



US00D477974S

(12) **United States Design Patent**
Chunn et al.

(10) **Patent No.:** **US D477,974 S**

(45) **Date of Patent:** **** Aug. 5, 2003**

- (54) **CORDLESS DRILL**
- (75) Inventors: **Daniel Alex Chunn**, Kowloon (HK);
David Wai Wah Ng, Yuen Long (HK)
- (73) Assignee: **One World Technologies Limited**
(BM)
- (**) Term: **14 Years**
- (21) Appl. No.: **29/151,651**
- (22) Filed: **Dec. 5, 2001**
- (51) **LOC (7) Cl.** **08-01**
- (52) **U.S. Cl.** **D8/68**
- (58) **Field of Search** D8/61, 62, 63,
D8/64, 65, 66, 67, 68, 69, 70; 81/57.11,
429, 464, 465, 466, 469, 489; 173/13, 169,
178, 213, 217; 227/8, 114, 120, 130, 136,
142; 310/50; 408/20, 124, 125, 234, 241 R;
451/358

- 6,045,303 A 4/2000 Chung
- D424,902 S 5/2000 Gildersleeve et al.
- D426,126 S 6/2000 Schultz
- D426,760 S 6/2000 Schultz
- D428,320 S 7/2000 Ohi et al.
- D431,766 S 10/2000 Zurwelle
- 6,152,639 A * 11/2000 Hsu 408/241 R
- D435,414 S 12/2000 Etter et al.
- D436,511 S 1/2001 Hayakawa et al.
- D437,759 S 2/2001 Breit et al.
- D447,032 S 8/2001 Schoen et al.
- 6,308,378 B1 10/2001 Mooty et al.
- 6,364,580 B1 * 4/2002 Dils et al. 408/241 R
- 6,401,837 B1 * 6/2002 Pan 173/178
- D460,574 S * 7/2002 Horowitz D8/68
- D460,673 S * 7/2002 Heun D8/68

OTHER PUBLICATIONS

Drills, Skil Power Tools & Accessories, c. 1995, p. 84.*
Drills with handles, DeWalt catalogue, c. 1998, p. 22.*

* cited by examiner

Primary Examiner—Doris V. Coles

Assistant Examiner—T. Chase Nelson

(74) *Attorney, Agent, or Firm*—Brooks & Kushman P.C.

(56) **References Cited**

U.S. PATENT DOCUMENTS

- 4,689,534 A 8/1987 Gerber et al.
- D295,141 S 4/1988 Hoshino et al.
- 4,820,090 A * 4/1989 Chen 408/241 R
- 5,049,012 A 9/1991 Cavado
- D326,598 S 6/1992 Sakamoto et al.
- D337,712 S 7/1993 Cavado
- D377,442 S 1/1997 Kikuchi
- 5,640,741 A 6/1997 Yano
- 5,690,451 A 11/1997 Thurler et al.
- D396,177 S * 7/1998 Schultz D8/68
- D396,789 S 8/1998 Murray
- D404,275 S 1/1999 Bunyea et al.
- D406,742 S 3/1999 Schoen et al.
- D409,467 S 5/1999 Chung
- D418,730 S 1/2000 Main
- D419,413 S 1/2000 Heun
- D420,877 S * 2/2000 Schultz D8/68
- D420,879 S 2/2000 Watson et al.
- D421,883 S 3/2000 Watson et al.

(57) **CLAIM**

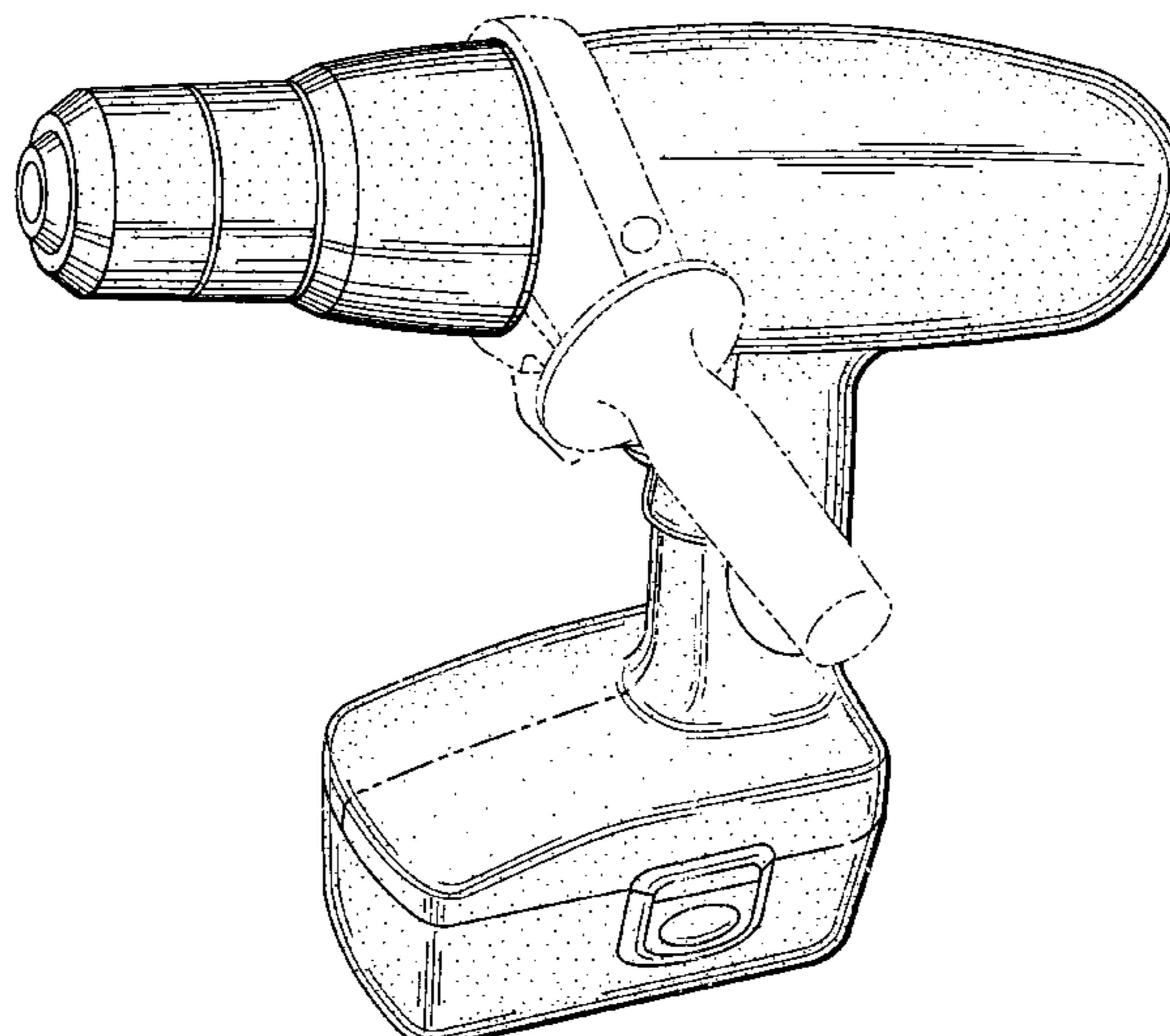
The ornamental design for a cordless drill, as shown and described.

DESCRIPTION

FIG. 1 is a perspective view of a cordless drill;
FIG. 2 is a left side elevational view thereof;
FIG. 3 is a right side elevational view thereof;
FIG. 4 is a front elevational view thereof;
FIG. 5 is a rear elevational view thereof;
FIG. 6 is a top plan view thereof; and,
FIG. 7 is a bottom plan view of the present invention.

No claim is made to the portions of the cordless drill illustrated in phantom outline.

1 Claim, 4 Drawing Sheets



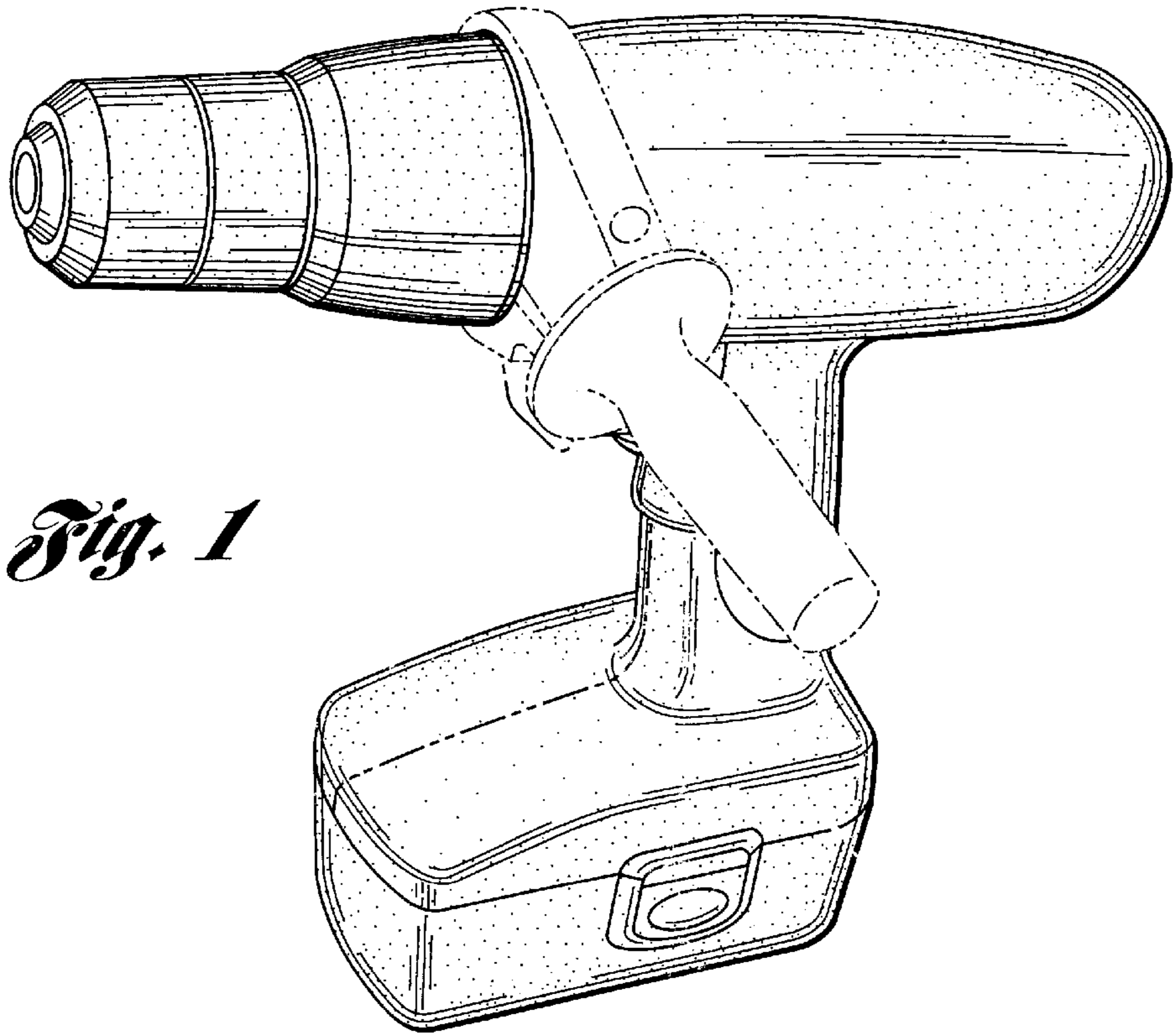


Fig. 1

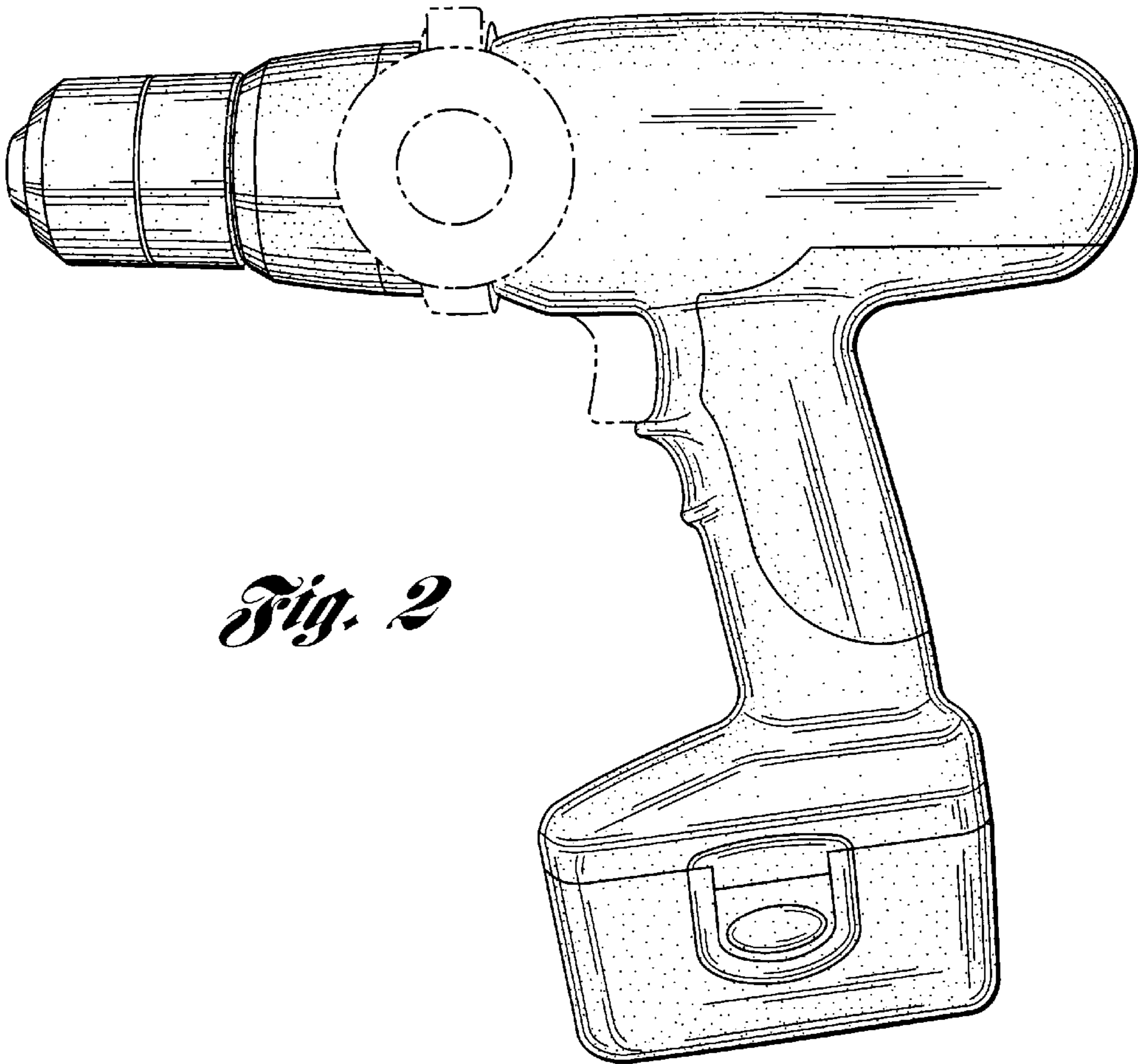


Fig. 2

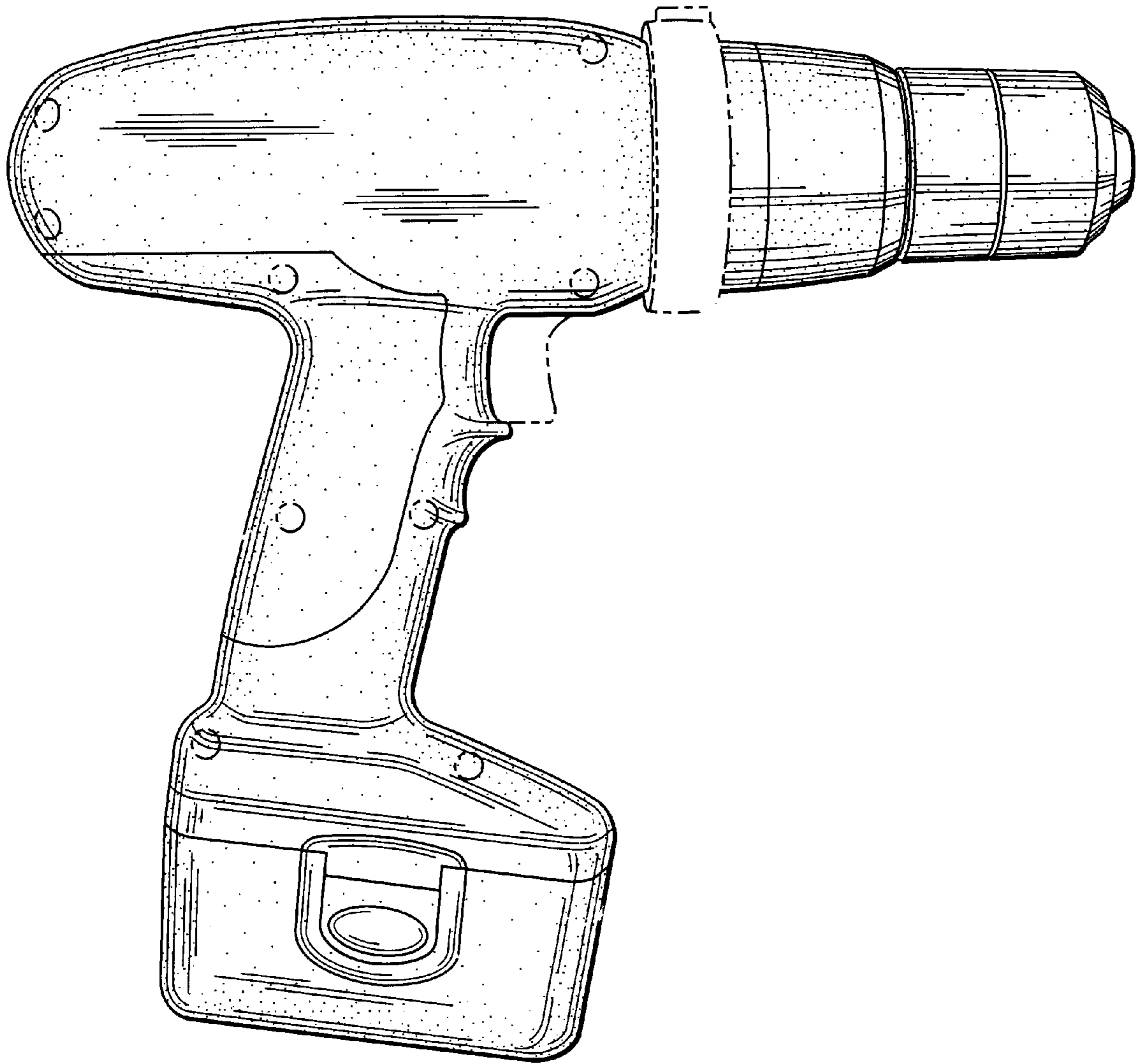


Fig. 3

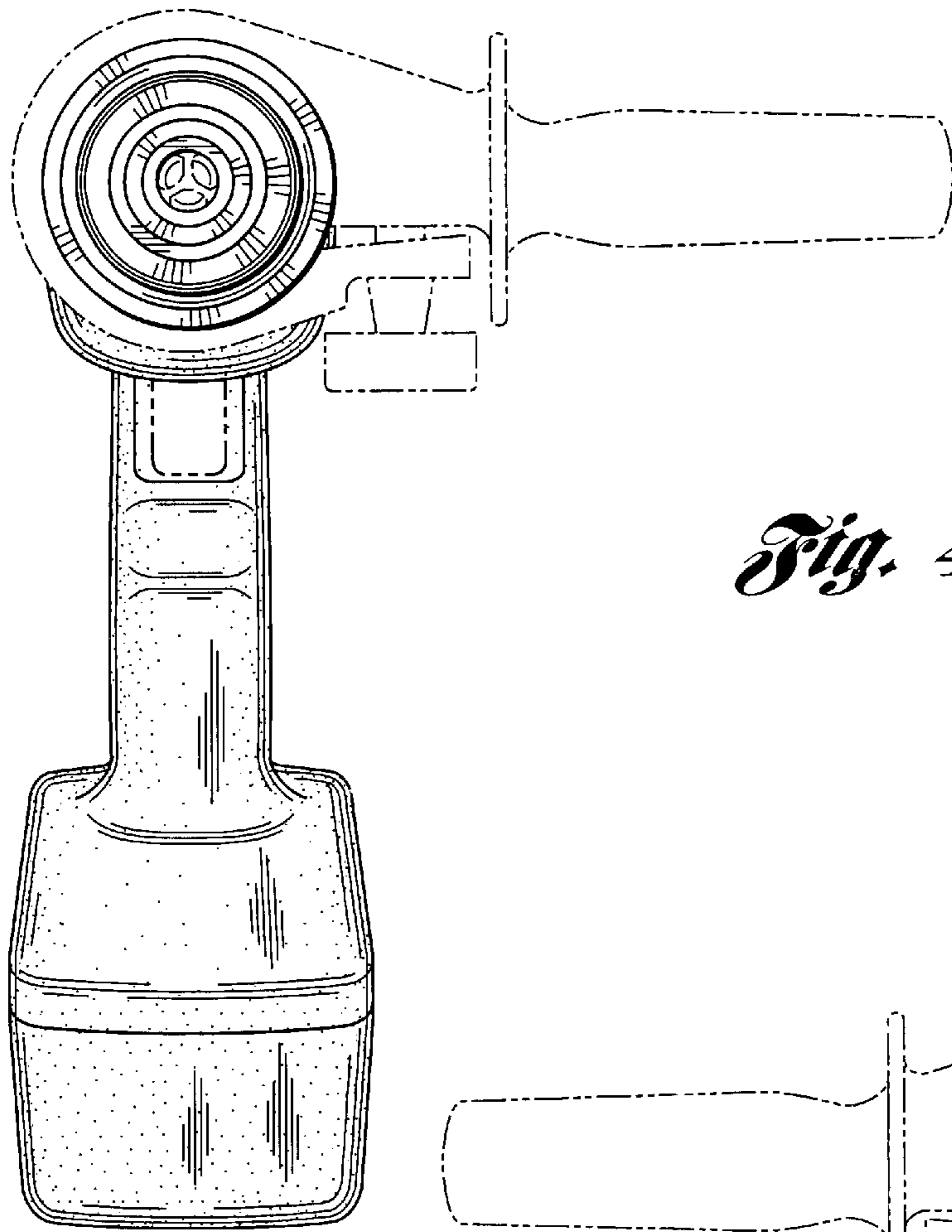


Fig. 4

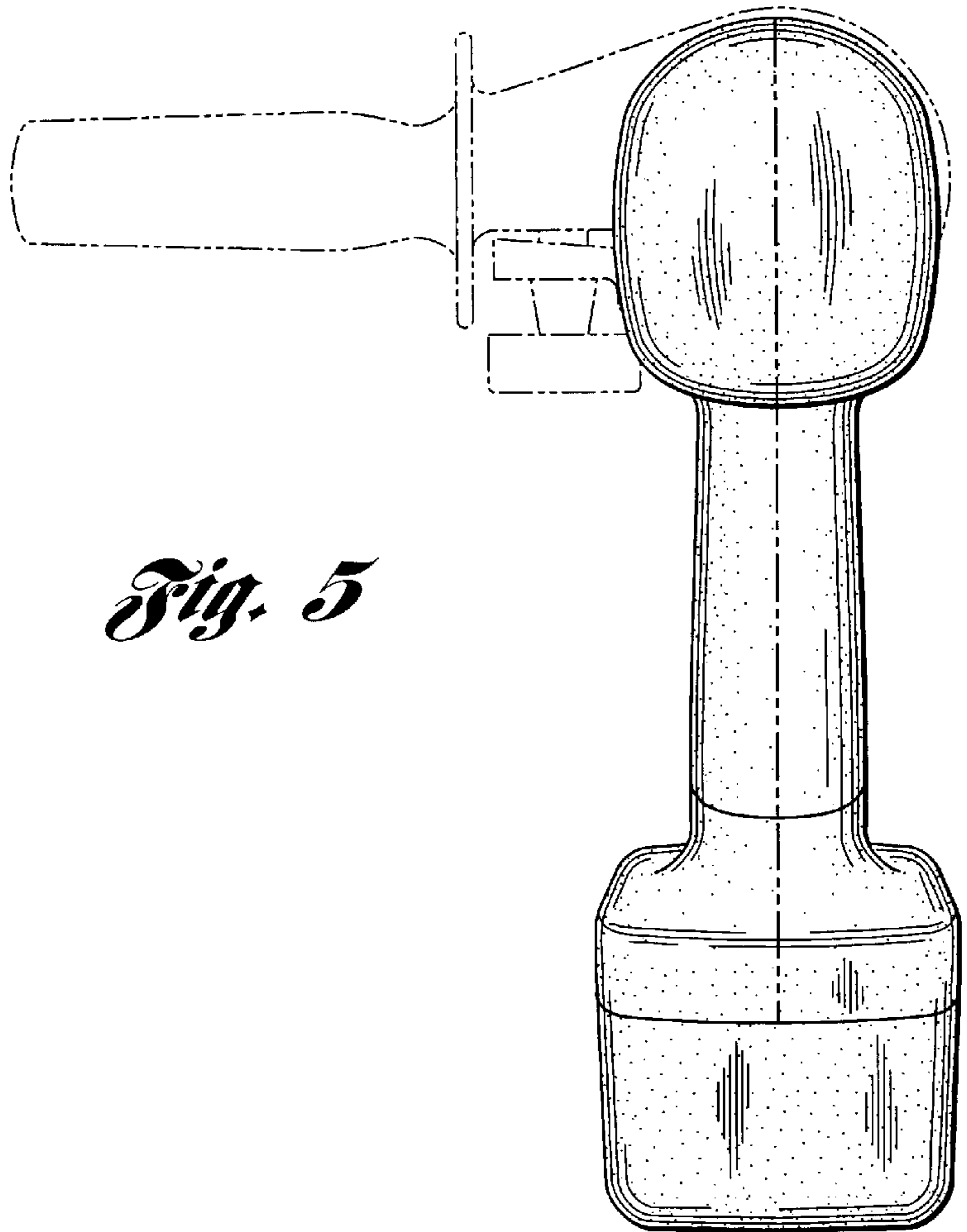


Fig. 5

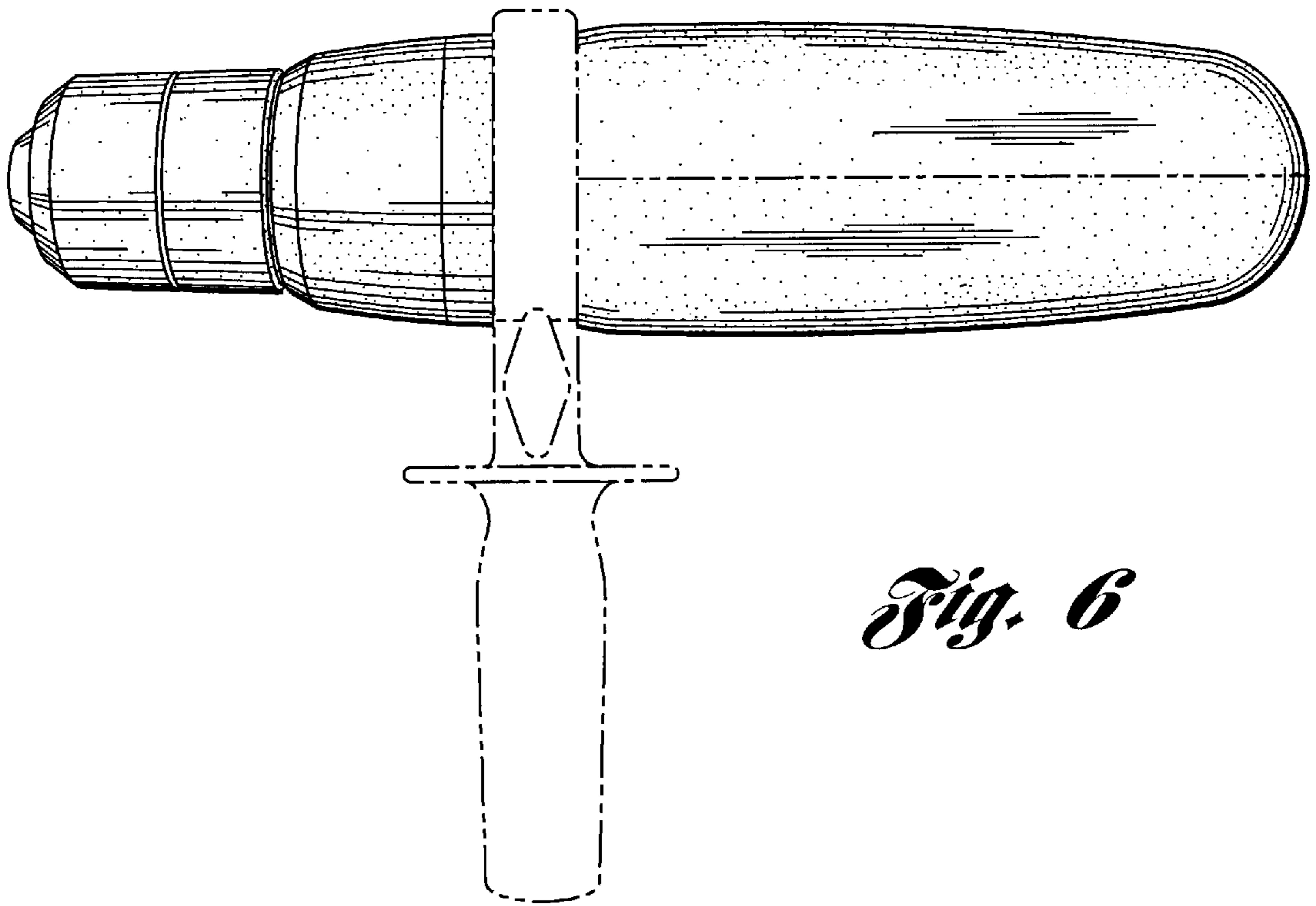


Fig. 6

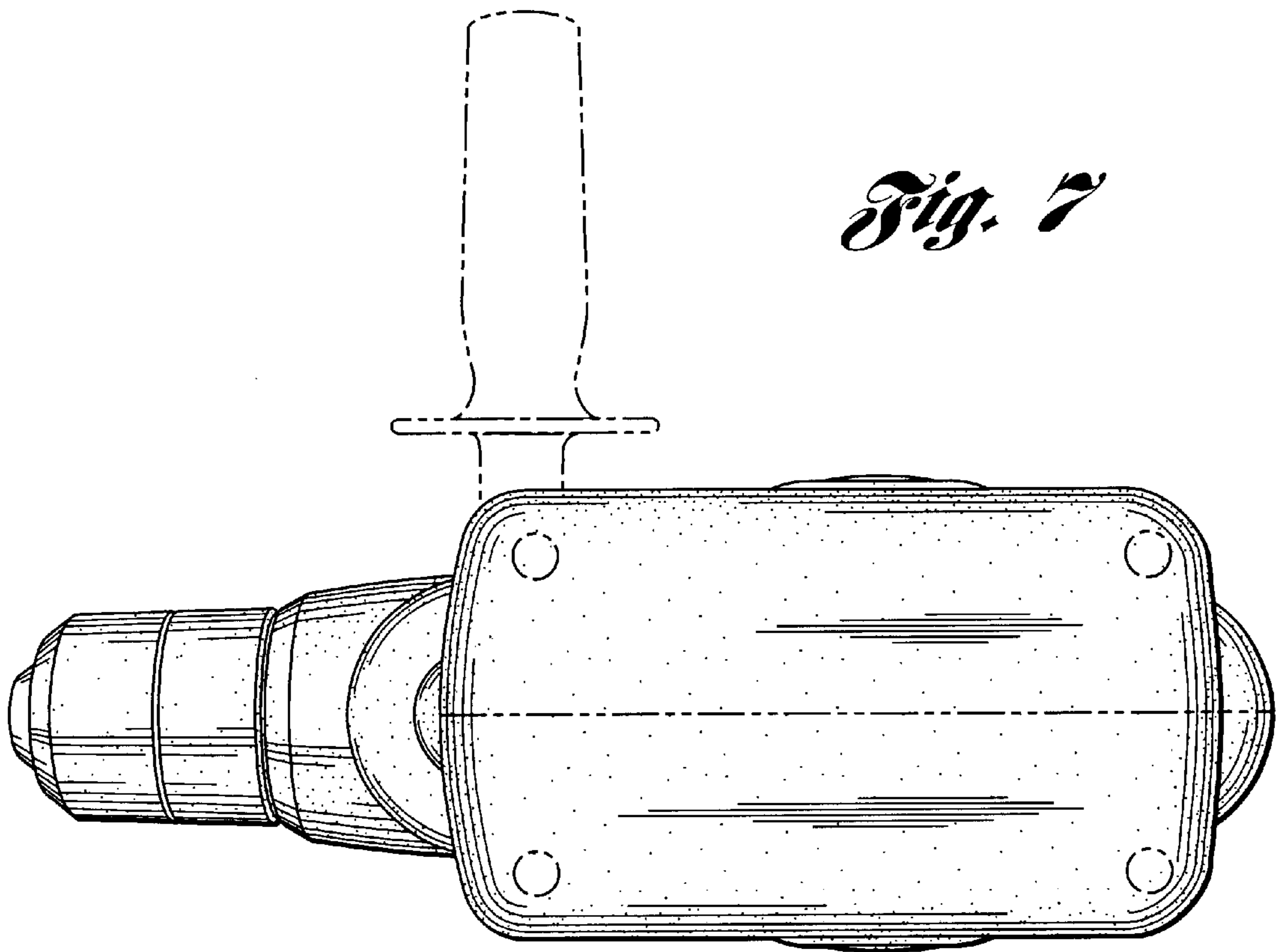


Fig. 7