



US00D477973S

(12) **United States Design Patent**
Yu

(10) **Patent No.:** **US D477,973 S**

(45) **Date of Patent:** **** Aug. 5, 2003**

(54) **CORKSCREW**

D467,479 S * 12/2002 Li D8/39

D468,602 S * 1/2003 Yu D8/39

D471,777 S * 3/2003 Yu D8/39

(75) Inventor: **Kwok Leung Yu, Kwai Chung (HK)**

(73) Assignee: **Ko Fung Products Industrial Limited,**
New Territories (HK)

* cited by examiner

Primary Examiner—Caron D. Veynar

(**) Term: **14 Years**

(74) *Attorney, Agent, or Firm*—Rabin & Berdo, P.C.

(21) Appl. No.: **29/169,963**

(57) **CLAIM**

(22) Filed: **Oct. 30, 2002**

The ornamental design for a corkscrew, as shown and described.

(51) **LOC (7) Cl.** **07-99**

DESCRIPTION

(52) **U.S. Cl.** **D8/39**

(58) **Field of Search** D8/33-43; 7/151-156;
30/400-450; 81/3.07-3.49

FIG. 1 is a front view of a corkscrew showing my new design;

FIG. 2 is a rear view thereof;

FIG. 3 is a right side view thereof;

FIG. 4 is a left side view thereof;

FIG. 5 is a top view thereof;

FIG. 6 is a bottom view thereof;

FIG. 7 is a perspective view thereof; and,

FIG. 8 is a front perspective view with parts in alternative position.

(56) **References Cited**

U.S. PATENT DOCUMENTS

D415,667 S * 10/1999 de Bergen D8/42

D430,994 S * 9/2000 Kilduff D8/39

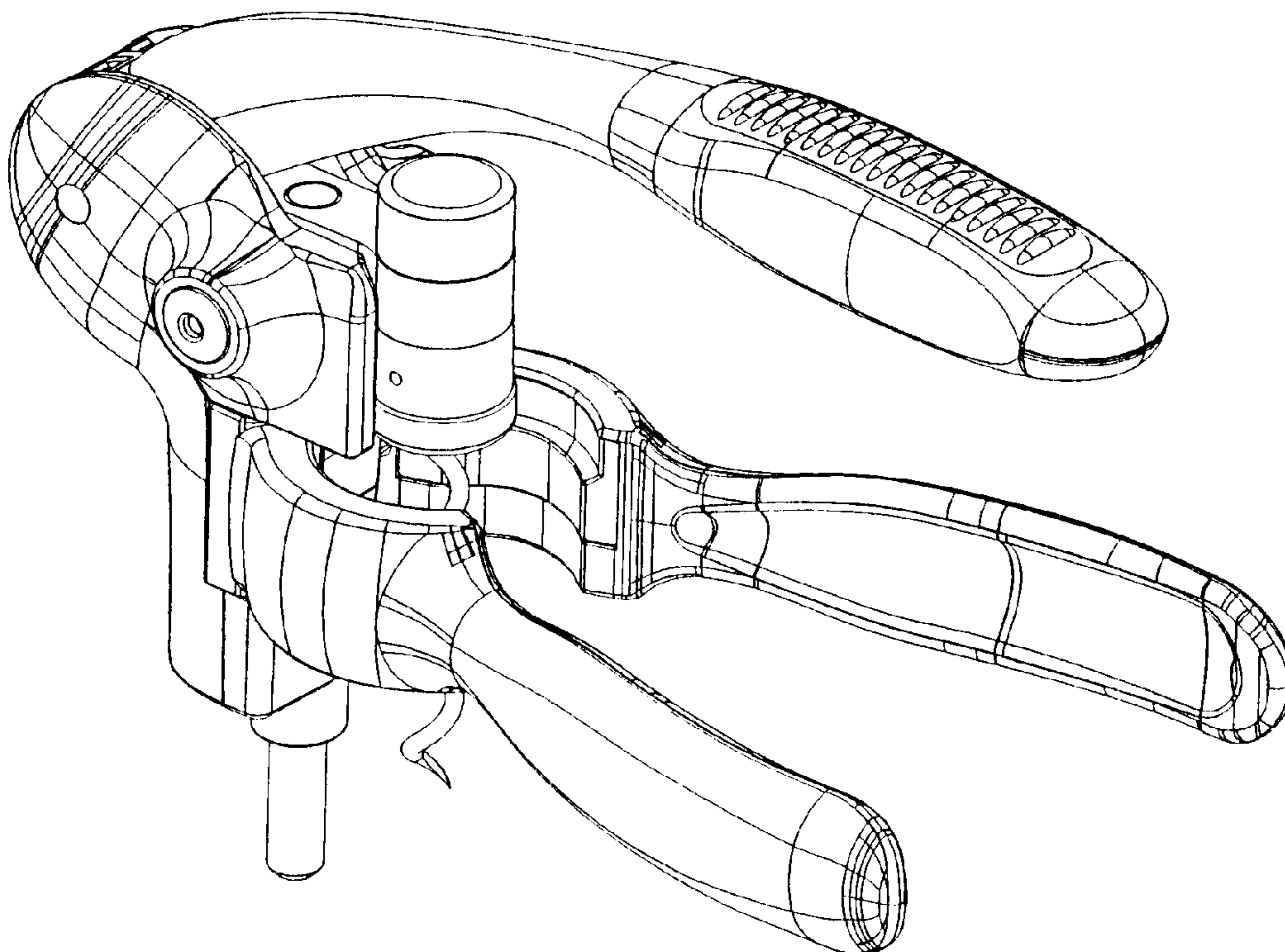
D444,045 S * 6/2001 Kay D8/39

D446,098 S * 8/2001 Kilduff D8/39

D465,710 S * 11/2002 Kao D8/39

D467,141 S * 12/2002 Li D8/39

1 Claim, 4 Drawing Sheets



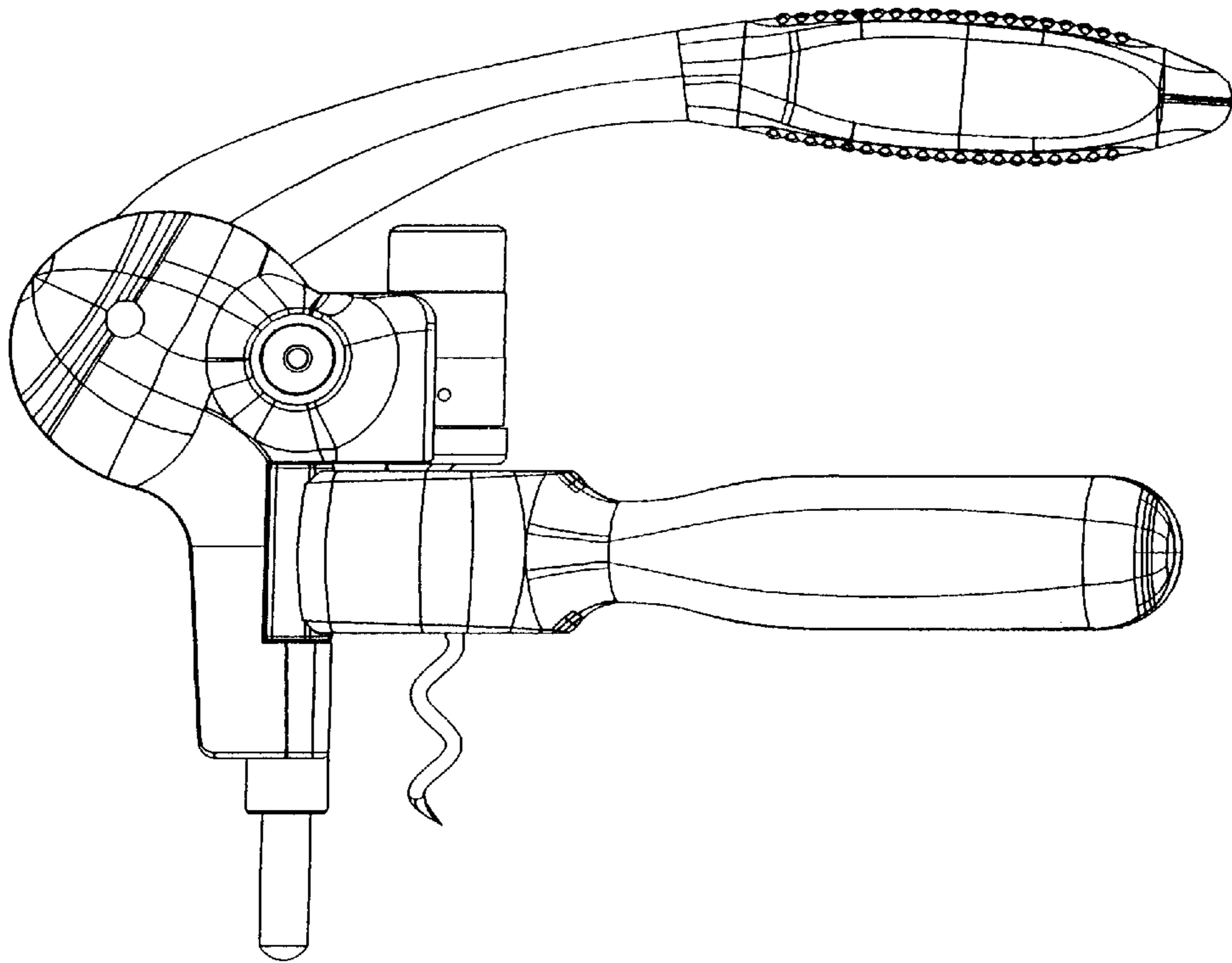


FIG. 1

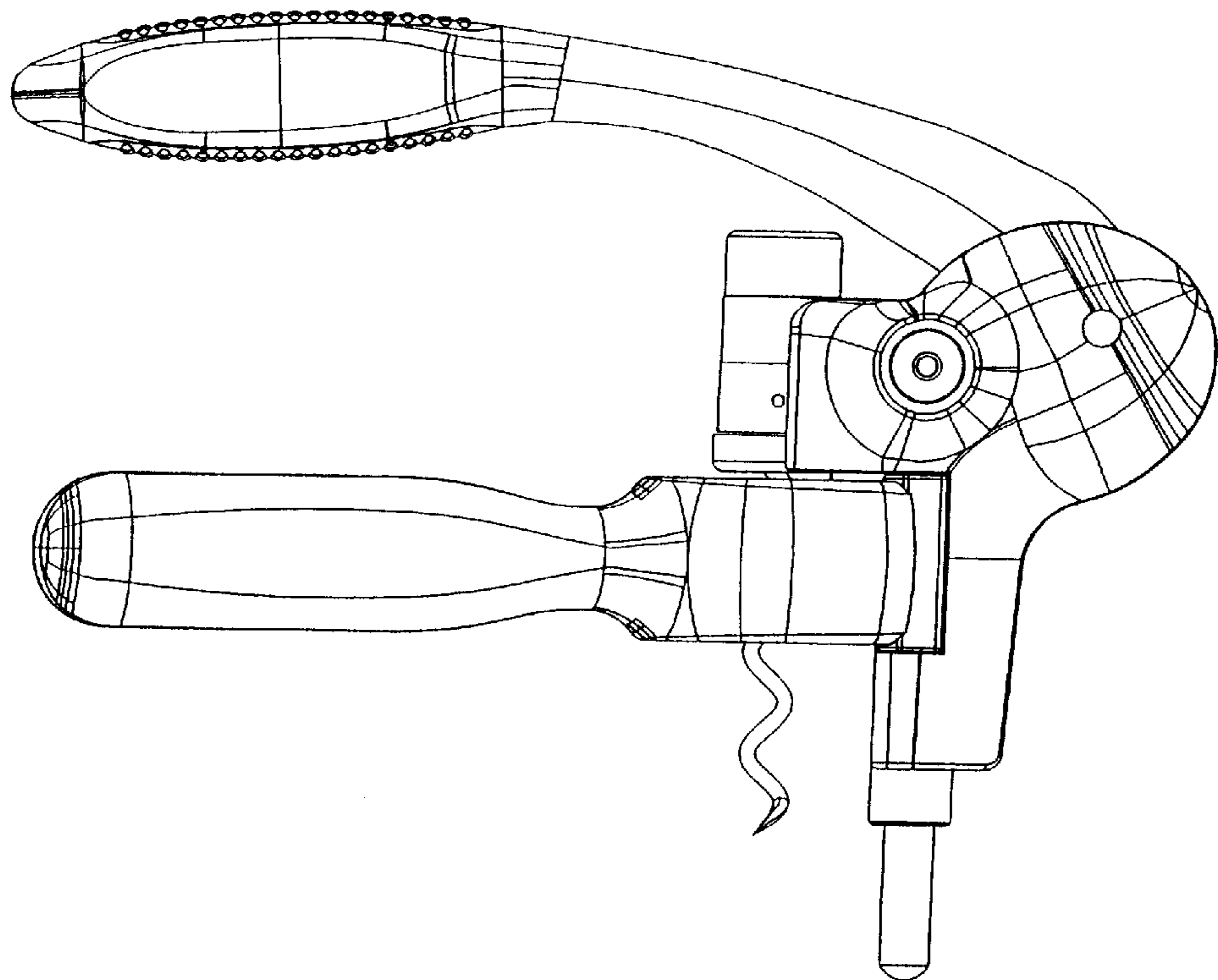


FIG. 2

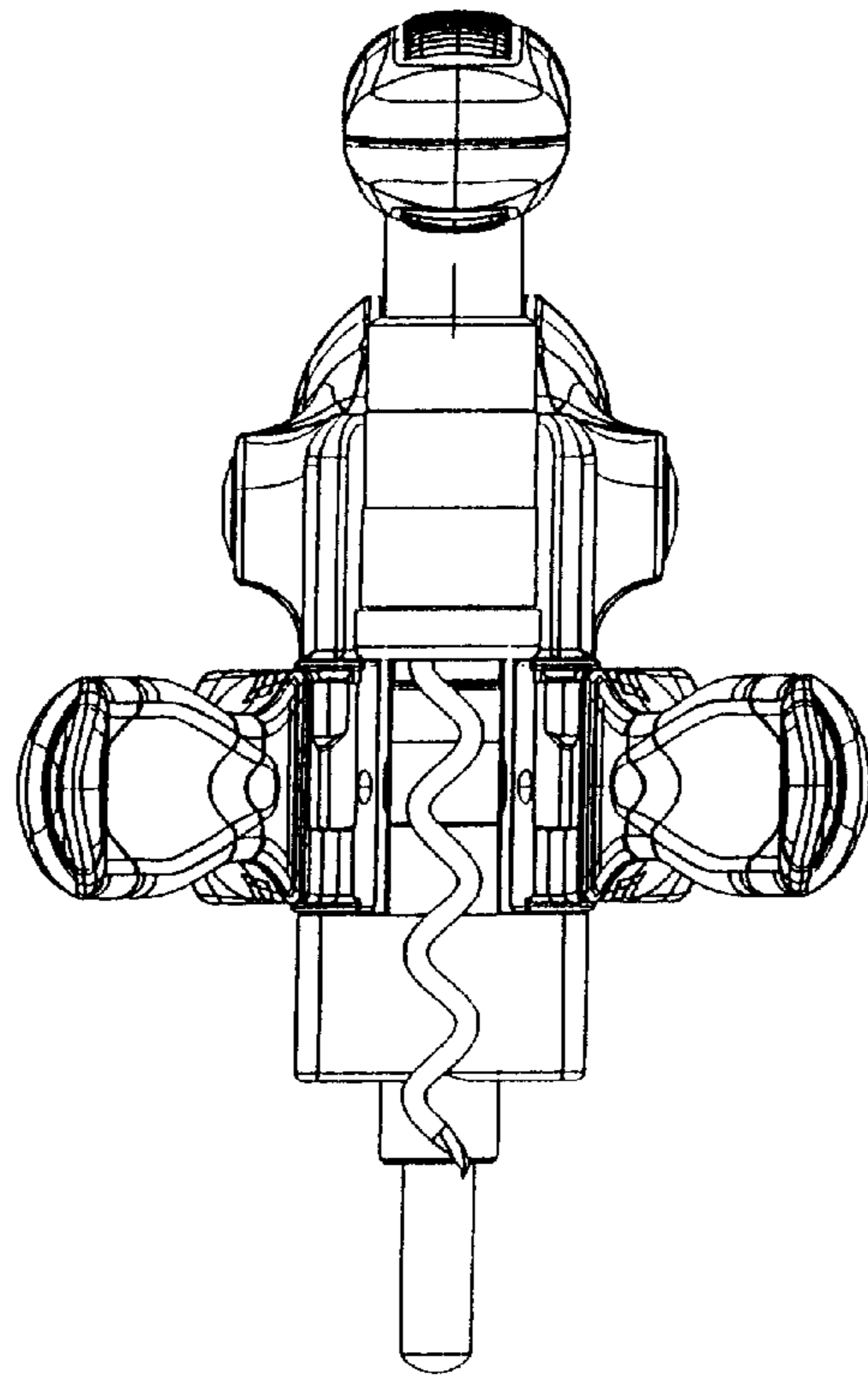


FIG. 3

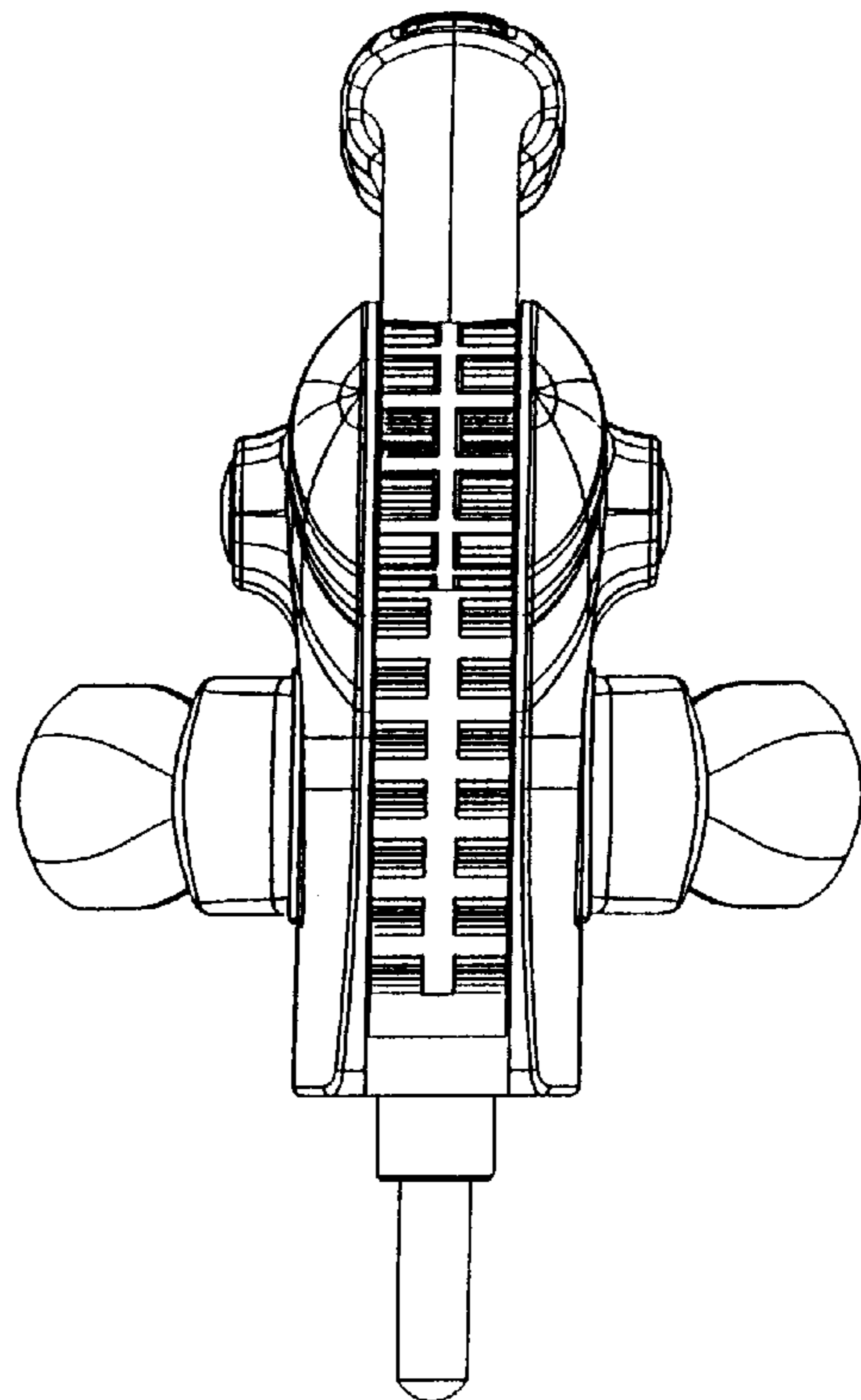


FIG. 4

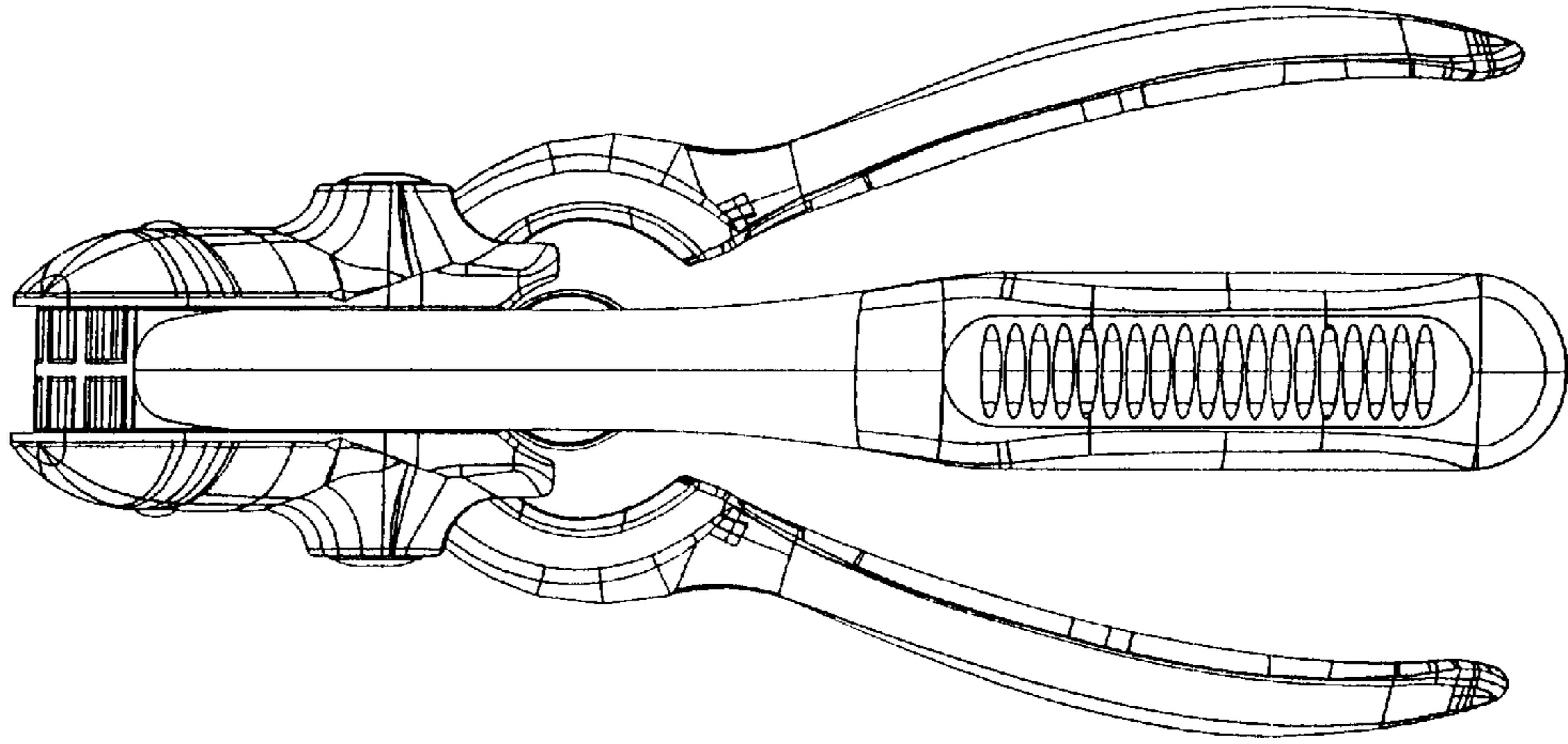


FIG. 5

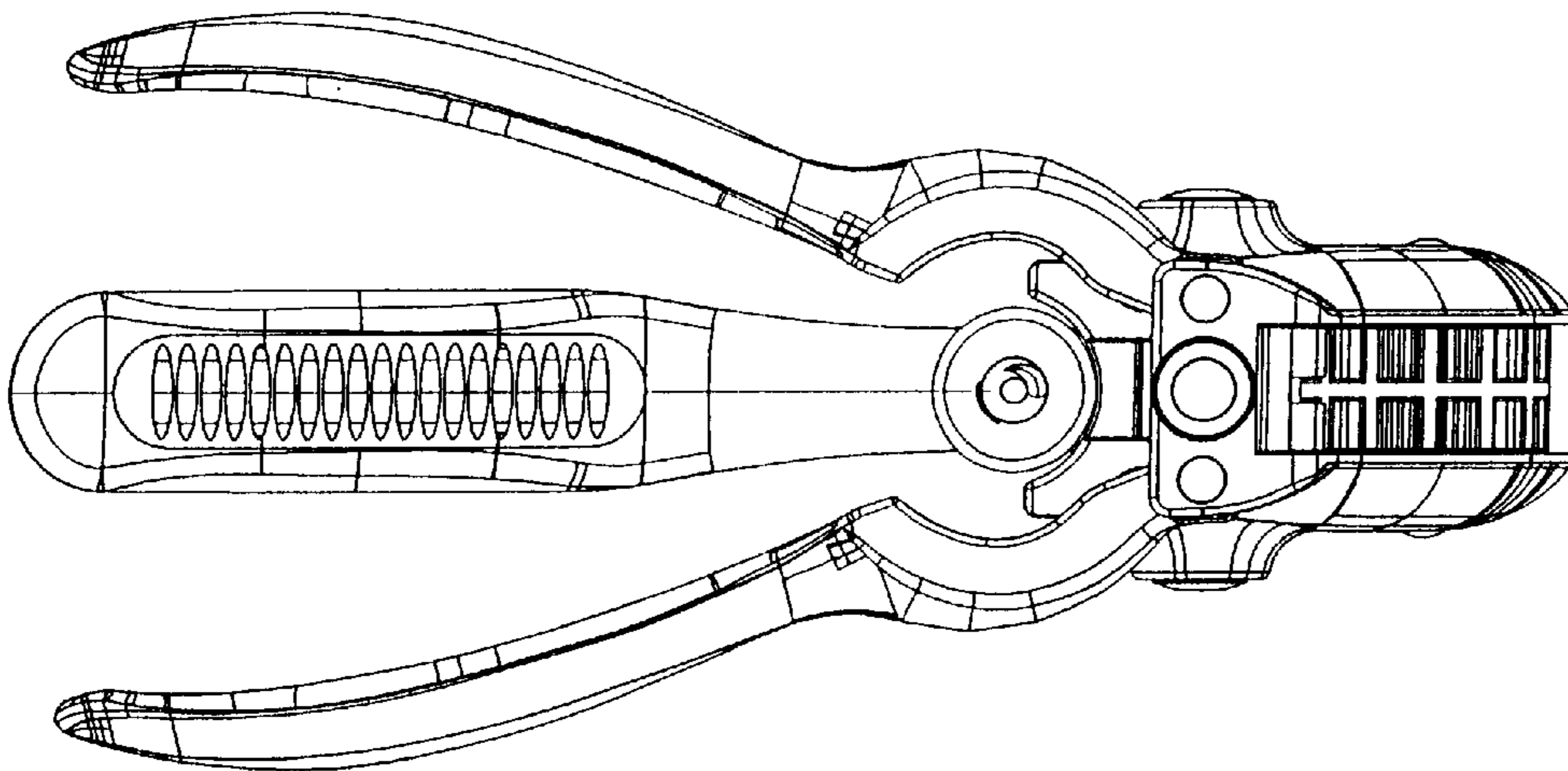


FIG. 6

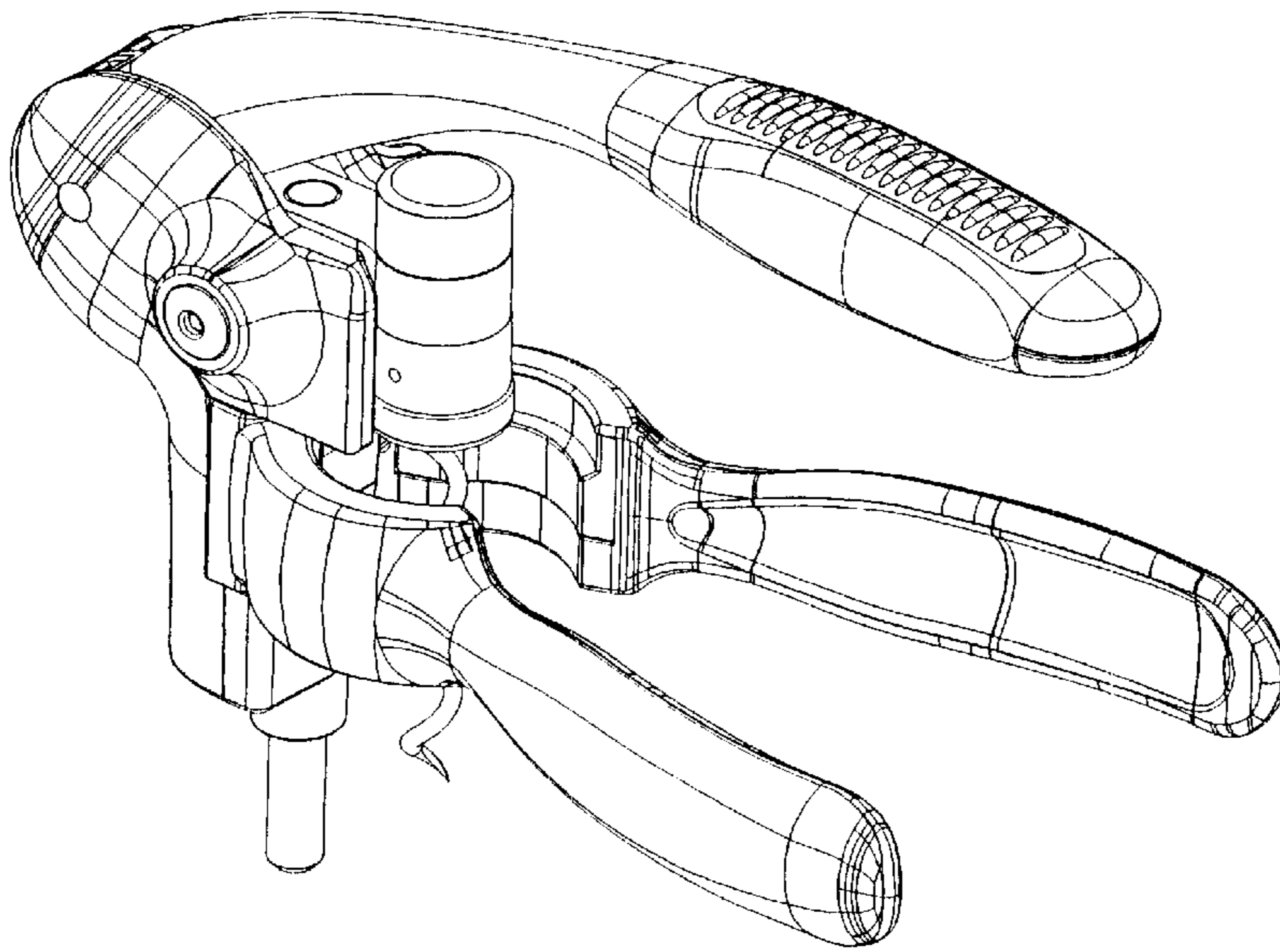


FIG. 7

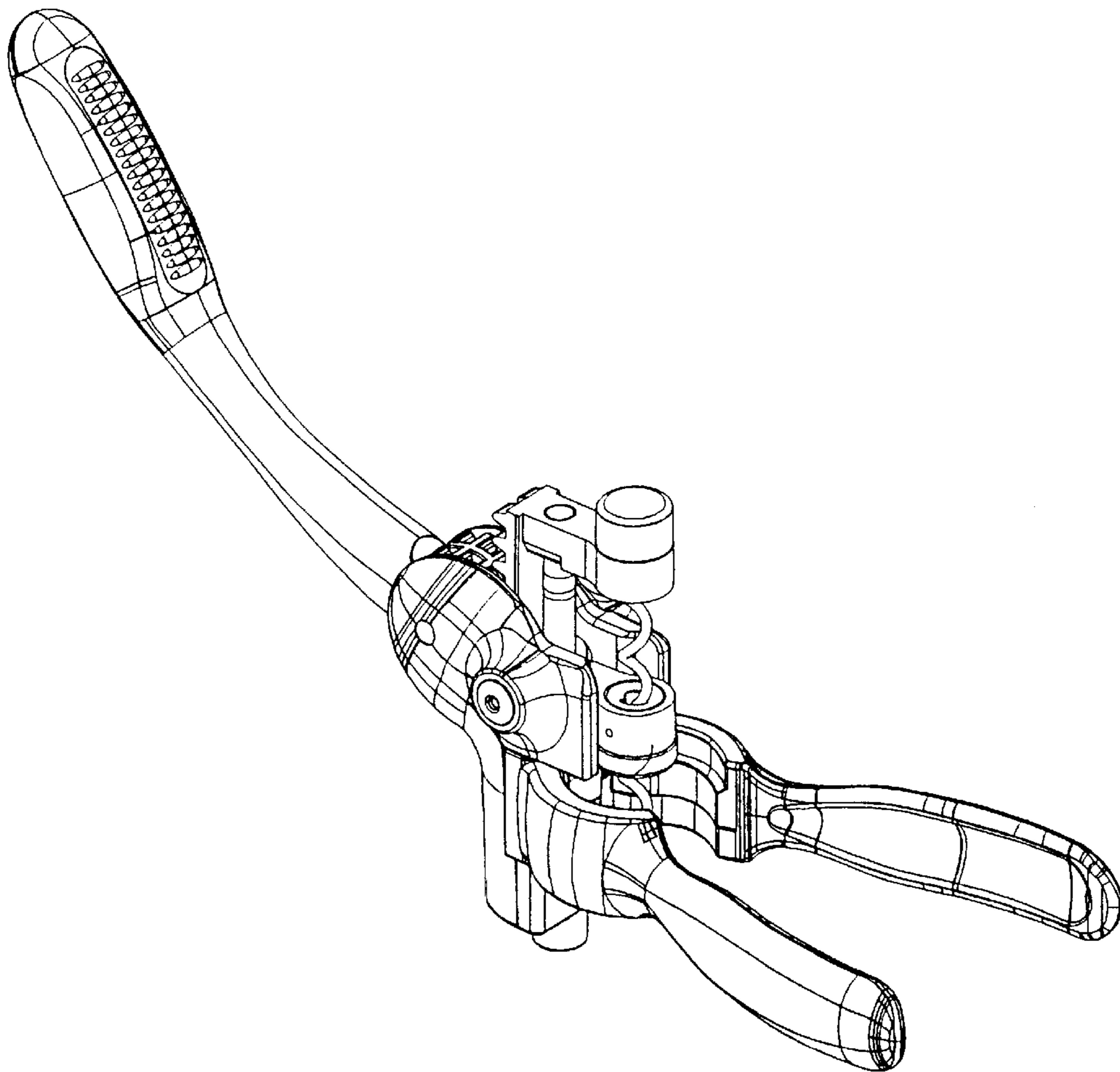


FIG. 8