



US00D477969S

(12) **United States Design Patent**  
**Griffin et al.**

(10) **Patent No.:** **US D477,969 S**

(45) **Date of Patent:** **\*\* Aug. 5, 2003**

(54) **CONTAINER FOR PREPARATION OF SAUCE-COVERED CHICKEN WINGS**

(75) Inventors: **James J. Griffin**, Syracuse, NY (US);  
**Robert W. Coffey, Jr.**, Hastings, NY (US)

(73) Assignee: **R.J. Product Solutions, Inc.**, Syracuse, NY (US)

(\*\*) Term: **14 Years**

(21) Appl. No.: **29/175,062**

(22) Filed: **Jan. 29, 2003**

(51) **LOC (7) Cl.** ..... **07-01**

(52) **U.S. Cl.** ..... **D7/540; D7/542; D7/545; D7/354**

(58) **Field of Search** ..... D7/543, 545, 538, D7/566, 540, 542, 558, 584, 354, 360, 356, 629, 501, 608, 605; 99/497, 339; D11/152; 219/436; 220/574.4, 574; 206/524.1

(56) **References Cited**

**U.S. PATENT DOCUMENTS**

D153,999 S	*	5/1949	Ulvad	.....	D7/540 X
D171,803 S	*	3/1954	Lawrence, Jr.	.....	D7/540
D176,822 S	*	1/1956	Sacia et al.	.....	D7/540
D184,760 S	*	3/1959	Ostrowsky	.....	D7/538
D221,177 S	*	7/1971	Wong	.....	D7/540
D230,811 S	*	3/1974	Cheyne	.....	D7/354
D253,574 S	*	12/1979	Anderson, Jr.	.....	D7/356
D254,416 S	*	3/1980	Abbate	.....	D7/584
D257,713 S	*	12/1980	Korach	.....	D7/540

D259,009 S	*	4/1981	Connolly et al.	.....	D7/538
D272,504 S	*	2/1984	Angelakos	.....	D7/540
D276,398 S	*	11/1984	Conti et al.	.....	D7/540
D286,124 S	*	10/1986	Dempsey	.....	D7/501
D309,690 S	*	8/1990	Carlson	.....	D7/629
D345,716 S	*	4/1994	Kwiatkowski	.....	D11/152
5,511,466 A	*	4/1996	Dzibinski	.....	99/339
D380,124 S	*	6/1997	Kato et al.	.....	D7/605
D435,197 S	*	12/2000	Wellner	.....	D7/558
D445,647 S	*	7/2001	Ciesko et al.	.....	D7/542
D450,219 S	*	11/2001	Smith	.....	D7/538
D465,973 S	*	11/2002	Dritlein, Jr.	.....	D7/566
D471,757 S	*	3/2003	Kitamura et al.	.....	D7/360

\* cited by examiner

*Primary Examiner*—M. N. Pandozzi

(74) *Attorney, Agent, or Firm*—Bernhard P. Molldrem, Jr.

(57) **CLAIM**

The ornamental design for container for preparation of sauce-covered chicken wings, as shown and described.

**DESCRIPTION**

FIG. 1 is a perspective view of a vessel or container for coating fried chicken wings with sauce, showing a lower bowl and an interfitting upper lid, embodying our new design.

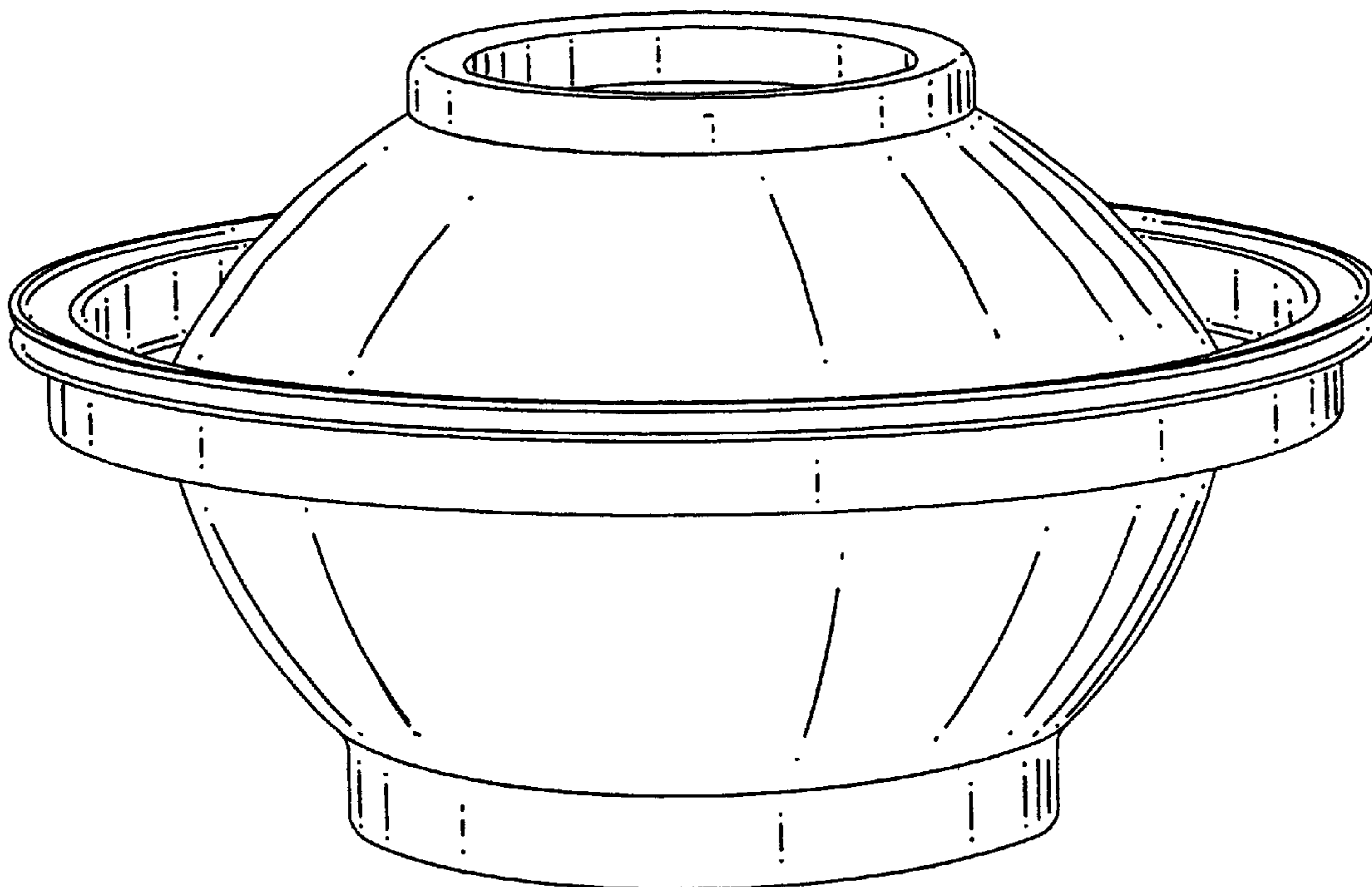
FIG. 2 is a front elevational view thereof, other elevational views being substantially identical.

FIG. 3 is a top plan view thereof.

FIG. 4 is a bottom plan view thereof; and,

FIG. 5 is a cross-sectional view taken along line 5—5 of FIG. 3.

**1 Claim, 3 Drawing Sheets**



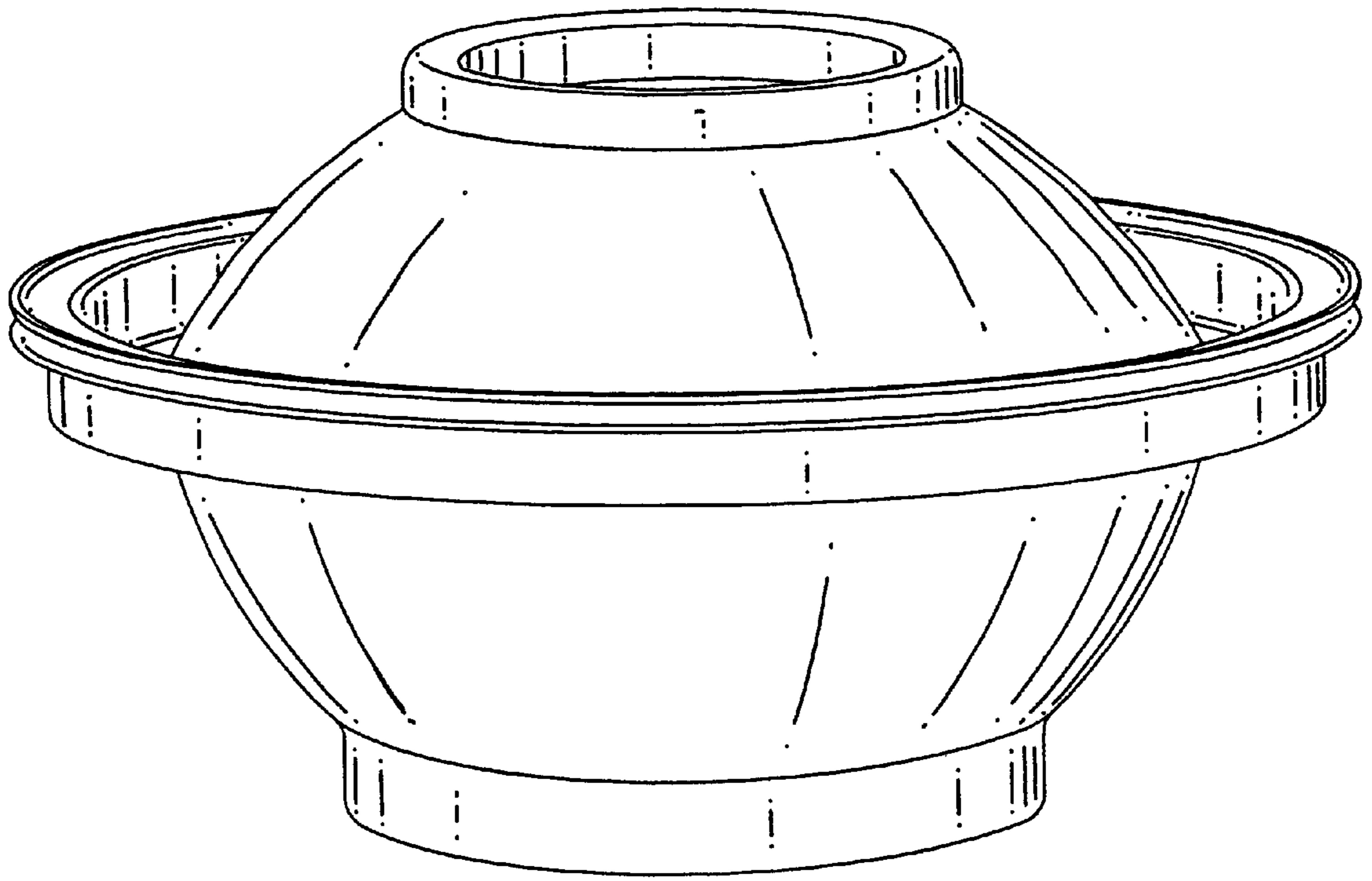


FIG.1

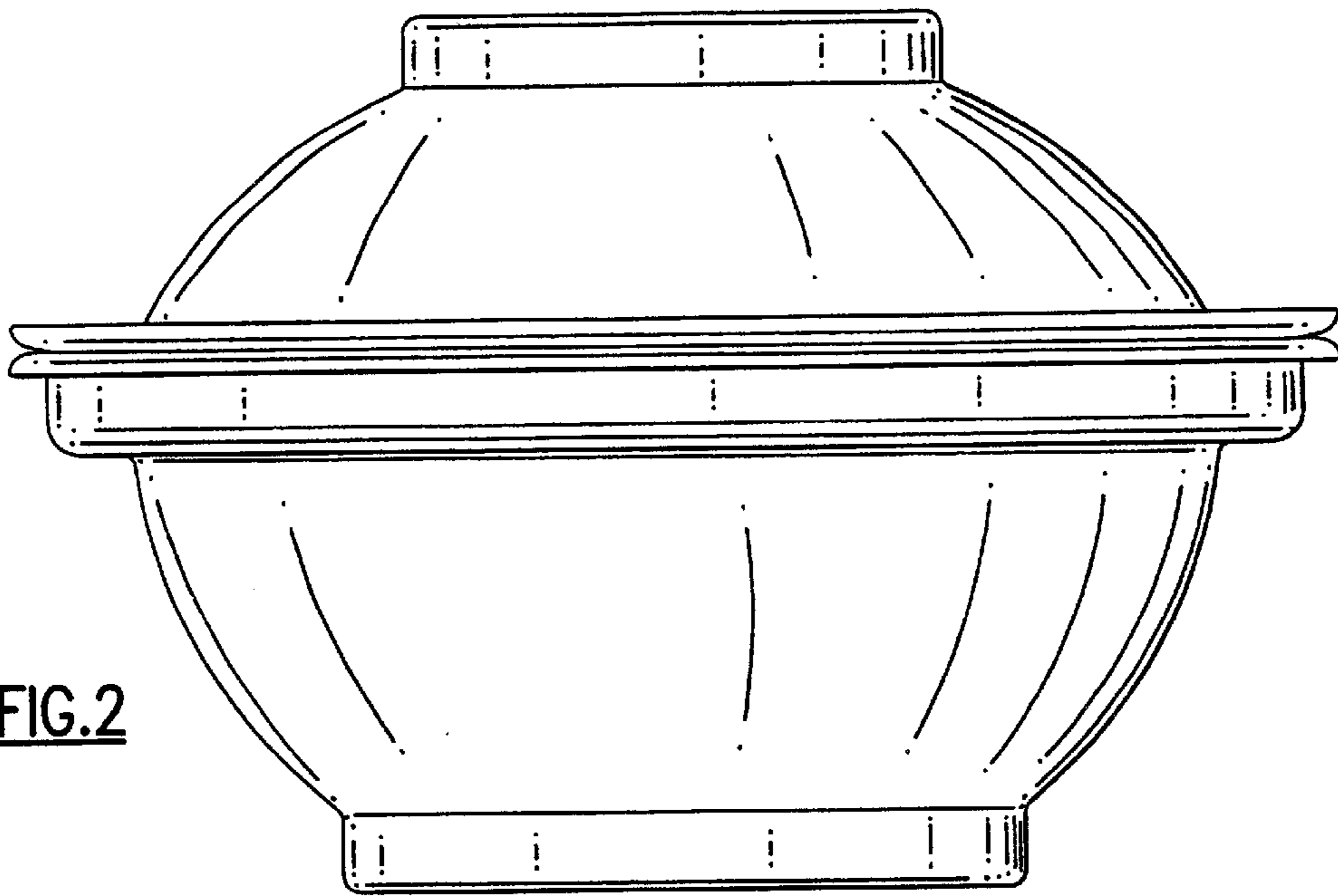


FIG. 2

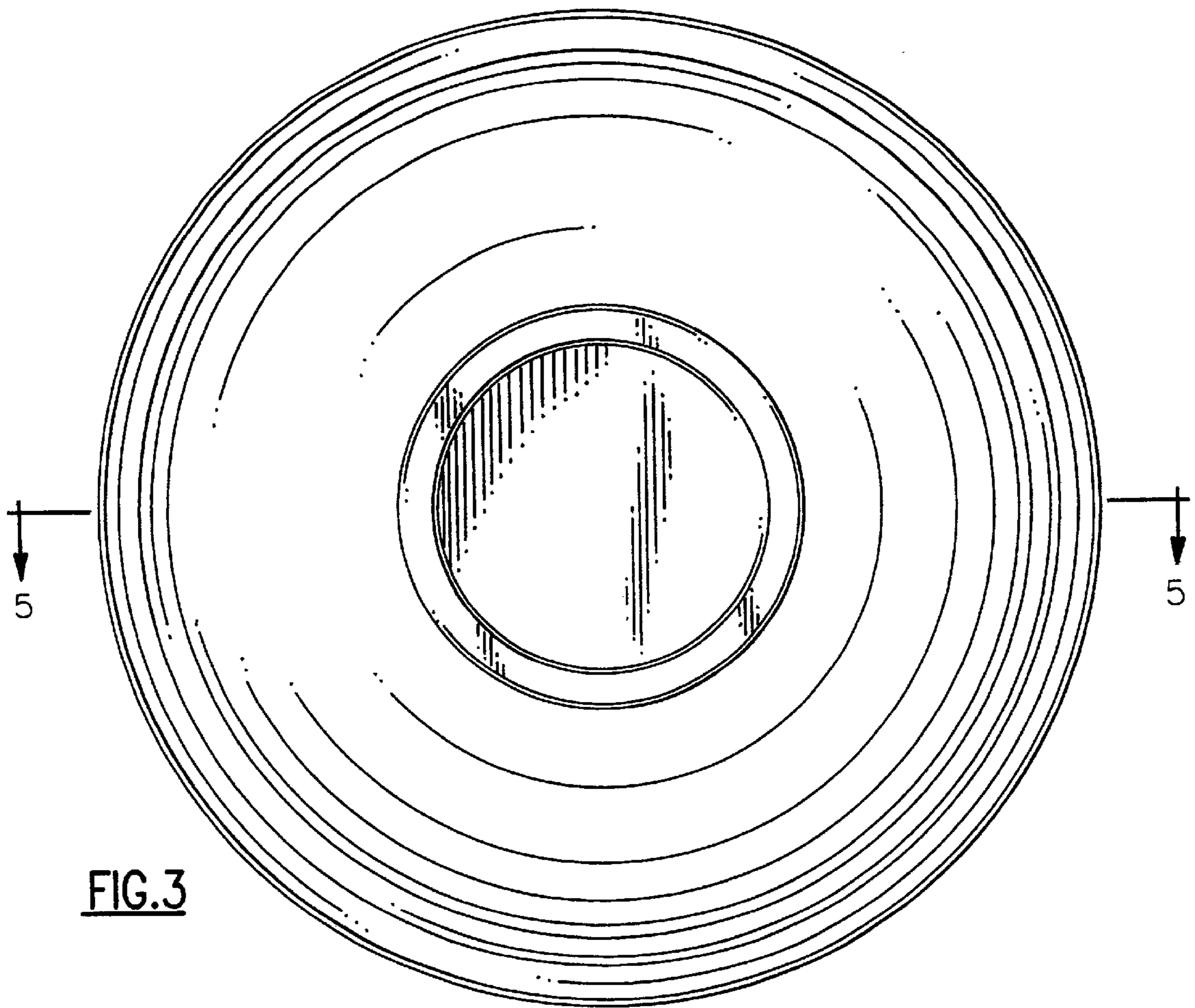


FIG. 3

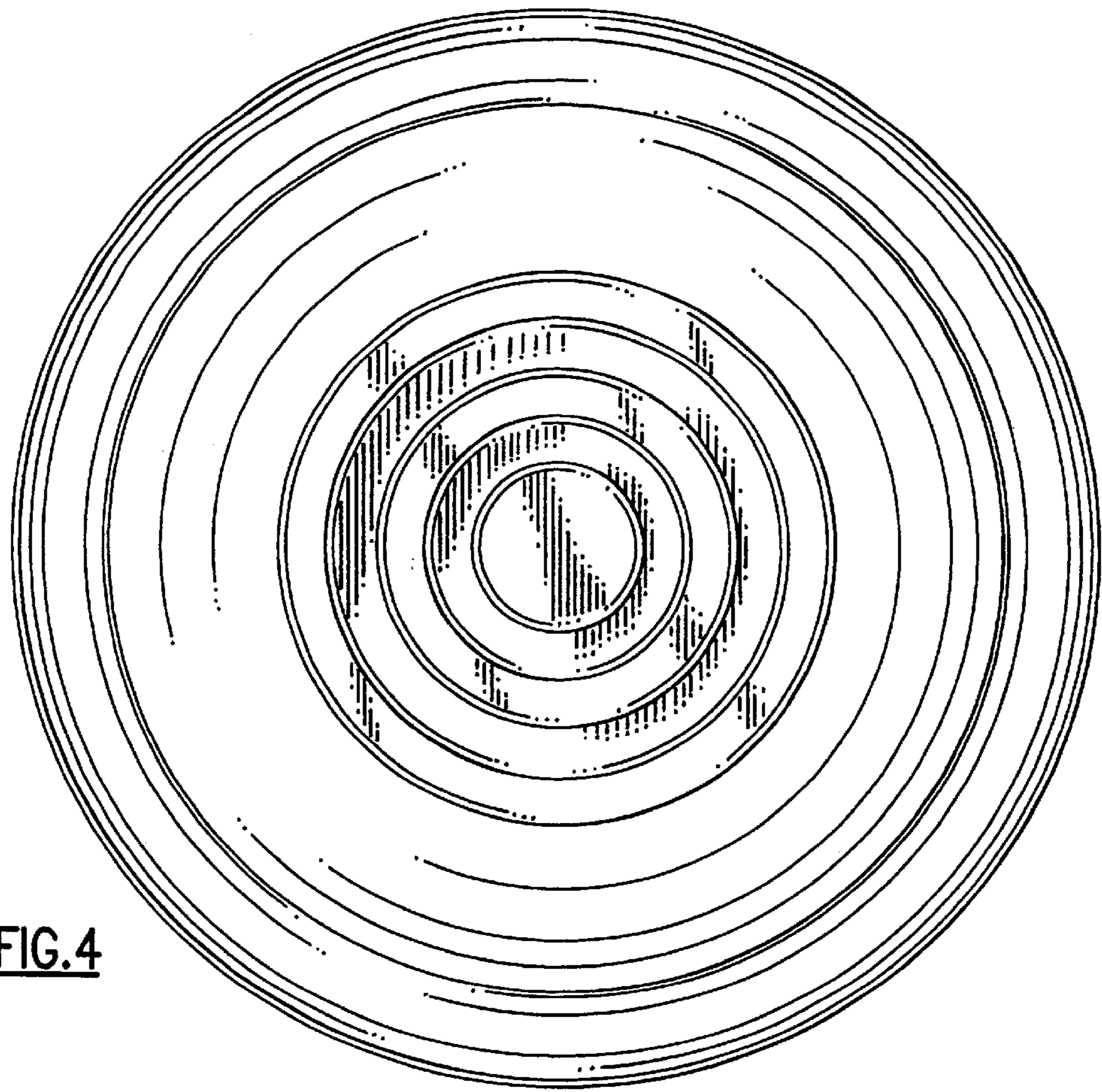


FIG. 4

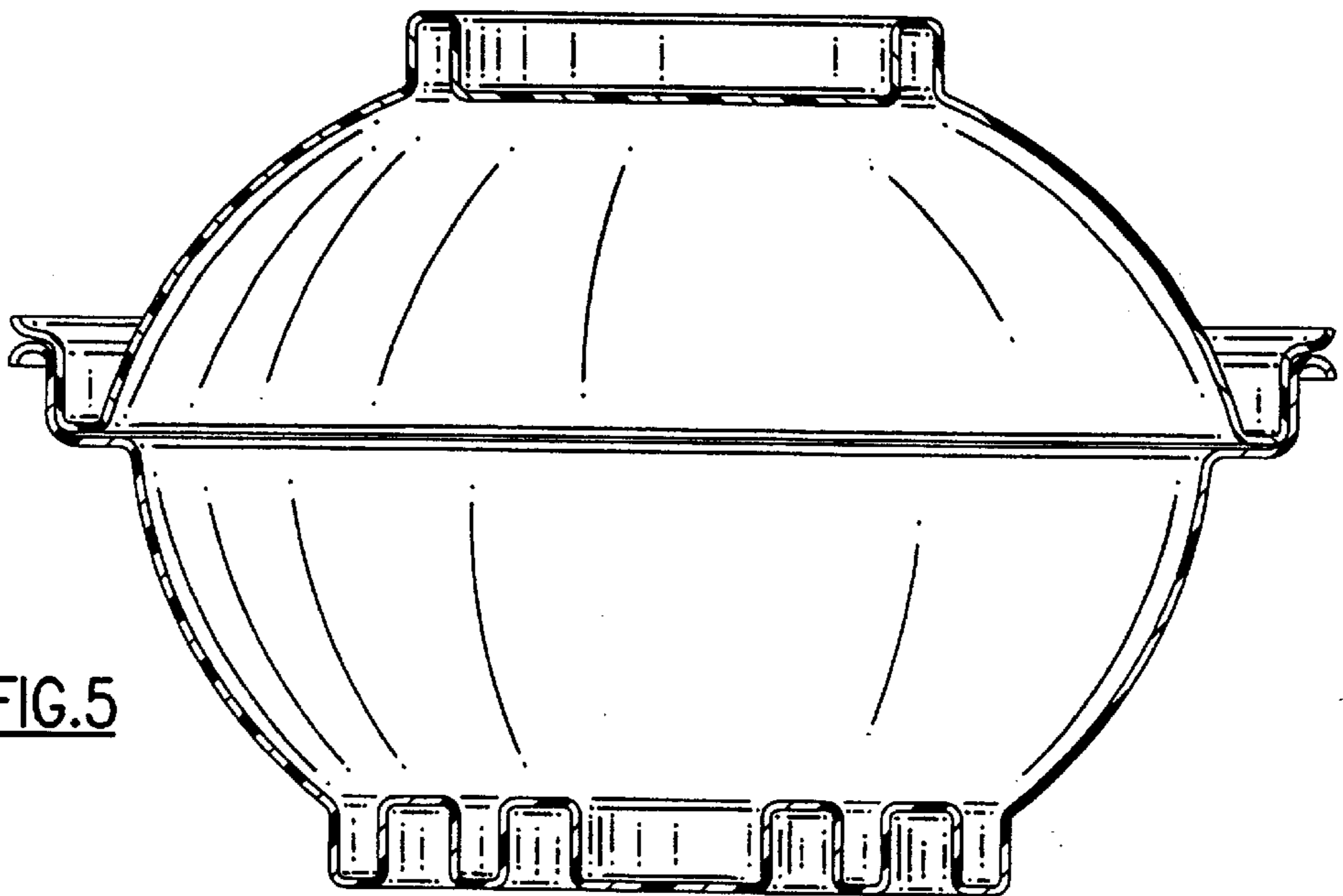


FIG. 5