



US00D477966S

(12) **United States Design Patent**
Burton et al.

(10) **Patent No.: US D477,966 S**
(45) **Date of Patent: ** Aug. 5, 2003**

(54) **SKILLET HANDLE**
(75) Inventors: **Maximillian Philip Burton**, New York, NY (US); **Philipp Refior**, Brooklyn, NY (US)

(73) Assignee: **World Kitchen, Inc.**, Elmira, NY (US)
(**) Term: **14 Years**

(21) Appl. No.: **29/162,586**

(22) Filed: **Jun. 18, 2002**

(51) **LOC (7) Cl. 07-02**

(52) **U.S. Cl. D7/395**

(58) **Field of Search** D7/393-395, 401.2, D7/354-361; D8/107; 16/110.1, 430, 431, 436, 441, 444; 220/759, 770, 771, 912

(56) **References Cited**

U.S. PATENT DOCUMENTS

- 2,241,064 A 5/1941 Harbison
- D138,011 S * 6/1944 Chapman et al. D7/395
- 2,867,352 A 1/1959 Kawano
- 3,598,105 A 8/1971 Cristaldi
- 3,736,917 A 6/1973 Stepanek
- 3,797,694 A 3/1974 See et al.
- 3,937,359 A 2/1976 Stockton, Jr.
- 4,285,441 A 8/1981 Ziskind
- 4,390,113 A 6/1983 Bird
- 4,670,398 A 6/1987 Song
- 4,680,829 A * 7/1987 Baumgarten 220/759
- 4,736,867 A 4/1988 Feimer et al.
- 4,917,262 A 4/1990 Mita
- 4,926,521 A * 5/1990 Gagnepain 16/430 X
- 5,065,889 A 11/1991 Conti
- 5,201,264 A 4/1993 Thelen et al.
- 5,265,749 A 11/1993 Zutler
- 5,387,781 A 2/1995 Berkoff

- 5,388,732 A 2/1995 Greger
- D377,883 S * 2/1997 Candianides D7/354
- 5,622,274 A 4/1997 Bright
- 5,653,881 A 8/1997 Bruss et al.
- 5,724,885 A 3/1998 Uy
- RE36,072 E 2/1999 Uy
- 6,006,939 A 12/1999 Wai
- 6,244,251 B1 6/2001 Wada et al.
- 6,298,681 B1 10/2001 Esty et al.
- 6,307,193 B1 10/2001 Toole

OTHER PUBLICATIONS

Website, www.goldaskichen.com, 2 pp.
Website, www.thekitchennook.com, 1 page.

* cited by examiner

Primary Examiner—Terry A. Wallace
(74) *Attorney, Agent, or Firm*—Wolf, Greenfield & Sacks, P.C.

(57) **CLAIM**

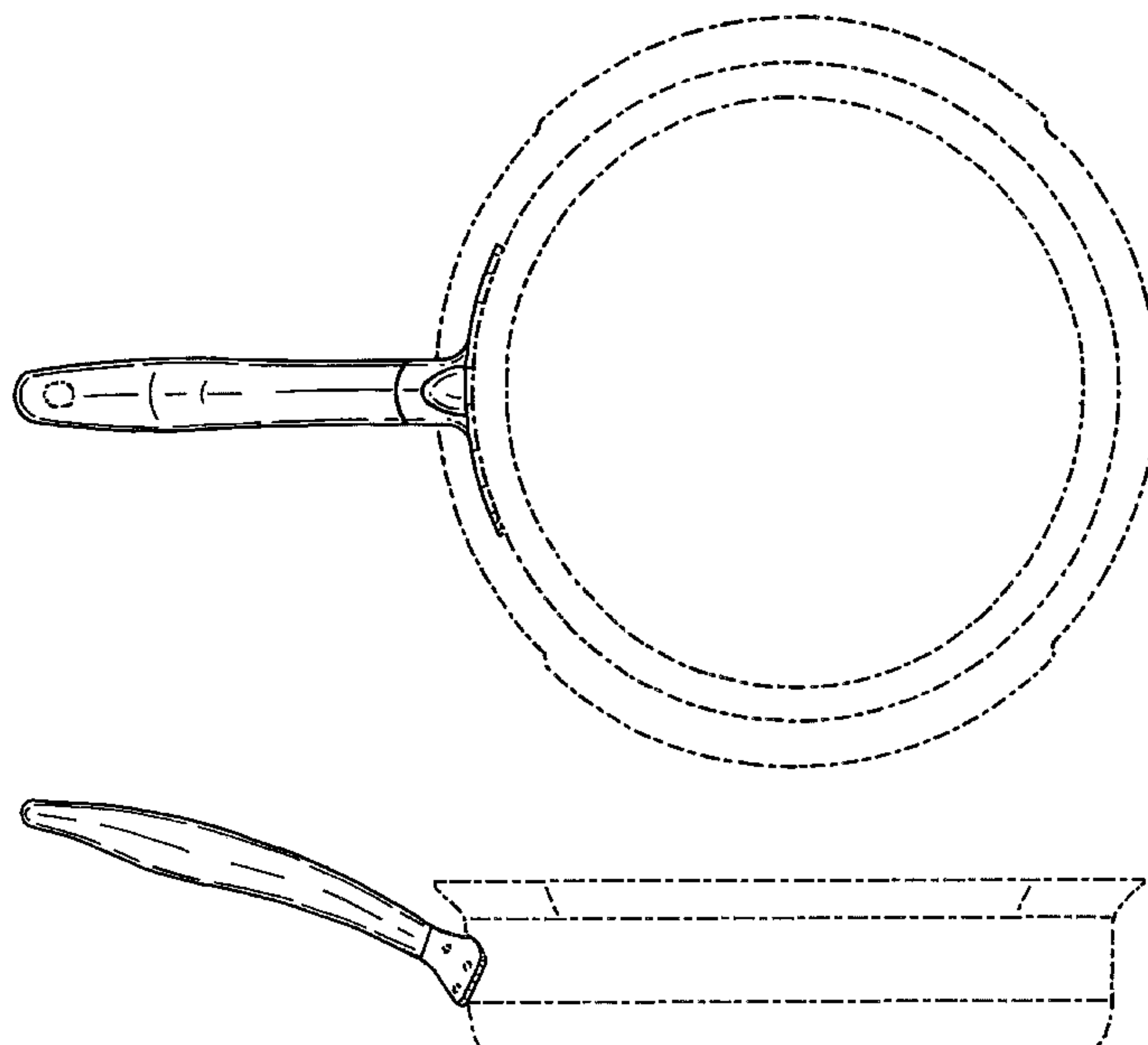
The ornamental design for a skillet handle, as shown and described.

DESCRIPTION

FIG. 1 is a side, top, perspective view of the skillet handle with a skillet to which the is attached, rivets and a hole through the handle shown in phantom;
FIG. 2 is a top view thereof;
FIG. 3 is a bottom view thereof;
FIG. 4 is a left side view thereof;
FIG. 5 is a right side view thereof;
FIG. 6 is a front view thereof; and,
FIG. 7 is a rear view thereof.

The broken lines are for illustrative purposes only and form no part of the claimed design.

1 Claim, 4 Drawing Sheets



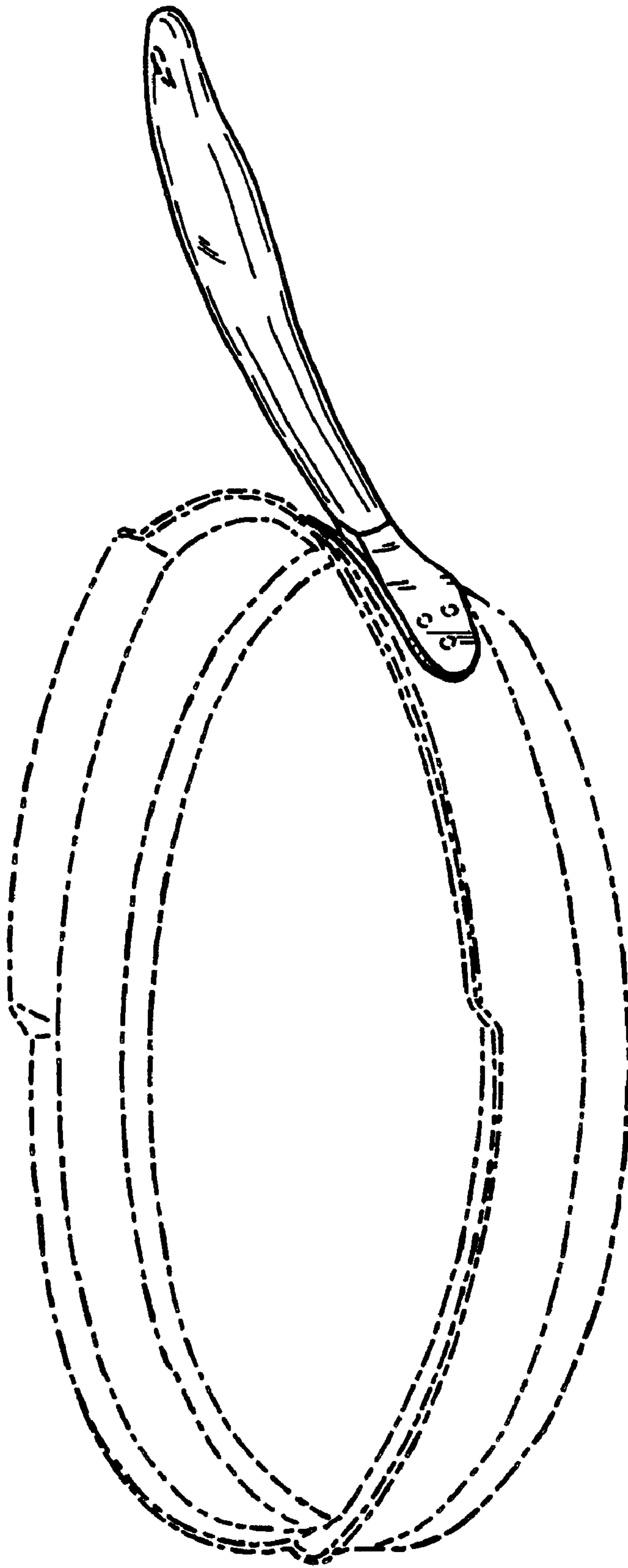


Fig. 1

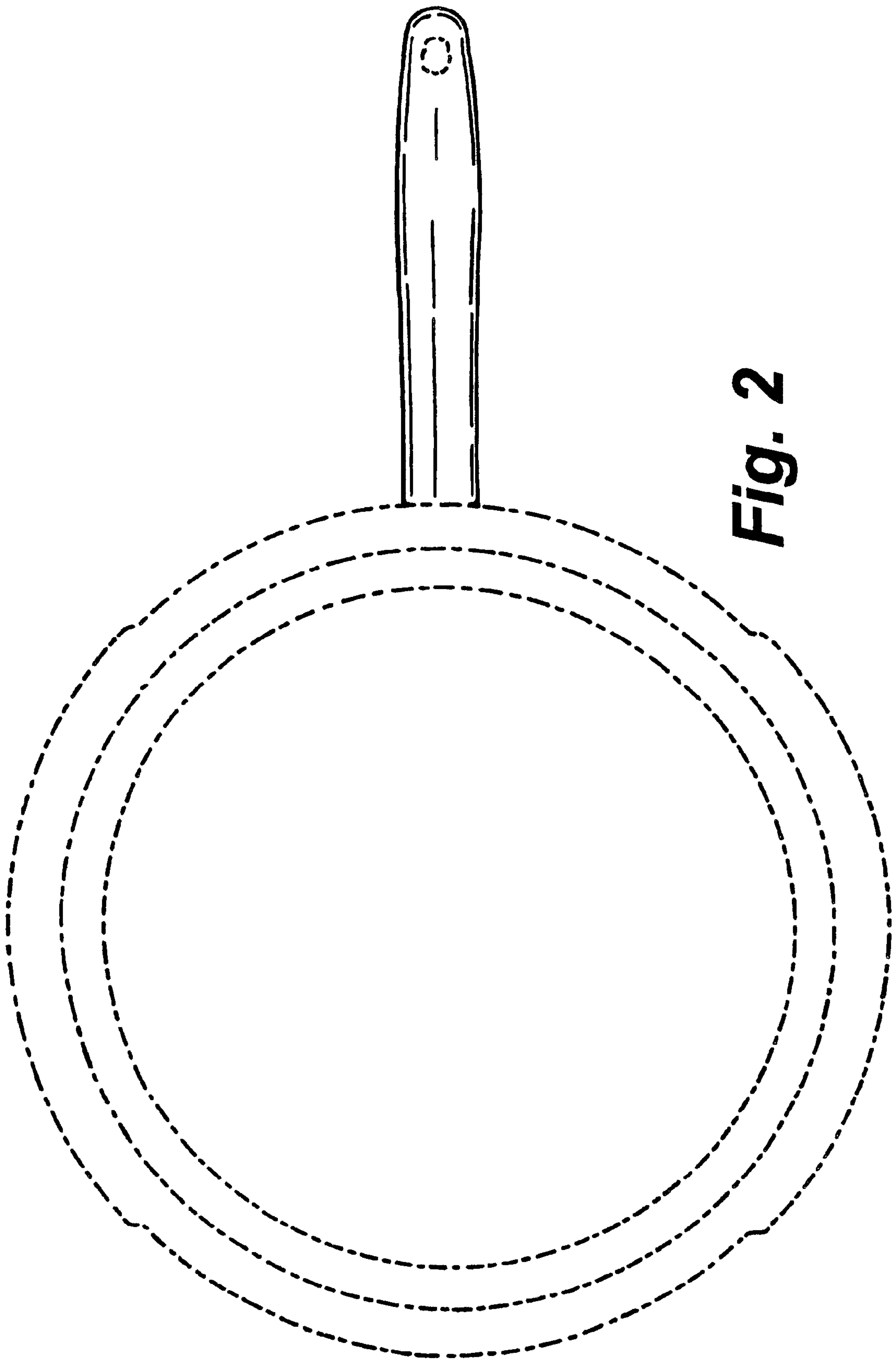


Fig. 2

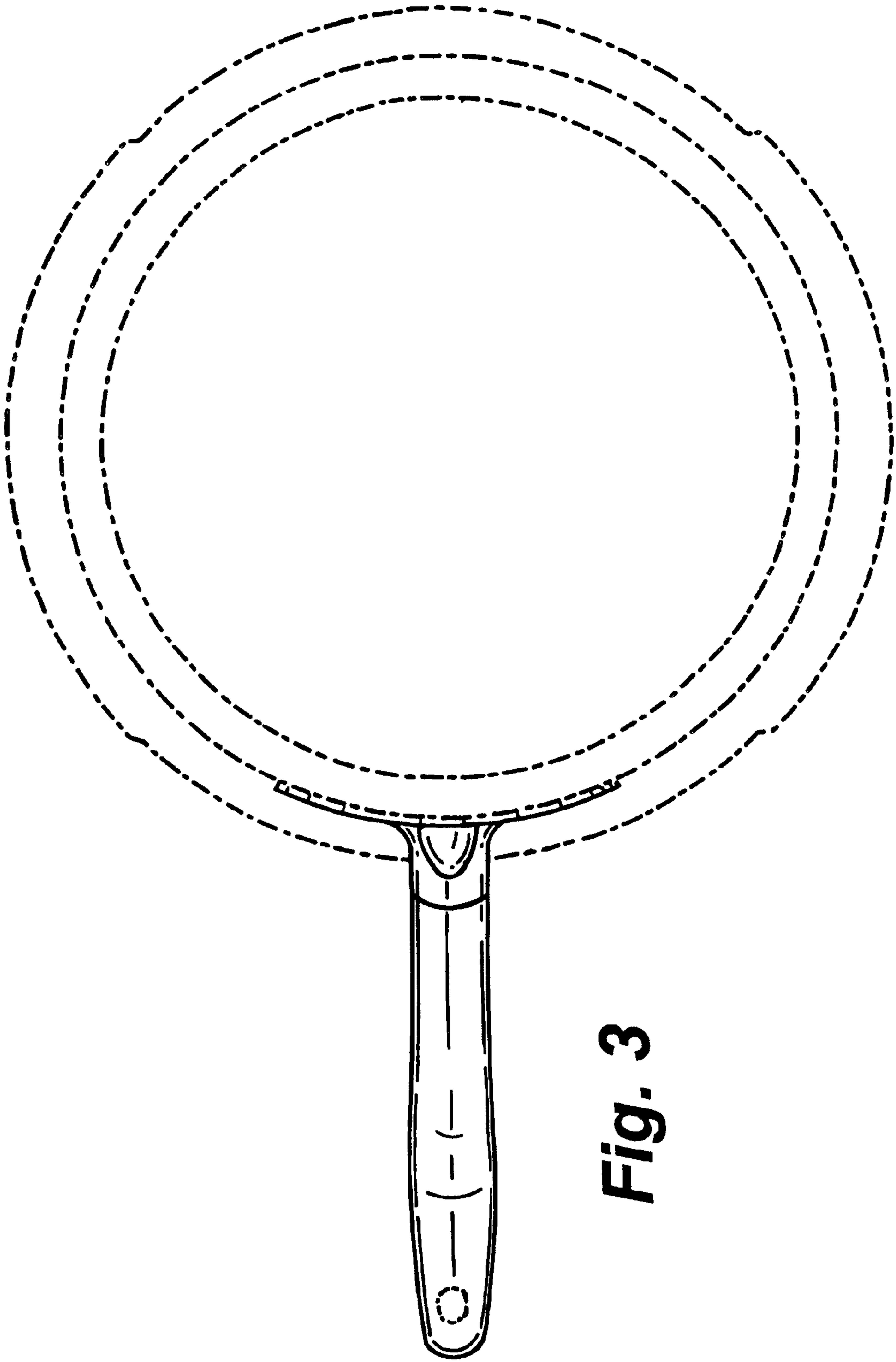


Fig. 3



Fig. 4

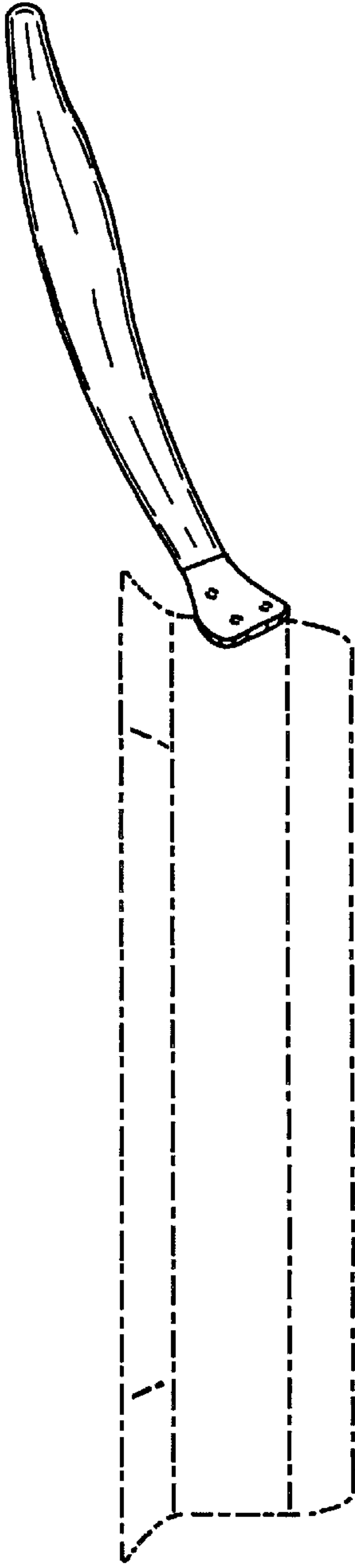


Fig. 5

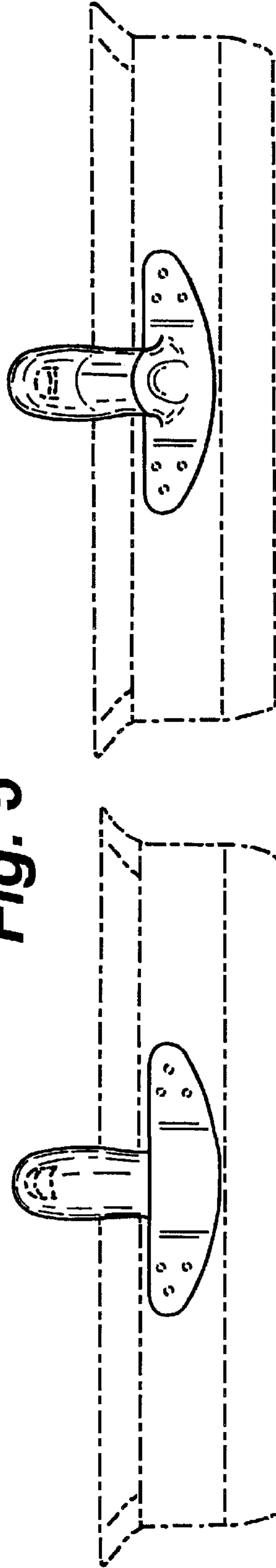


Fig. 6

Fig. 7