



US00D477963S

(12) **United States Design Patent**
Cahen

(10) **Patent No.:** **US D477,963 S**

(45) **Date of Patent:** **** *Aug. 5, 2003**

(54) **COFFEE MACHINE**

(75) Inventor: **Antoine Cahen**, Lausanne (CH)

(73) Assignee: **Societe des Produits Nestle. S.A.**,
Vevey (CH)

(*) Notice: This patent is subject to a terminal disclaimer.

(**) Term: **14 Years**

(21) Appl. No.: **29/117,769**

(22) Filed: **Feb. 2, 2000**

(51) **LOC (7) Cl.** **07-01**

(52) **U.S. Cl.** **D7/309; D7/311**

(58) **Field of Search** D7/300, 309, 310,
D7/311, 306, 305; 99/275, 304, 283, 279,
305, 299

(56) **References Cited**

U.S. PATENT DOCUMENTS

D277,538 S	*	2/1985	Jack	D7/309
4,644,856 A	*	2/1987	Borgmann	99/295
D323,949 S	*	2/1992	Kahlcke	D7/309
D324,621 S	*	3/1992	Haslacher	D7/309
D336,206 S	*	6/1993	Littmann	D7/309
D340,381 S	*	10/1993	Mermillod	D7/309
D344,206 S	*	2/1994	Azpiri	D7/309

D346,298 S	*	4/1994	Brady et al.	D7/309
D354,193 S	*	1/1995	Storsberg	D7/309
D360,802 S	*	8/1995	Seiffert	D7/309
D364,306 S	*	11/1995	Storsberg	D7/309
D380,334 S	*	7/1997	Lin	D7/309
D385,455 S	*	10/1997	Cortese	D7/309
D395,976 S	*	7/1998	Seiffert et al.	D7/309
D396,987 S	*	8/1998	Seiffert	D7/309
D400,046 S	*	10/1998	Seiffert	D7/309
D414,371 S	*	9/1999	Seiffert	D7/309
D431,750 S	*	10/2000	Cahen	D7/309
D441,593 S	*	5/2001	Gudfin	D7/309

* cited by examiner

Primary Examiner—M. N. Pandozzi

(74) *Attorney, Agent, or Firm*—Sheldon & Mak; Denton L. Anderson

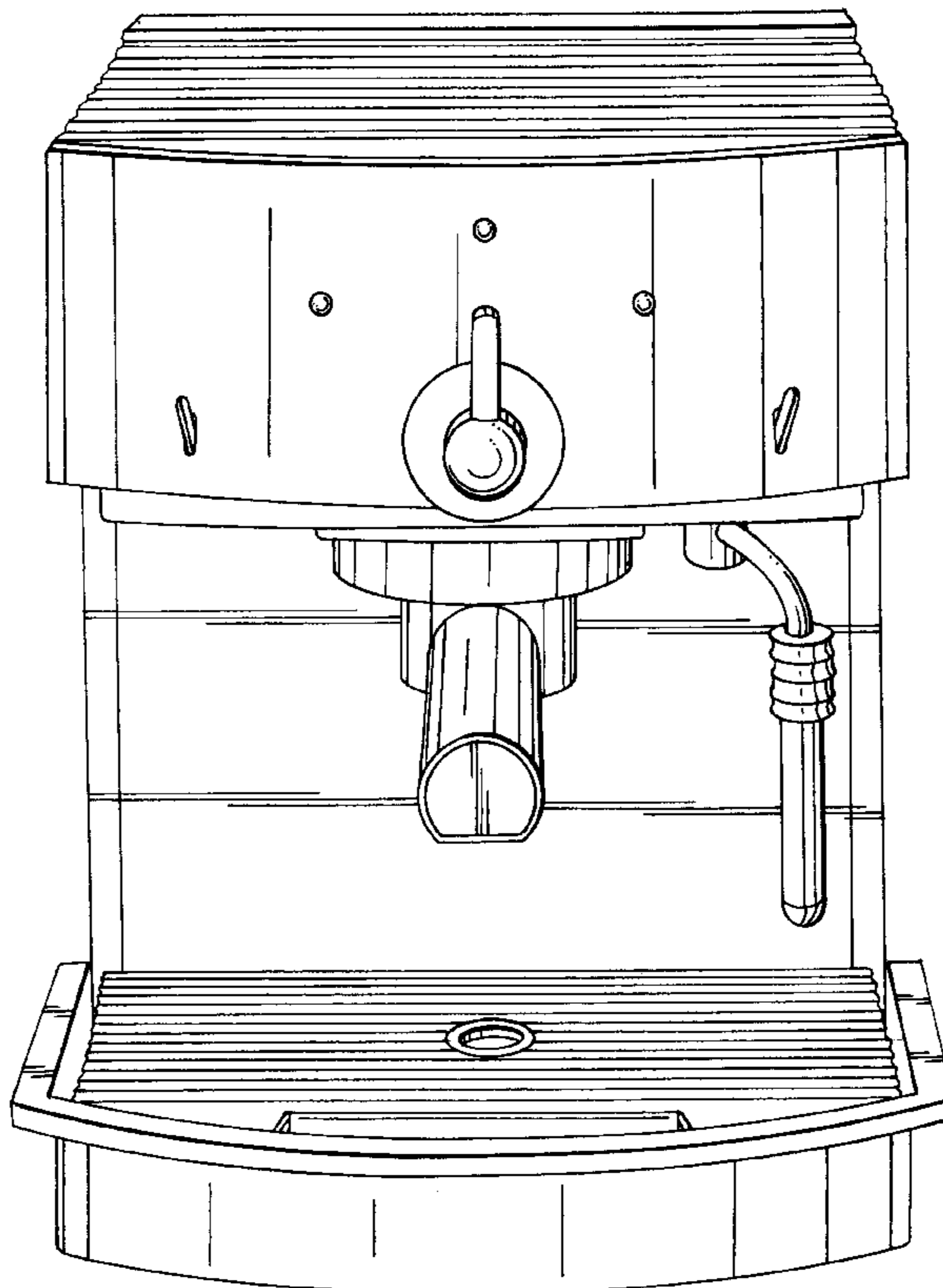
(57) **CLAIM**

The ornamental design for a coffee machine, as shown and described.

DESCRIPTION

FIG. 1 is a front perspective view;
FIG. 2 is a side perspective view; and,
FIG. 3 is a side perspective view.
The portions of the coffee machine that are not shown in the drawings do not form part of the claimed design.

1 Claim, 3 Drawing Sheets



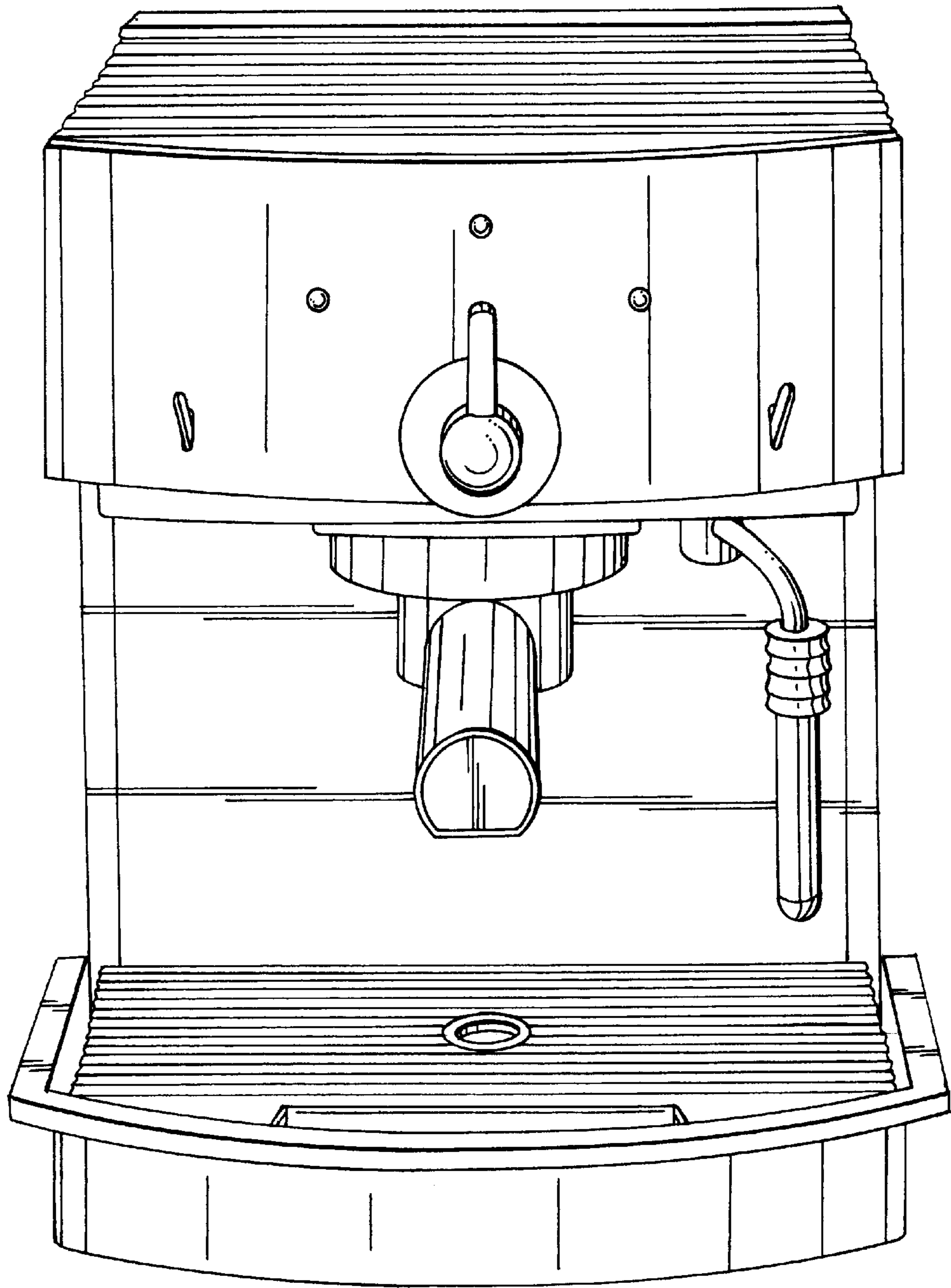


Fig. 1

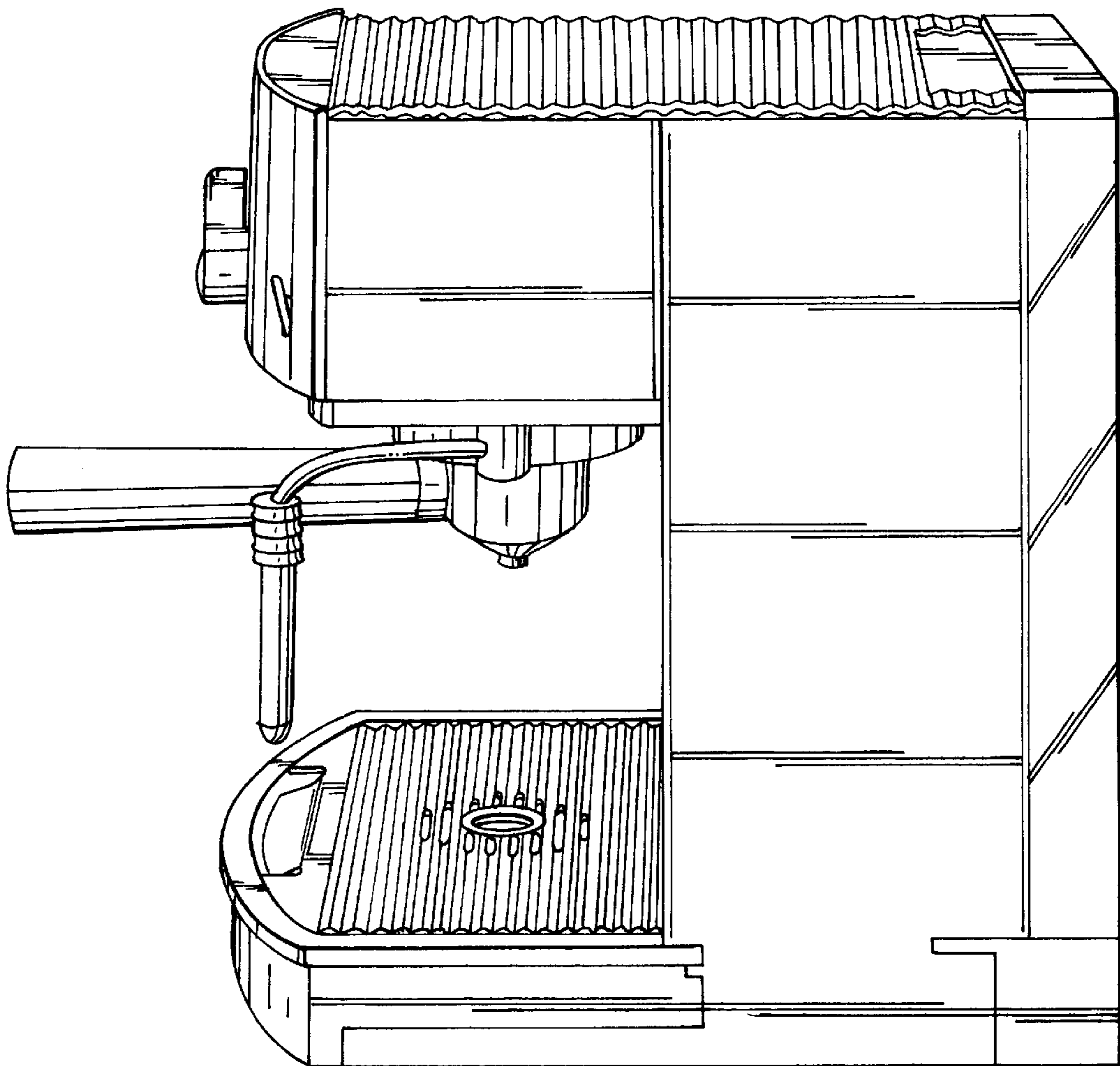


Fig. 2

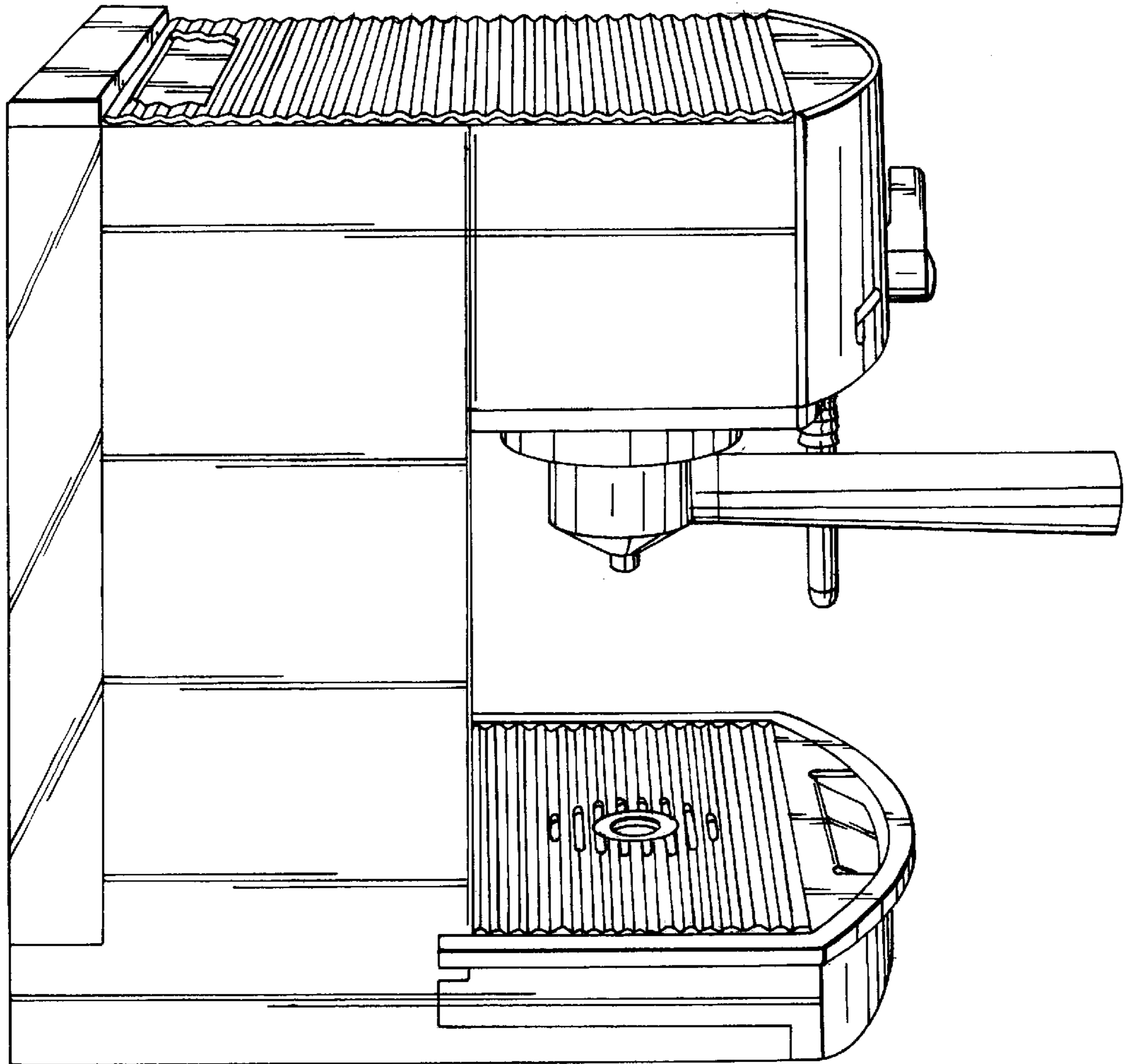


Fig. 3