



US00D477960S

(12) **United States Design Patent**  
**Bartley**

(10) **Patent No.:** **US D477,960 S**

(45) **Date of Patent:** **\*\* Aug. 5, 2003**

(54) **COMPACT STEREO UNIT**

(76) **Inventor:** **Rupert Bartley**, 875 Hunts Point Ave.,  
Apt. #3W, Bronx, NY (US) 10474

(\*\*) **Term:** **14 Years**

(21) **Appl. No.:** **29/154,389**

(22) **Filed:** **Jan. 24, 2002**

(51) **LOC (7) Cl.** ..... **06-04**

(52) **U.S. Cl.** ..... **D6/630; D6/436**

(58) **Field of Search** ..... D6/396, 397, 407,  
D6/630, 411, 410, 436, 437, 438, 476-479,  
569, 570, 571, 473, 474; 108/28, 59-61,  
91-93, 149, 157.1, 158.11, 180; 211/10,  
11, 34, 36, 37, 90.04, 134, 153, 175, 186,  
188; 312/7.2, 9.48, 196, 278-281

(56) **References Cited**

**U.S. PATENT DOCUMENTS**

- D321,615 S \* 11/1991 Lavine et al. .... D6/479
- D326,023 S \* 5/1992 Hurn ..... D6/438
- D342,172 S \* 12/1993 Schonhofen ..... D6/474

- D361,011 S \* 8/1995 Weisburn et al. .... D6/629
- 5,615,779 A \* 4/1997 Marsilio et al. .... 211/40
- D381,236 S \* 7/1997 Stravitz ..... D6/630
- 5,730,300 A \* 3/1998 Chen ..... D6/407
- RE35,761 E \* 4/1998 Dardashti ..... 211/40
- 5,980,002 A \* 11/1999 Crowe ..... 312/9.48

\* cited by examiner

*Primary Examiner*—Cathron C. Brooks

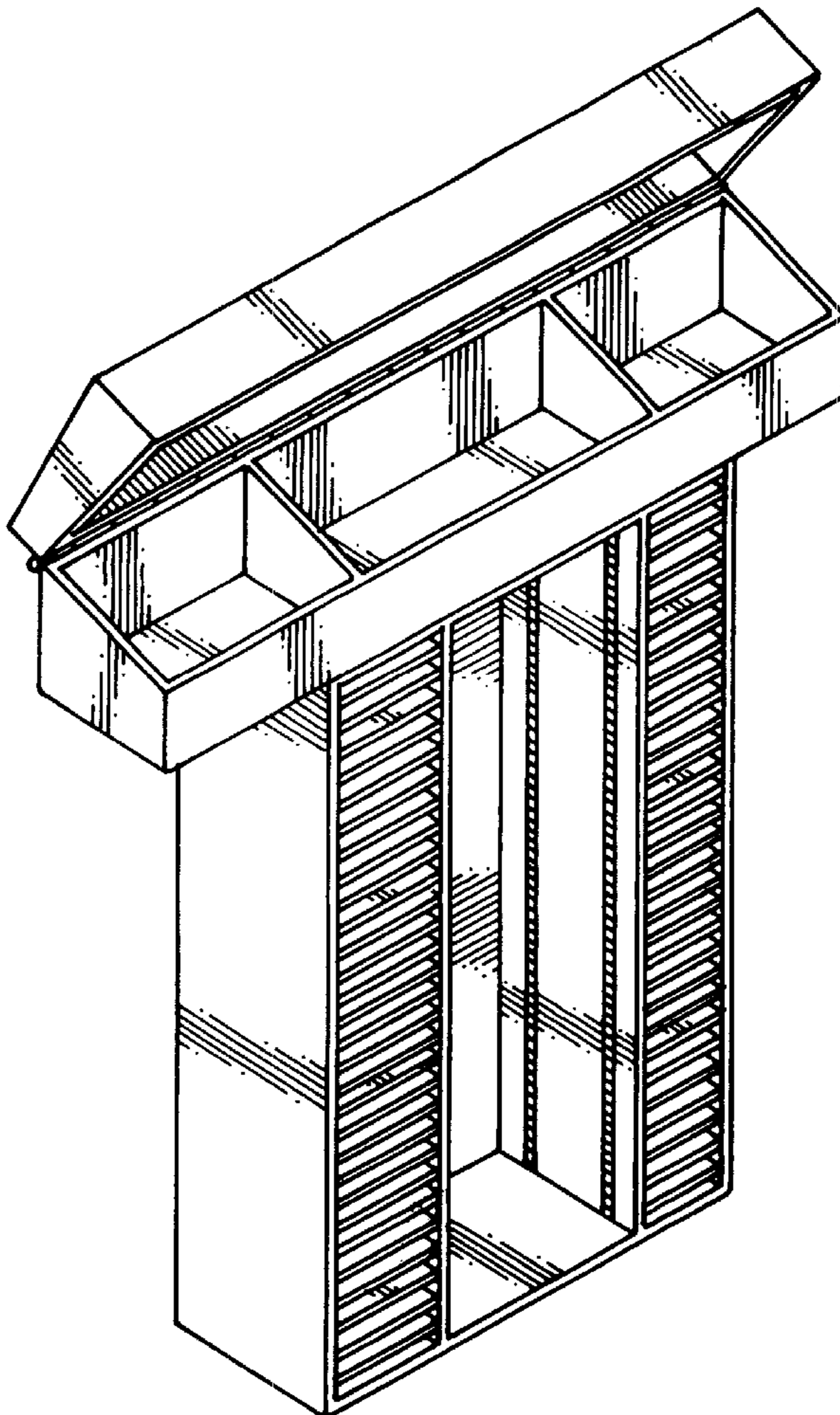
(57) **CLAIM**

I claim the ornamental design for a compact stereo unit, as shown and described.

**DESCRIPTION**

FIG. 1 is a perspective view of a compact stereo unit, showing my new design;  
 FIG. 2 is a front elevational view thereof;  
 FIG. 3 is a rear elevational view thereof;  
 FIG. 4 is a right end elevational view thereof, the left end elevational view being a mirror image of this Figure;  
 FIG. 5 is a top plan view thereof; and,  
 FIG. 6 is a bottom plan view thereof.

**1 Claim, 4 Drawing Sheets**



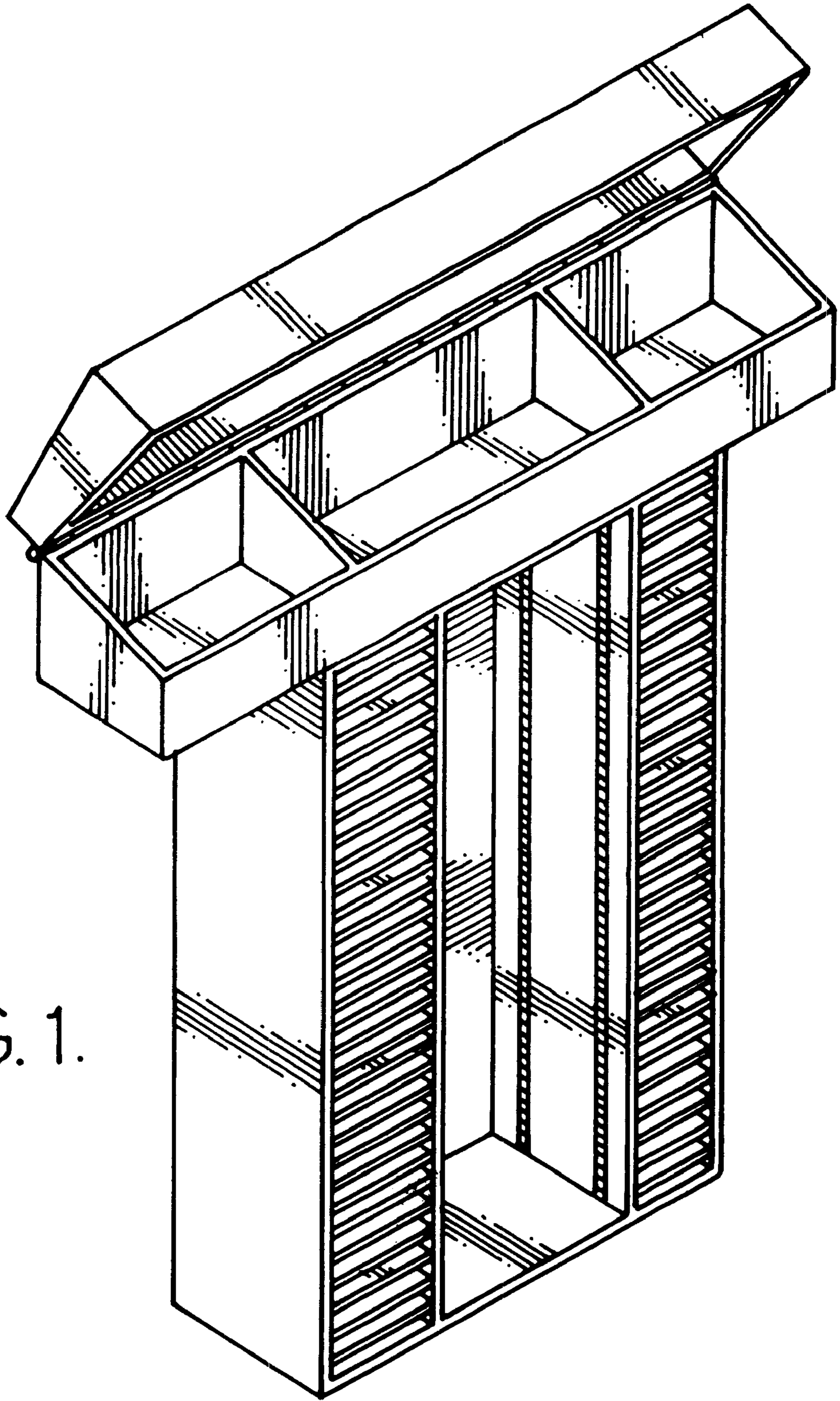


FIG. 1.

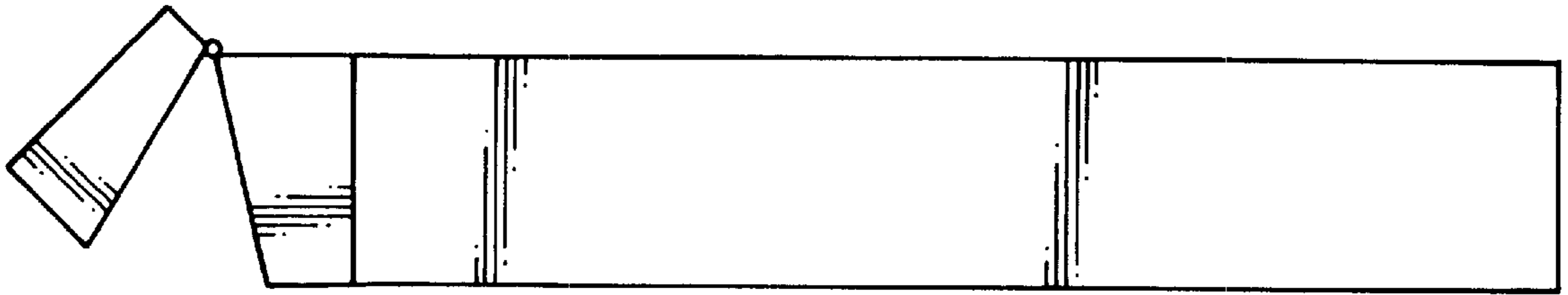


FIG. 4.

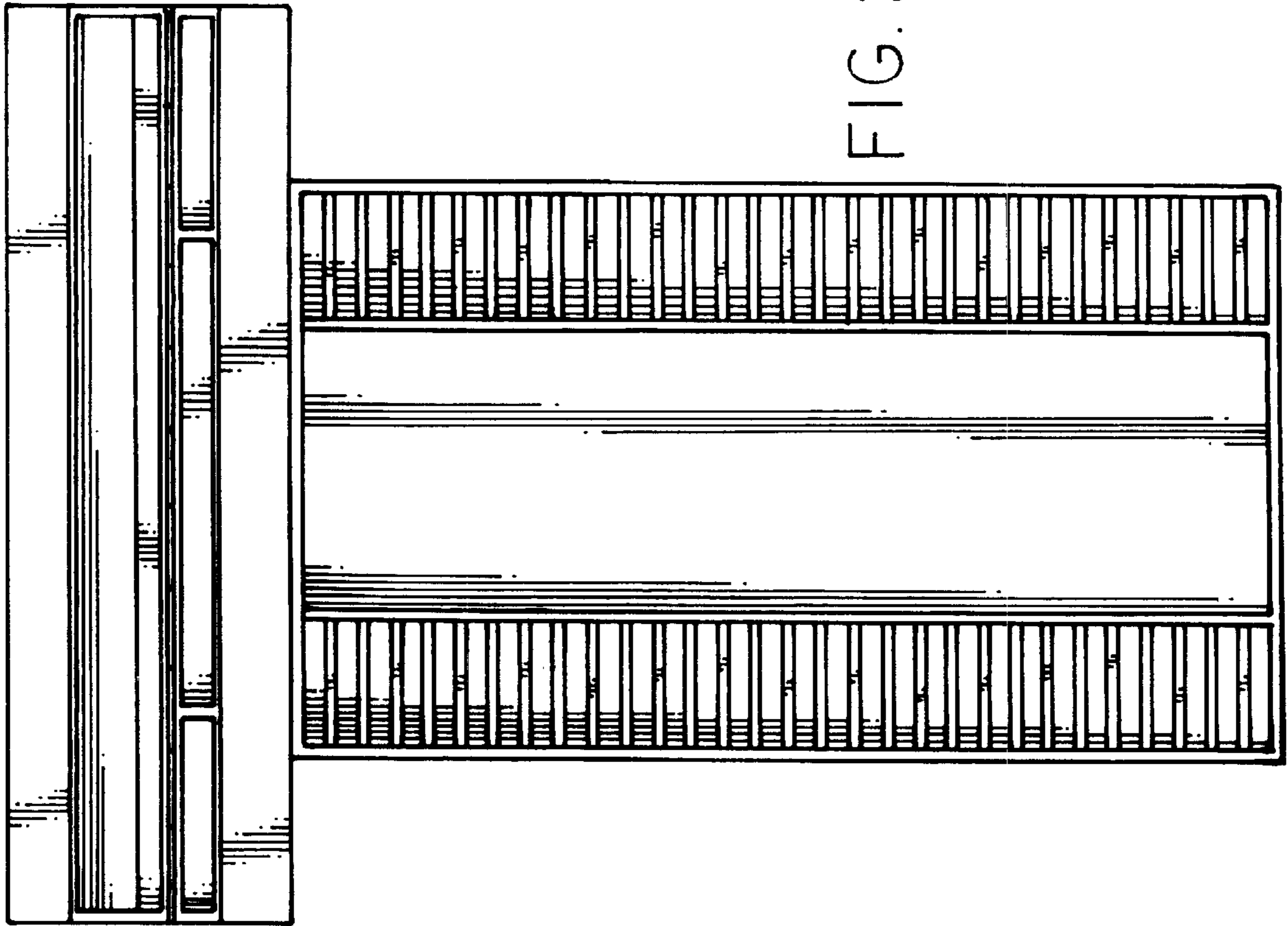


FIG. 2.

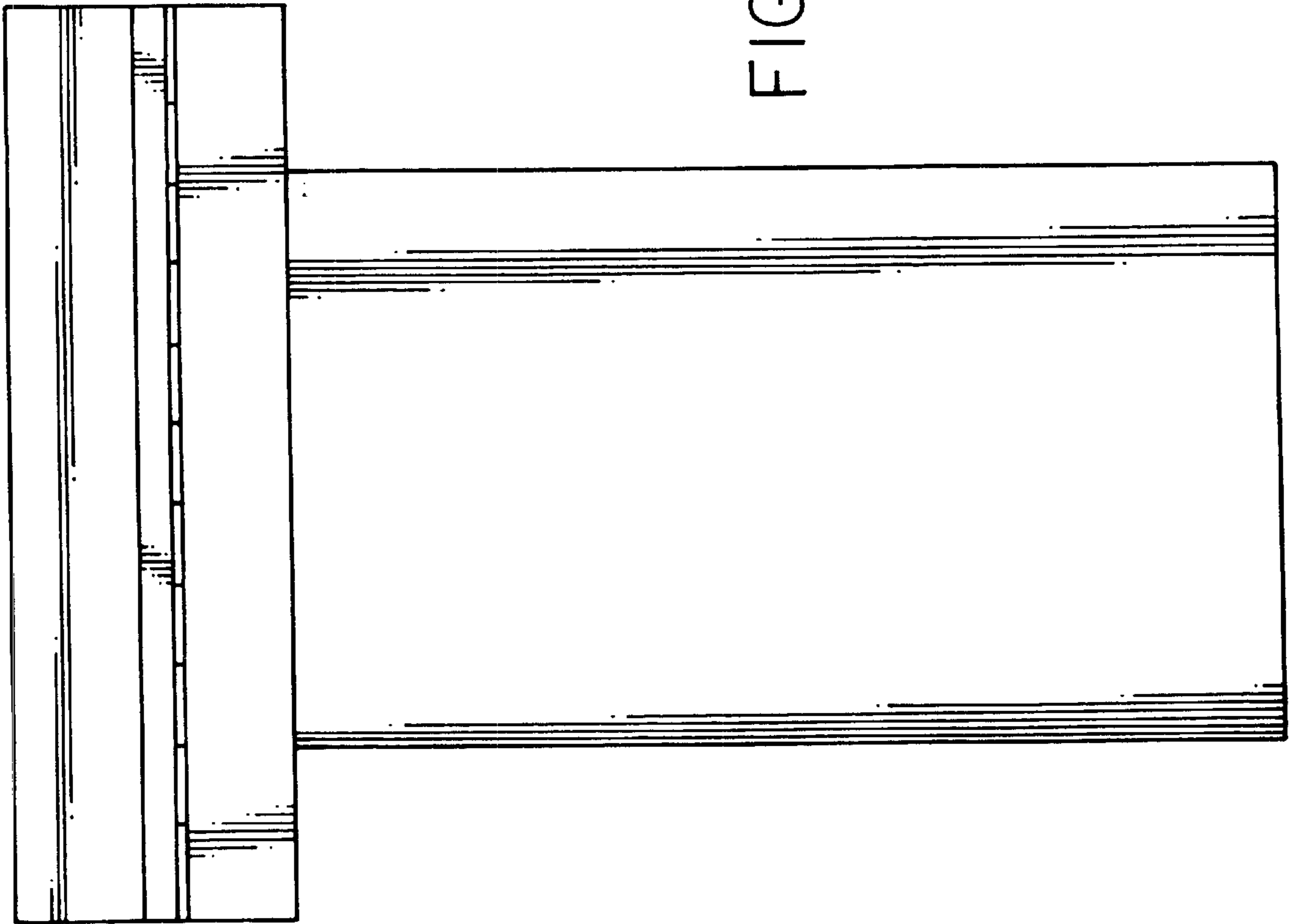


FIG. 3.

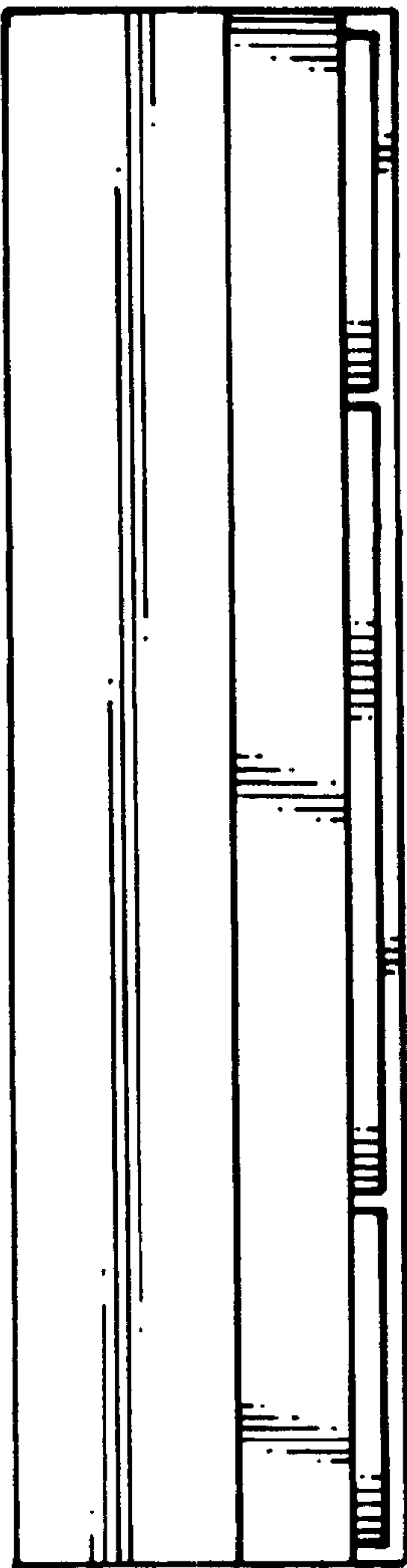


FIG. 5.

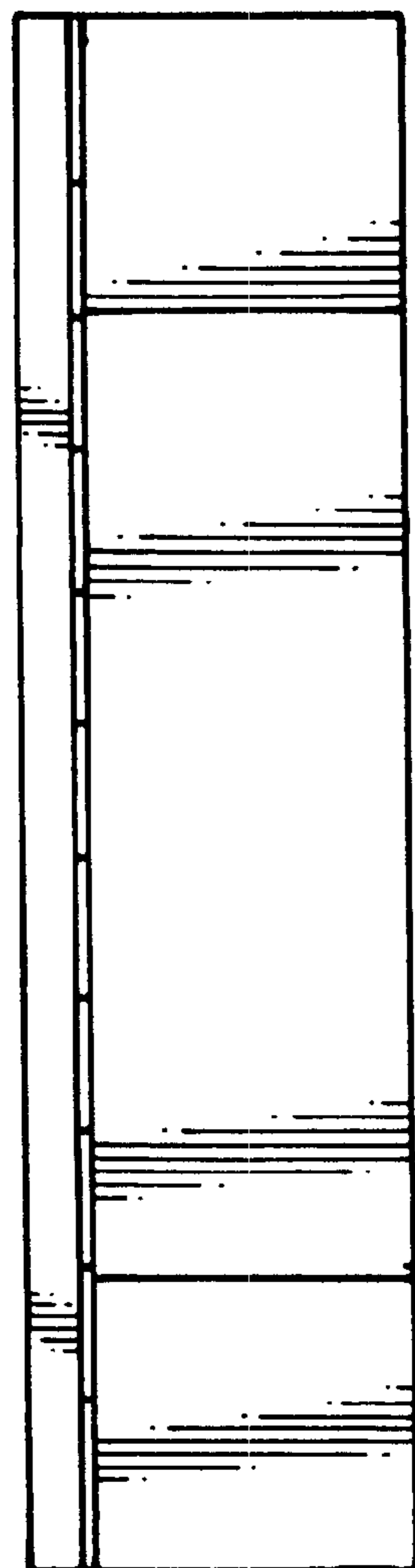


FIG. 6.