



US00D477951S

(12) **United States Design Patent**
Ouano

(10) **Patent No.:** **US D477,951 S**

(45) **Date of Patent:** **** Aug. 5, 2003**

(54) **TOWEL BAR**

(75) Inventor: **Magno Ouano**, Jersey City, NJ (US)

(73) Assignee: **Bath Unlimited, Inc.**, Passaic, NJ (US)

(**) Term: **14 Years**

(21) Appl. No.: **29/162,381**

(22) Filed: **Jun. 14, 2002**

(51) **LOC (7) Cl.** **06-04**

(52) **U.S. Cl.** **D6/549**

(58) **Field of Search** D6/546-50, 518-19,
D6/522-24; D8/300, 303, 315-21, 354,
363, 373, 380; 108/28-29; 211/13.1, 16,
60.1, 86.01, 87.01, 88.01, 88.04, 100, 105.1-105.2,
119.003, 123, 126.1, 133.6, 134, 181.1,
182; 248/175, 176.1, 200, 214, 251, 302,
309.1; 16/110.1, 412, 415; 242/570, 590,
595-598; 206/389, 557

(56) **References Cited**

U.S. PATENT DOCUMENTS

D53,683 S * 8/1919 Jordan D6/549

3,098,240 A * 7/1963 Fleenor 248/251
D454,745 S * 3/2002 Wright D6/550
D466,741 S * 12/2002 Moore D6/549

* cited by examiner

Primary Examiner—Brian N. Vinson
(74) *Attorney, Agent, or Firm*—Edgar A. Zarins; Lloyd D. Doigan

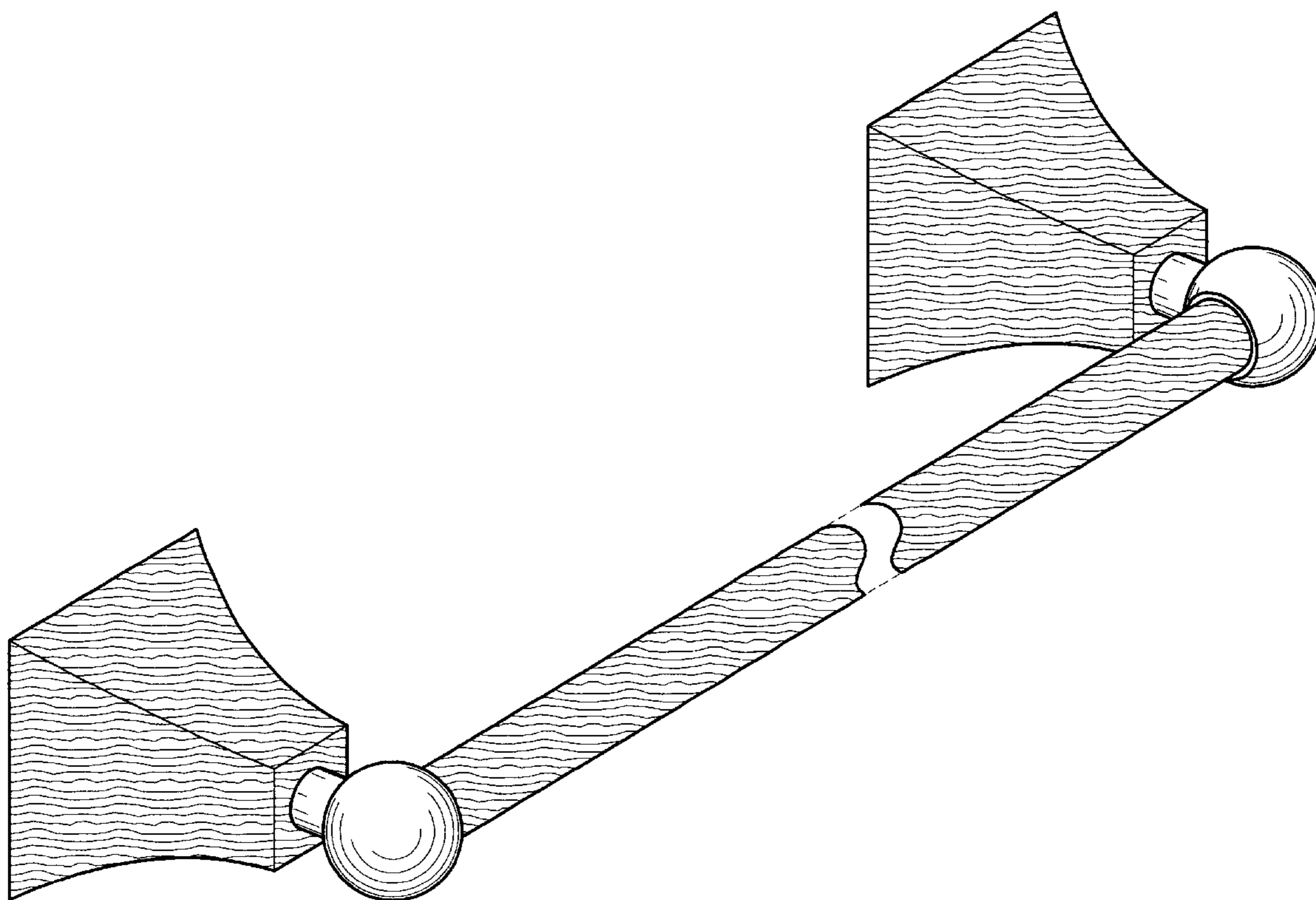
(57) **CLAIM**

The ornamental design for a towel bar, as shown and described.

DESCRIPTION

FIG. 1 is a perspective view of a towel bar showing my new design;
FIG. 2 is a top plan view thereof;
FIG. 3 is a right end view thereof;
FIG. 4 is a left end view thereof;
FIG. 5 is a front elevational view thereof;
FIG. 6 is a bottom plan view thereof; and,
FIG. 7 is a rear view thereof.

1 Claim, 4 Drawing Sheets



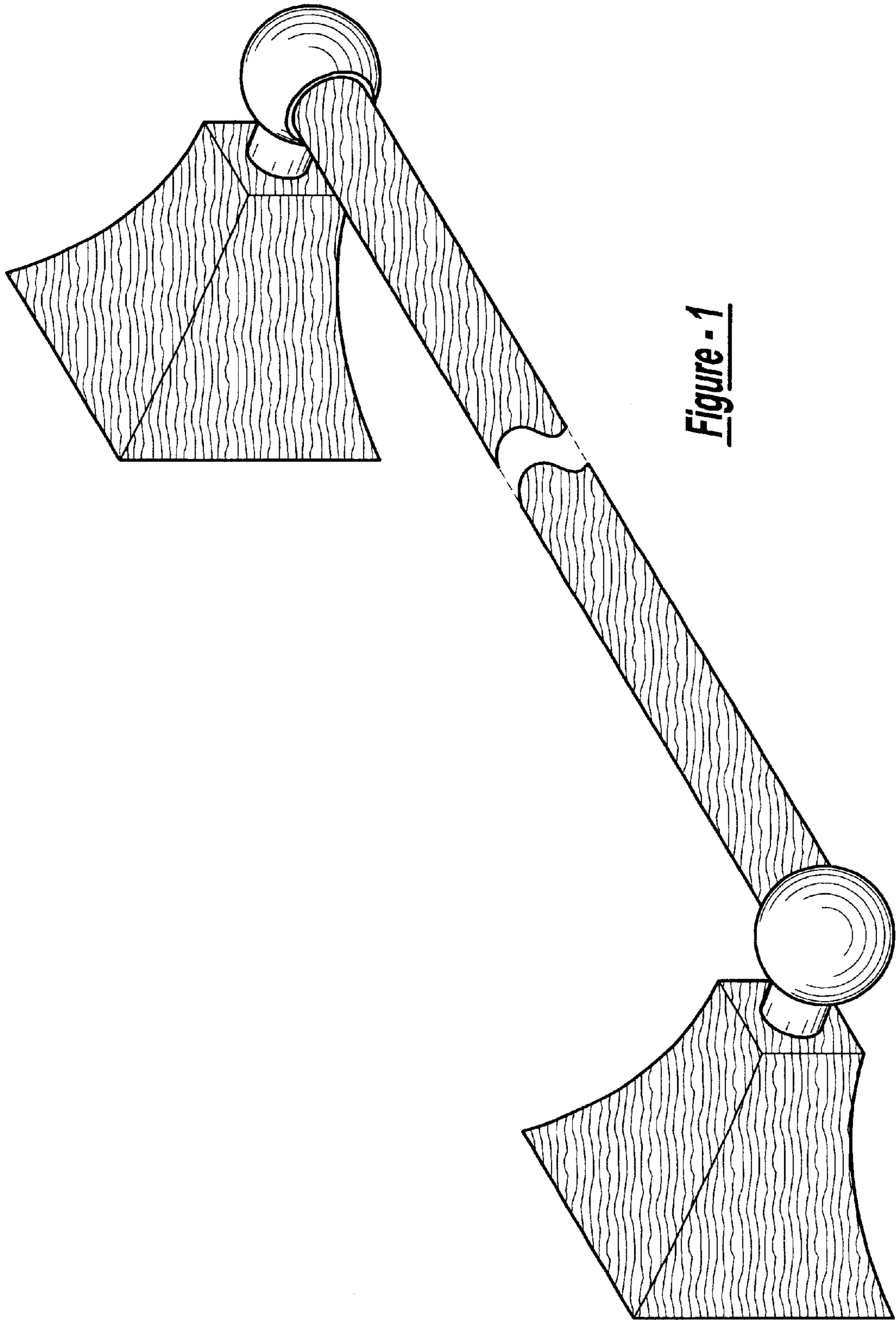


Figure - 1

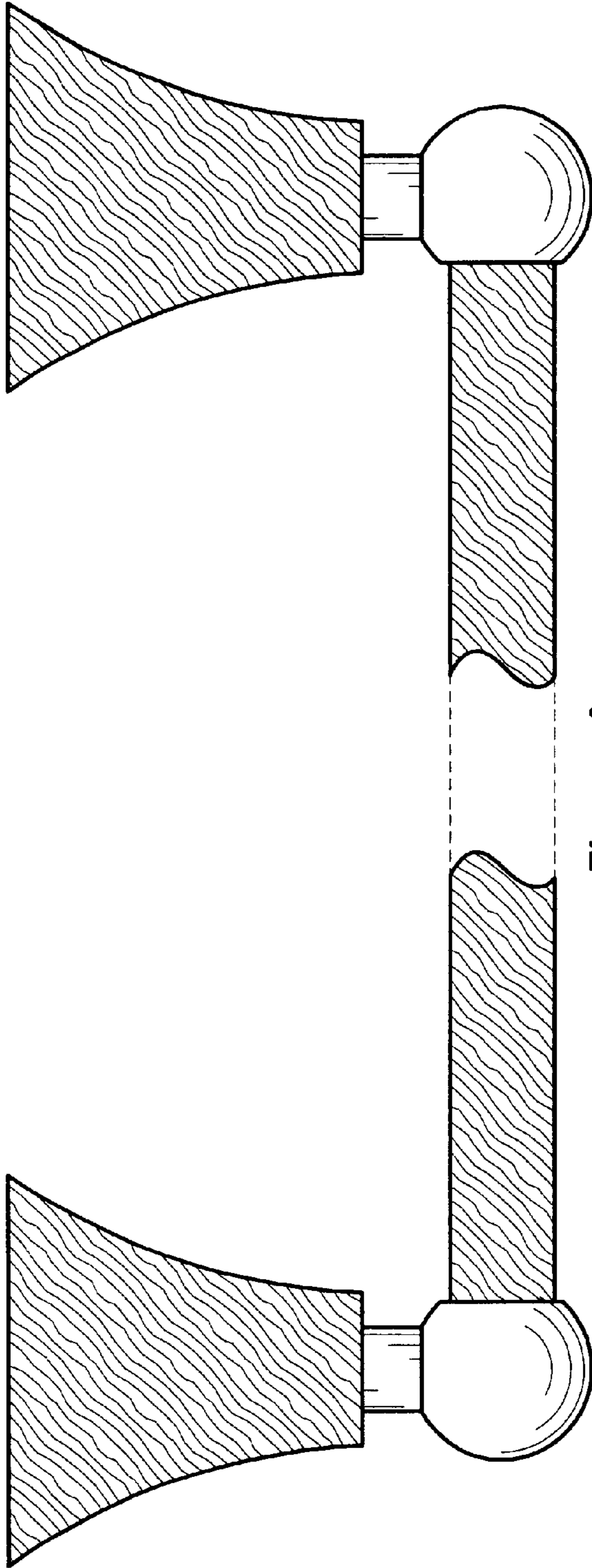


Figure - 2

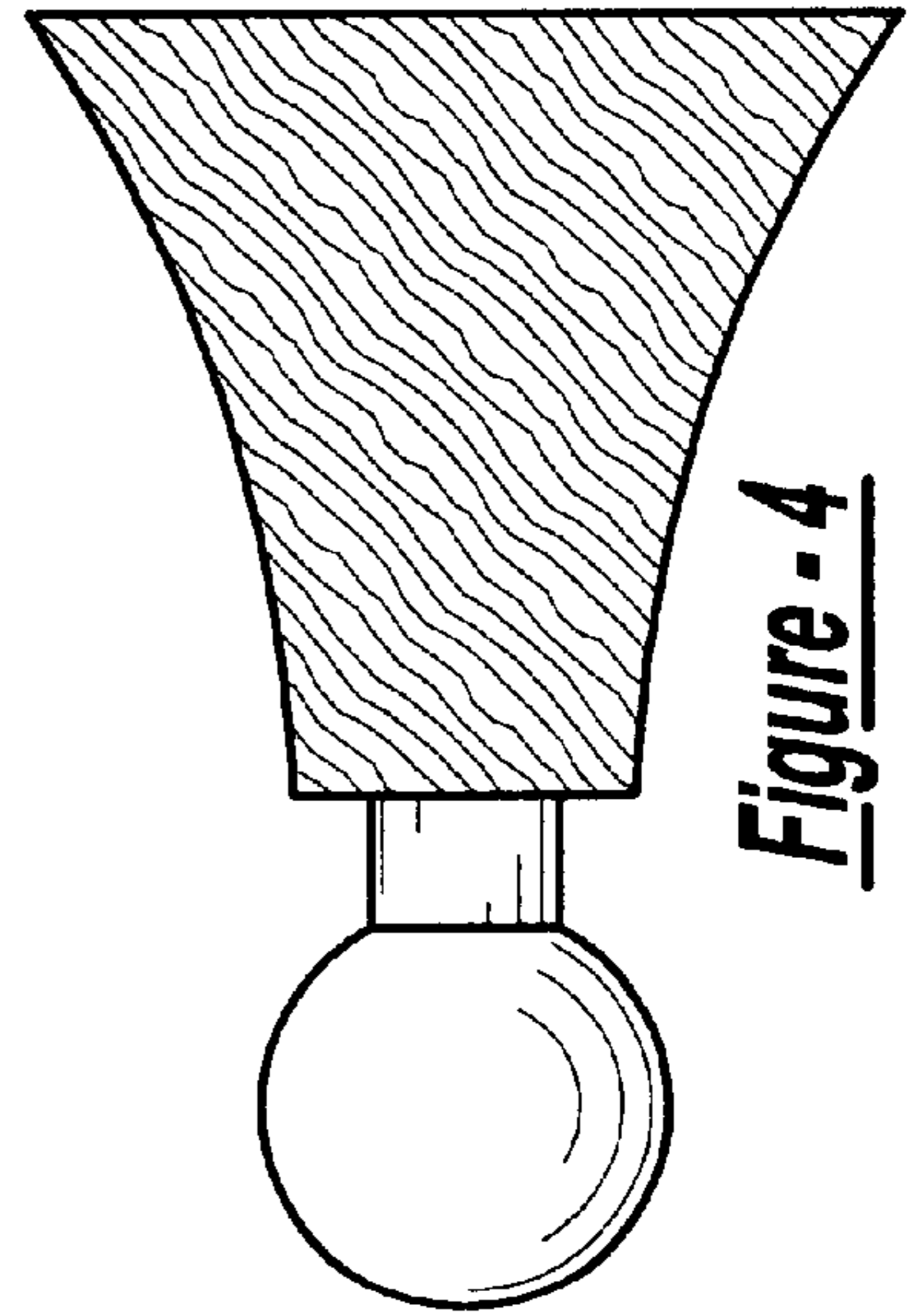


Figure - 4

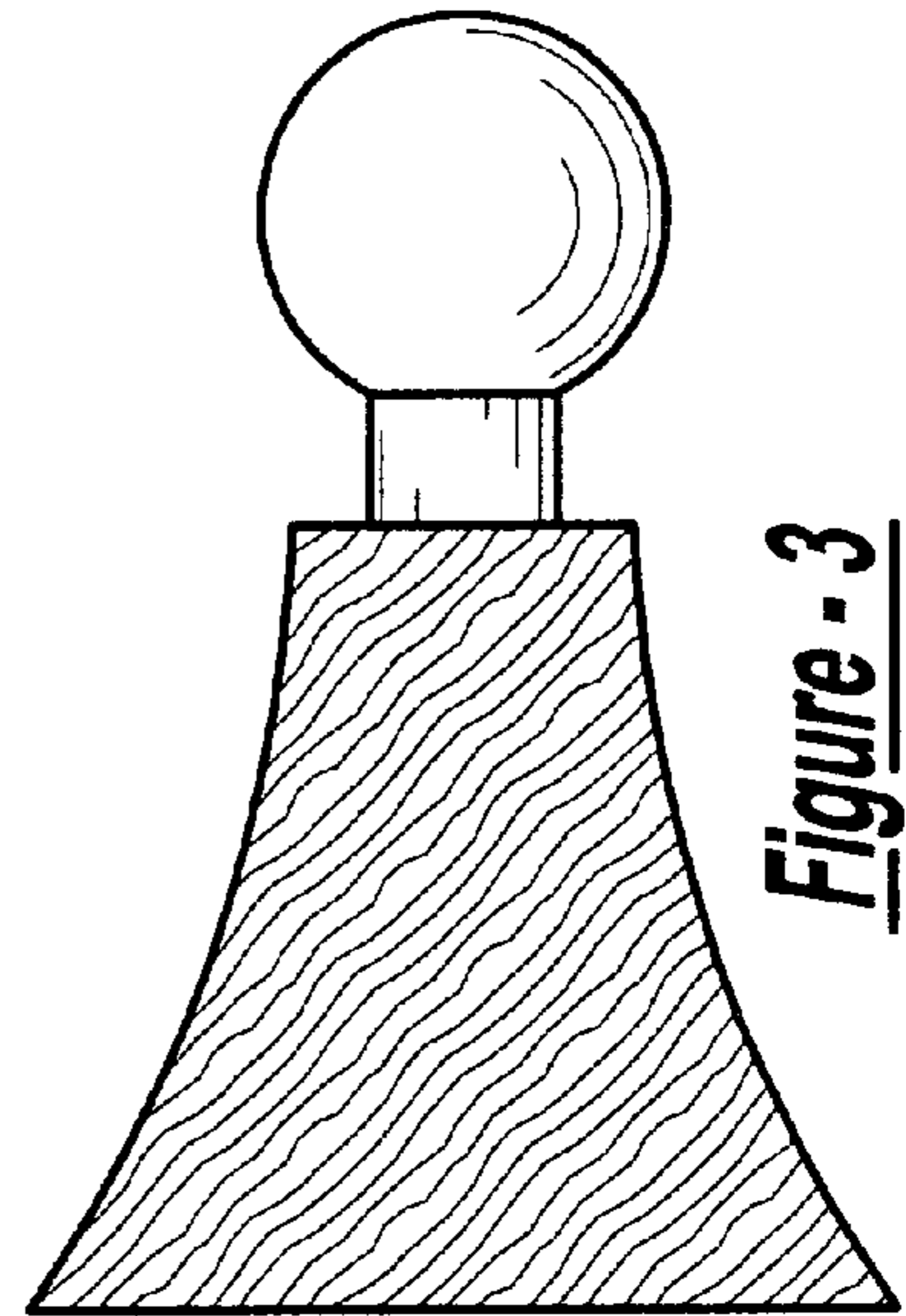


Figure - 3

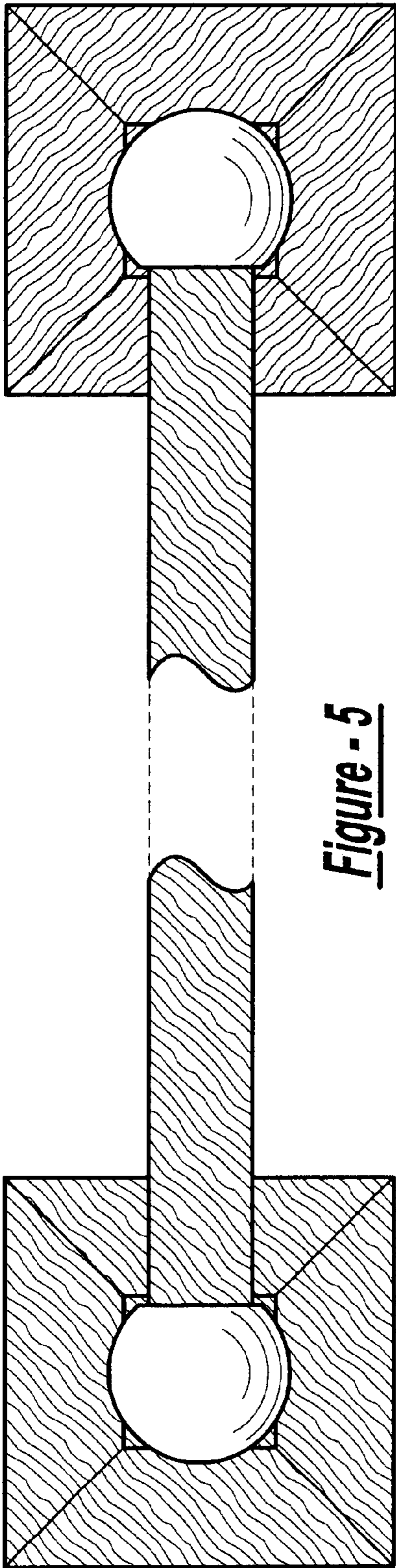


Figure - 5

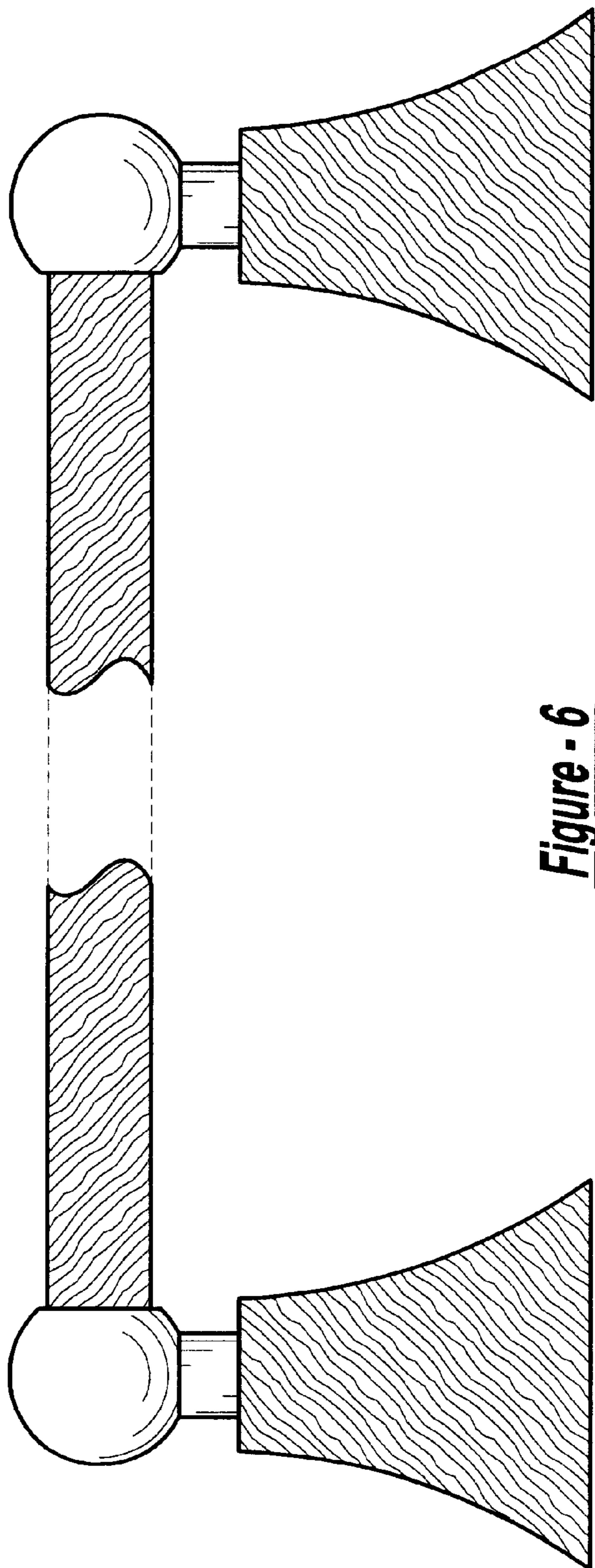


Figure - 6

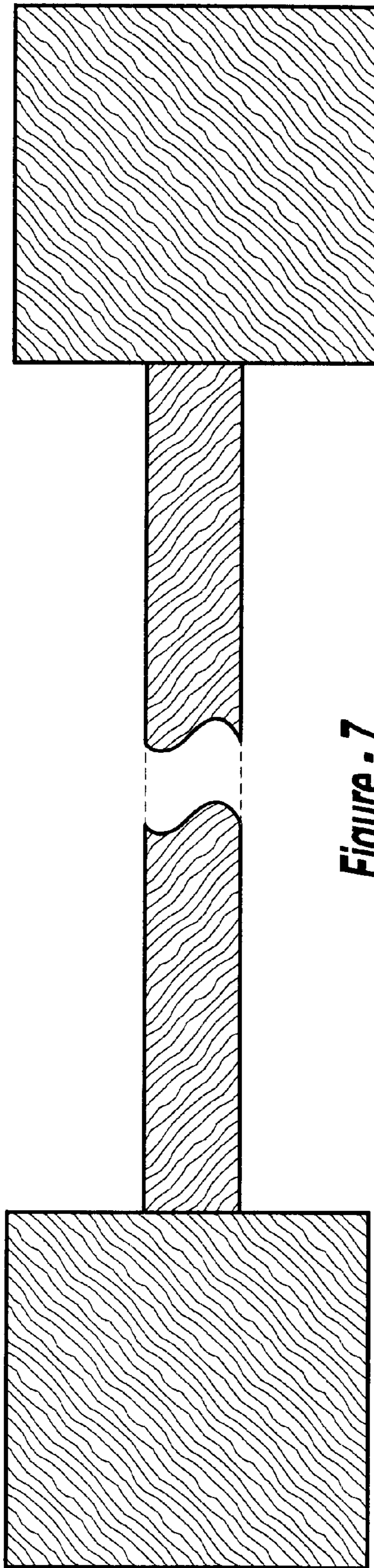


Figure - 7