



US00D477949S

(12) **United States Design Patent**  
**Cascio et al.**

(10) **Patent No.:** **US D477,949 S**

(45) **Date of Patent:** **\*\* Aug. 5, 2003**

(54) **SWING MAGNETIC SOAP HOLDER**

(75) Inventors: **Steven S. Cascio**, Kenosha, WI (US);  
**Nancy R. Gasperi**, Racine, WI (US)

(73) Assignee: **Noveletti, LLC**, Racine, WI (US)

(\*\*) Term: **14 Years**

(21) Appl. No.: **29/171,262**

(22) Filed: **Nov. 19, 2002**

(51) **LOC (7) Cl.** ..... **23-02**

(52) **U.S. Cl.** ..... **D6/538**

(58) **Field of Search** ..... D6/536-540; 206/77.1;  
211/13.1, 86.01, 89.01, DIG. 1; 248/309.1,  
309.4, 309.3

(56) **References Cited**

**U.S. PATENT DOCUMENTS**

2,597,925	A	5/1952	Edger	
2,825,177	A	3/1958	Nordlof et al.	
3,169,743	A	2/1965	Page, Jr.	
3,289,990	A	* 12/1966	Grantham	248/309.4
3,472,391	A	10/1969	Bologniesi	
3,608,853	A	* 9/1971	Sertich	D6/539 X
D249,207	S	* 9/1978	Emmer	D6/538
D253,147	S	10/1979	Heckler	
D253,148	S	10/1979	Heckler	
D253,149	S	10/1979	Heckler	
4,207,975	A	6/1980	Arzillo	
D277,820	S	3/1985	Maayeh	
4,861,505	A	8/1989	Farman	

D341,049	S	* 11/1993	Hugh	D6/538
5,368,268	A	11/1994	Jodwischat	
5,417,397	A	5/1995	Harnett	
D365,235	S	12/1995	Jodwischat	
D375,219	S	* 11/1996	Selent	D6/538
5,642,871	A	7/1997	Repert et al.	
5,947,439	A	9/1999	Florey	
D455,590	S	* 4/2002	Short	D6/538
D458,493	S	* 6/2002	Cascio	D6/538
D458,494	S	* 6/2002	Cascio	D6/538

\* cited by examiner

*Primary Examiner*—Brian N. Vinson

(74) *Attorney, Agent, or Firm*—Godfrey & Kahn, S.C.;  
William K. Baxter

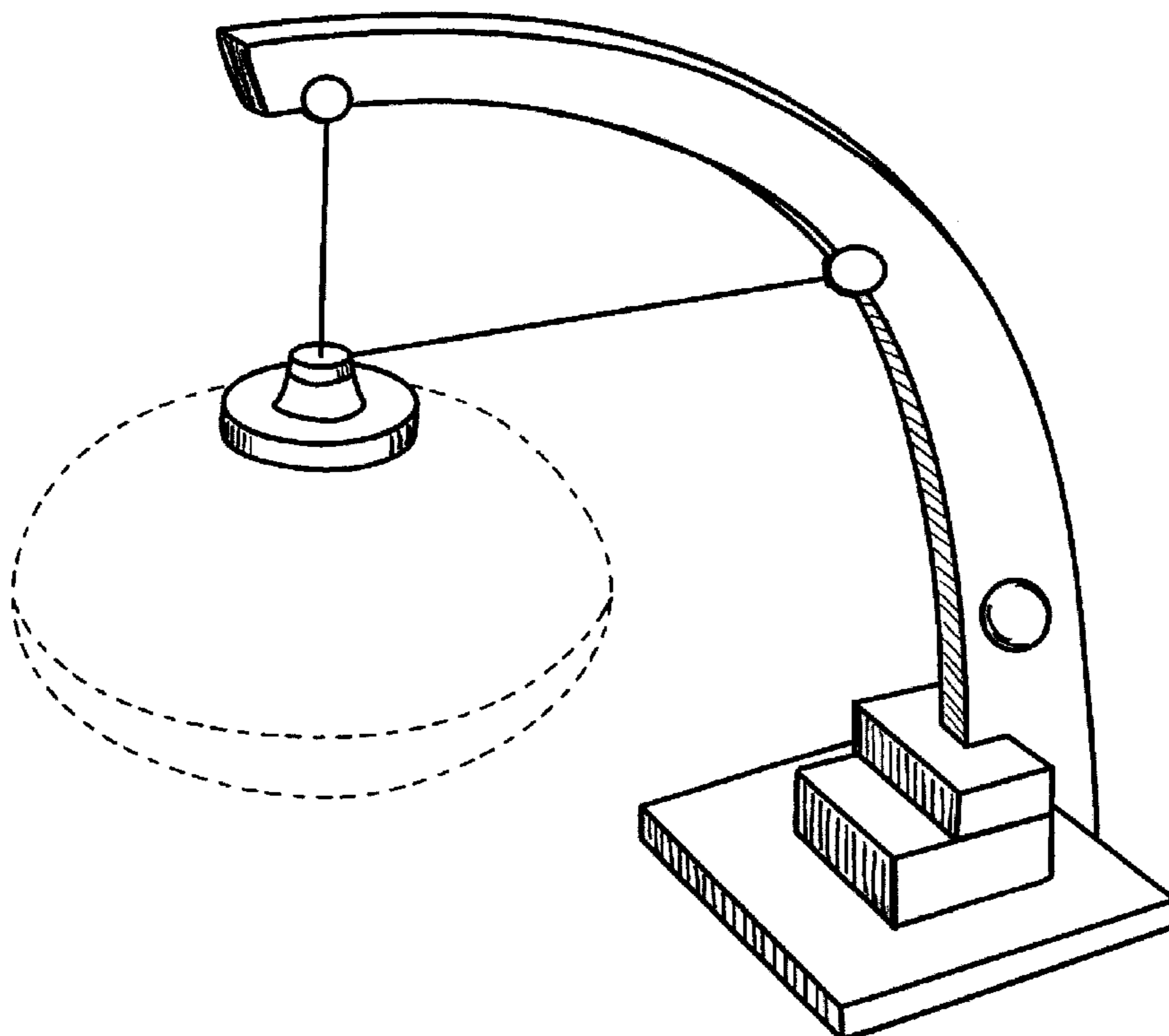
(57) **CLAIM**

The ornamental design for a swing magnetic soap holder, as shown and described.

**DESCRIPTION**

FIG. 1 is a perspective view of a swing magnetic soap holder showing the new design;  
FIG. 2 is a right side elevational view thereof, the left side being a mirror image;  
FIG. 3 is a front elevational view thereof;  
FIG. 4 is a rear elevational view thereof;  
FIG. 5 is a top plan view thereof; and,  
FIG. 6 is a bottom plan view thereof.  
A bar soap is shown in broken lines for illustrative purposes only and forms no part of the claimed design.

**1 Claim, 6 Drawing Sheets**



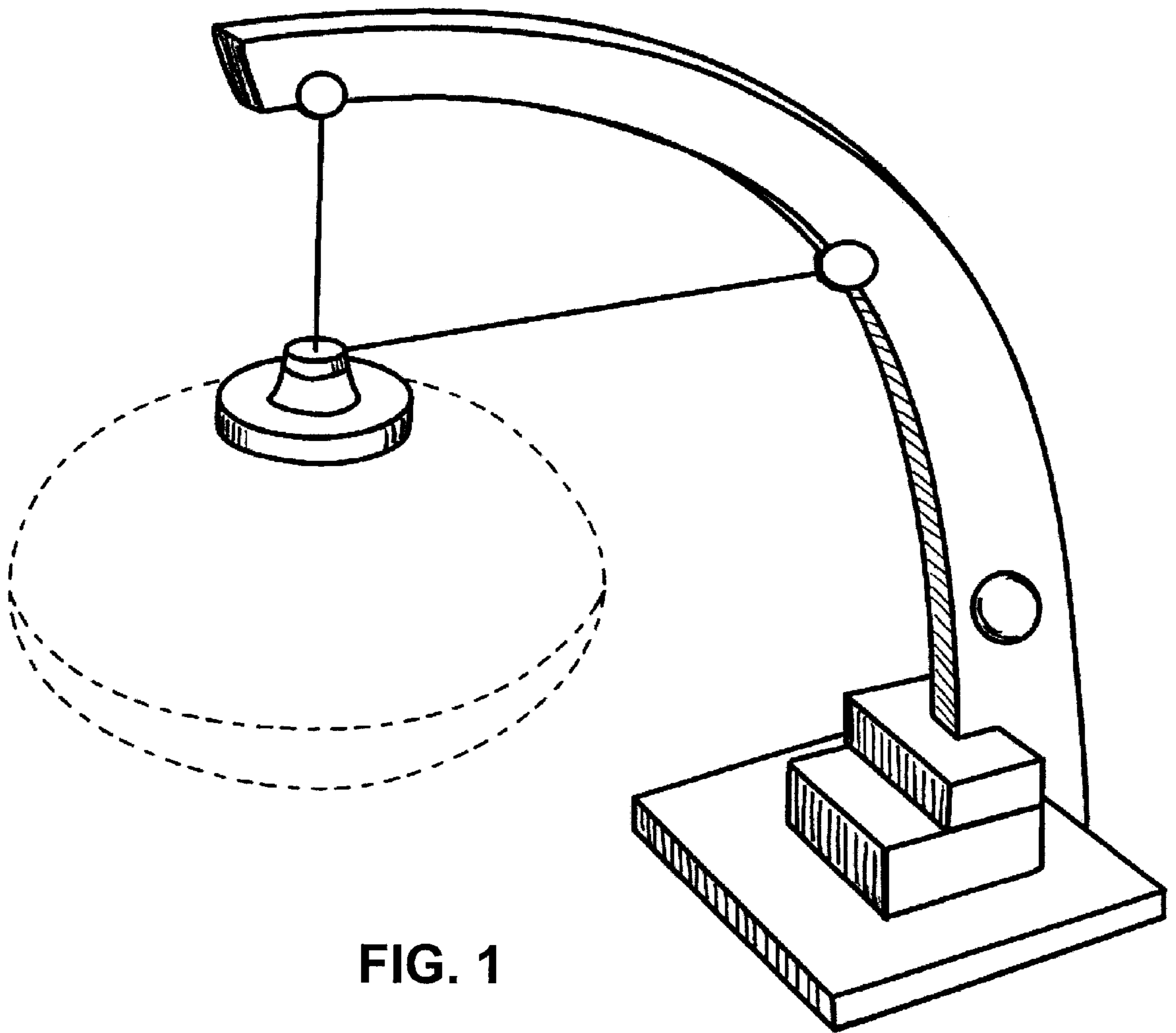


FIG. 1

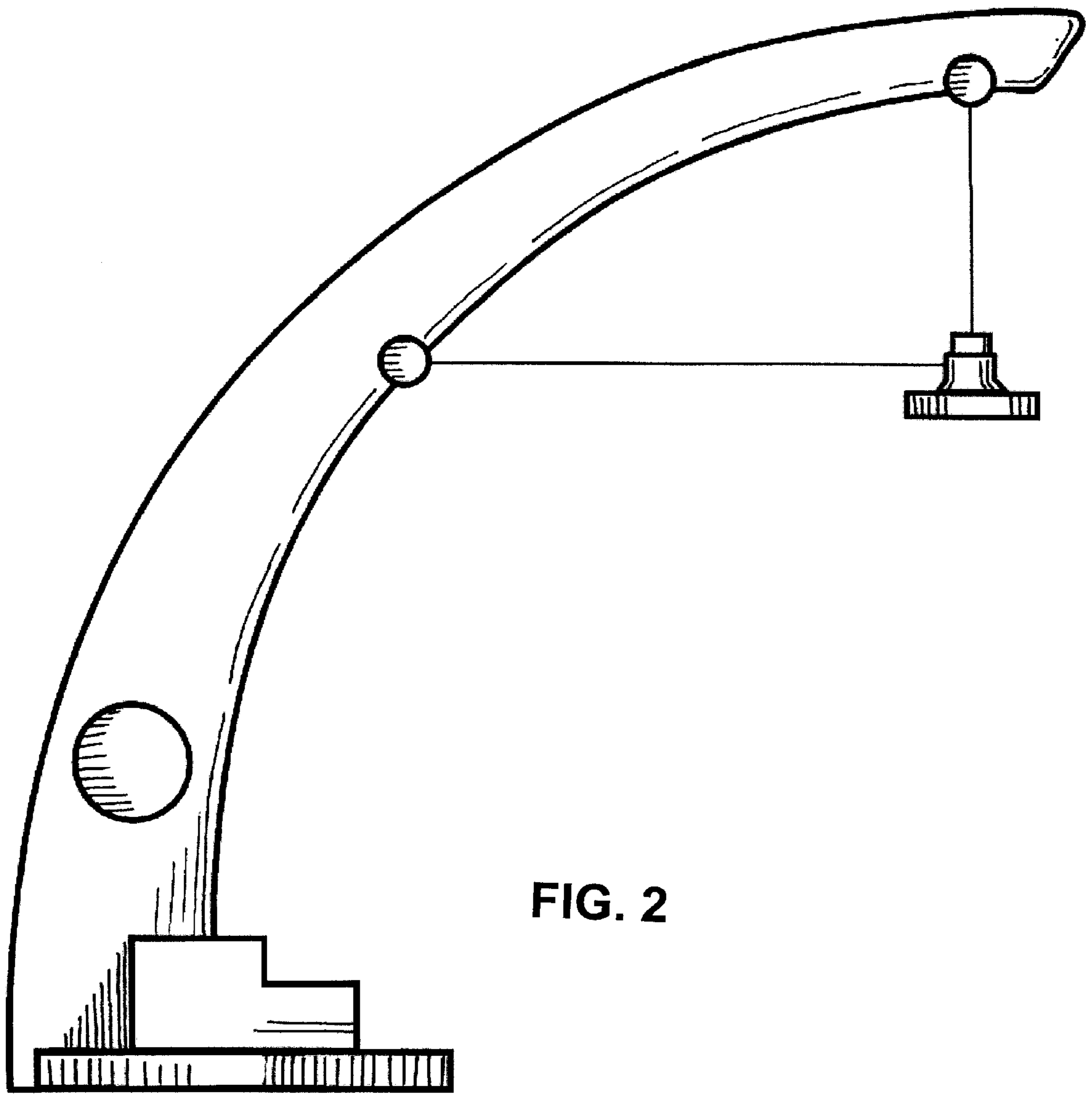


FIG. 2

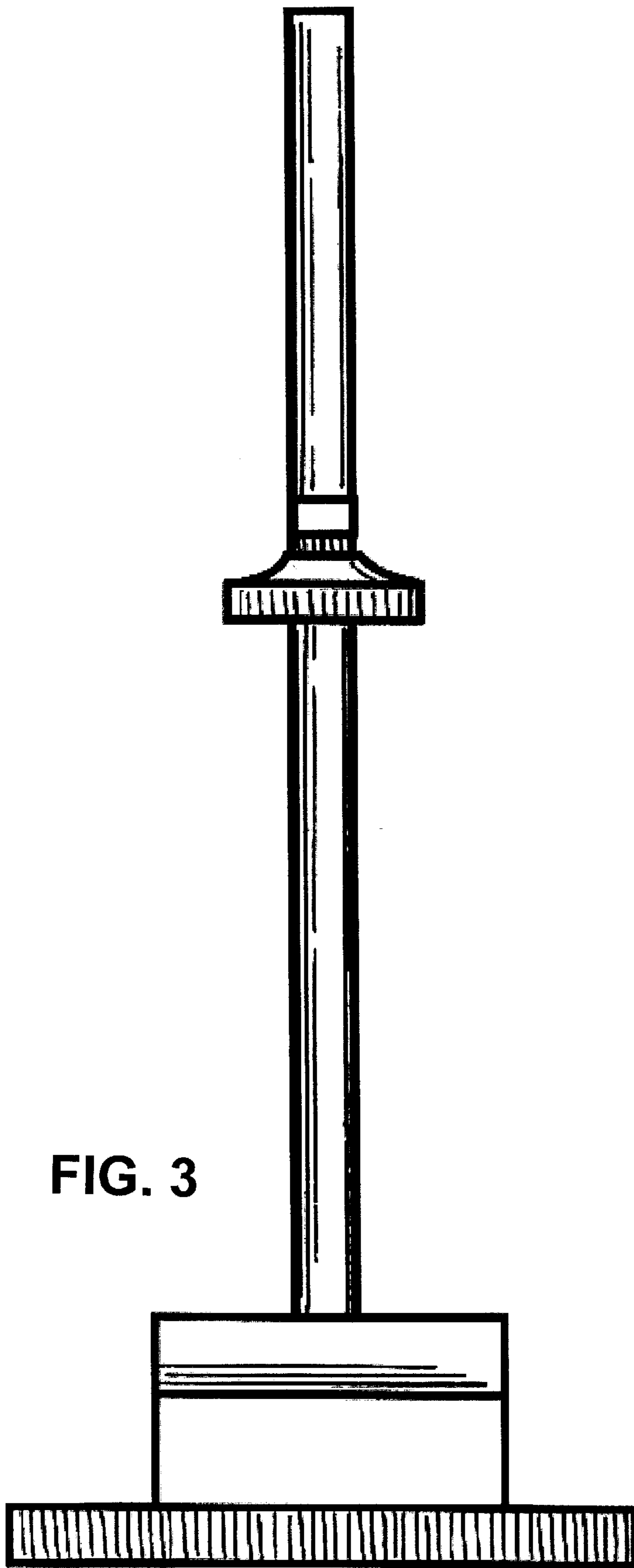


FIG. 3

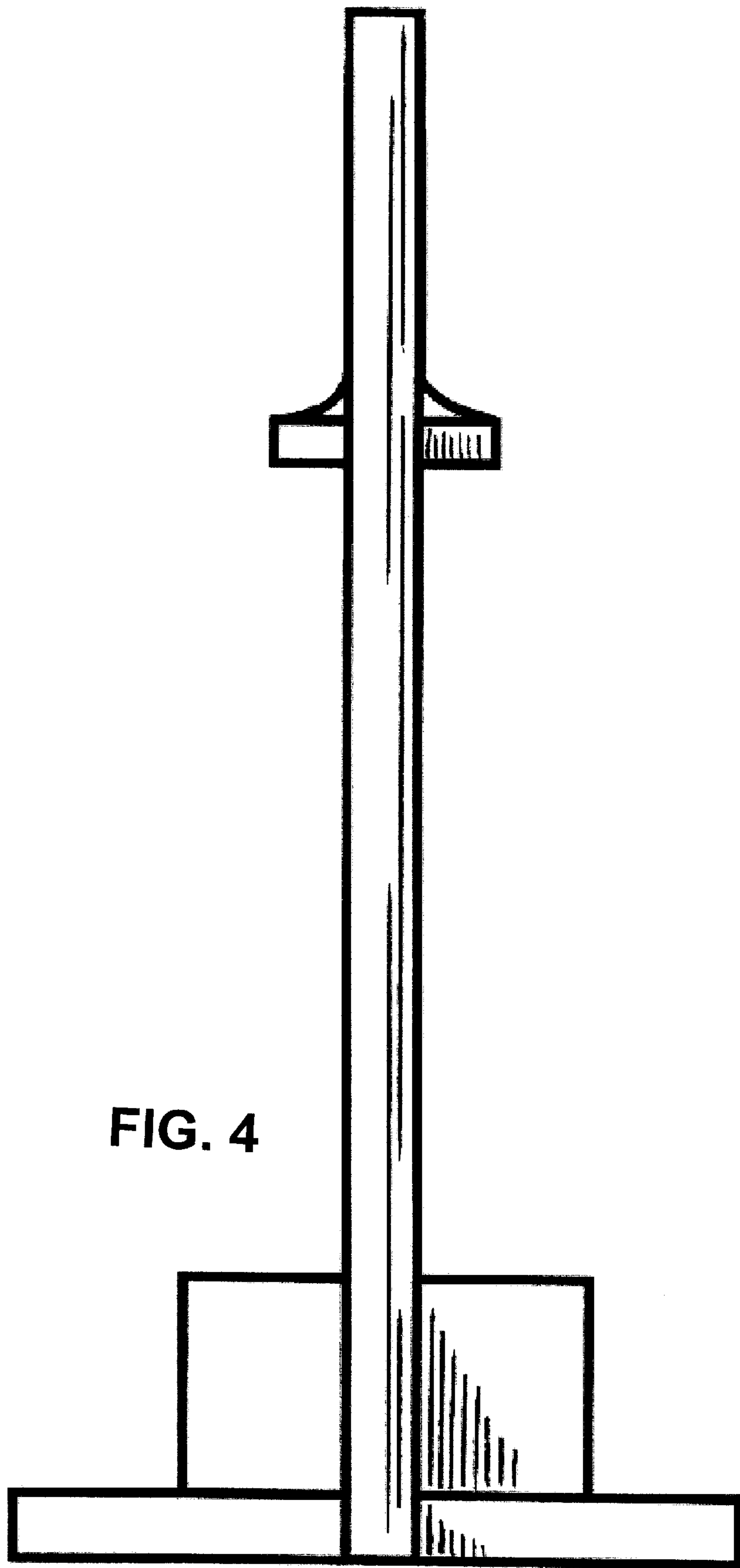


FIG. 4

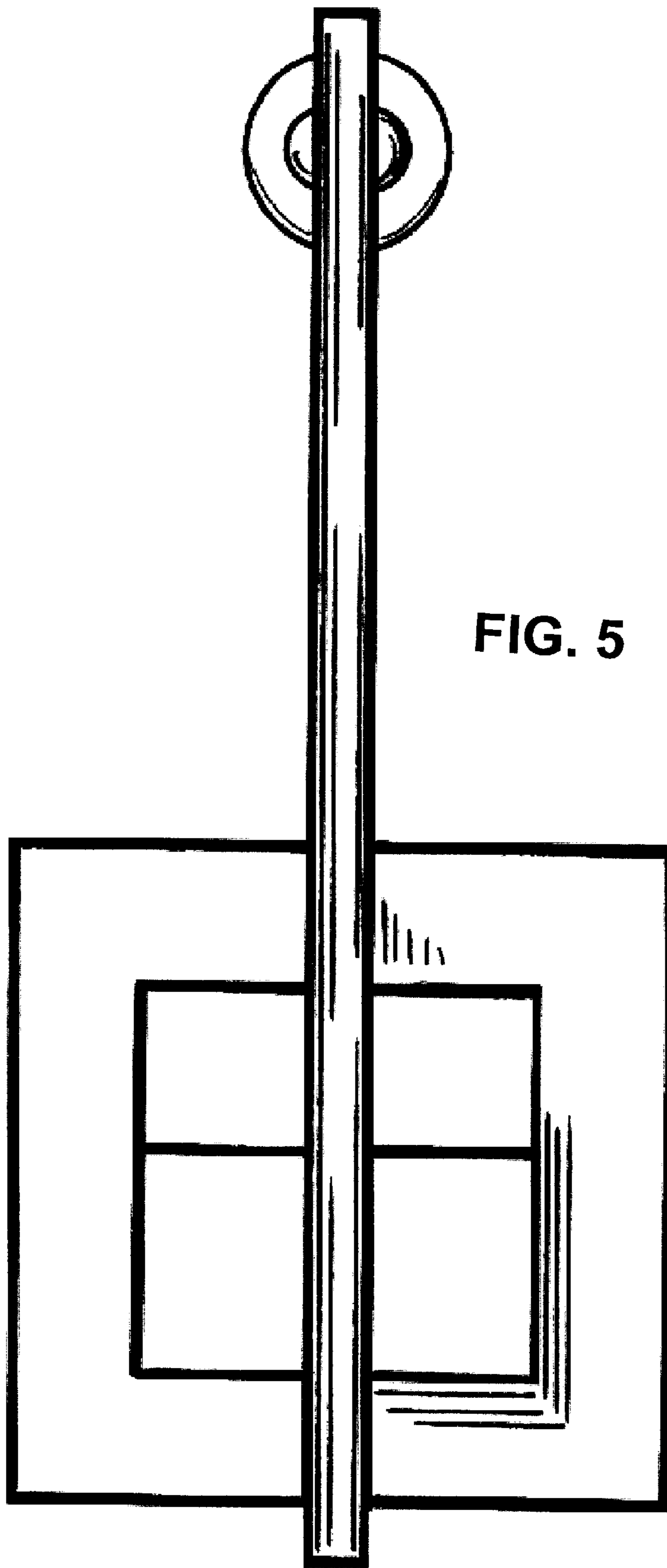


FIG. 5

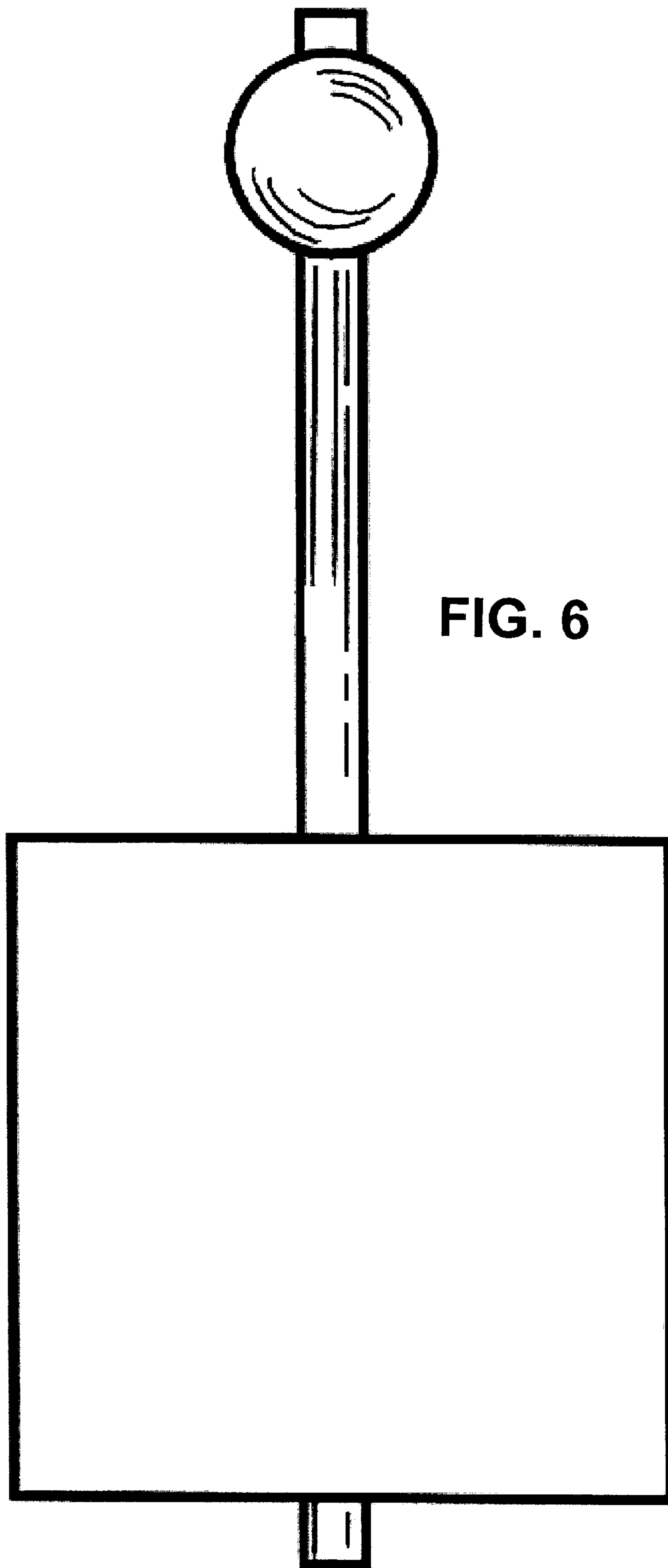


FIG. 6