



US00D477948S

(12) **United States Design Patent**  
**Paik**

(10) **Patent No.:** **US D477,948 S**

(45) **Date of Patent:** **\*\* Aug. 5, 2003**

(54) **TOOTHBRUSH HOLDER**

(76) Inventor: **Sung Jai Paik**, 23/4, 103-902 Sinwon  
Apartment, 204 Bun-dong, Gangbuk-gu,  
Seoul (KR)

(\*\*) Term: **14 Years**

(21) Appl. No.: **29/157,019**

(22) Filed: **Mar. 12, 2002**

(51) **LOC (7) Cl.** ..... **23-02**

(52) **U.S. Cl.** ..... **D6/534**

(58) **Field of Search** ..... D6/528, 534; D4/108,  
D4/113; 206/207, 209, 209.1, 361, 362,  
362.1, 362.2, 362.3; 312/206; 211/13.1,  
65, 66

(56) **References Cited**

**U.S. PATENT DOCUMENTS**

- 2,655,968 A \* 10/1953 Simmons ..... 206/362.3 X
- 2,950,946 A \* 8/1960 Starworth ..... 206/362.3 X
- 3,127,985 A \* 4/1964 Scott ..... 206/362.3
- 3,746,162 A \* 7/1973 Bridges ..... D6/534 X
- D247,939 S 5/1978 Warhaftig ..... D6/94
- 4,396,238 A \* 8/1983 Torruella ..... 312/206
- 5,044,039 A \* 9/1991 Picard ..... D6/534 X
- 5,924,567 A \* 7/1999 Wenum ..... 206/362.3

- D416,729 S \* 11/1999 Koop et al. .... D6/534
- D440,799 S 4/2001 Christianson ..... D6/528
- 6,343,700 B1 \* 2/2002 Slendebroek et al. 206/362.3 X

\* cited by examiner

*Primary Examiner*—Brian N. Vinson

(57) **CLAIM**

I claim the ornamental design for the toothbrush holder, as shown and described.

**DESCRIPTION**

FIG. 1 is a front perspective view of the new toothbrush holder of the present invention.  
 FIG. 2 is a front view thereof.  
 FIG. 3 is a rear view thereof.  
 FIG. 4 is a top plan view thereof.  
 FIG. 5 is a bottom plan view thereof.  
 FIG. 6 is a left side view thereof.  
 FIG. 7 is a right side view thereof.  
 FIG. 8 is a cross sectional view thereof; and,  
 FIG. 9 is a vertical cross-sectional view thereof, taken along line A—A of FIG. 2, with the broken-line disclosure of a toothbrush being for illustrative purposes only and forming no part of the claimed design.

**1 Claim, 4 Drawing Sheets**

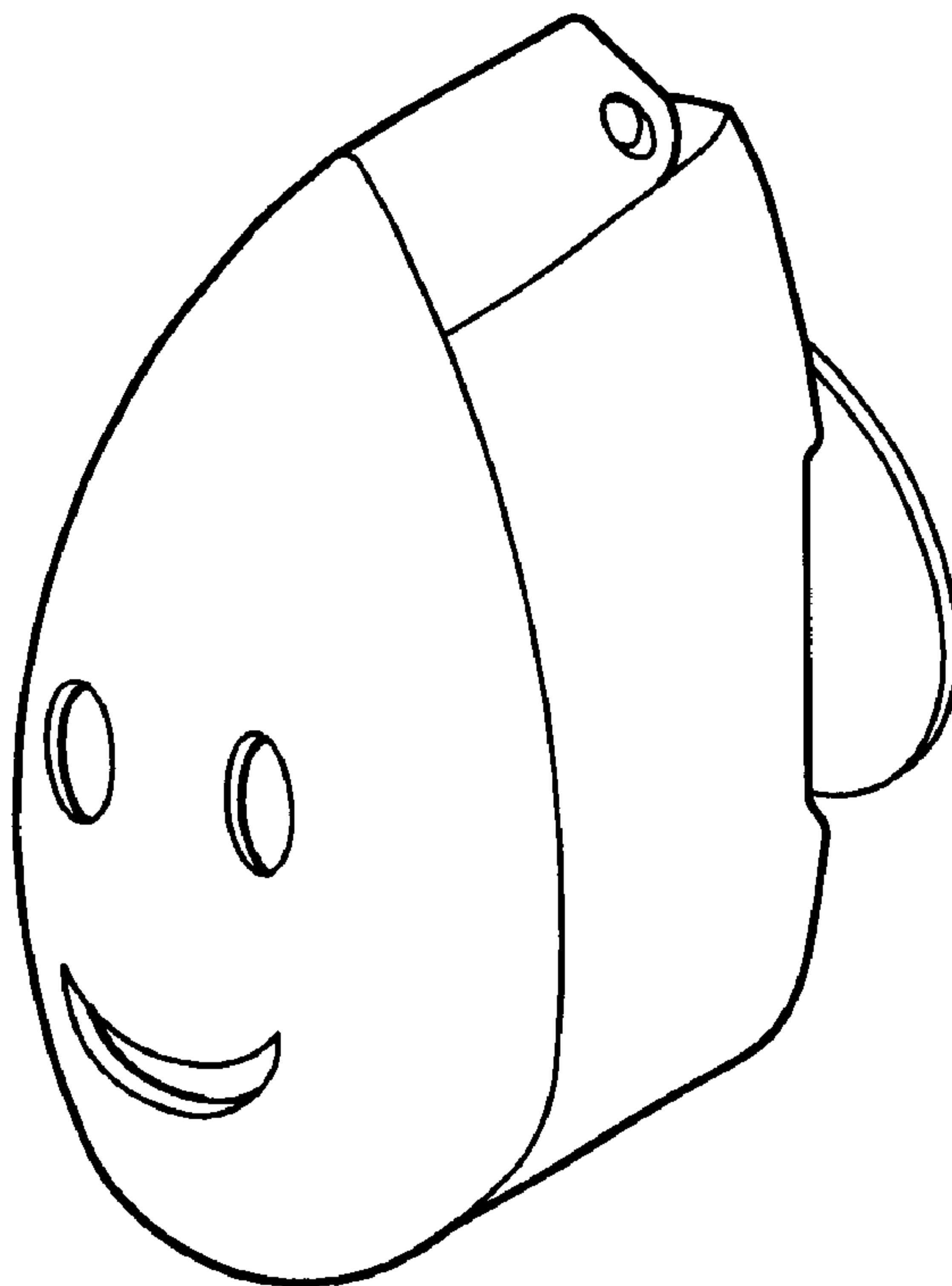
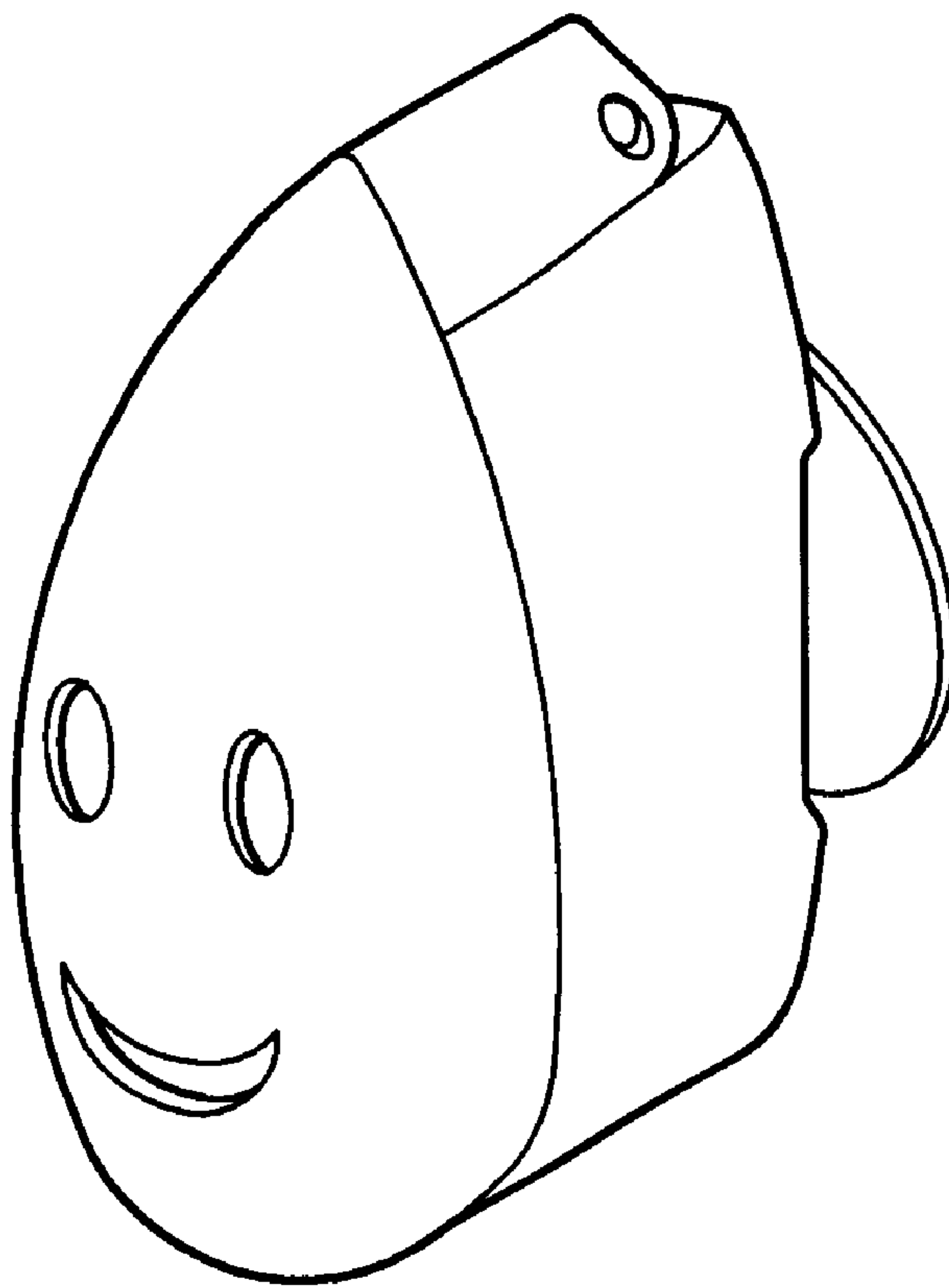
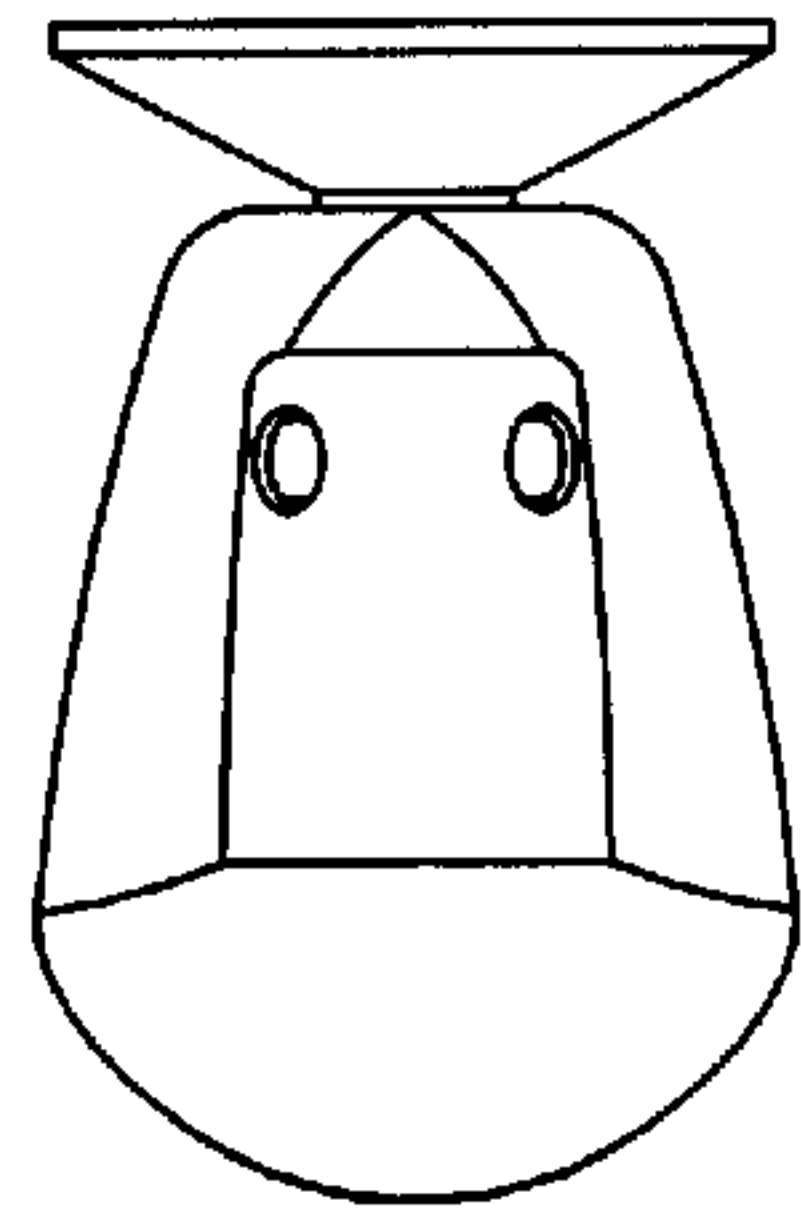


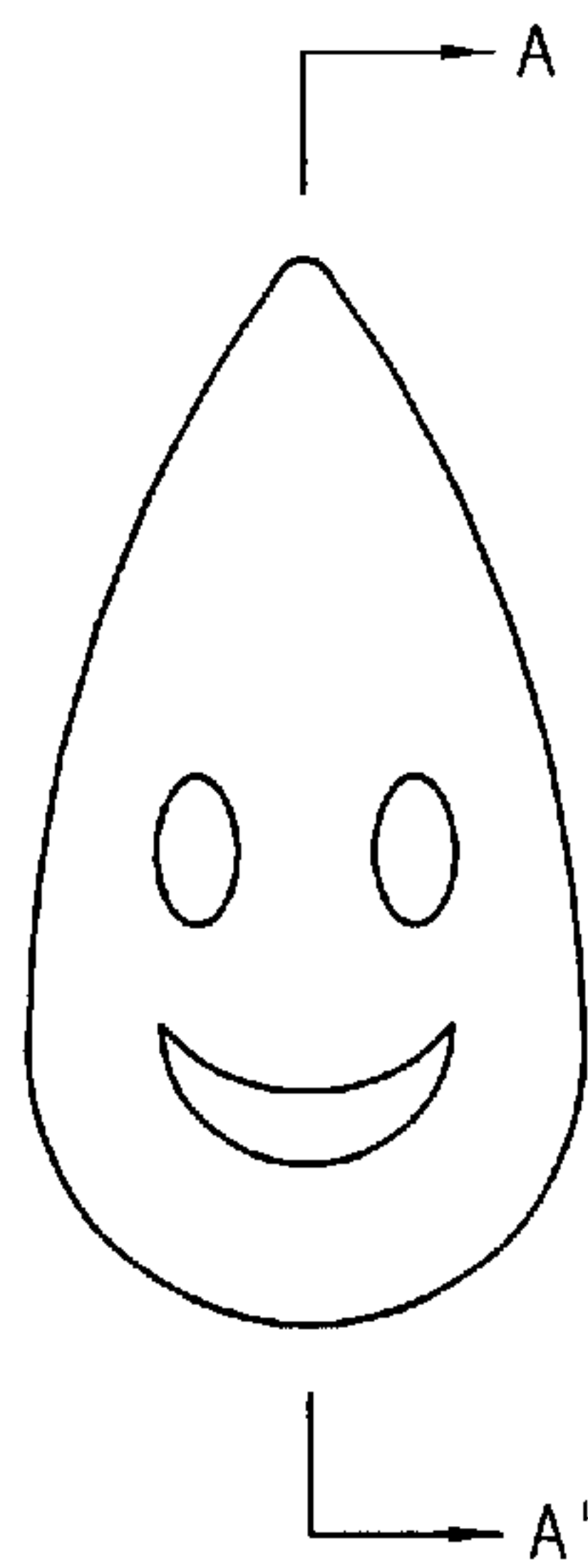
fig. 1



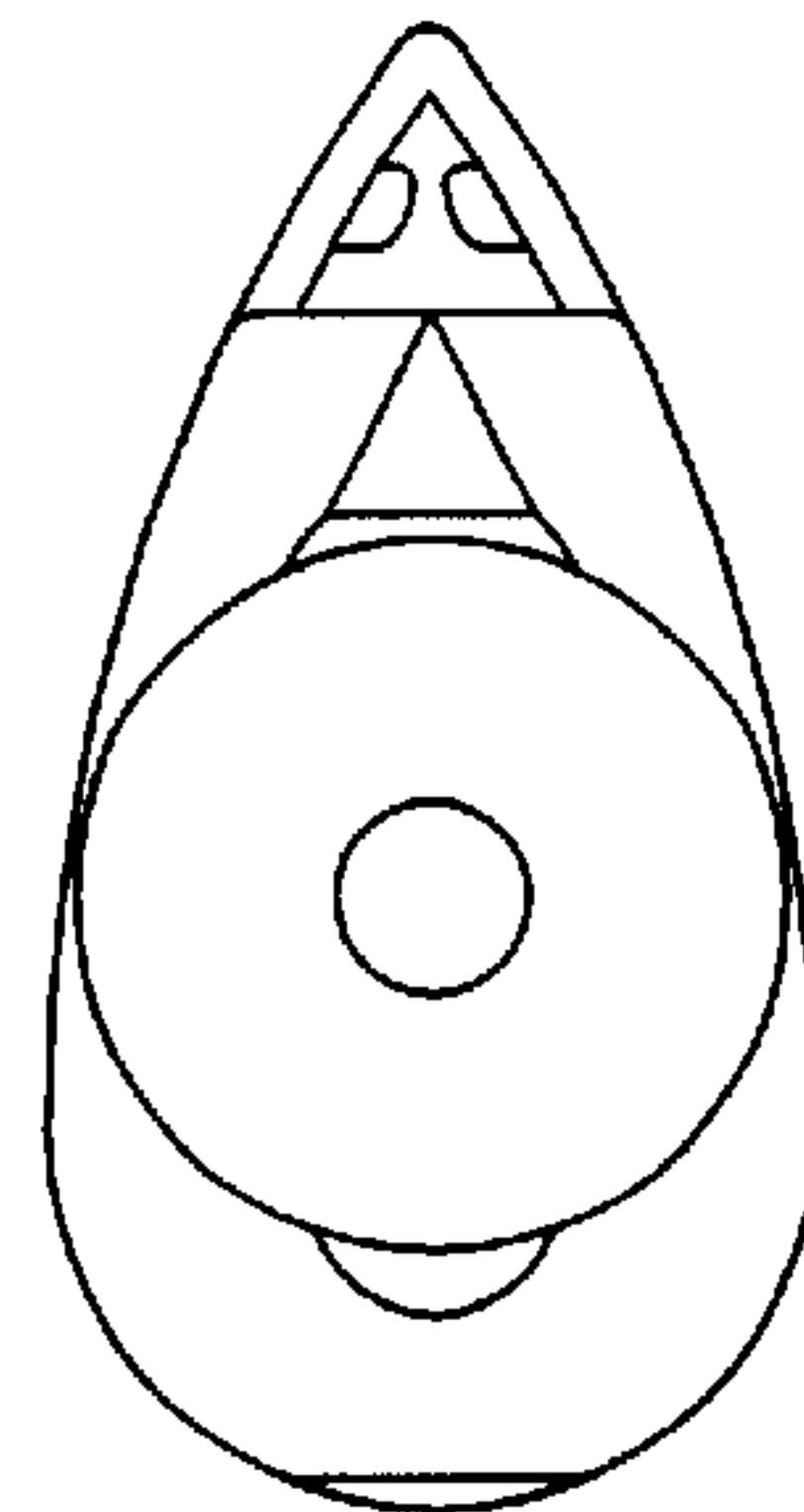
fig, 4



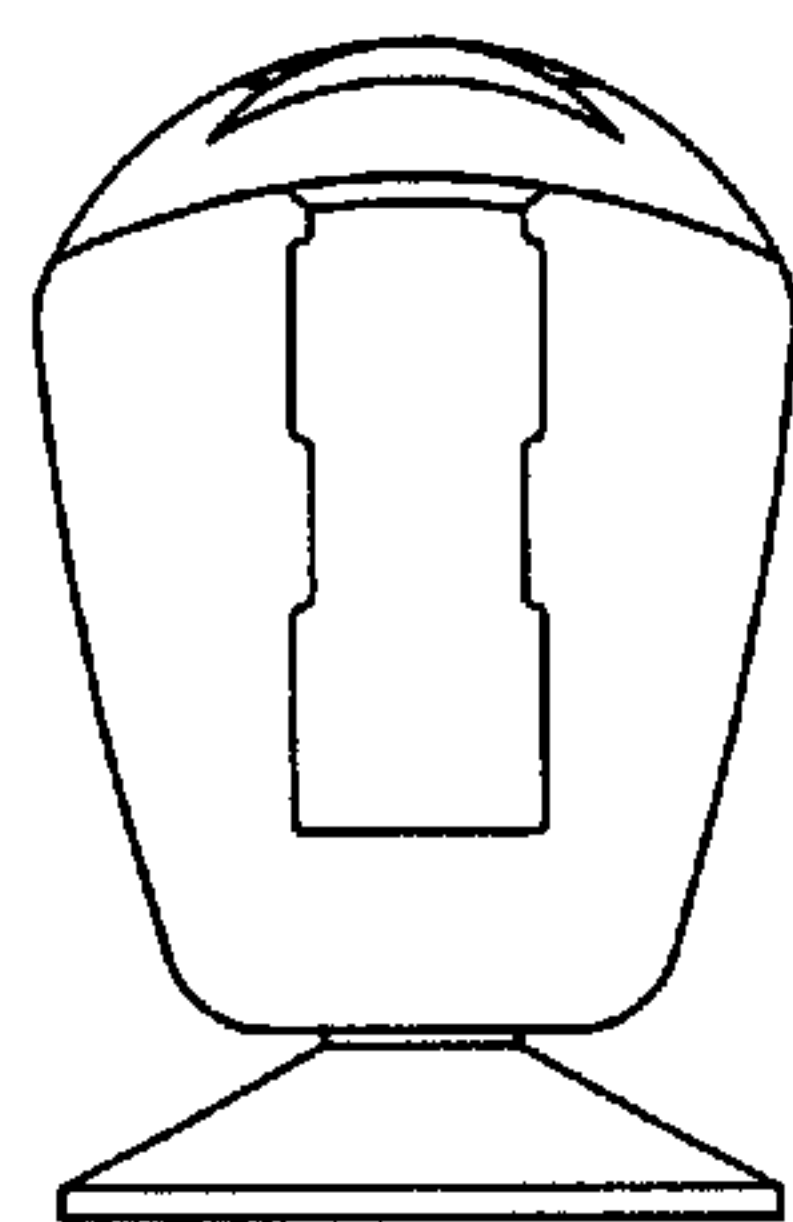
fig, 2



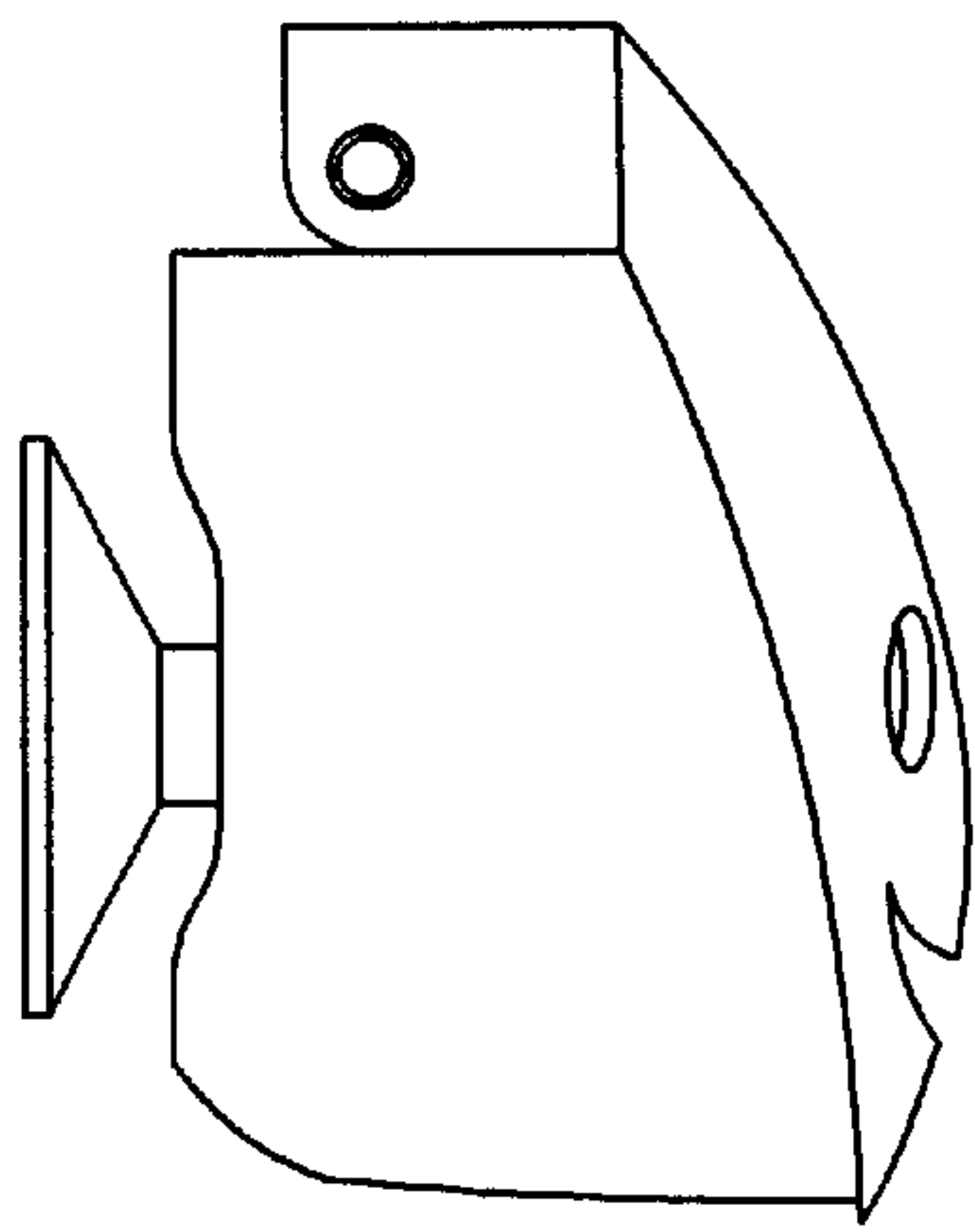
fig, 3



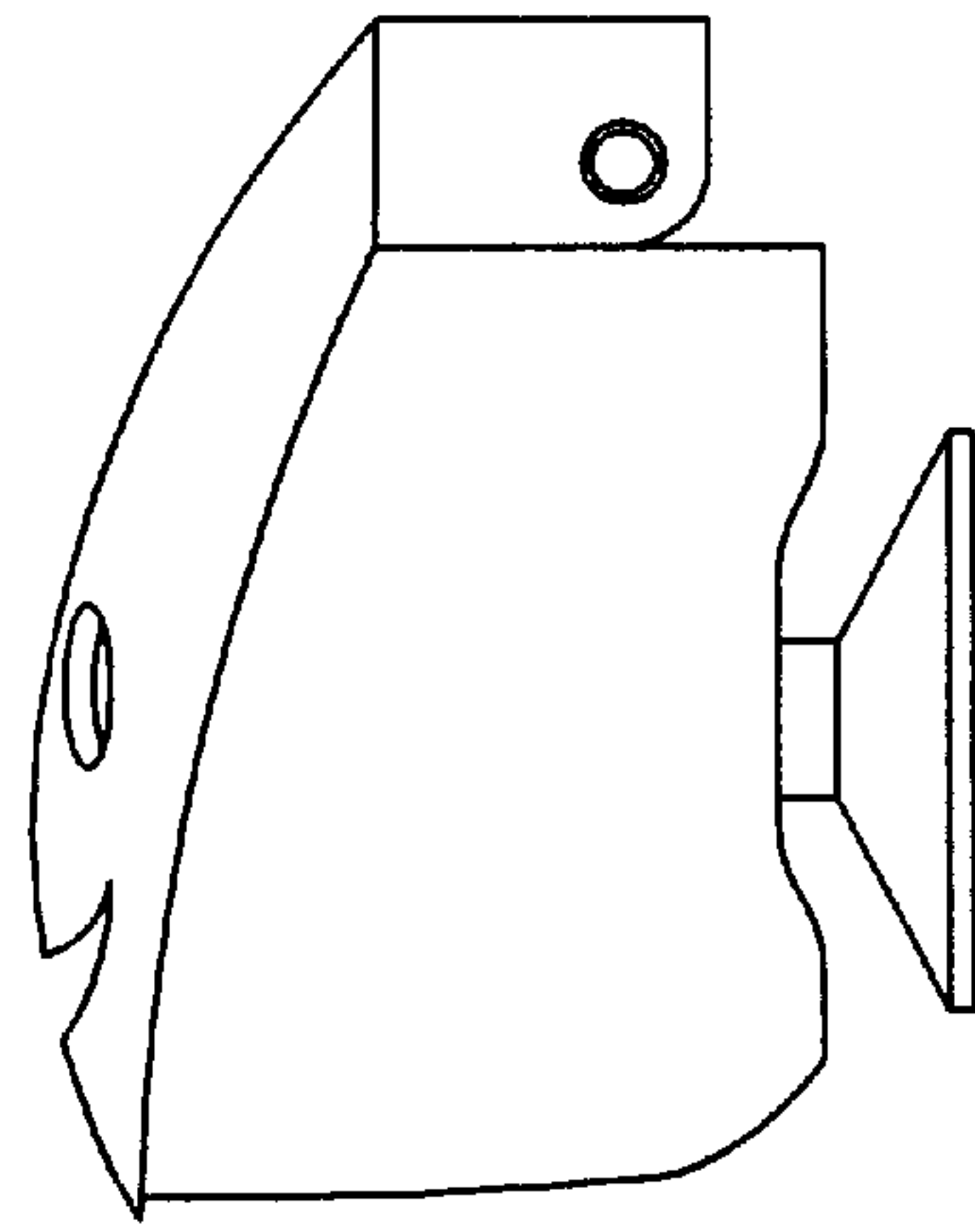
fig, 5



fig, 6



fig, 7



fig, 8

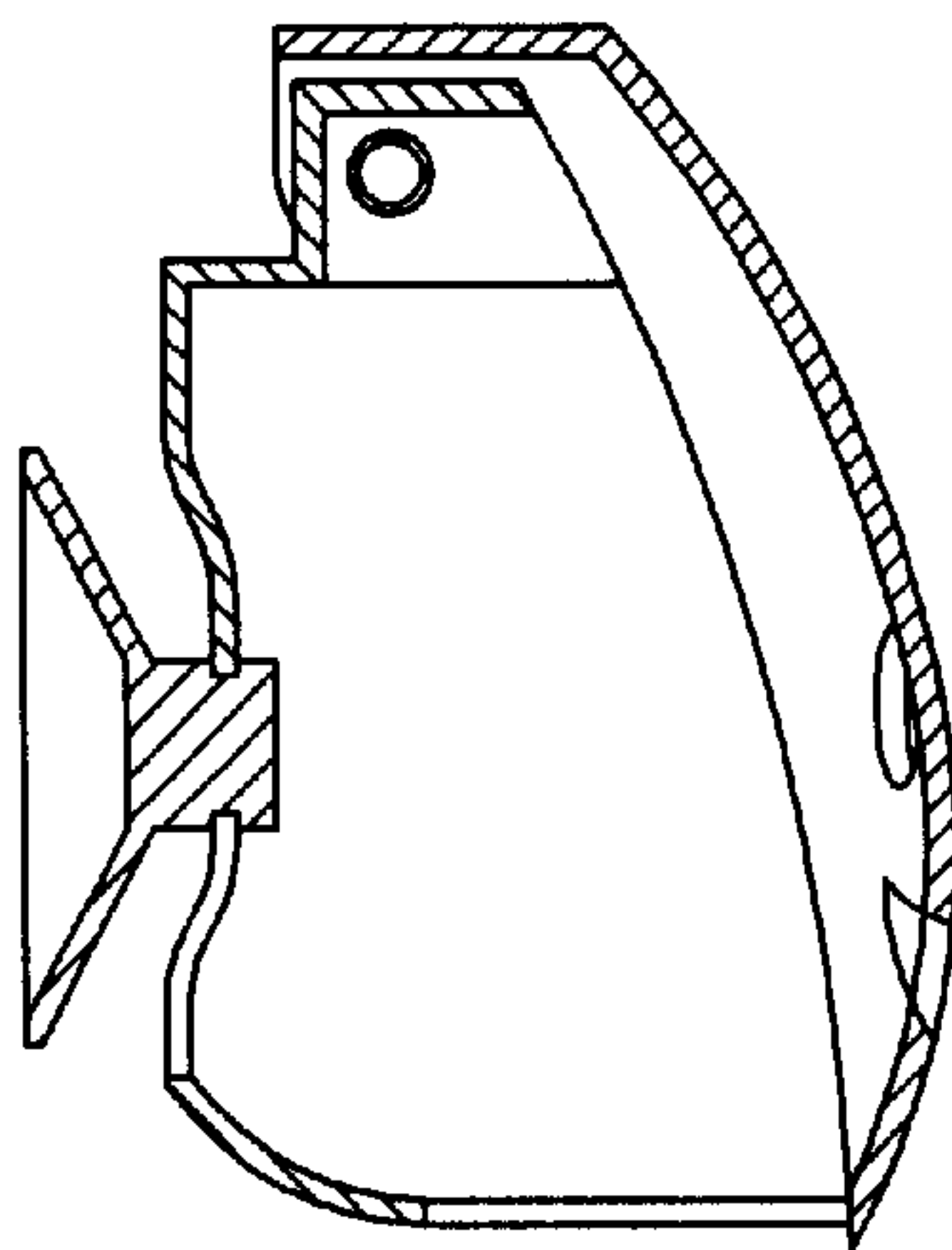


fig. 9

