



US00D477947S

(12) **United States Design Patent**
Snell

(10) **Patent No.:** **US D477,947 S**

(45) **Date of Patent:** **** Aug. 5, 2003**

(54) **SHOWER CADDY**

(75) Inventor: **Russell Benton Snell**, Bentleyville, OH (US)

(73) Assignee: **InterDesign, Inc.**, Solon, OH (US)

(**) Term: **14 Years**

(21) Appl. No.: **29/170,541**

(22) Filed: **Nov. 7, 2002**

(51) **LOC (7) Cl.** **23-02**

(52) **U.S. Cl.** **D6/525**

(58) **Field of Search** D6/524, 525, 566;
211/13.1, 71, 74-75, 86-88, 90, 126.1,
134, 181.1; 206/77.1

(56) **References Cited**

U.S. PATENT DOCUMENTS

| | | | | | |
|------------|---|--------|--------------|-------|--------|
| D294,902 S | * | 3/1988 | Sussman | | D6/525 |
| D315,840 S | * | 4/1991 | Emery | | D6/525 |
| D378,556 S | * | 3/1997 | Munoz | | D6/525 |
| D396,585 S | * | 8/1998 | Hofman | | D6/525 |
| D446,670 S | * | 8/2001 | Emery et al. | | D6/525 |

* cited by examiner

Primary Examiner—Brian N. Vinson
(74) *Attorney, Agent, or Firm*—D. Peter Hochberg;
Katherine R. Vieyra; Sean Mellino

(57) **CLAIM**

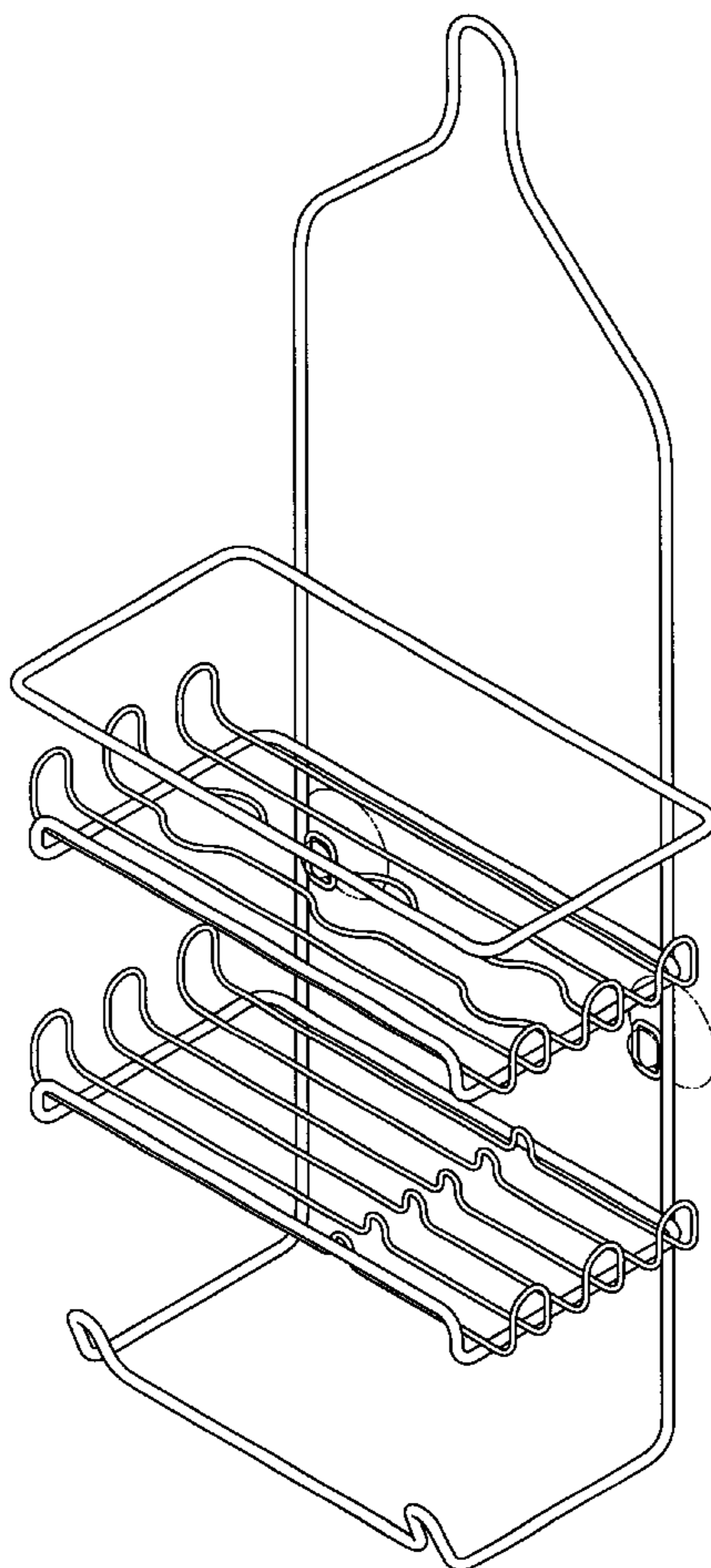
The ornamental design for a shower caddy, as shown and described.

DESCRIPTION

FIG. 1 is a perspective view of the shower caddy according to the invention;
FIG. 2 is a top view of the shower caddy as shown in FIG. 1;
FIG. 3 is a front view of the shower caddy as shown in FIG. 1;
FIG. 4 is a side view of the shower caddy as shown in FIG. 1;
FIG. 5 is a rear view of the shower caddy as shown in FIG. 1;
FIG. 6 is a side view of the shower caddy as shown in FIG. 1, shown from the opposite side as that shown in FIG. 4; and,
FIG. 7 is a bottom view of the shower caddy as shown in FIG. 1.

The broken-line disclosure in the views is for illustrative purposes only and forms no part of the claimed design.

1 Claim, 3 Drawing Sheets



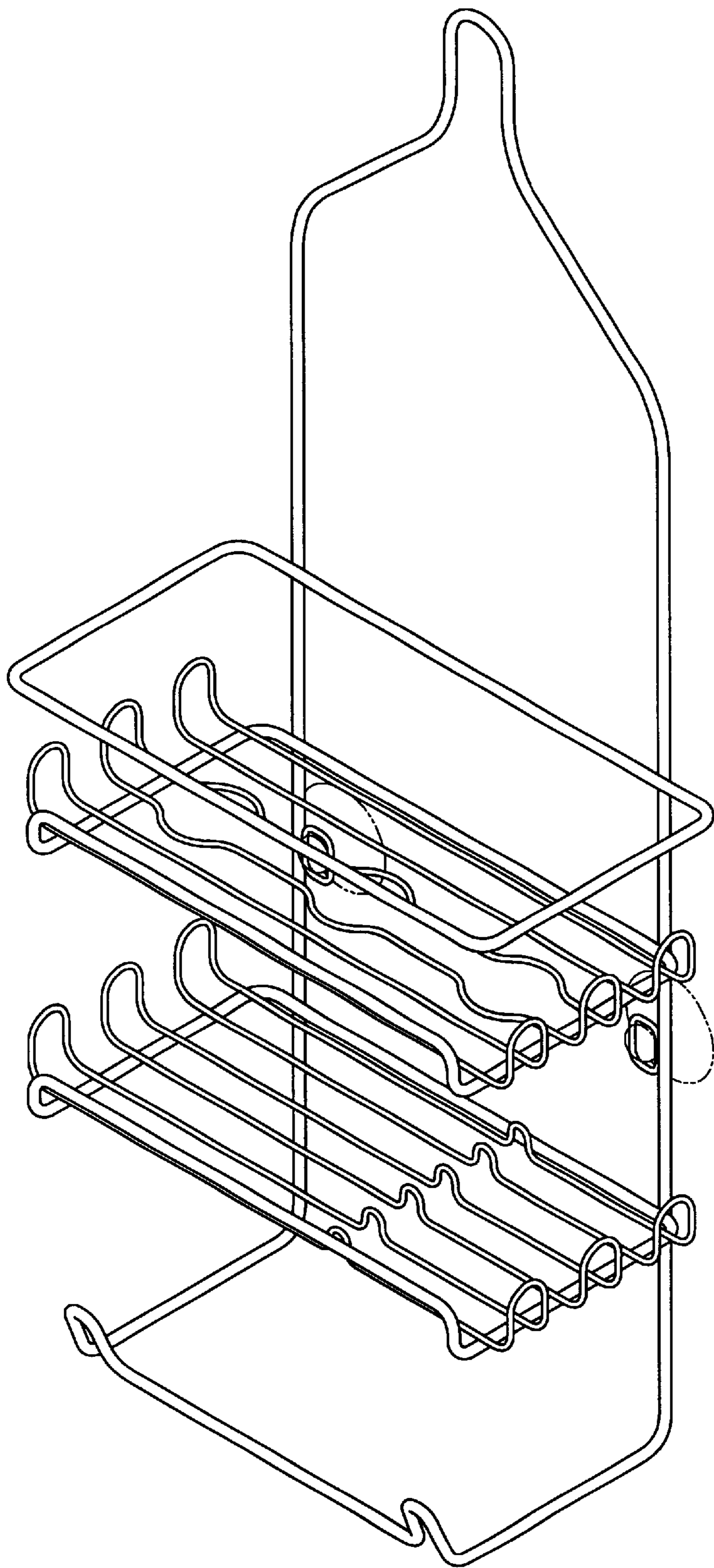


FIG-1

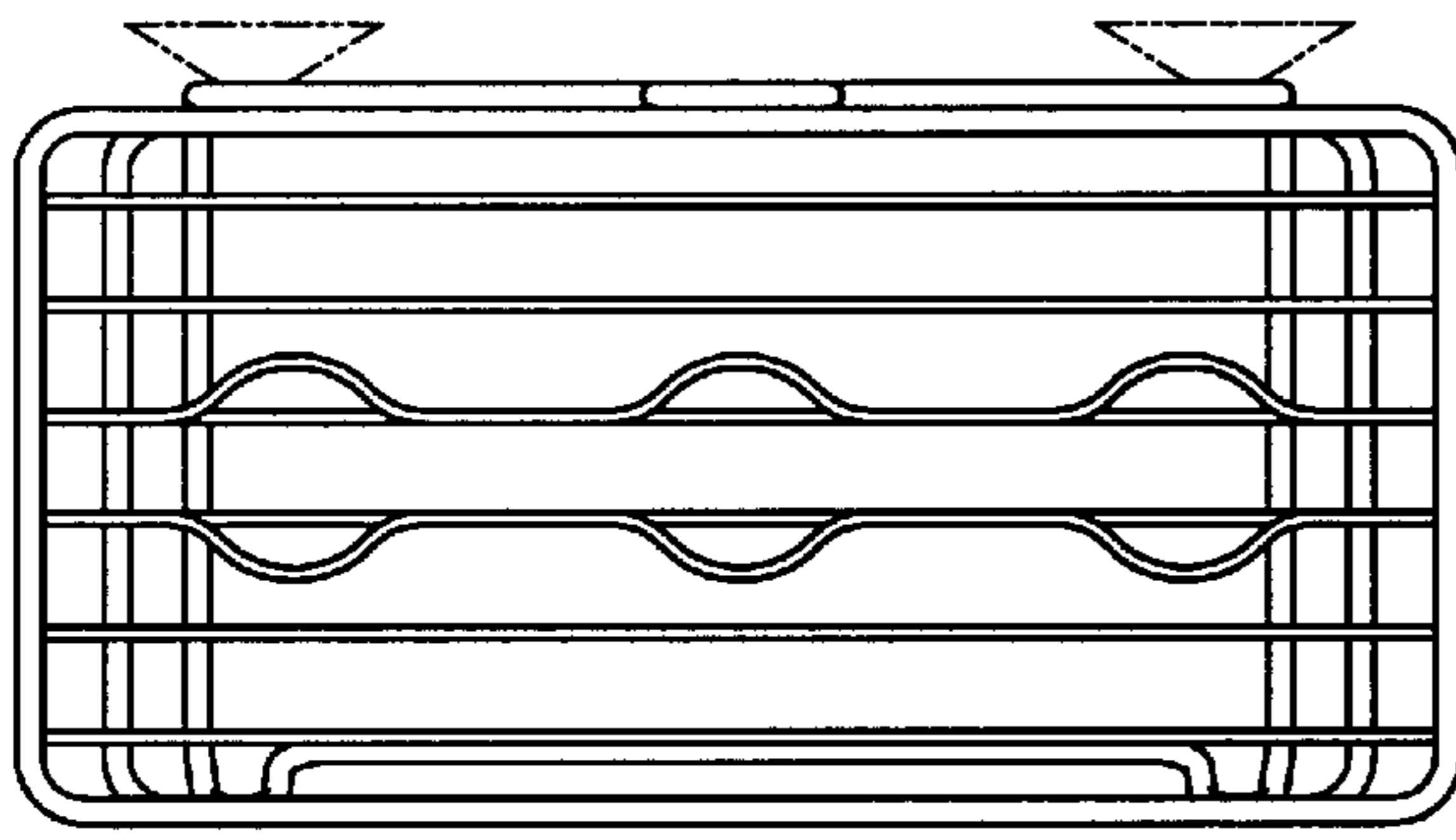


FIG-2

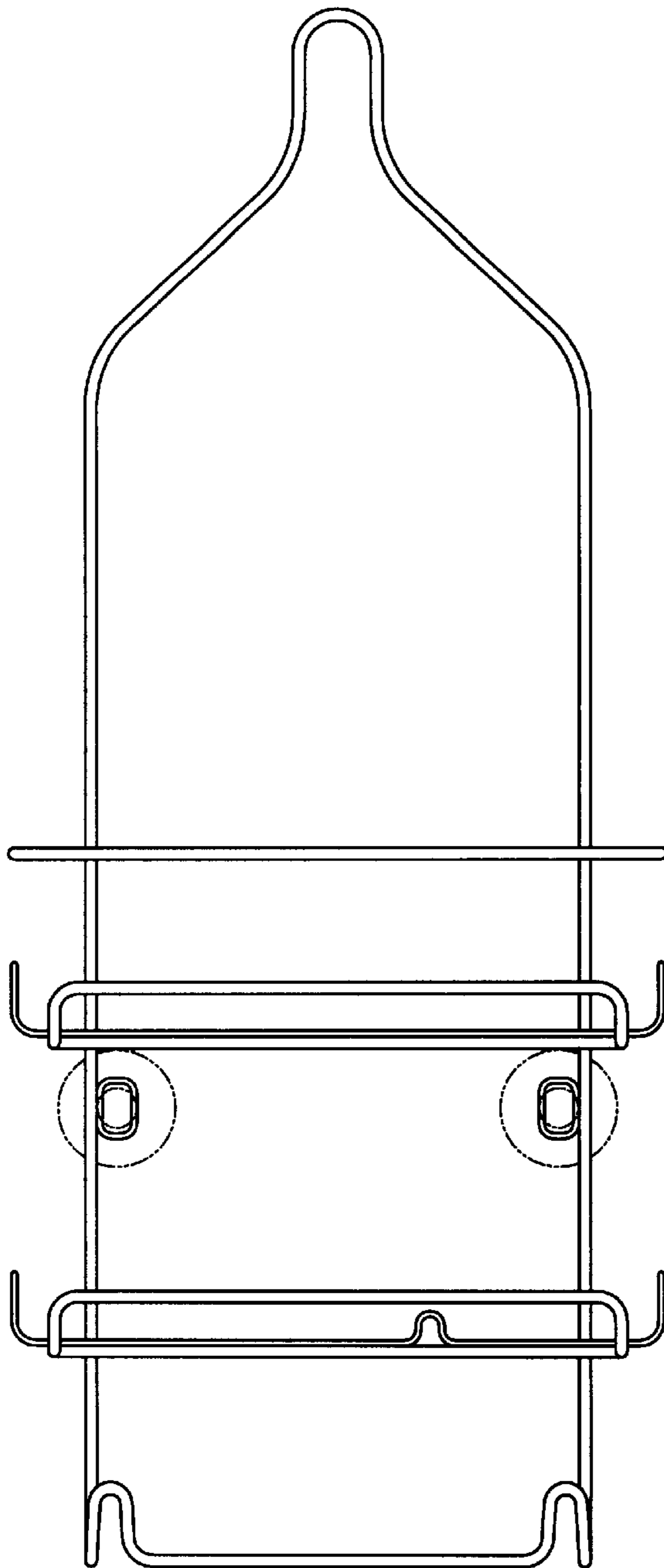


FIG-3

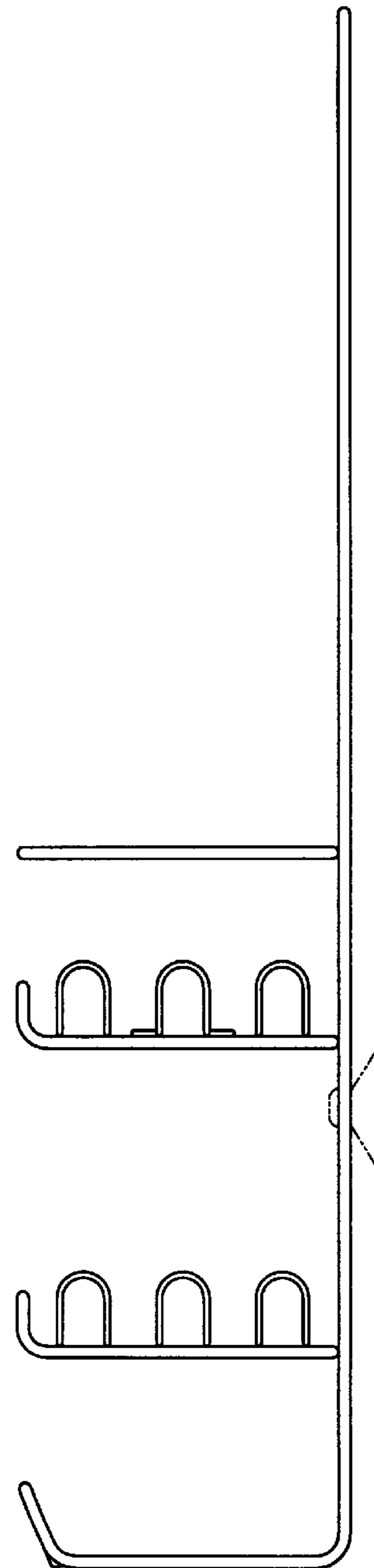


FIG-4

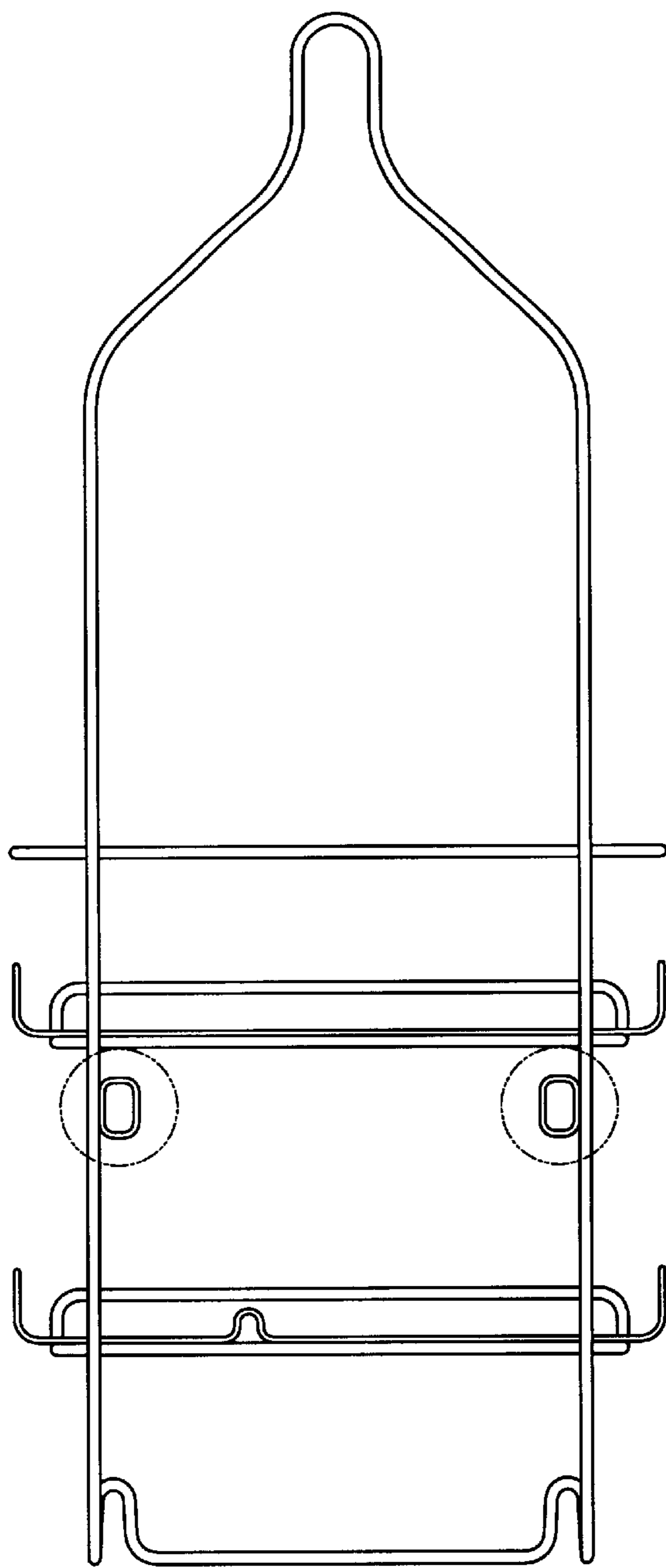


FIG-5

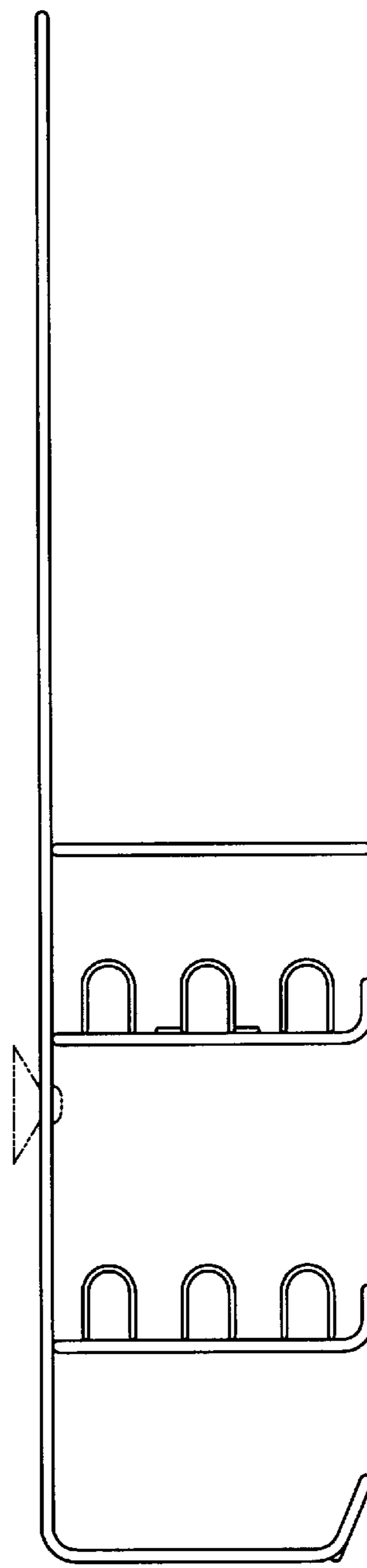


FIG-6

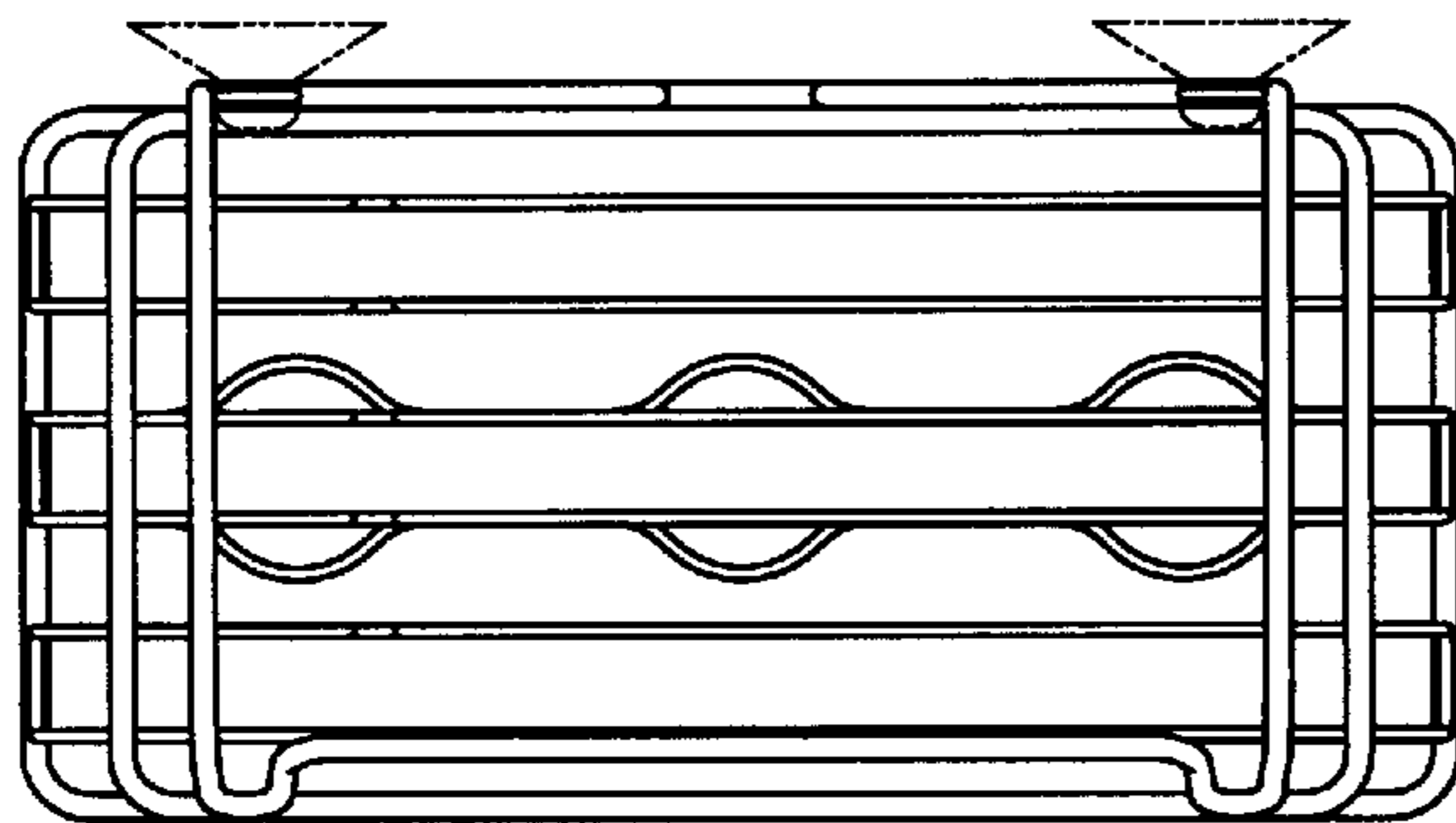


FIG-7