



US00D477946S

(12) **United States Design Patent**
Ouano

(10) **Patent No.:** **US D477,946 S**

(45) **Date of Patent:** **** Aug. 5, 2003**

(54) **BATH ACCESSORY POST**

(75) Inventor: **Magno Ouano**, Jersey City, NJ (US)

(73) Assignee: **Bath Unlimited, Inc.**, Passaic, NJ (US)

(**) Term: **14 Years**

(21) Appl. No.: **29/162,373**

(22) Filed: **Jun. 14, 2002**

(51) **LOC (7) Cl.** **23-02**

(52) **U.S. Cl.** **D6/524; D6/550**

(58) **Field of Search** D6/546-50, 518,
D6/522-24; D8/300, 303, 315-21, 354,
363, 373, 380; 108/28-29; 211/13.1, 16,
60.1, 86.01, 87.01, 88.01, 88.04, 100, 105.1-105.2,
119.003, 123, 126.1, 133.6, 134, 181.1,
182; 248/175, 176.1, 200, 214, 251, 302,
309.1; 16/110.1, 412, 415; 242/570, 590,
595-598; 206/389, 557

(56) **References Cited**

U.S. PATENT DOCUMENTS

D41,956 S	*	12/1911	Nelson	D6/549
D53,683 S	*	8/1919	Jordan	D6/549
3,098,240 A	*	7/1963	Fleenor	248/251
D337,034 S	*	7/1993	Berry, Jr.	D8/107
D454,745 S	*	3/2002	Wright	D6/550
D465,365 S	*	11/2002	Moore	D6/523

D466,734 S * 12/2002 Moore D6/523

* cited by examiner

Primary Examiner—Brian N. Vinson

(74) *Attorney, Agent, or Firm*—Edgar A. Zarins; Lloyd D. Doigan

(57) **CLAIM**

The ornamental design for a bath accessory post, as shown and described.

DESCRIPTION

FIG. 1 is a perspective view of a bath accessory post showing my new design;
FIG. 2 is a front elevational view thereof;
FIG. 3 is a top plan view thereof;
FIG. 4 is a right side view thereof;
FIG. 5 is a left side view thereof;
FIG. 6 is a bottom plan view thereof;
FIG. 7 is a rear view thereof;
FIG. 8 is a perspective view of an alternative embodiment thereof;
FIG. 9 is a top plan view thereof;
FIG. 10 is a right side view thereof;
FIG. 11 is a left side view thereof;
FIG. 12 is a bottom plan view thereof; and,
FIG. 13 is a front elevational view thereof.

1 Claim, 4 Drawing Sheets

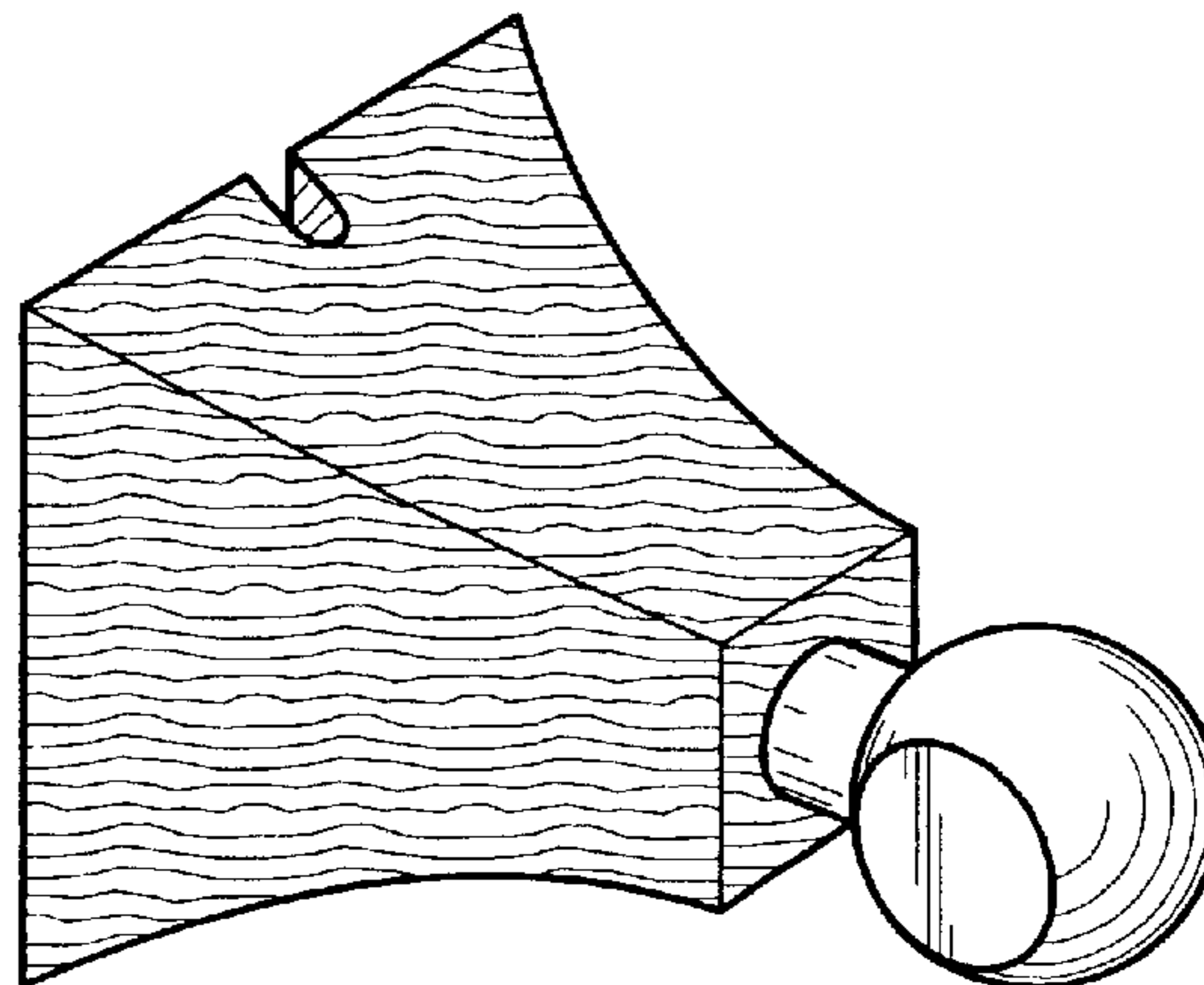
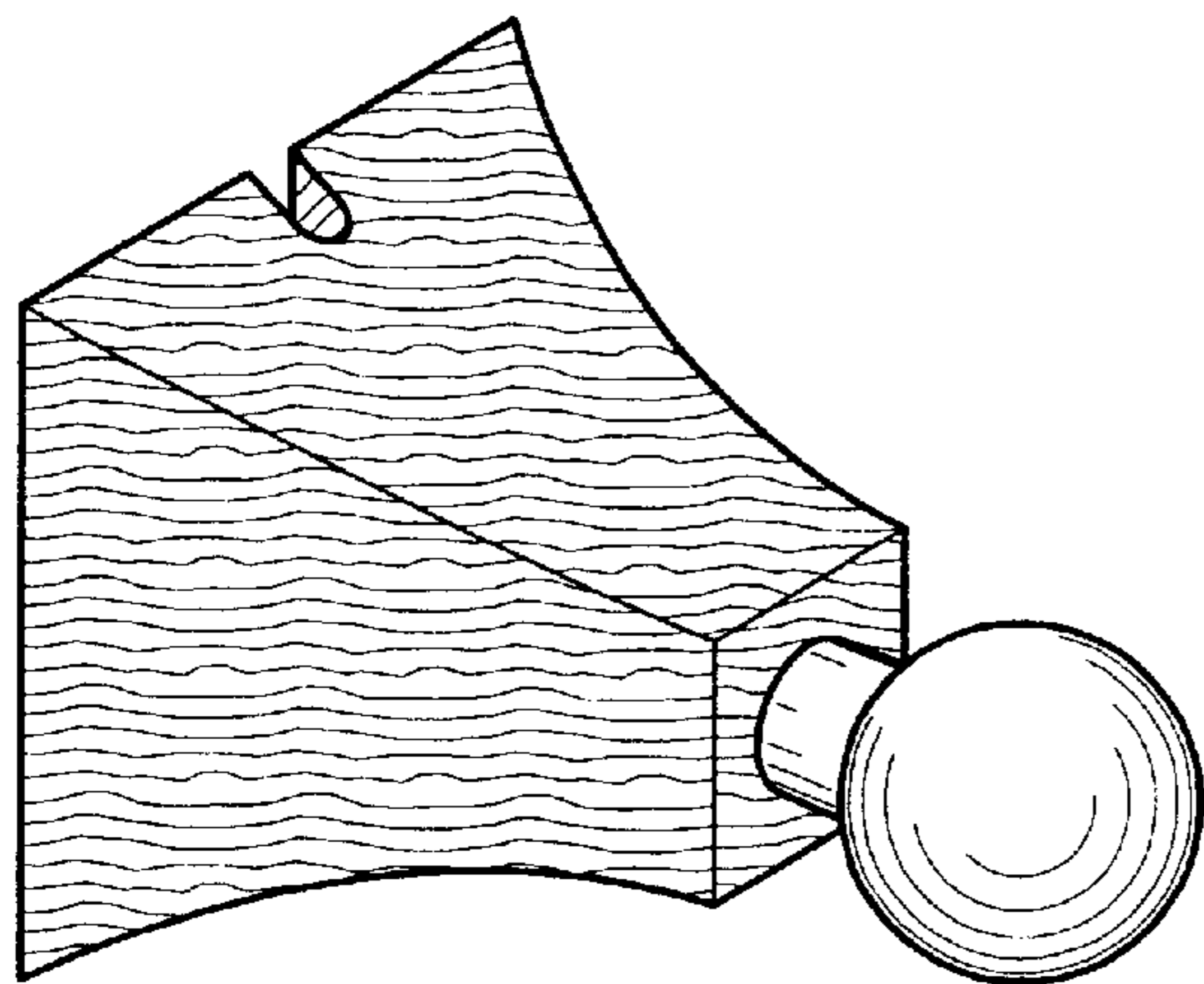


Figure - 1

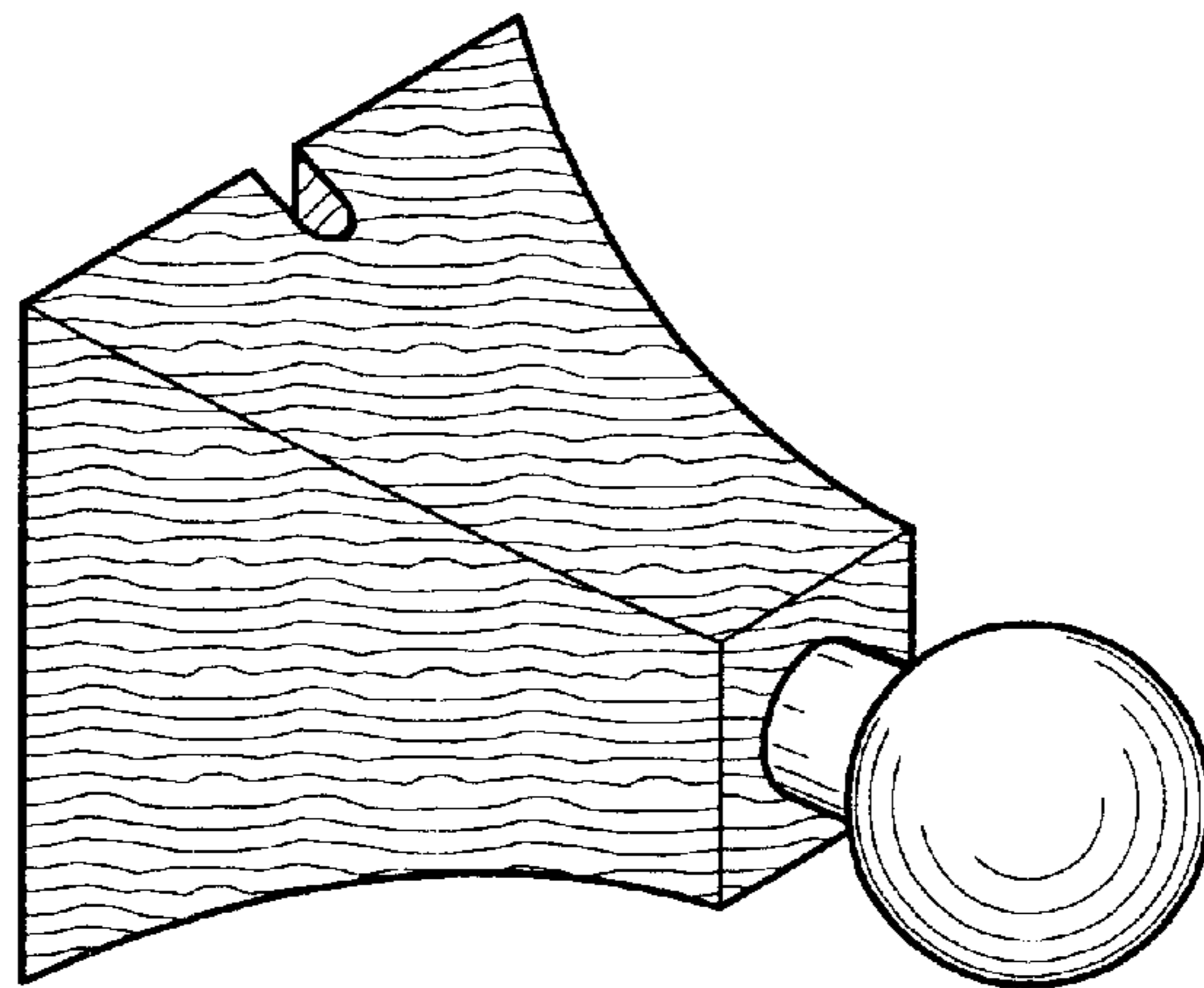


Figure - 3

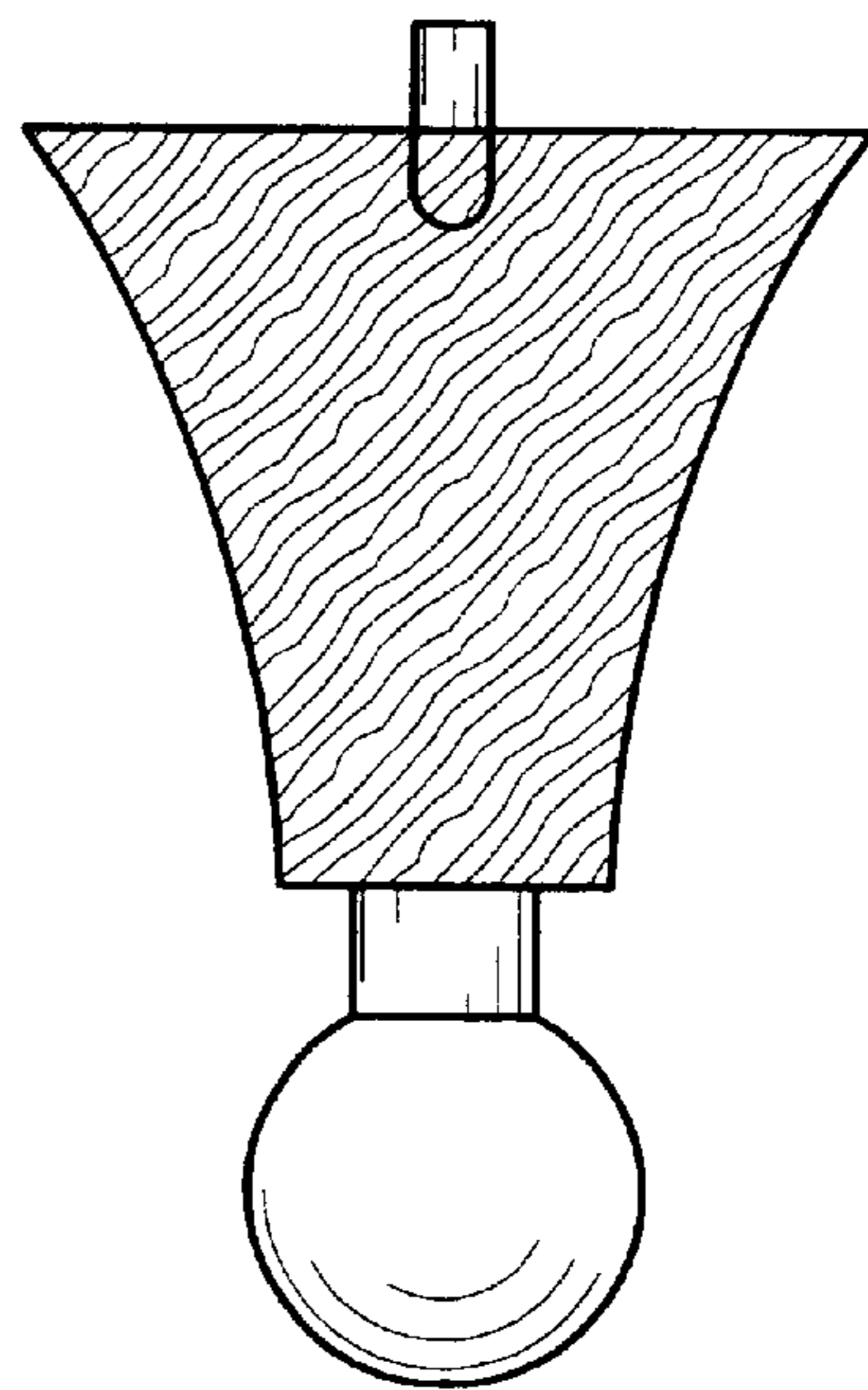
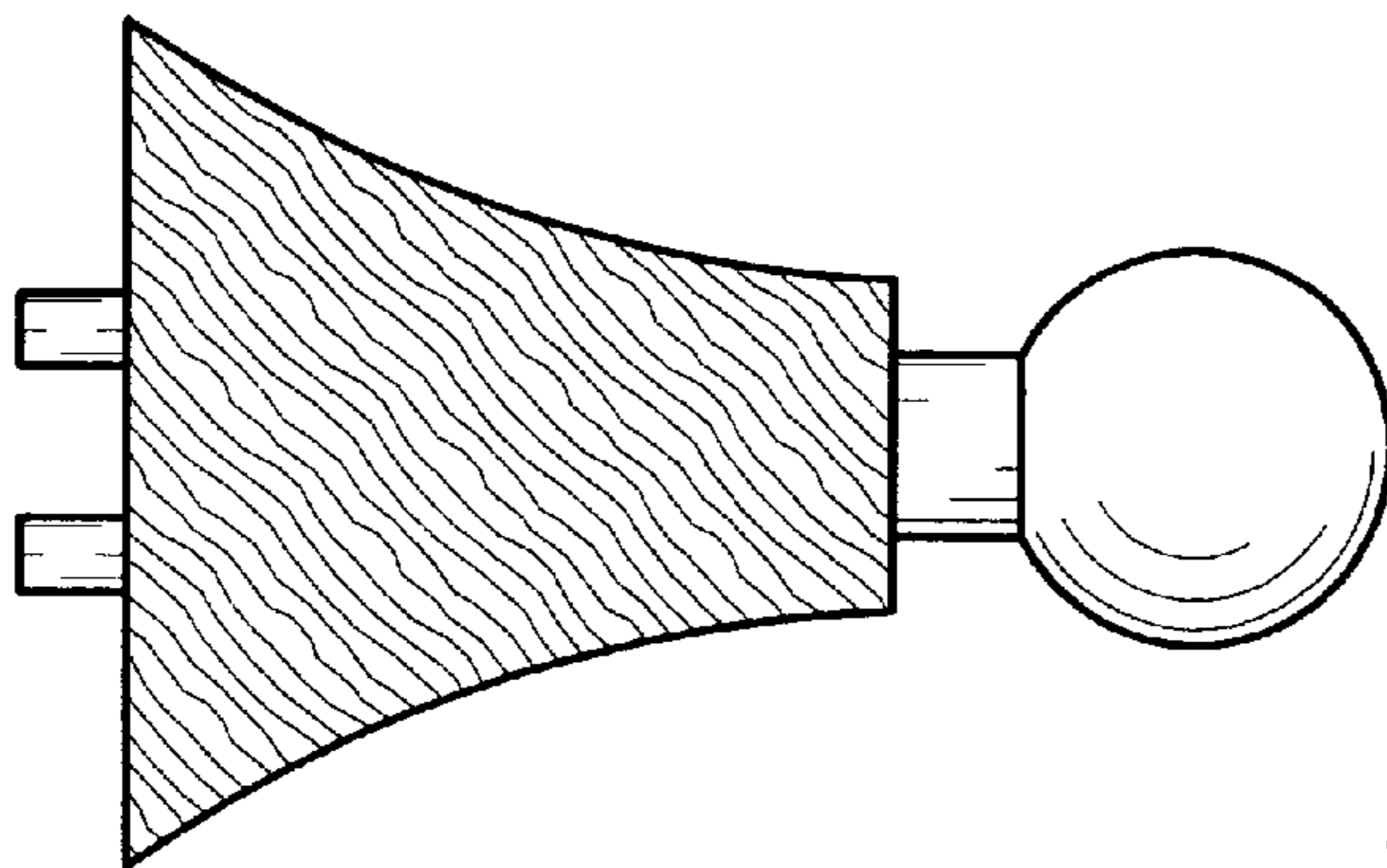


Figure - 4



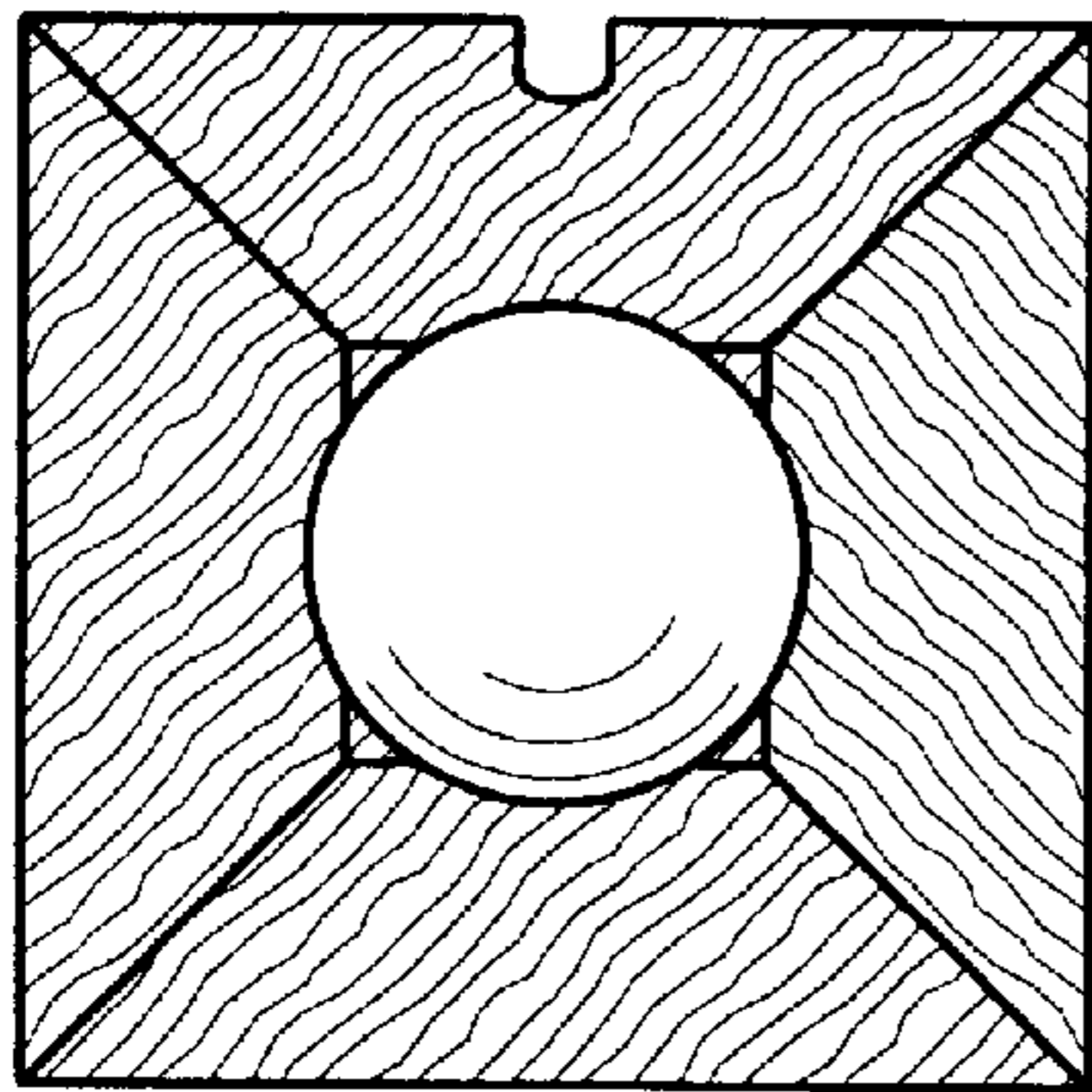


Figure - 2

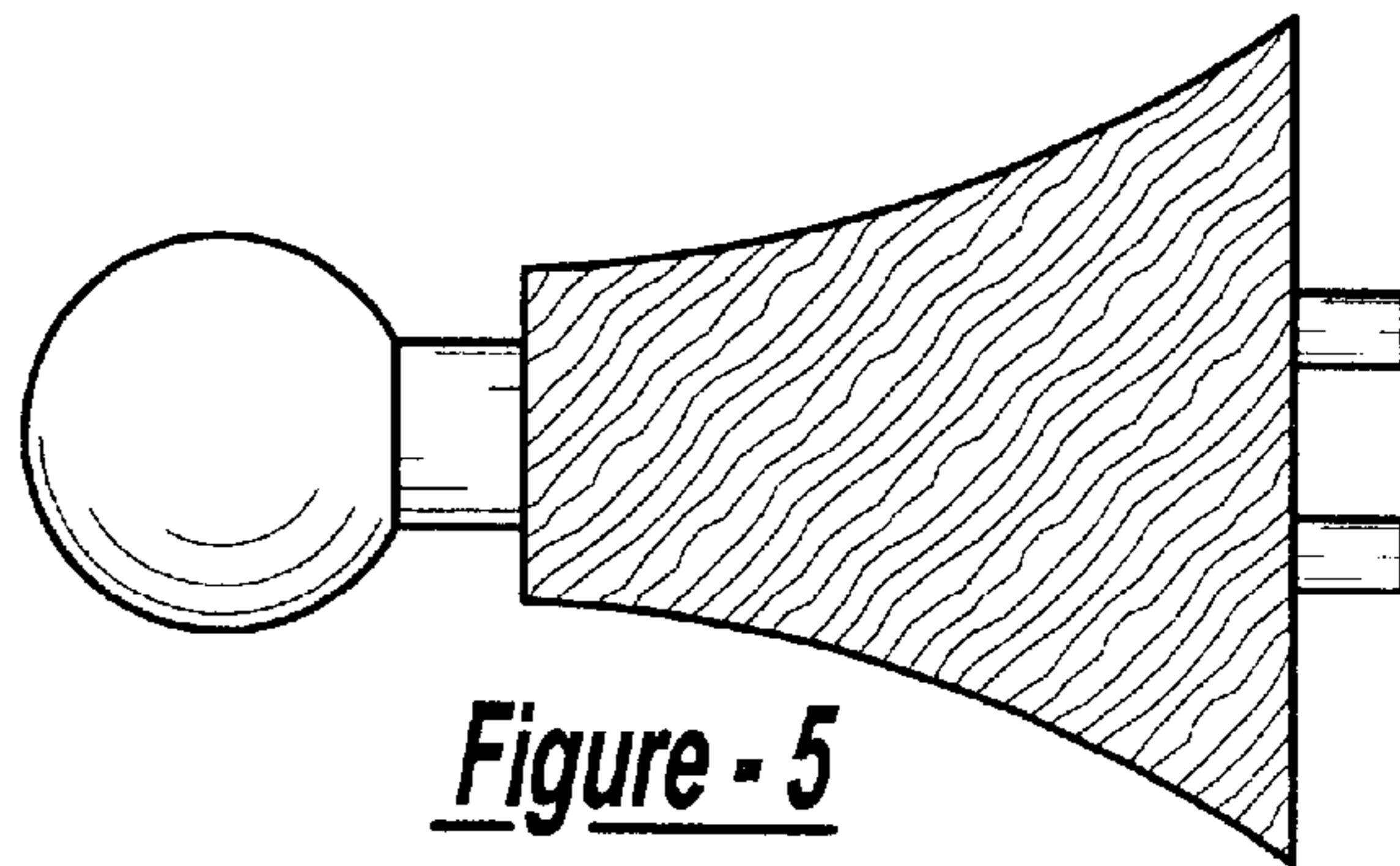


Figure - 5

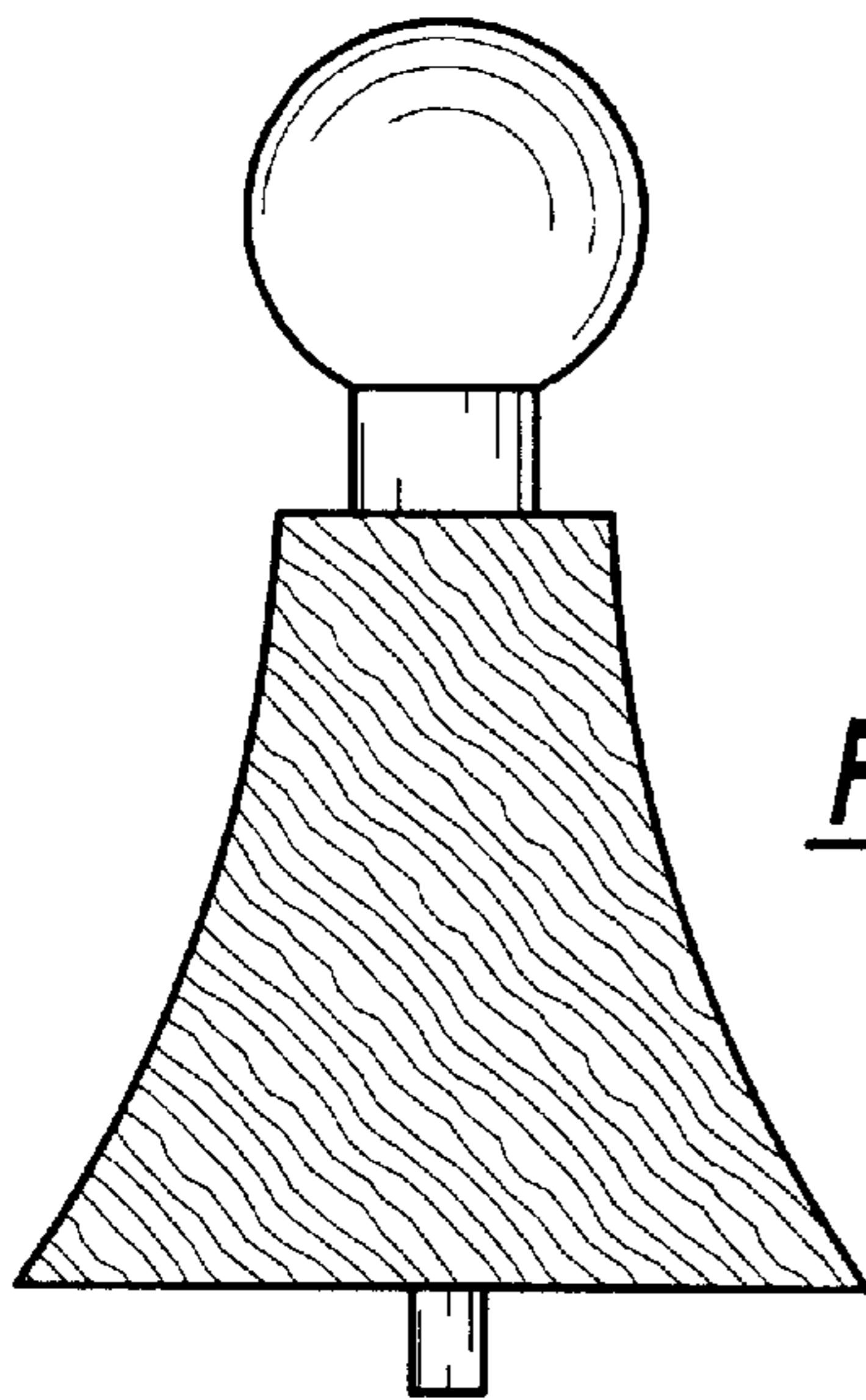


Figure - 6

Figure - 7

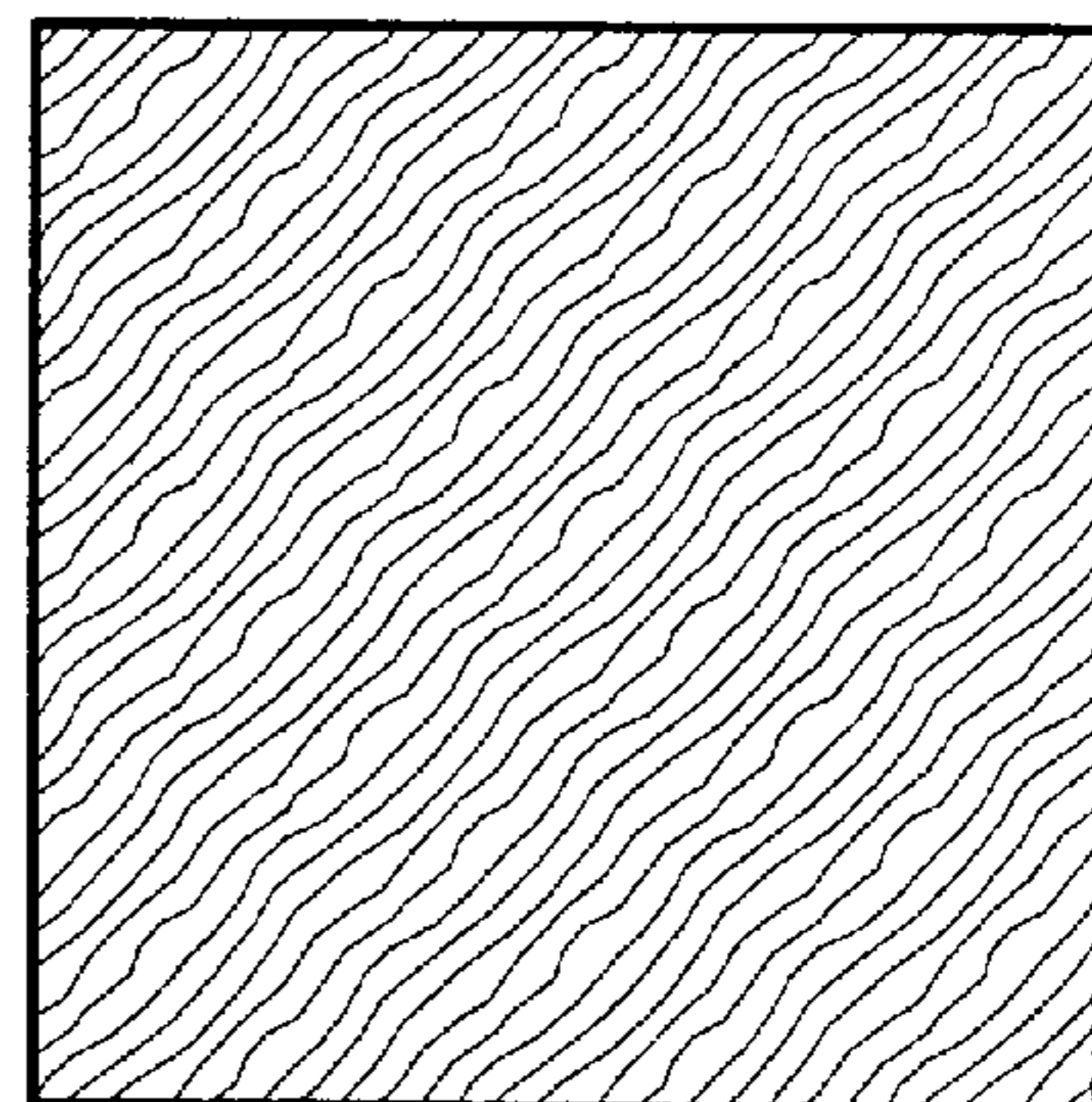


Figure - 8

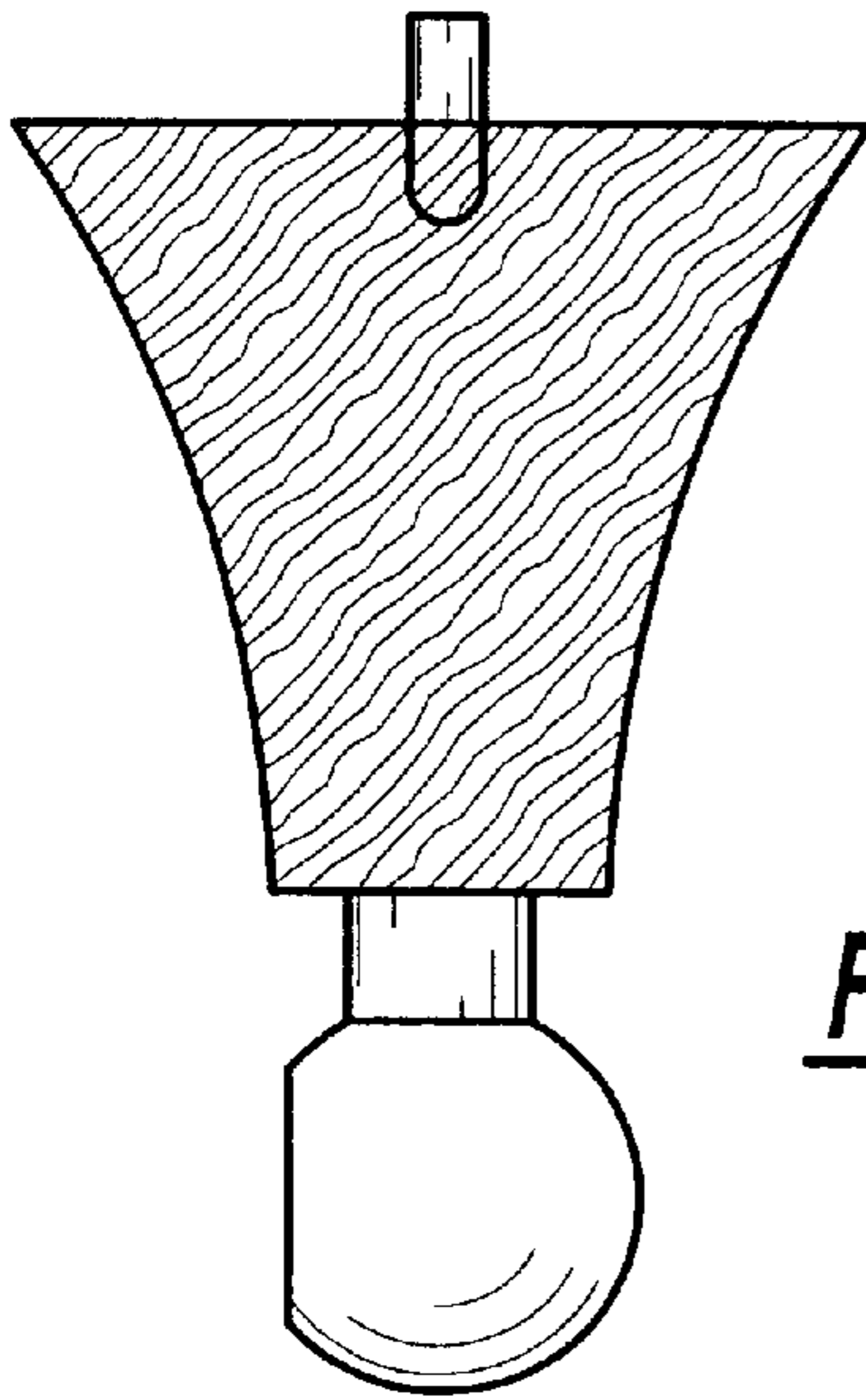
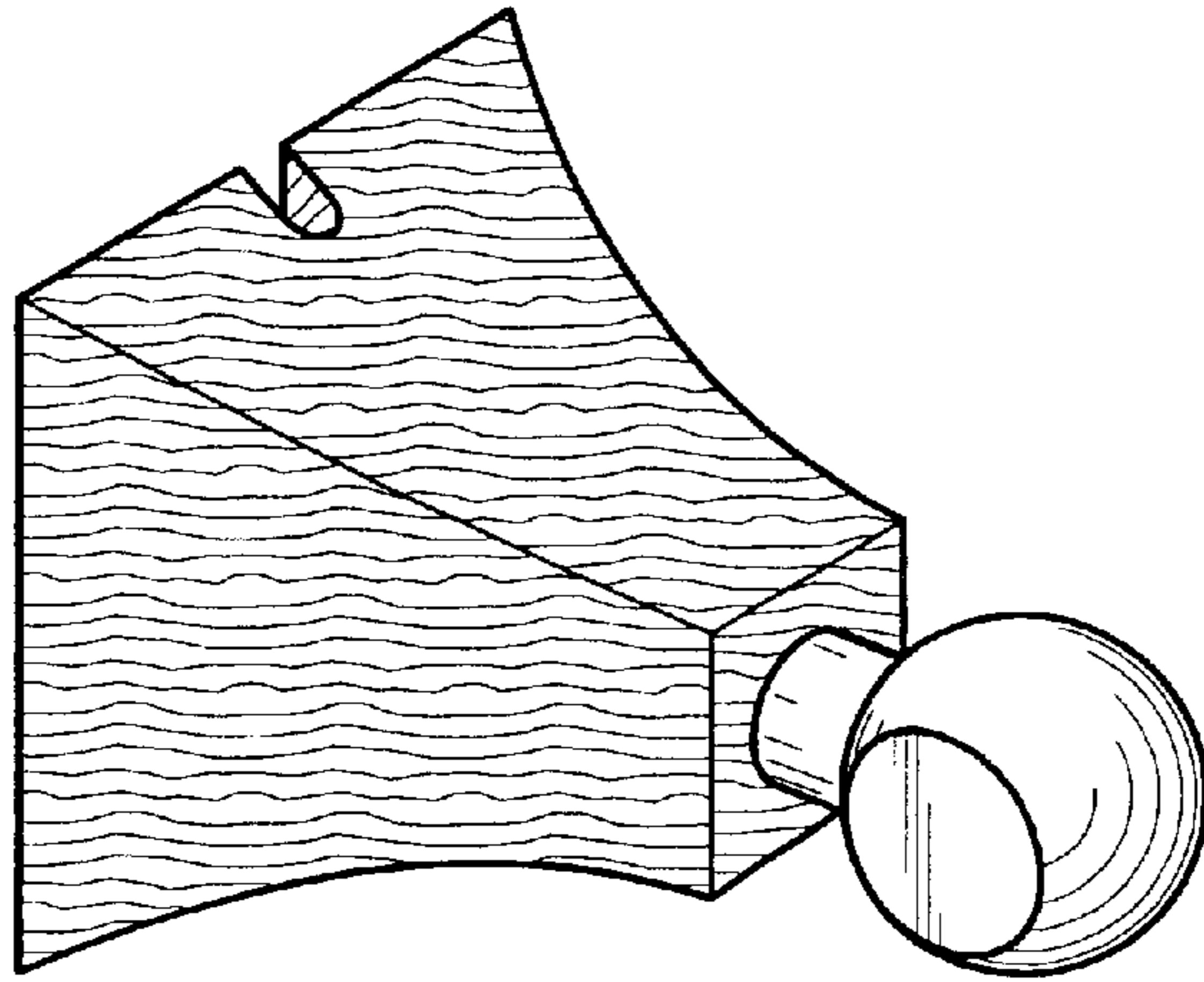


Figure - 9

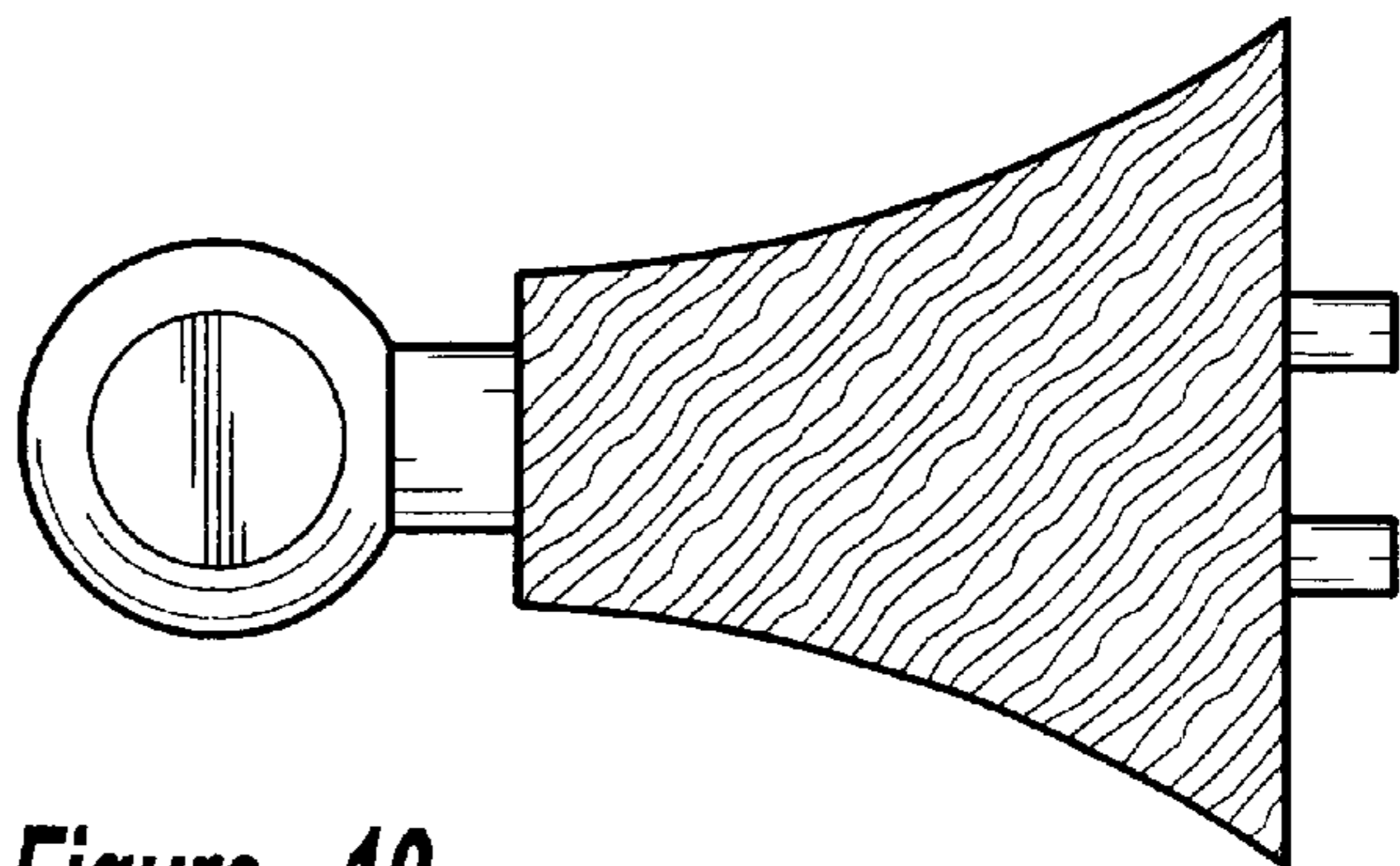


Figure - 10

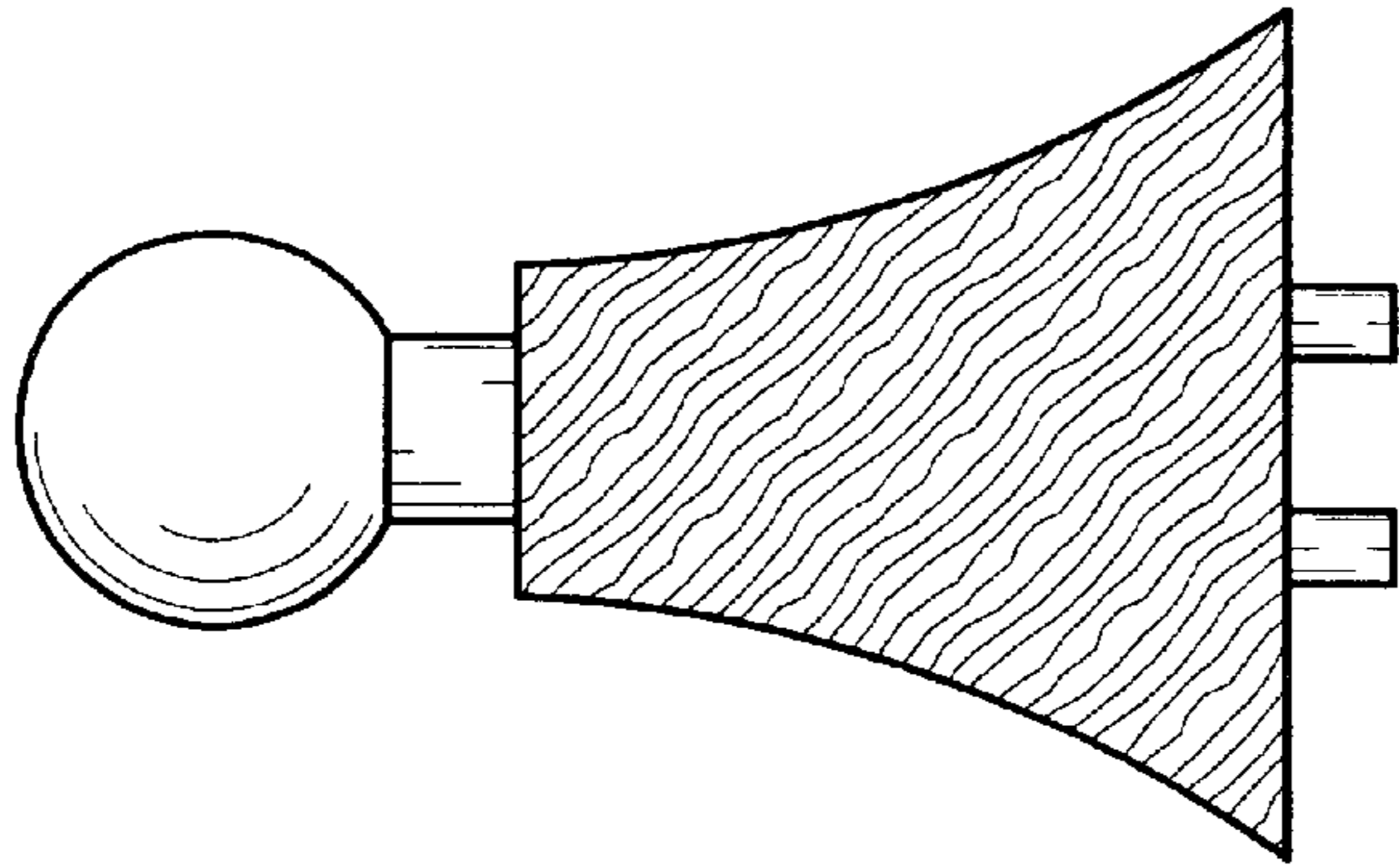


Figure - 11

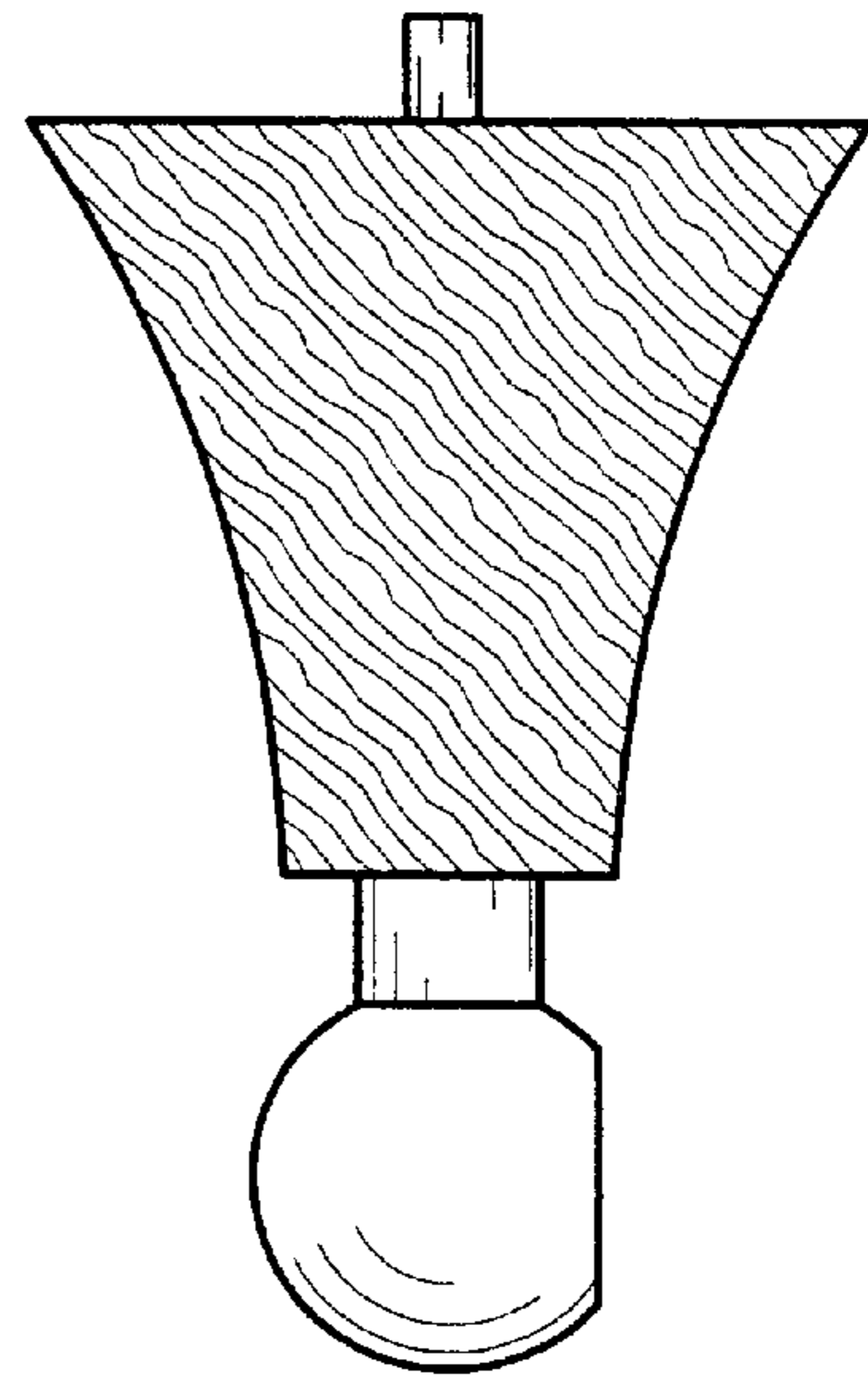


Figure - 12

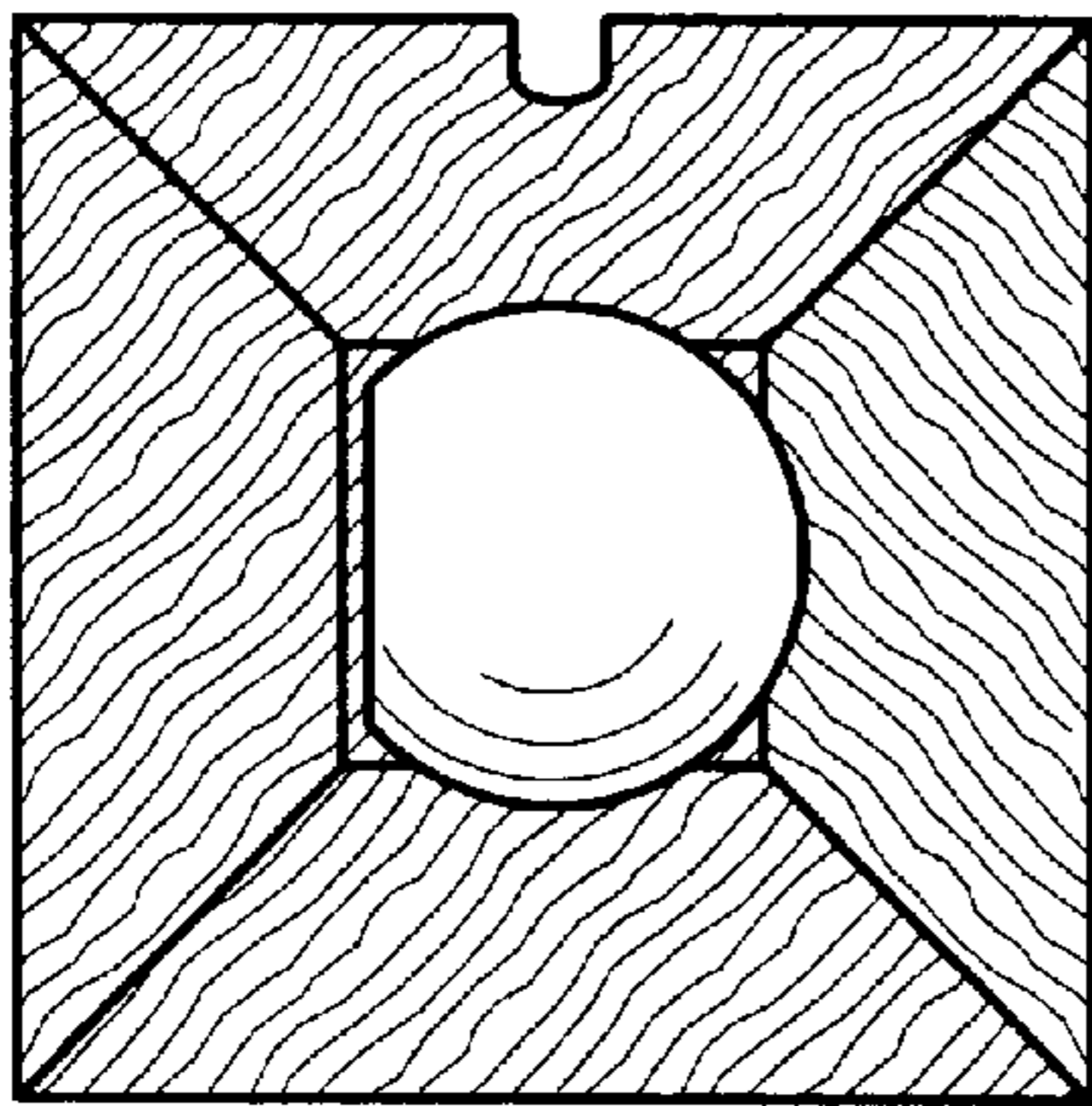


Figure - 13