



US00D477944S

(12) **United States Design Patent**
Cummings

(10) **Patent No.:** **US D477,944 S**

(45) **Date of Patent:** **** Aug. 5, 2003**

(54) **BATHROOM ACCESSORY**

(75) **Inventor:** **Stephen Cummings, Newport (AU)**

(73) **Assignee:** **Dorf Clark Industries Limited,**
Brisbane (AU)

(**) **Term:** **14 Years**

(21) **Appl. No.:** **29/155,973**

(22) **Filed:** **Feb. 20, 2002**

(30) **Foreign Application Priority Data**

Aug. 20, 2001 (AU) 2627/2001

(51) **LOC (7) Cl.** **23-02**

(52) **U.S. Cl.** **D6/524**

(58) **Field of Search** D6/522-51; D8/300,
D8/315-21, 354, 363, 373, 380; 108/28-29;
211/13.1, 16, 60.1, 86.01, 87.01, 88.04,
100, 105.1-105.2, 123, 181.1, 182; 248/175,
176.1, 251, 302; 16/110.1, 412, 415

(56) **References Cited**

U.S. PATENT DOCUMENTS

2,215,331 A * 9/1940 Marsh D6/550 X
D385,735 S * 11/1997 Hundley et al. D6/524
D409,032 S * 5/1999 Kuo D6/550
D431,139 S * 9/2000 Chen D6/524

D438,040 S * 2/2001 Funk D6/524
D454,744 S * 3/2002 Ou-Young D6/550
D462,555 S * 9/2002 Lee Wang D6/550
D463,936 S * 10/2002 Chen D6/550
D463,937 S * 10/2002 Lee Wang D6/550

FOREIGN PATENT DOCUMENTS

WO 93/027238 * 9/1993

* cited by examiner

Primary Examiner—Brian N. Vinson

(74) *Attorney, Agent, or Firm*—Gordon & Jacobson, P.C.

(57) **CLAIM**

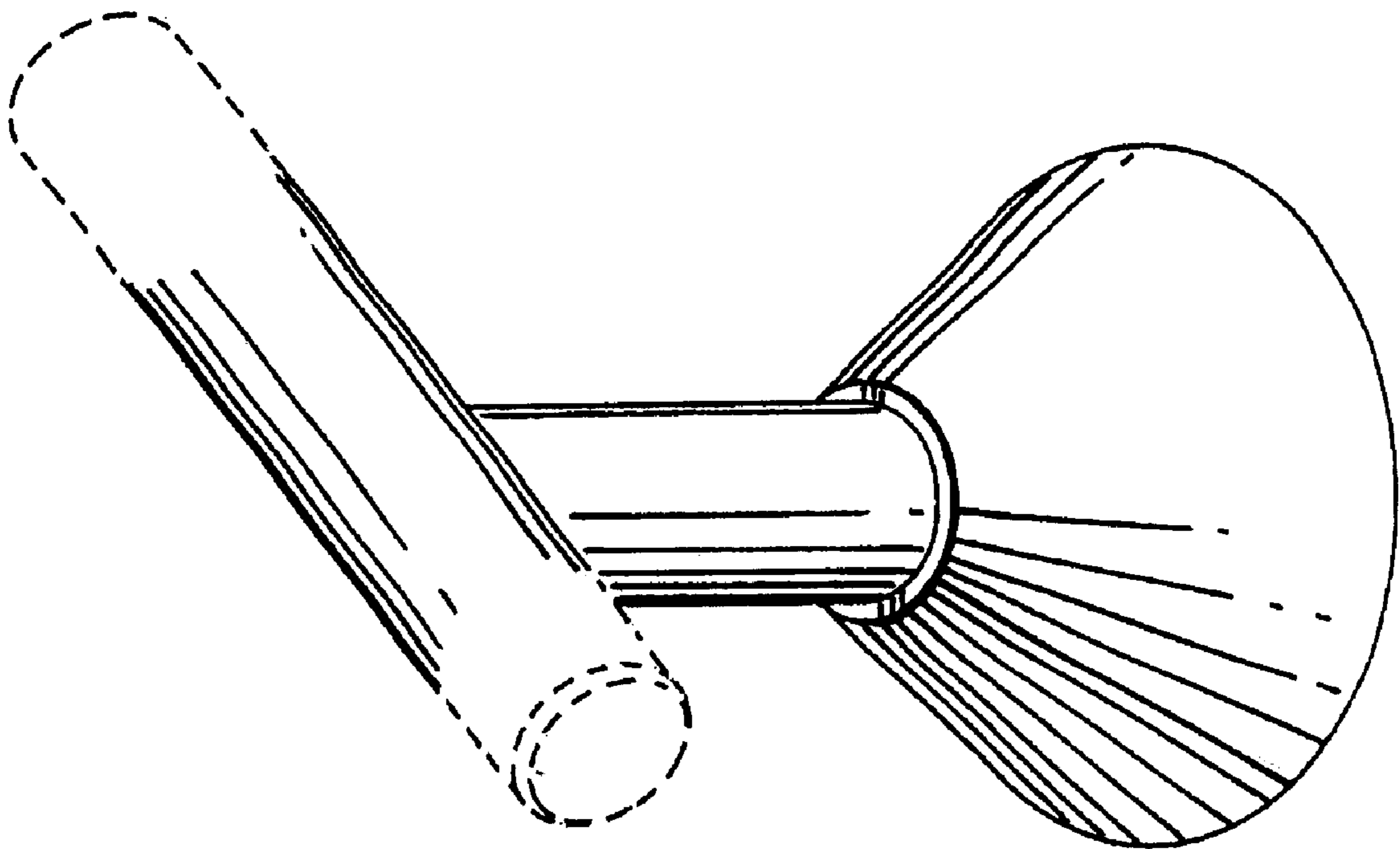
The ornamental design for a bathroom accessory, as shown and described.

DESCRIPTION

FIG. 1 is a top, front, and right side perspective view of a bathroom accessory showing my new design;
FIG. 2 is a top plan view thereof, the bottom being identical in appearance;
FIG. 3 is a front elevational view thereof;
FIG. 4 is a right side elevational view thereof, the left side being a mirror image of that shown; and,
FIG. 5 is a rear elevational view thereof.

The broken-line disclosure in the views is for illustrative purposes only and forms no part of the claimed design.

1 Claim, 1 Drawing Sheet



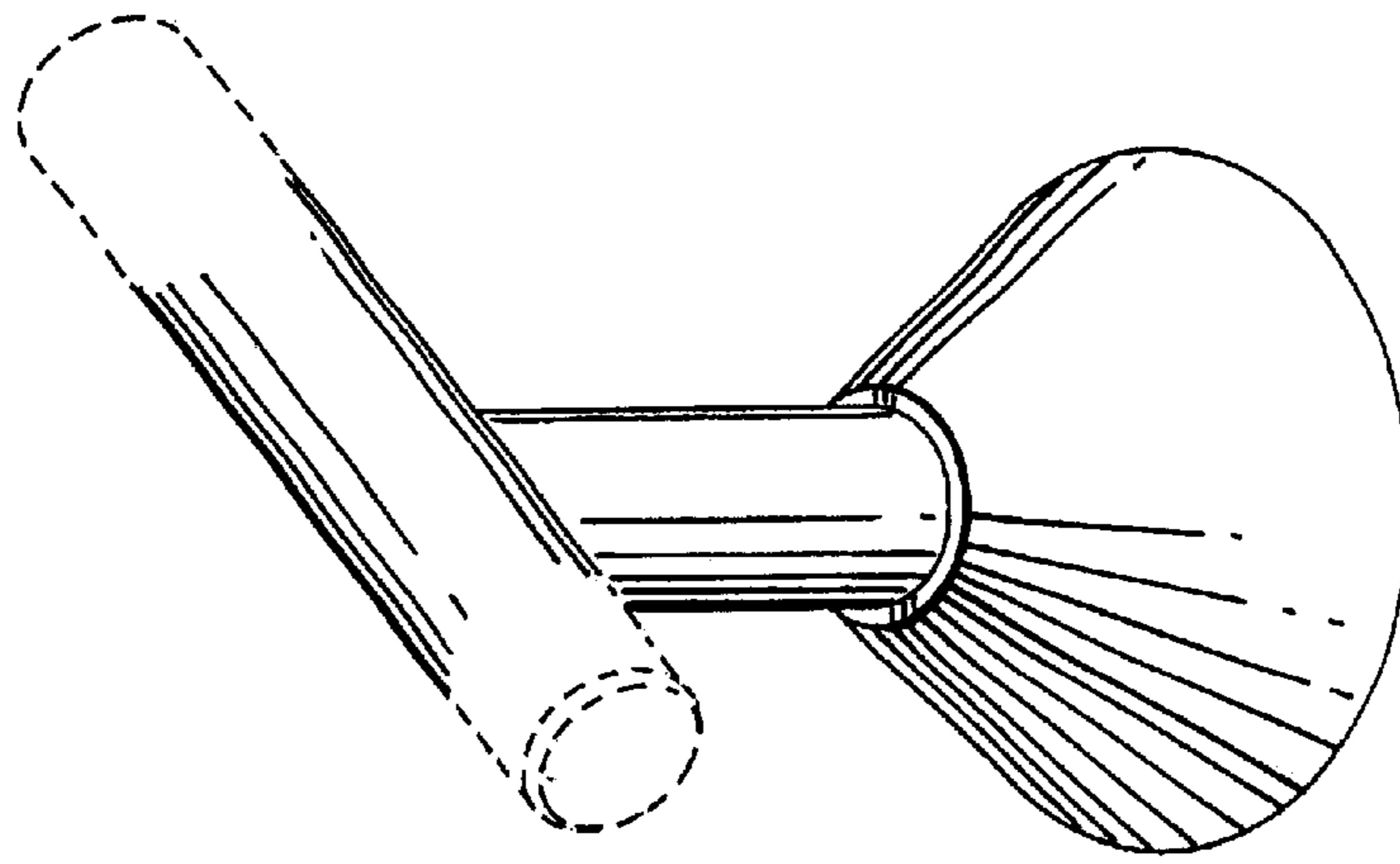


FIG. 1

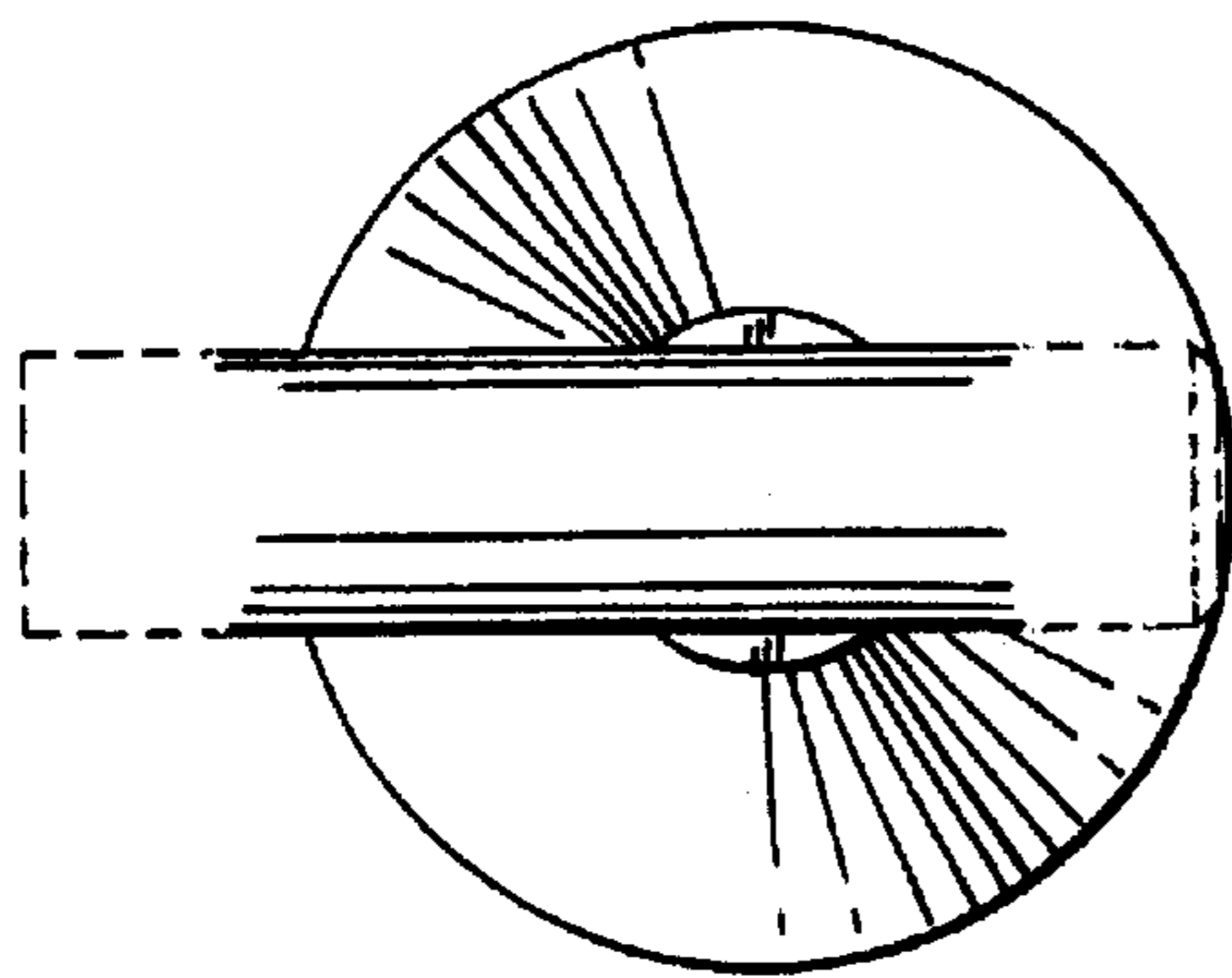


FIG. 3

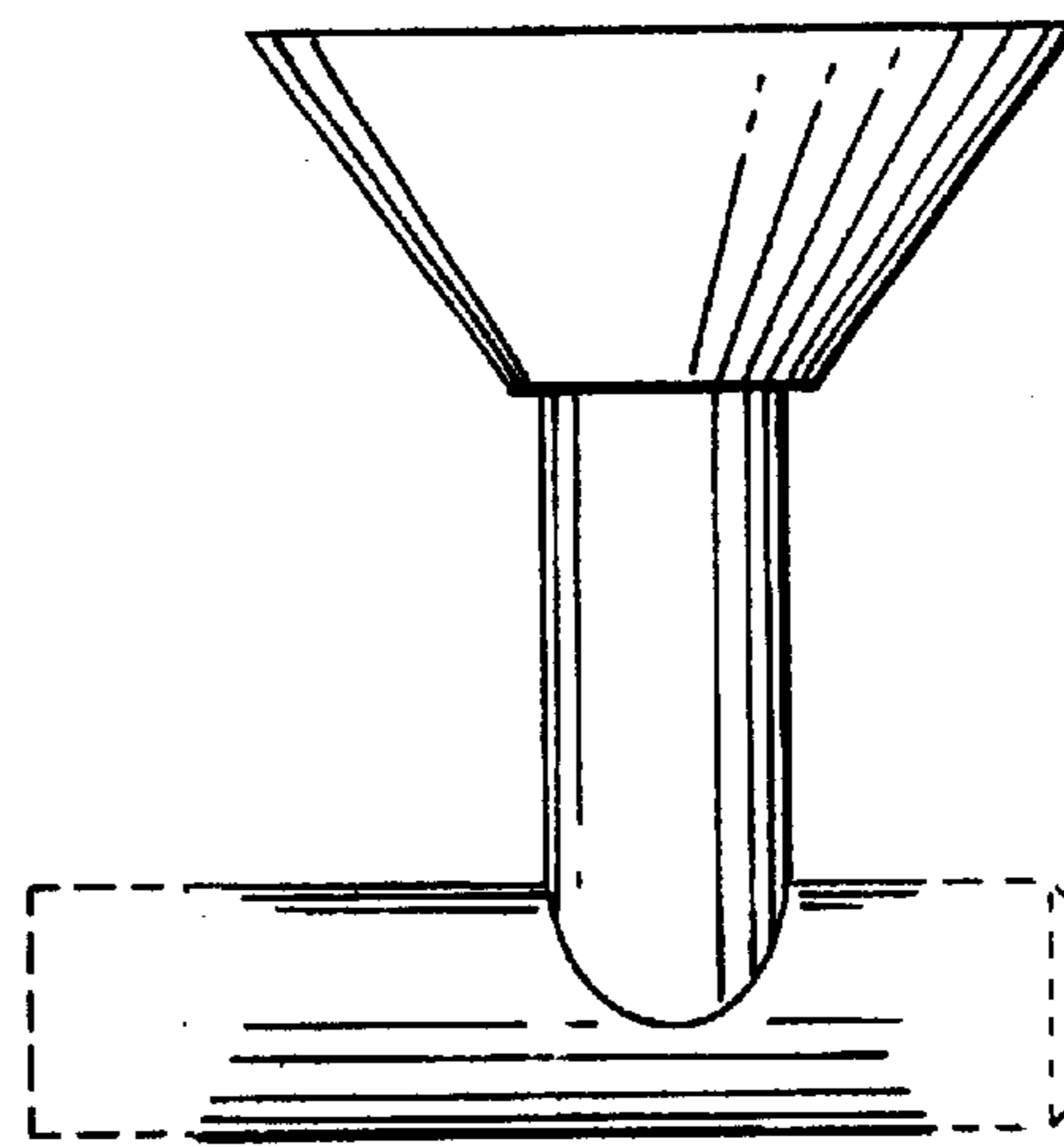


FIG. 2

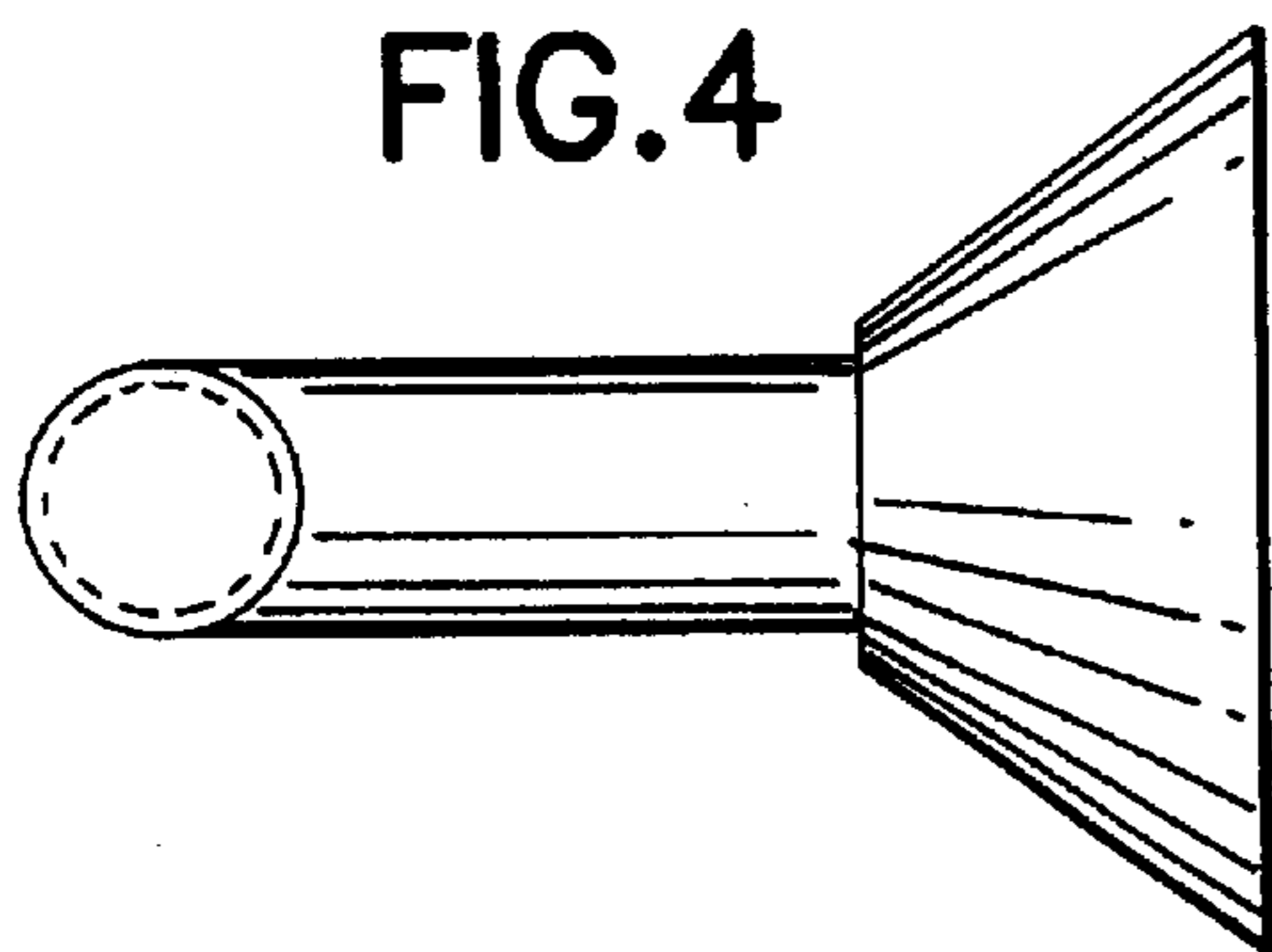


FIG. 4

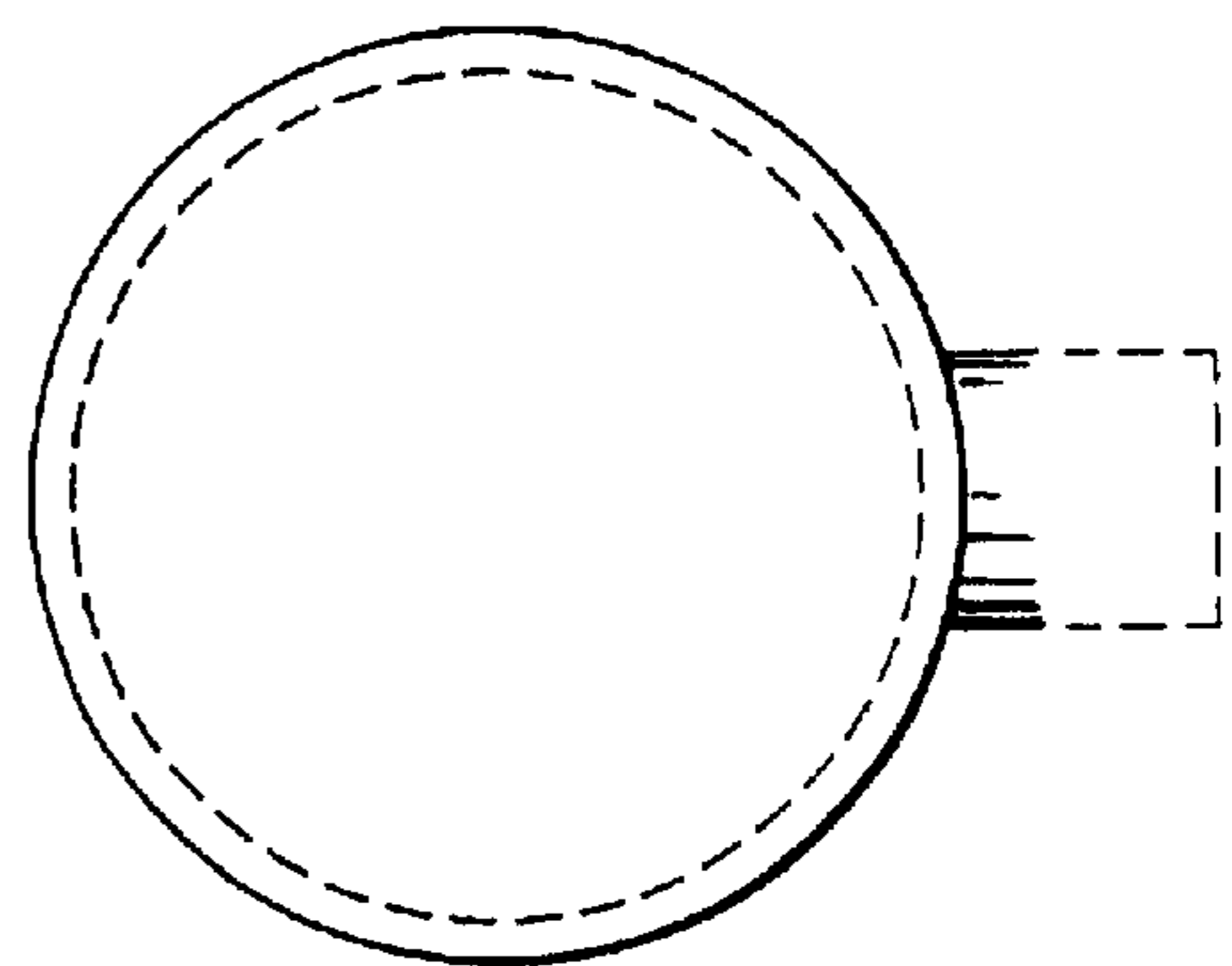


FIG. 5