



US00D477943S

(12) **United States Design Patent**
Cummings

(10) **Patent No.:** **US D477,943 S**

(45) **Date of Patent:** **** Aug. 5, 2003**

- (54) **BATHROOM ACCESSORY**
- (75) Inventor: **Stephen Cummings**, Newport (AU)
- (73) Assignee: **Dorf Clark Industries Limited**,
Brisbane (AU)
- (**) Term: **14 Years**
- (21) Appl. No.: **29/155,972**
- (22) Filed: **Feb. 20, 2002**
- (30) **Foreign Application Priority Data**
Aug. 20, 2001 (AU) 2625/2001
- (51) **LOC (7) Cl.** **23-02**
- (52) **U.S. Cl.** **D6/524**
- (58) **Field of Search** D6/522-51; D8/300,
D8/315-21, 354, 363, 373, 380; 108/28-29;
211/13.1, 16, 60.1, 86.01, 87.01, 88.04,
100, 105.1-105.2, 123, 181.1, 182; 248/175,
176.1, 251, 302; 16/110.1, 412, 415

- (56) **References Cited**
U.S. PATENT DOCUMENTS
2,215,331 A * 9/1940 Marsh D6/550 X
D385,735 S * 11/1997 Hundley et al. D6/524
D409,032 S * 5/1999 Kuo D6/550
D431,139 S * 9/2000 Chen D6/524

- D438,040 S * 2/2001 Funk D6/524
- D454,744 S * 3/2002 Ou-Young D6/550
- D462,555 S * 9/2002 Lee Wang D6/550
- D463,936 S * 10/2002 Chen D6/550
- D463,937 S * 10/2002 Lee Wang D6/550

FOREIGN PATENT DOCUMENTS

WO 027238 * 9/1993

* cited by examiner

Primary Examiner—Brian N. Vinson
(74) *Attorney, Agent, or Firm*—Gordon & Jacobson, P.C.

(57) **CLAIM**

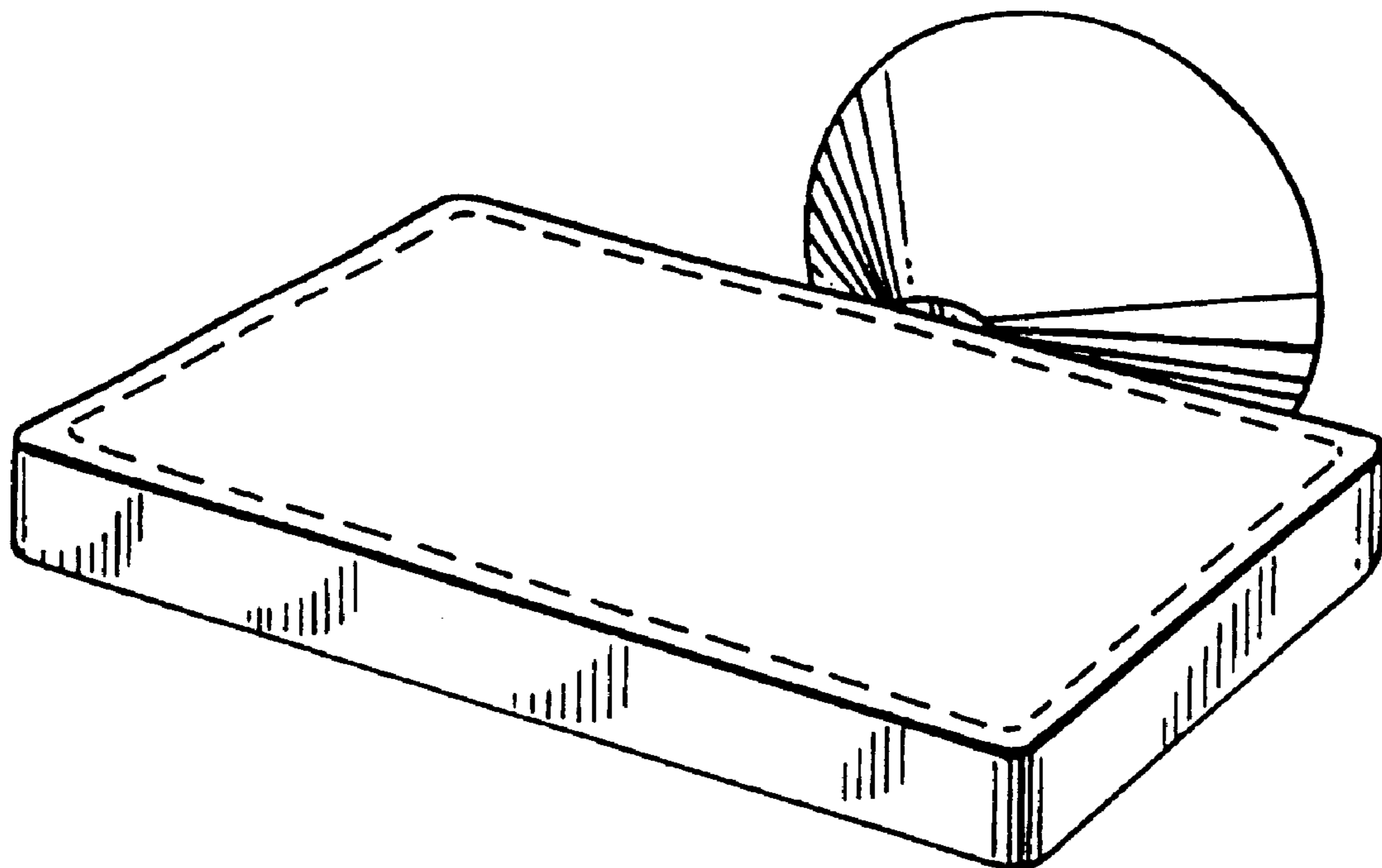
The ornamental design for a bathroom accessory, as shown and described.

DESCRIPTION

FIG. 1 is a top, front, and right side perspective view of a bathroom accessory showing m new design;
 FIG. 2 is a top plan view thereof;
 FIG. 3 is a front elevational view thereof;
 FIG. 4 is a right side elevational view thereof, the left side being a mirror image of that shown;
 FIG. 5 is a rear elevational view thereof; and,
 FIG. 6 is a bottom plan view thereof.

The broken-line disclosure in the views is for illustrative purposes only and forms no part of the claimed design.

1 Claim, 2 Drawing Sheets



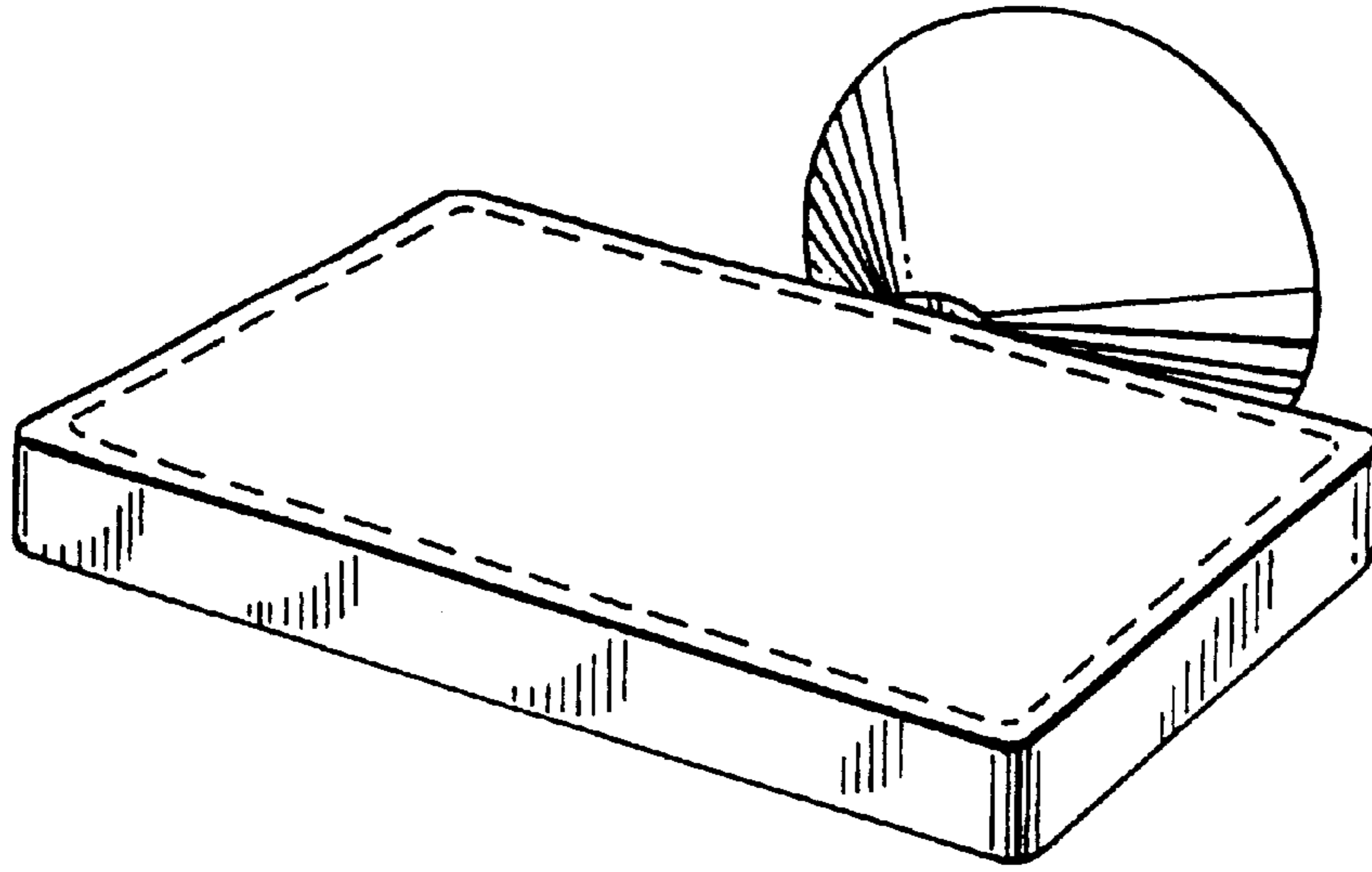


FIG. 1

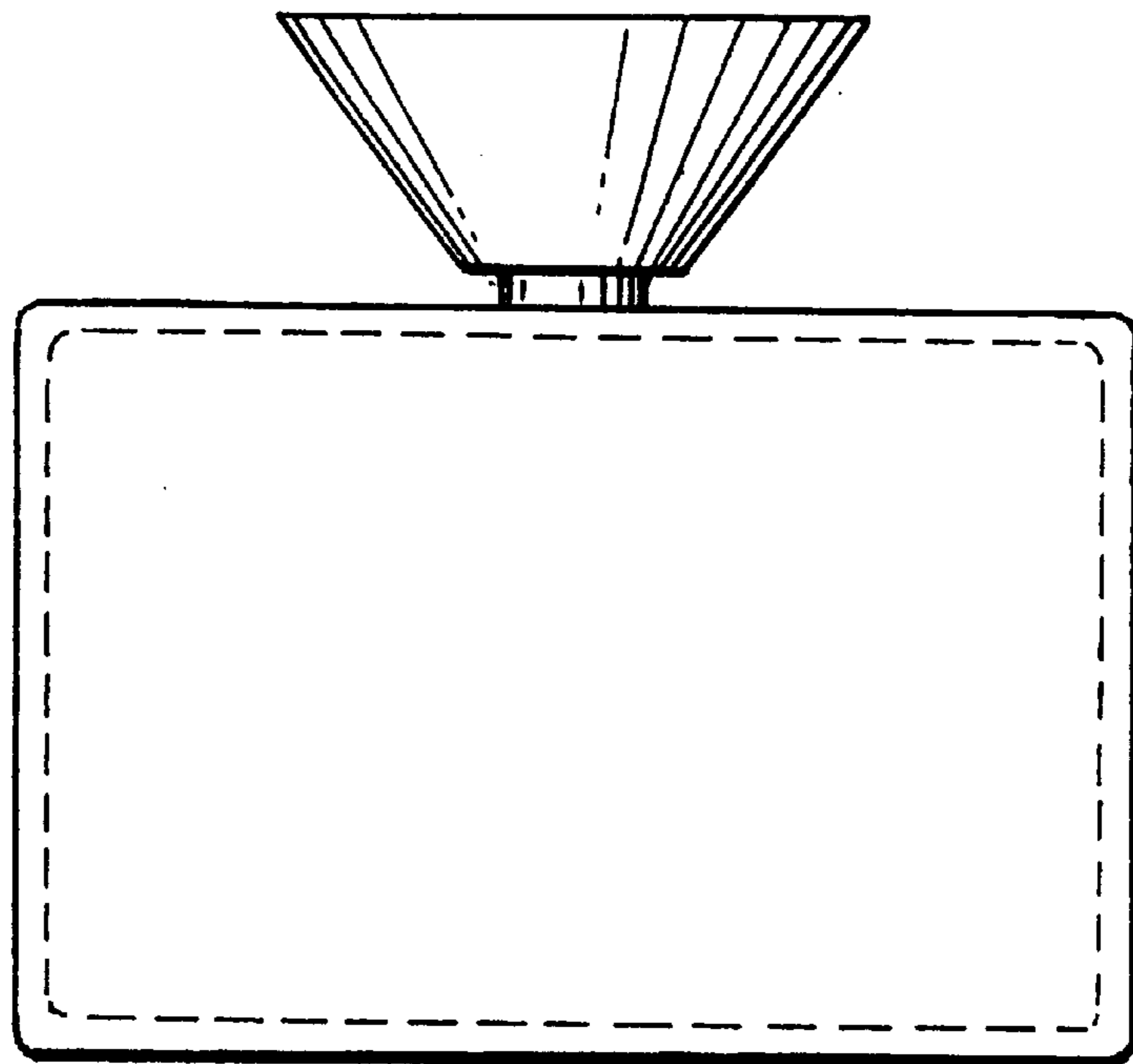


FIG. 2

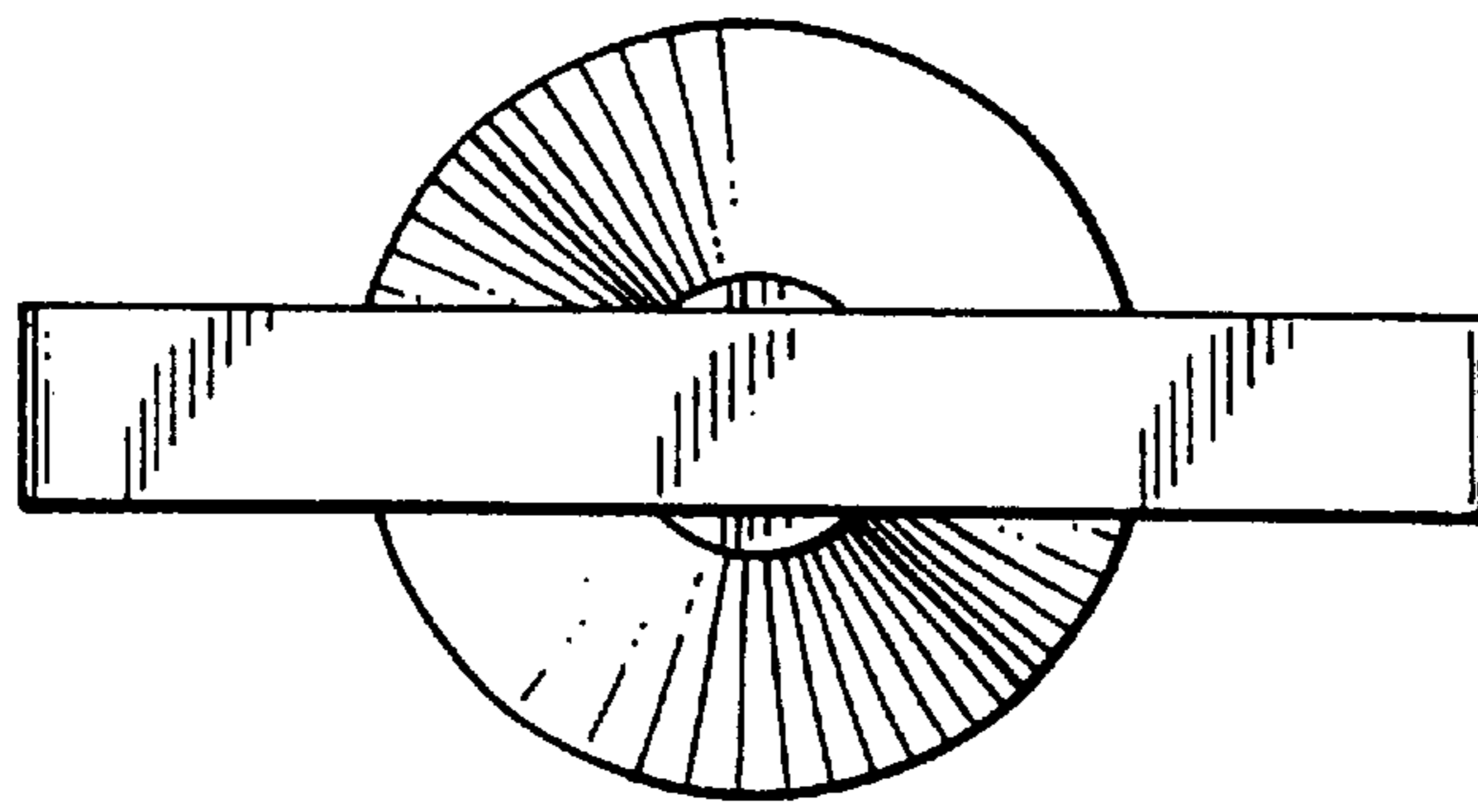


FIG. 3

FIG. 4

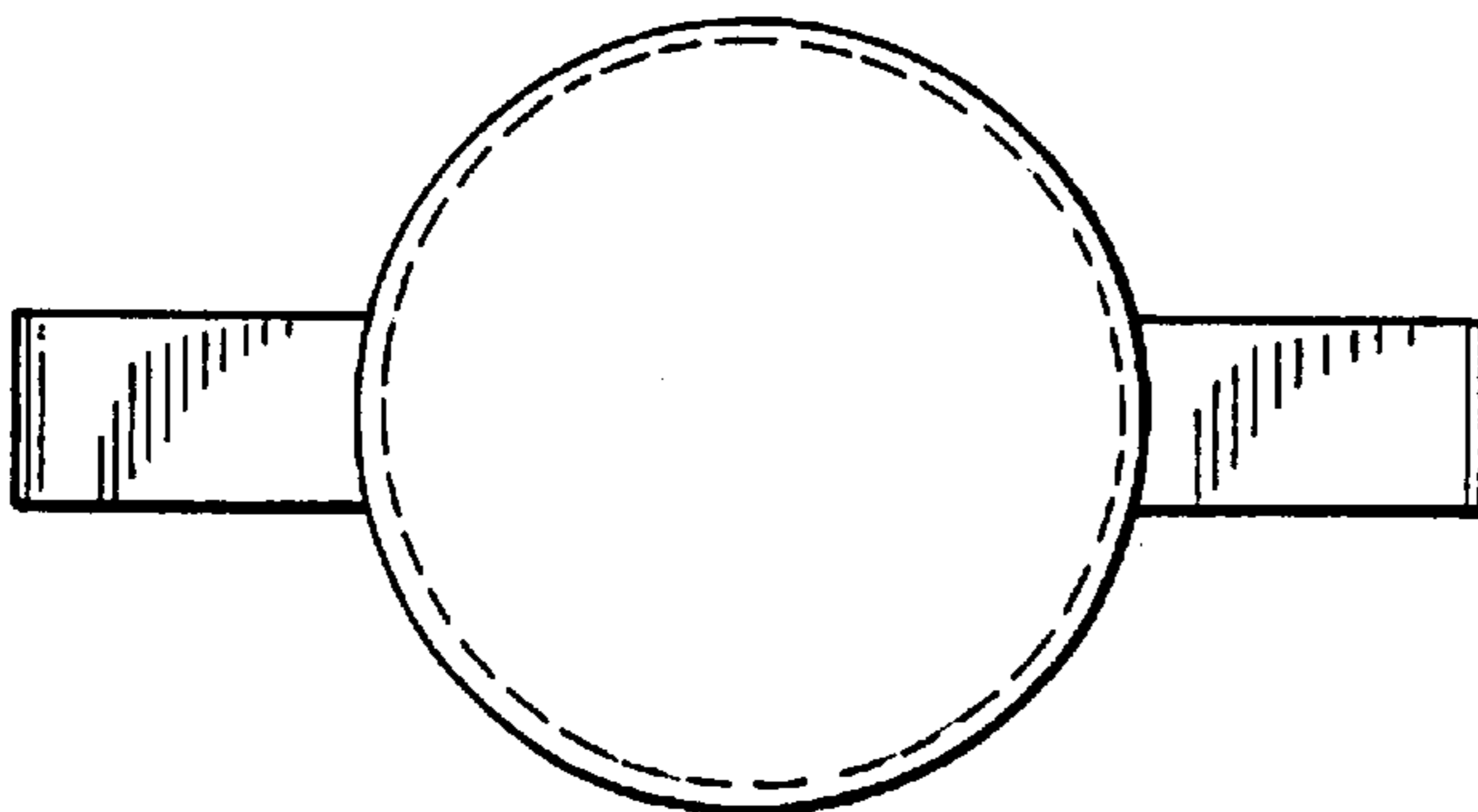
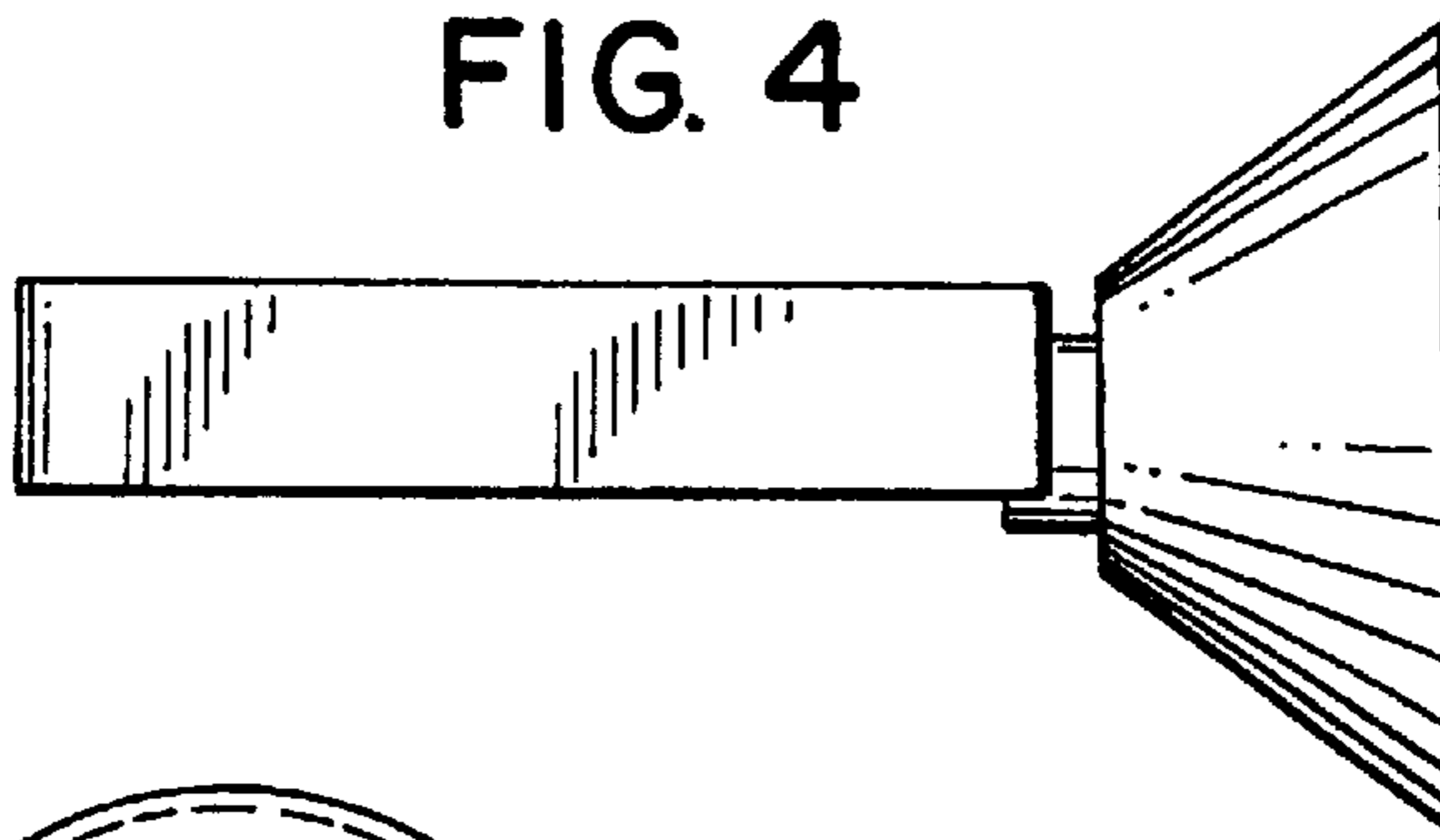


FIG. 5

FIG. 6

