



US00D477941S

(12) **United States Design Patent**
Tucker et al.

(10) **Patent No.:** **US D477,941 S**

(45) **Date of Patent:** **** Aug. 5, 2003**

(54) **CUTLERY DISPENSING BASE**

(76) Inventors: **Terence Tucker**, 611 Calle Embocadura, San Clemente, CA (US) 92673; **Robert Tucker**, 16880 Avenida de Santa Ynez, Pacific Palisades, CA (US) 90272

(**) **Term:** **14 Years**

(21) **Appl. No.:** **29/159,492**

(22) **Filed:** **Apr. 23, 2002**

(51) **LOC (7) Cl.** **20-02**

(52) **U.S. Cl.** **D6/515**

(58) **Field of Search** D6/515, 517, 518; 221/45, 92, 123, 208, 282; 222/173, 105, 180, 181.1

3,163,327 A	12/1964	Maxwell
3,300,087 A	1/1967	Kuypers
3,313,452 A	4/1967	Katz
3,334,784 A	8/1967	Morrison
3,558,006 A	1/1971	Redmond
3,680,736 A	8/1972	Viessmann
4,489,854 A	12/1984	Wenkman et al.
4,662,536 A	5/1987	Powers
4,896,792 A	1/1990	Marchand
D306,808 S	* 3/1990	Thomas D6/515
5,191,997 A	3/1993	Squitieri
5,586,685 A	12/1996	Dorner et al.
6,336,568 B1	1/2002	Tucker et al.
D461,663 S	* 8/2002	Tucker et al. D6/515

* cited by examiner

Primary Examiner—Brian N. Vinson

(74) *Attorney, Agent, or Firm*—Stetina Brunda Garred & Brucker

(56) **References Cited**

U.S. PATENT DOCUMENTS

1,259,927 A	3/1918	Swift
1,546,077 A	7/1925	Hunter et al.
1,547,151 A	7/1925	Watling
1,675,510 A	7/1928	Nolan
1,886,378 A	11/1932	Dearsley
2,053,828 A	9/1936	Harper
2,078,984 A	5/1937	Williamson
2,239,196 A	4/1941	Lunvik
2,421,782 A	7/1947	Gibbs et al.
2,571,668 A	10/1951	Booth et al.
2,868,344 A	1/1959	Shields
2,878,962 A	3/1959	Chaney et al.
2,954,948 A	10/1960	Johnson
2,965,262 A	12/1960	Du Bois
3,095,114 A	6/1963	Tobias

(57) **CLAIM**

The ornamental design for a cutlery dispensing base, as shown and described.

DESCRIPTION

FIG. 1 is a front perspective view of the cutlery dispensing base of the present invention, with phantom lines depicting solely environmental structure and forming no part of the claimed design;

FIG. 2 is a top plan view thereof;

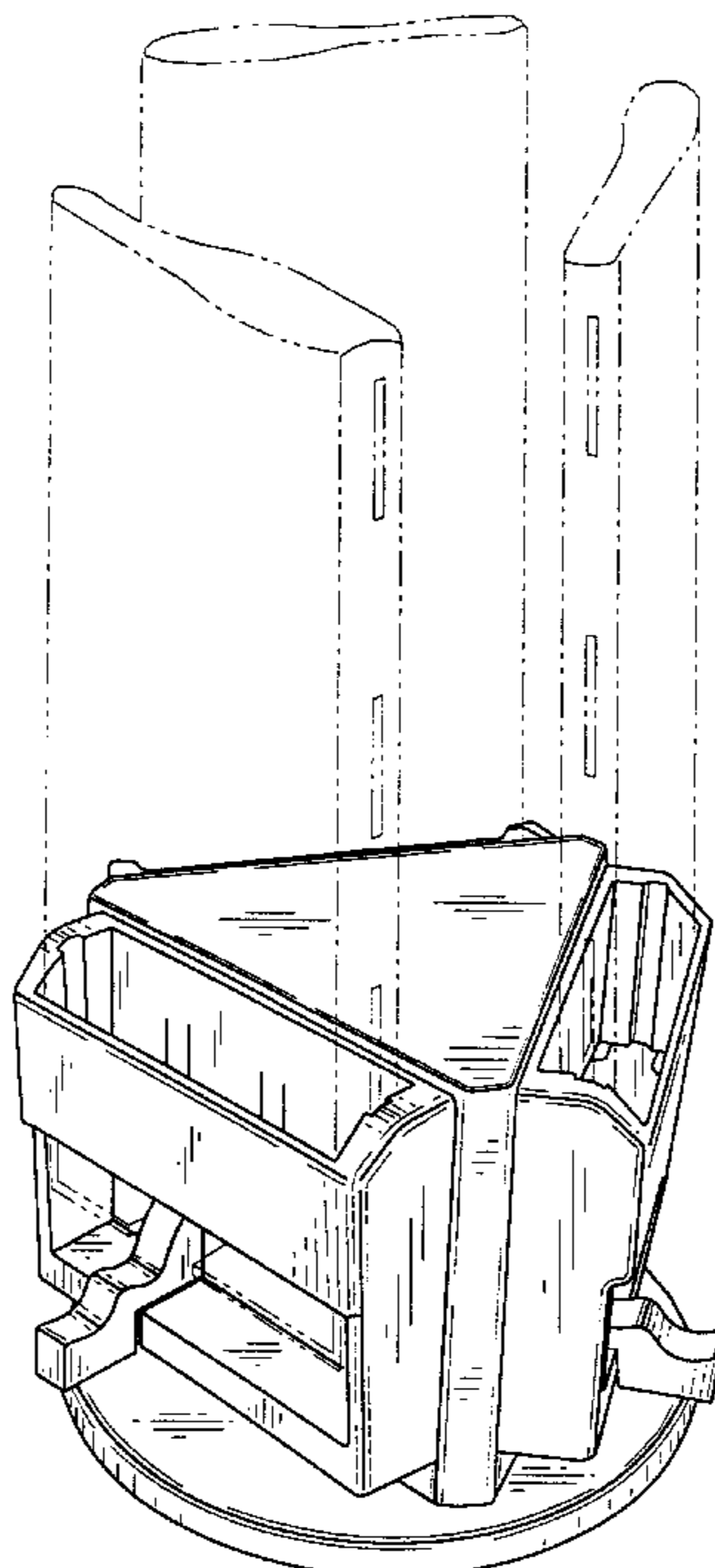
FIG. 3 is a front elevational view thereof;

FIG. 4 is a side elevational view thereof rotated for clarity;

FIG. 5 is a side elevational view thereof rotated for clarity; and,

FIG. 6 is a bottom plan view thereof.

1 Claim, 3 Drawing Sheets



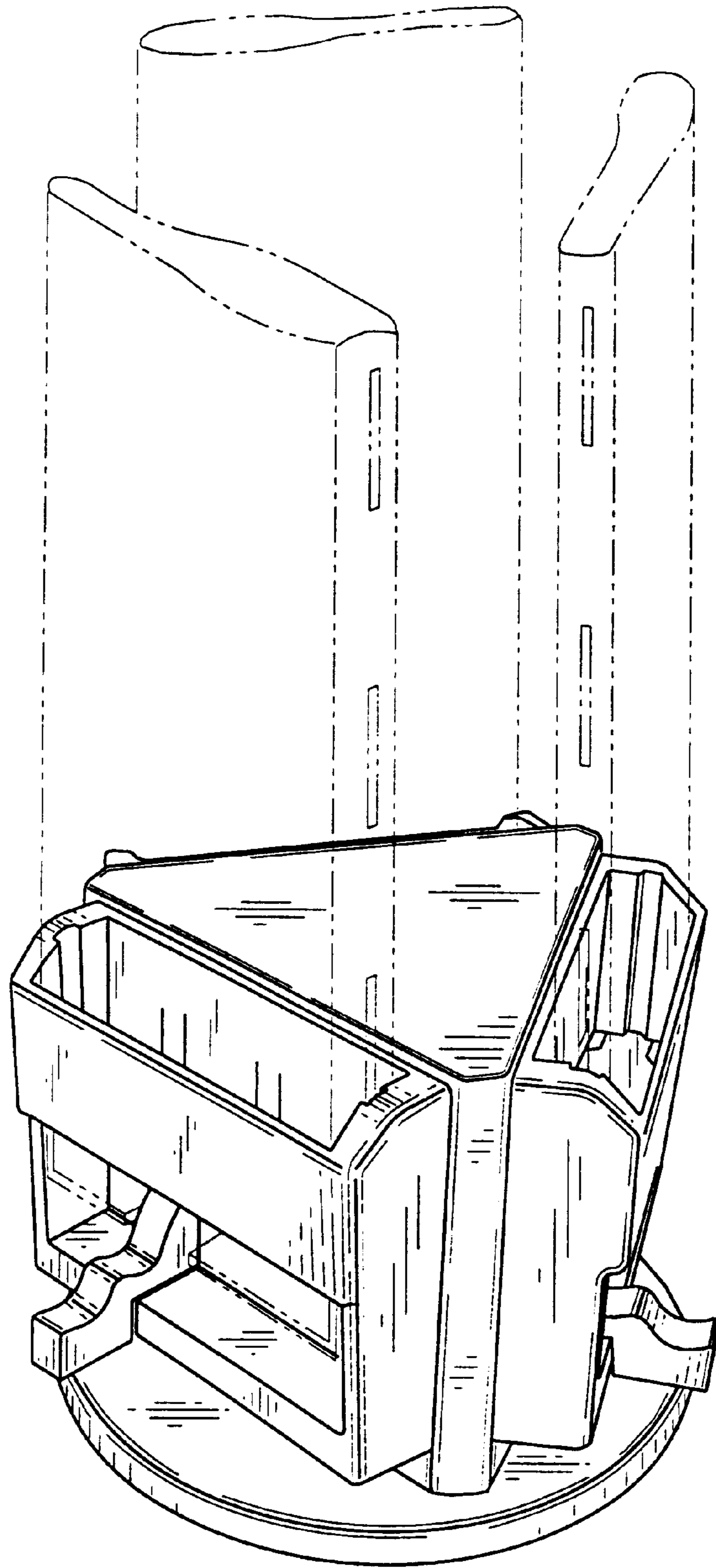


Fig. 1

Fig. 2

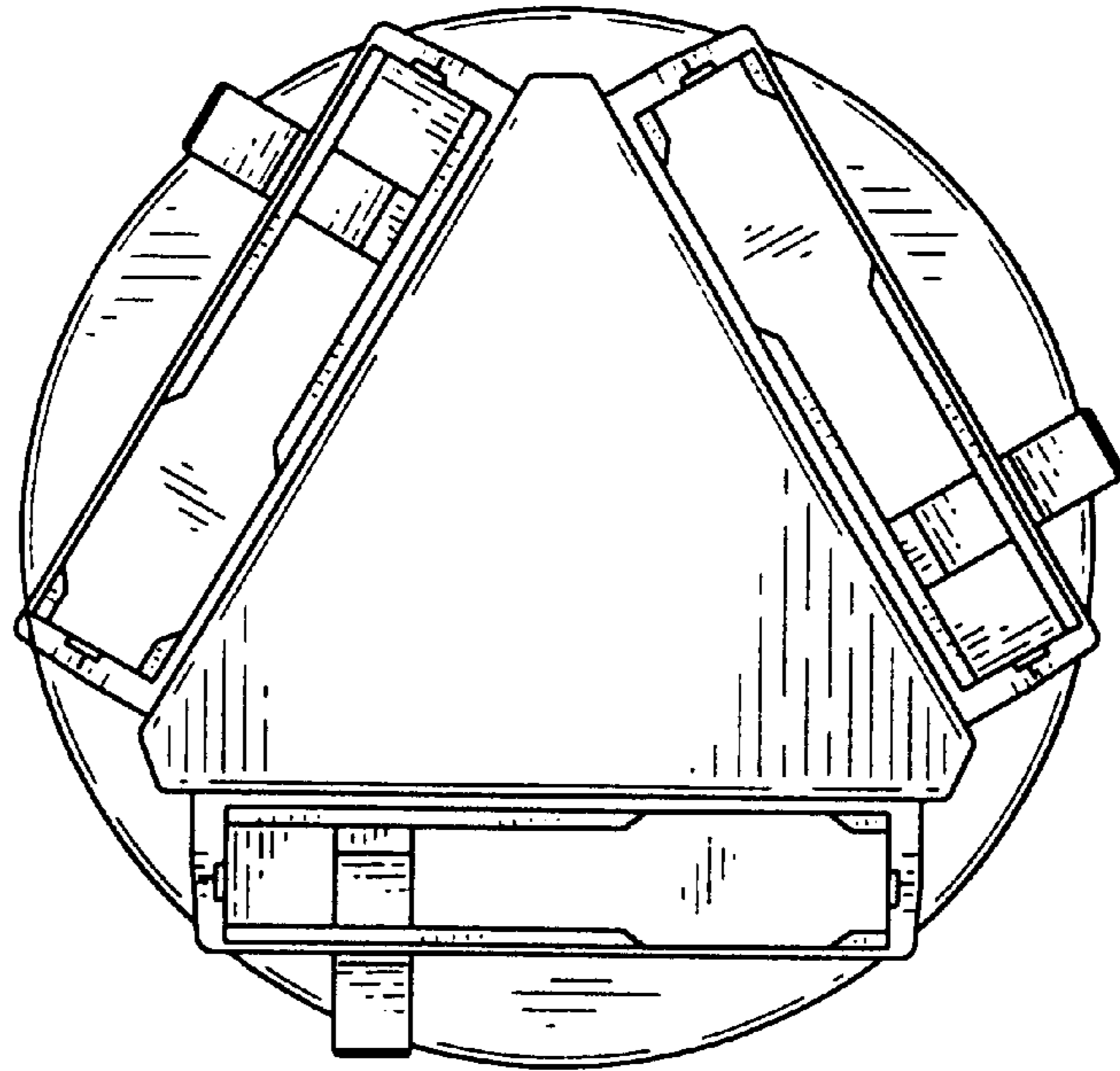


Fig. 3

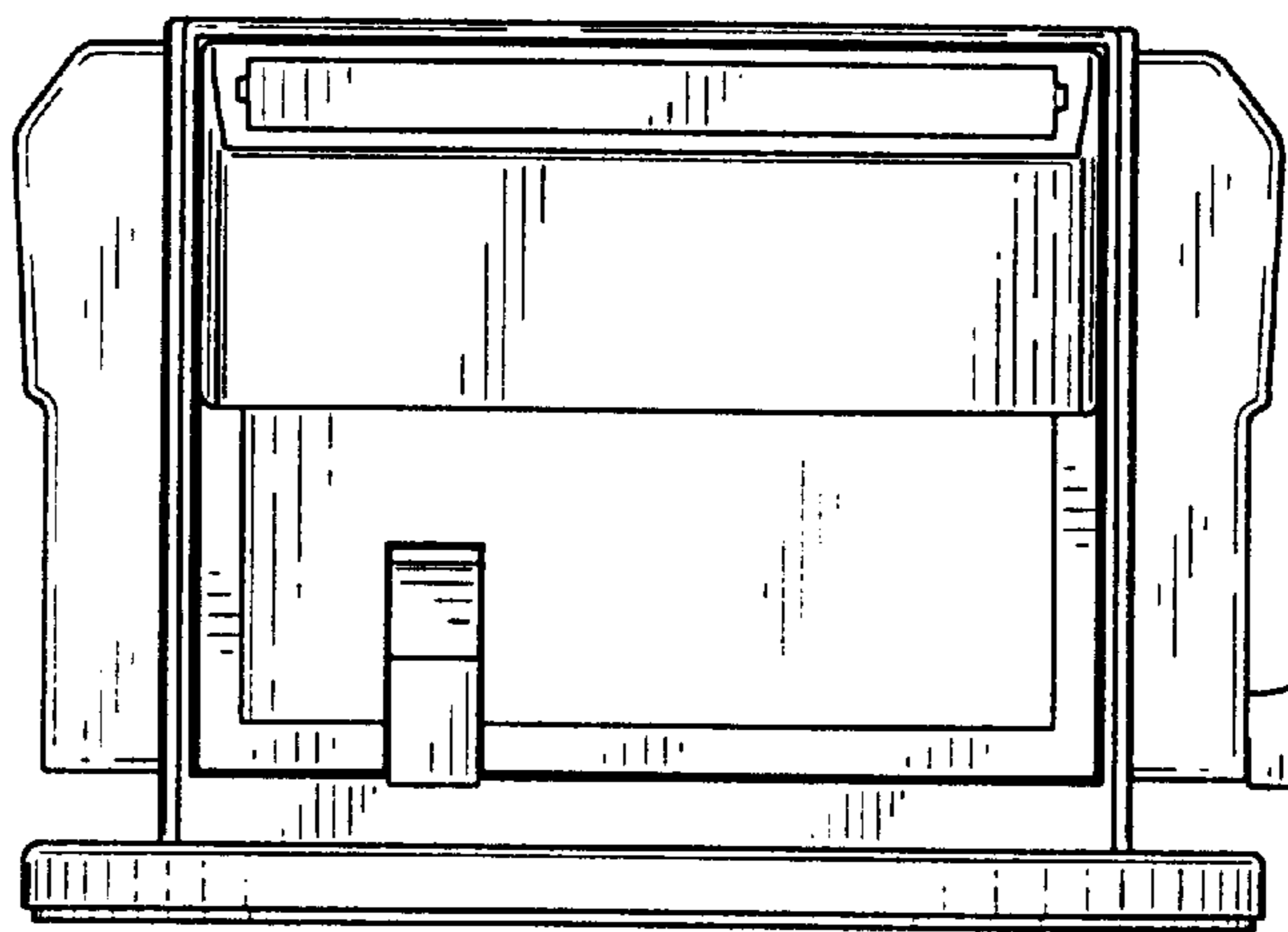


Fig. 4

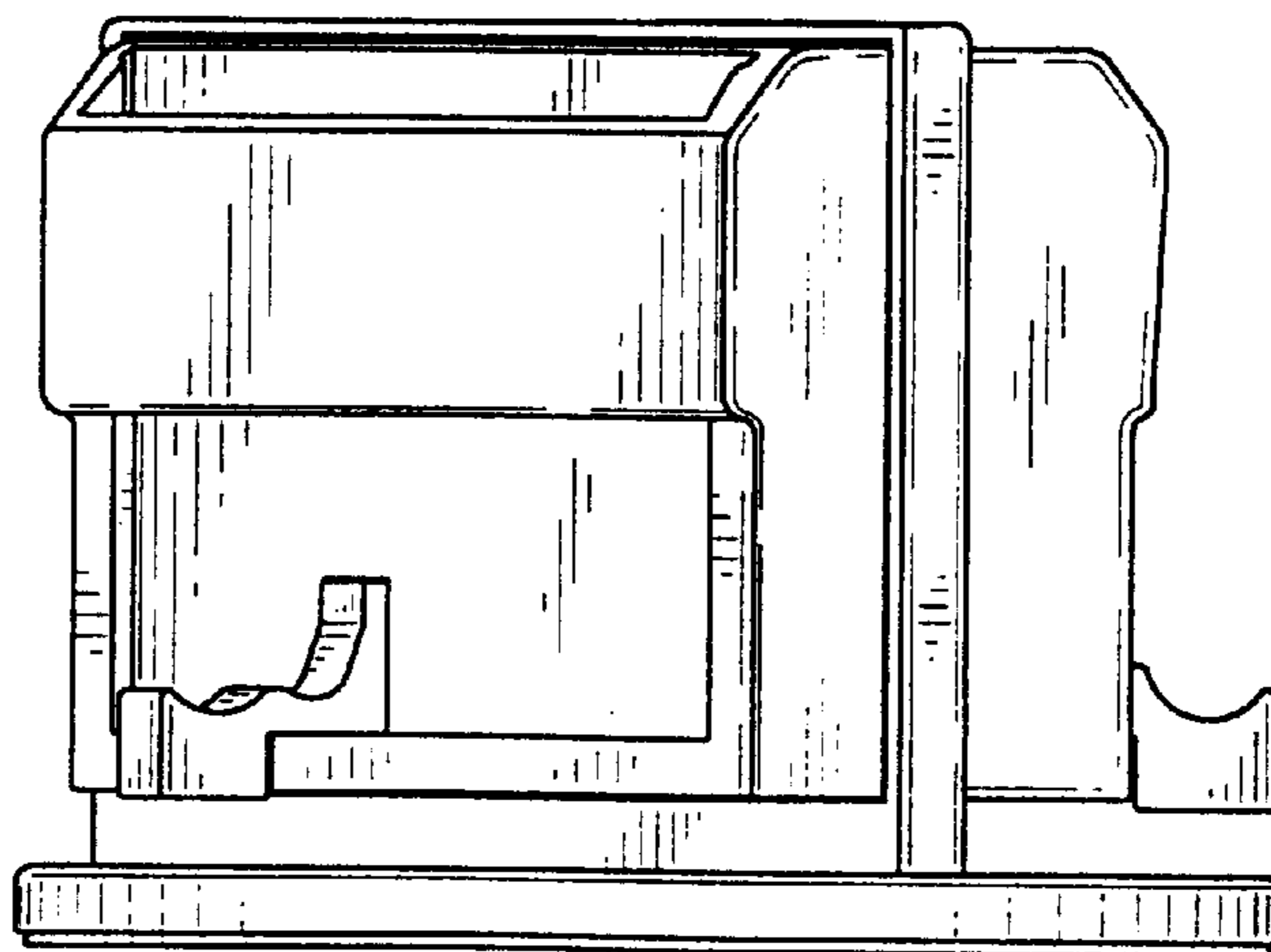


Fig. 5

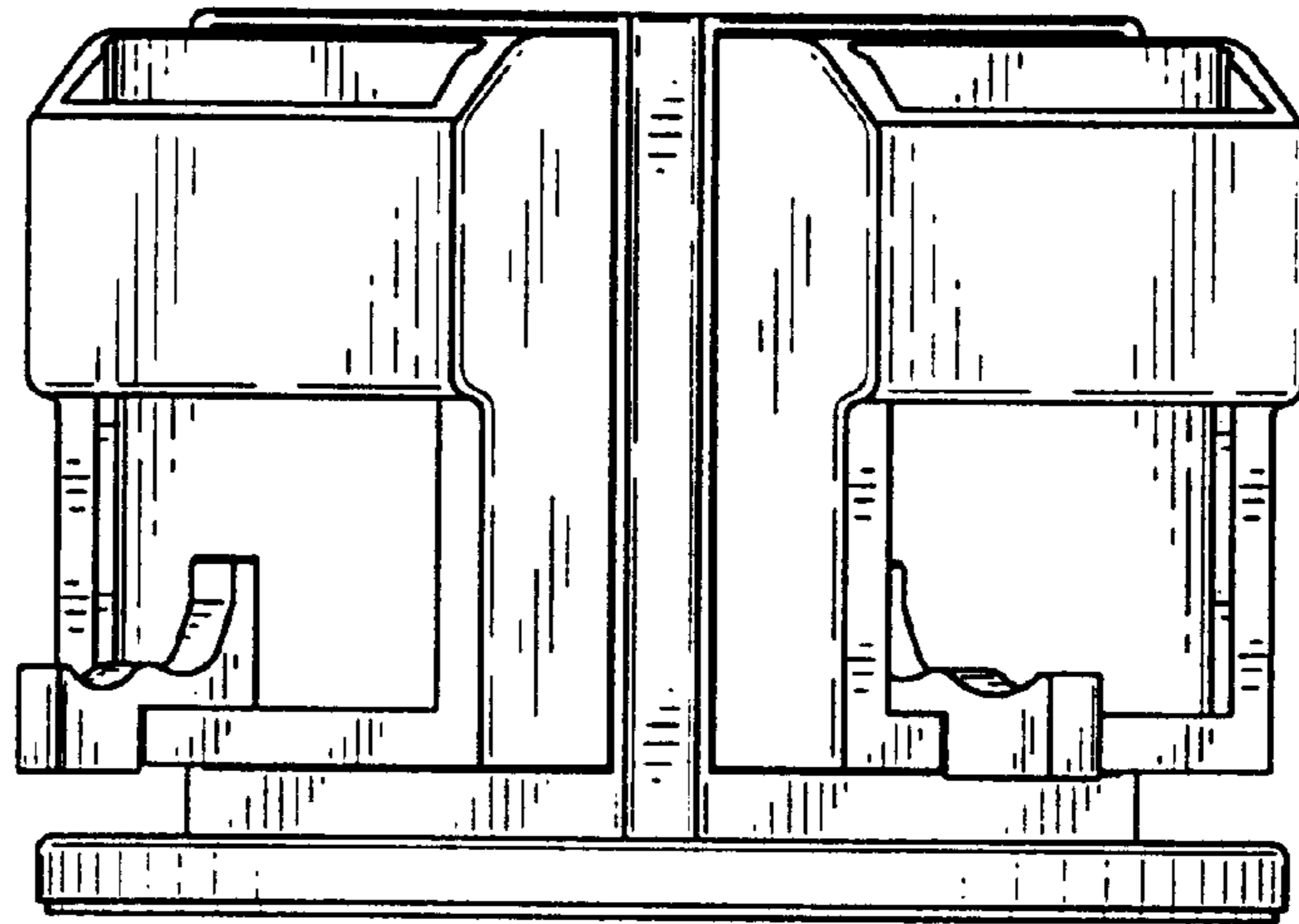


Fig. 6

