



US00D477938S

(12) **United States Design Patent**
Brandon

(10) **Patent No.:** **US D477,938 S**

(45) **Date of Patent:** **** Aug. 5, 2003**

(54) **MULLION GLASS CABINET PANEL**

D461,655 S * 8/2002 Stanton D6/470

(75) Inventor: **John Brandon**, Attica, NY (US)

OTHER PUBLICATIONS

(73) Assignee: **Rutt Handcrafted Cabinetry, LLC**,
Goodville, PA (US)

Thomasville Collector's Cherry, China Cabinet 10121-430,
1983.*

(**) Term: **14 Years**

* cited by examiner

(21) Appl. No.: **29/160,794**

Primary Examiner—Cathron C. Brooks

(22) Filed: **May 15, 2002**

(74) *Attorney, Agent, or Firm*—Coats & Bennett, P.L.L.C.

(51) **LOC (7) Cl.** **06-06**

(52) **U.S. Cl.** **D6/494; D25/103**

(58) **Field of Search** D6/492, 494, 437,
D6/438, 439, 470; D25/103, 106, 109,
110, 138, 148, 160; 52/204.59; 428/38,
46

(57) **CLAIM**

The ornamental design for a mullion glass cabinet panel, as
shown and described.

DESCRIPTION

(56) **References Cited**

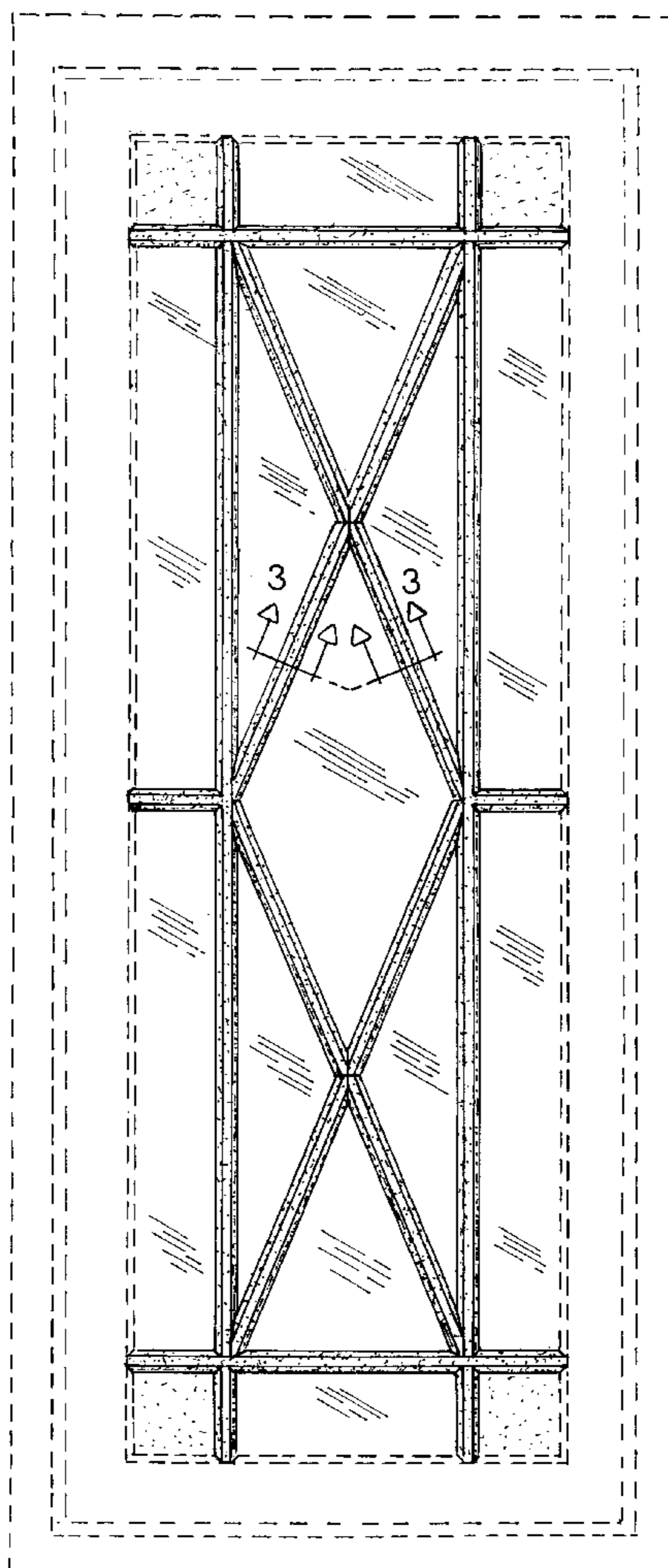
U.S. PATENT DOCUMENTS

- D295,244 S * 4/1988 Bauman D6/438
- D366,784 S * 2/1996 Rosebrock D6/436
- D415,291 S * 10/1999 Woodruff D25/103

FIG. 1 is front elevational view of the cabinet panel.
FIG. 2 is a front elevational view of an alternative design for
the cabinet panel; and,
FIG. 3 is a sectional view taken through the lines 3-3 of
FIGS. 1 and 2.

The broken lines in the drawings form no part of the claimed
design.

1 Claim, 3 Drawing Sheets



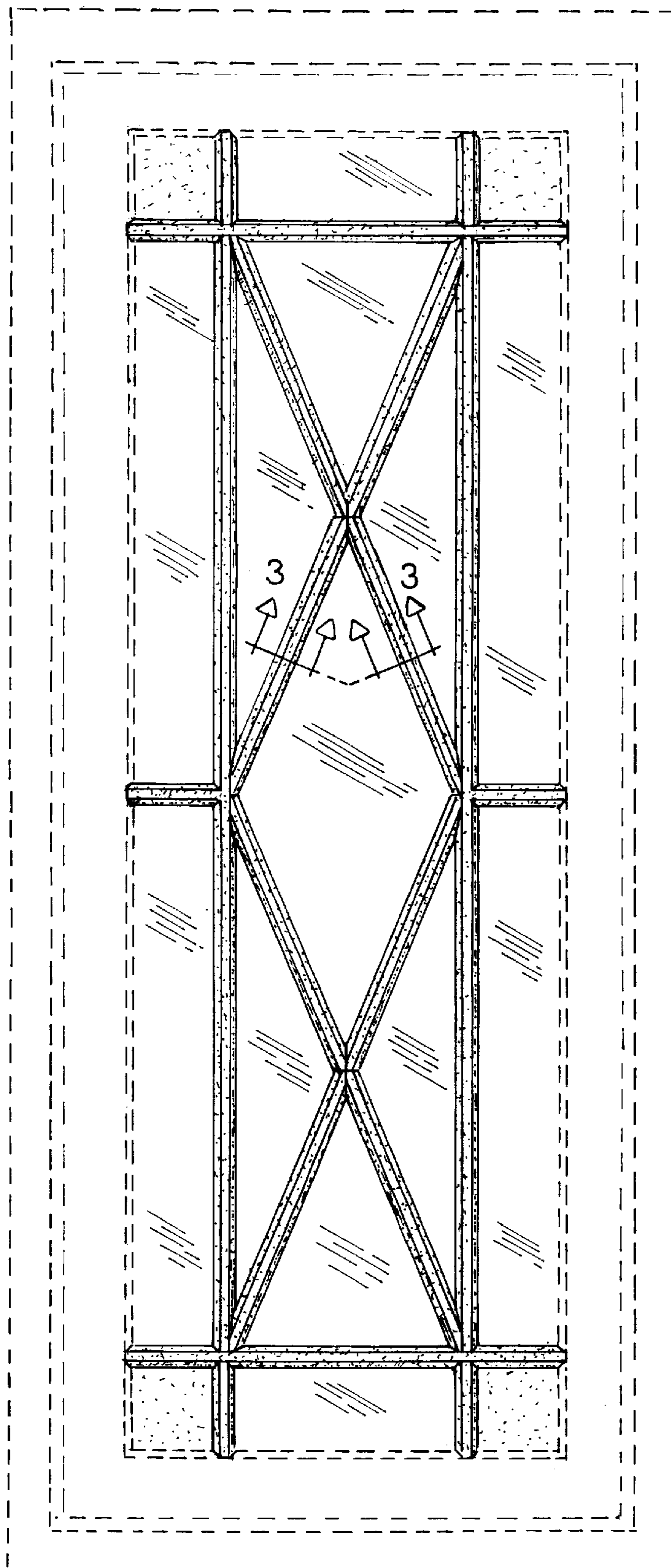


FIG. 1

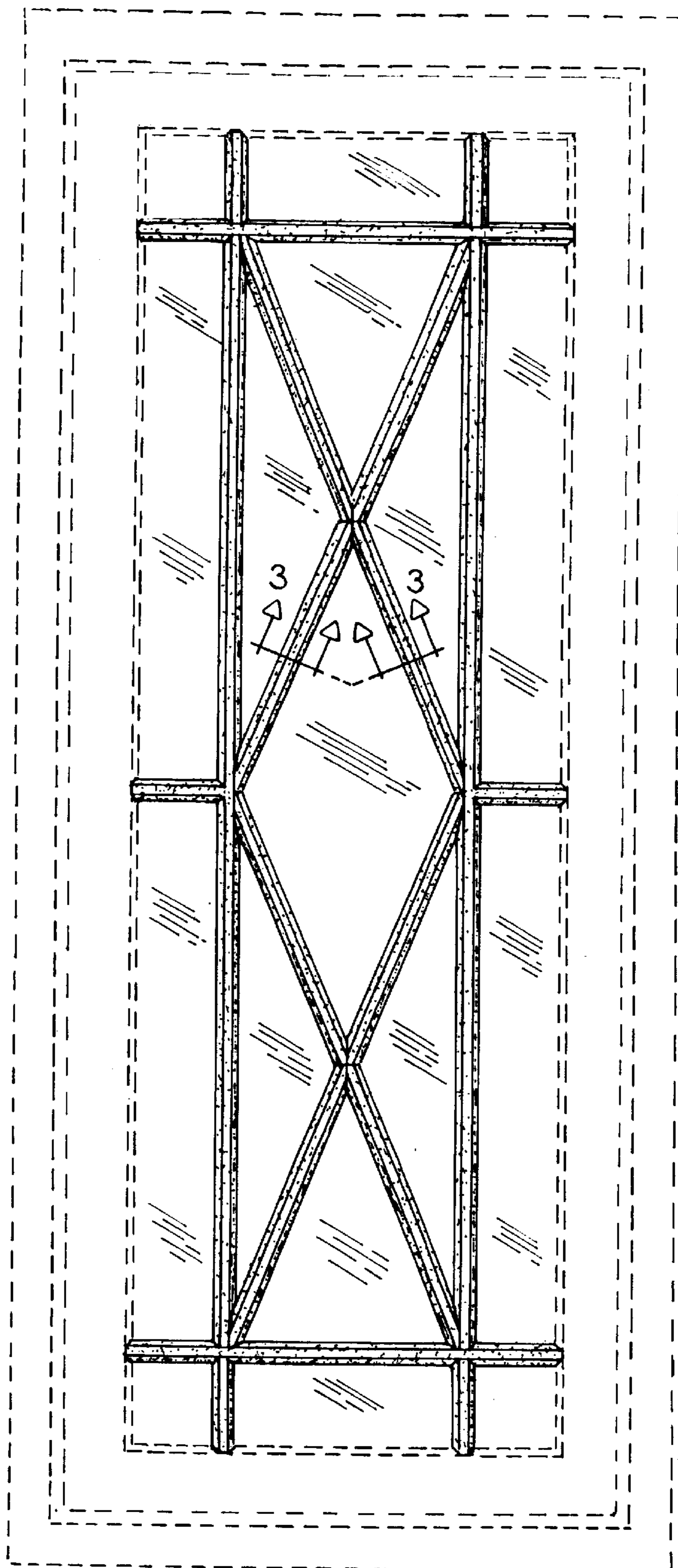


FIG. 2



FIG. 3