



US00D477935S

(12) **United States Design Patent**
Kuntz

(10) **Patent No.:** **US D477,935 S**

(45) **Date of Patent:** **** Aug. 5, 2003**

(54) **REGISTRATION BOX**

D324,140 S 2/1992 Kuntz
D342,843 S 1/1994 Kuntz

(76) Inventor: **Gay S. Kuntz**, 326 N. Spot Rd.,
Powells Point, NC (US) 27966

OTHER PUBLICATIONS

(**) Term: **14 Years**

Vacation Industry Review, Summer 1991, The Neon Hour-
glass advertisement (2 pages).

(21) Appl. No.: **29/164,837**

(1) Sample Box Only page and 3 photographs.

(22) Filed: **Aug. 1, 2002**

“Show Model Regi-Stand” flier and 1 photograph.

(51) **LOC (7) Cl.** **06-03**

“Little Black Box” flier and 1 photograph.

(52) **U.S. Cl.** **D6/486**

“Spin & Win” flier and 1 photograph.

(58) **Field of Search** D6/480-489, 495;
108/150, 25, 33, 161; 232/2; 235/57

“Convertible Regi-Stand” flier and 1 photograph.

* cited by examiner

(56) **References Cited**

Primary Examiner—Janice E. Seeger

U.S. PATENT DOCUMENTS

(57) **CLAIM**

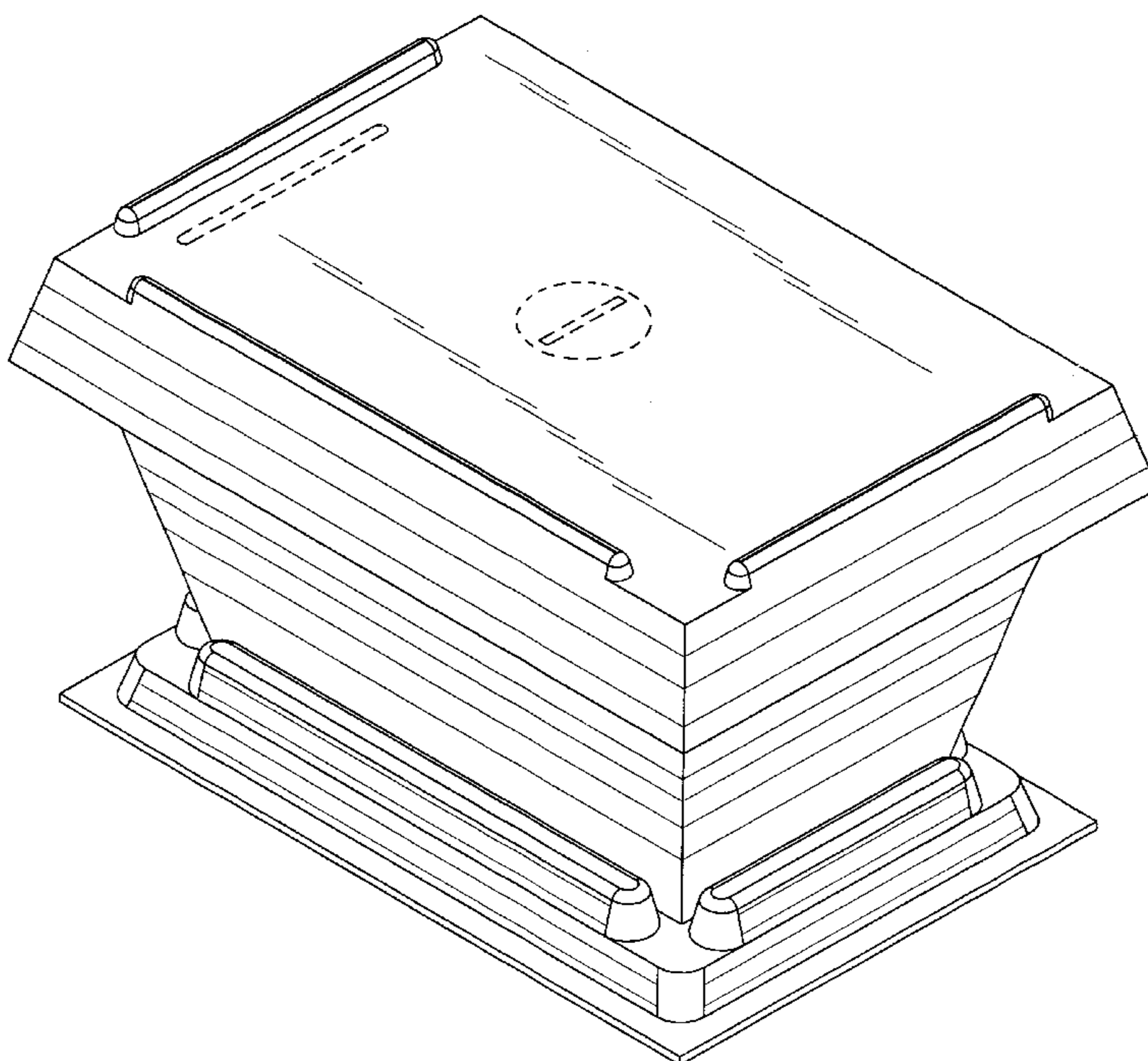
- D10,341 S 12/1877 Luchs
- D130,954 S 12/1941 Pirnstill
- D138,055 S 6/1944 Cristontello
- D198,324 S 6/1964 Gale
- 3,230,909 A 1/1966 Watson
- D214,473 S * 6/1969 Plessinger D6/486
- D219,928 S 2/1971 Tincer
- D222,309 S * 10/1971 Ellingson et al. D6/486
- D229,589 S 12/1973 Gregorutti
- D234,932 S 4/1975 Burke
- D243,295 S 2/1977 Hartinger
- D254,998 S 5/1980 Espeseth
- 4,208,072 A 6/1980 Iskendarian
- D265,359 S * 7/1982 Malven D6/480
- D267,139 S 12/1982 Hanaford
- D276,287 S 11/1984 Sturcz et al.
- D285,760 S 9/1986 Milling
- D288,527 S 3/1987 Maguire
- D312,932 S * 12/1990 Congin et al. D6/496
- D317,405 S 6/1991 Yasika

The ornamental design for a registration box, as shown and described.

DESCRIPTION

FIG. 1 is a top, front, right side perspective view of a registration box embodying my design, the dotted lines showing the position of a slot and a lock which do not form part of the design;
FIG. 2 is a top plan view of the design as shown in FIG. 1;
FIG. 3 is a front elevational view of the design as shown in FIG. 1;
FIG. 4 is a rear elevational view of the design as shown in FIG. 1; and,
FIG. 5 is a right side elevational view of the design as shown in FIG. 1, the left side elevational view being a mirror image thereof with the bottom view (unseen) being plain and unornamental.

1 Claim, 5 Drawing Sheets



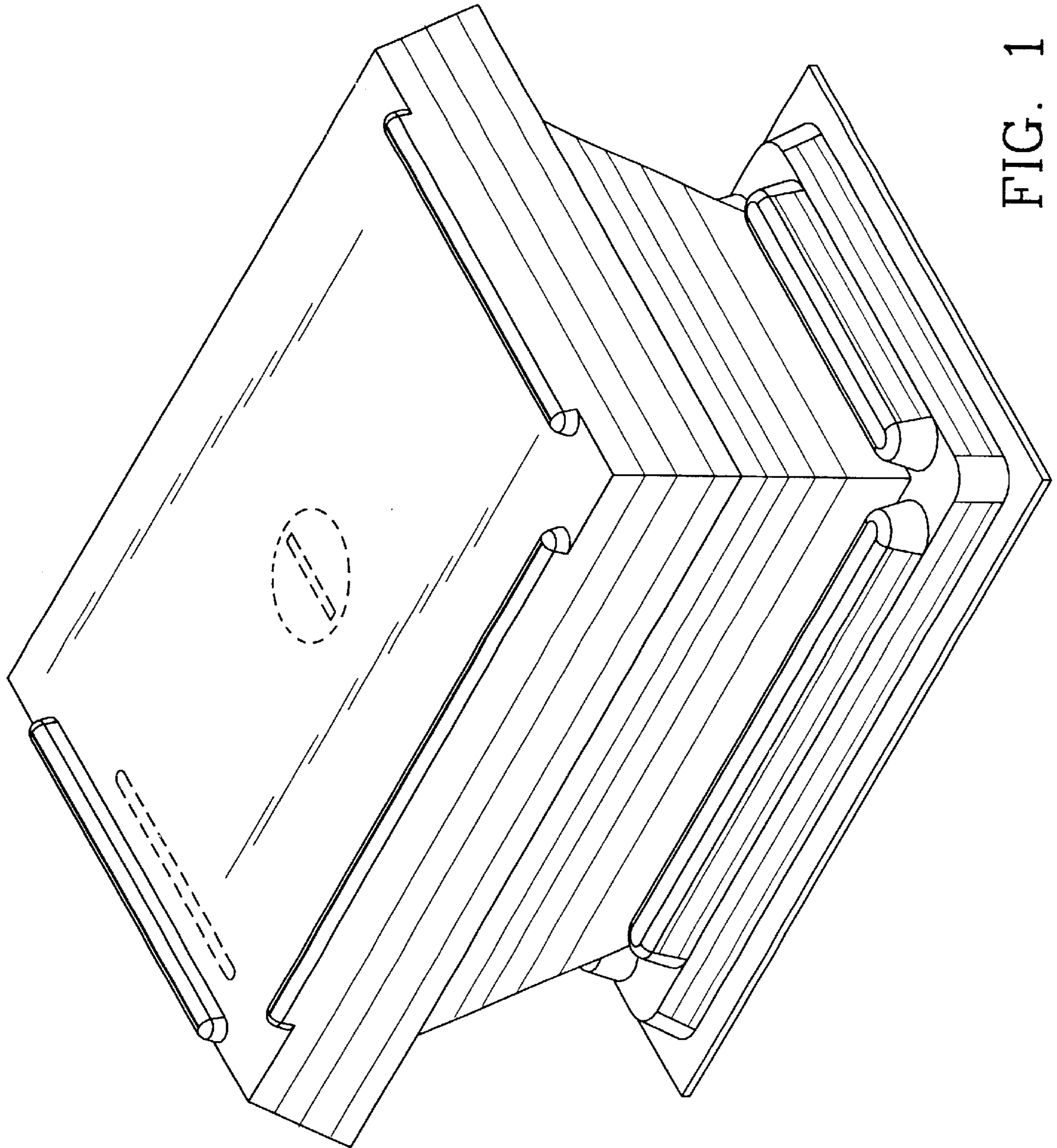


FIG. 1

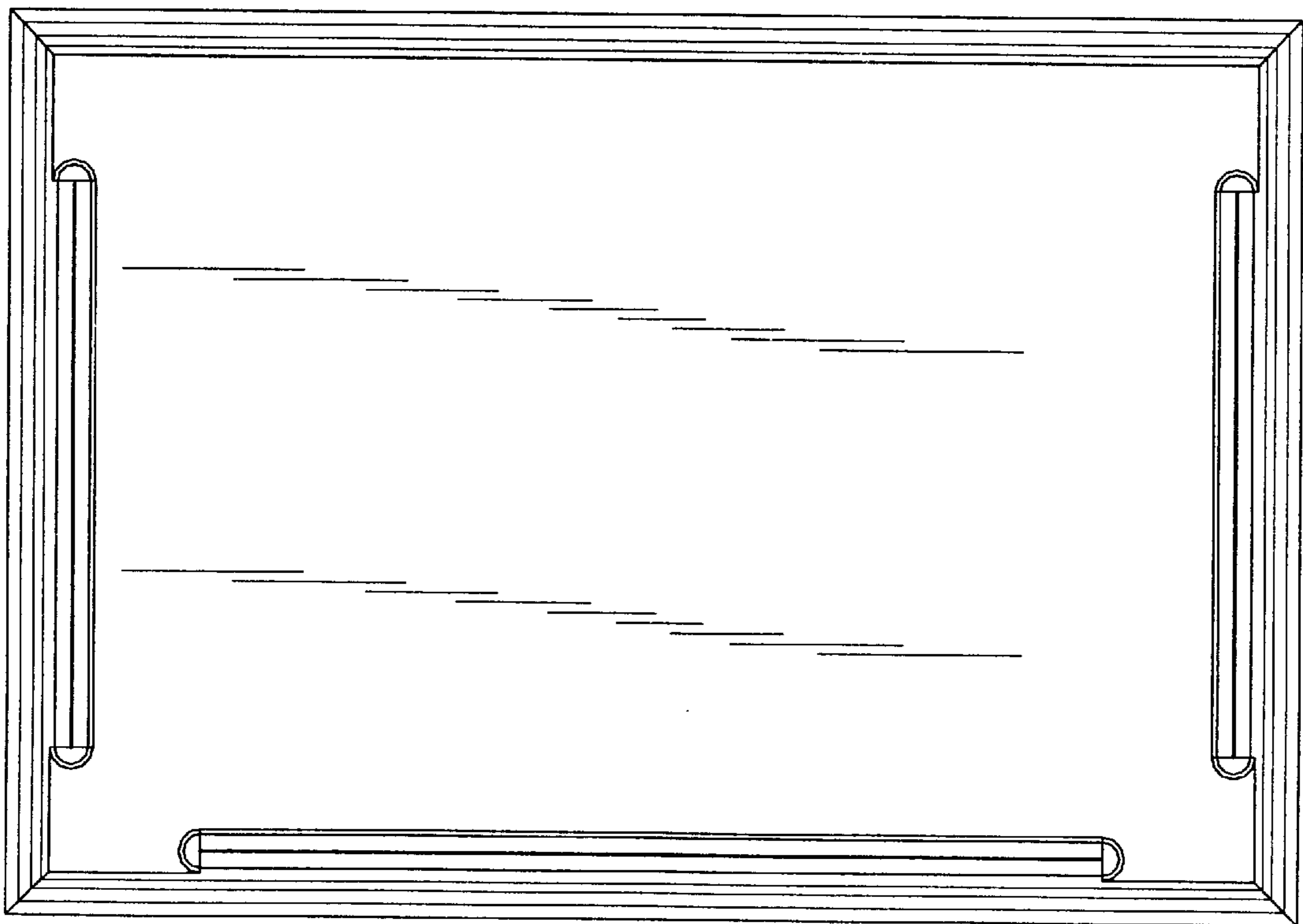


FIG. 2

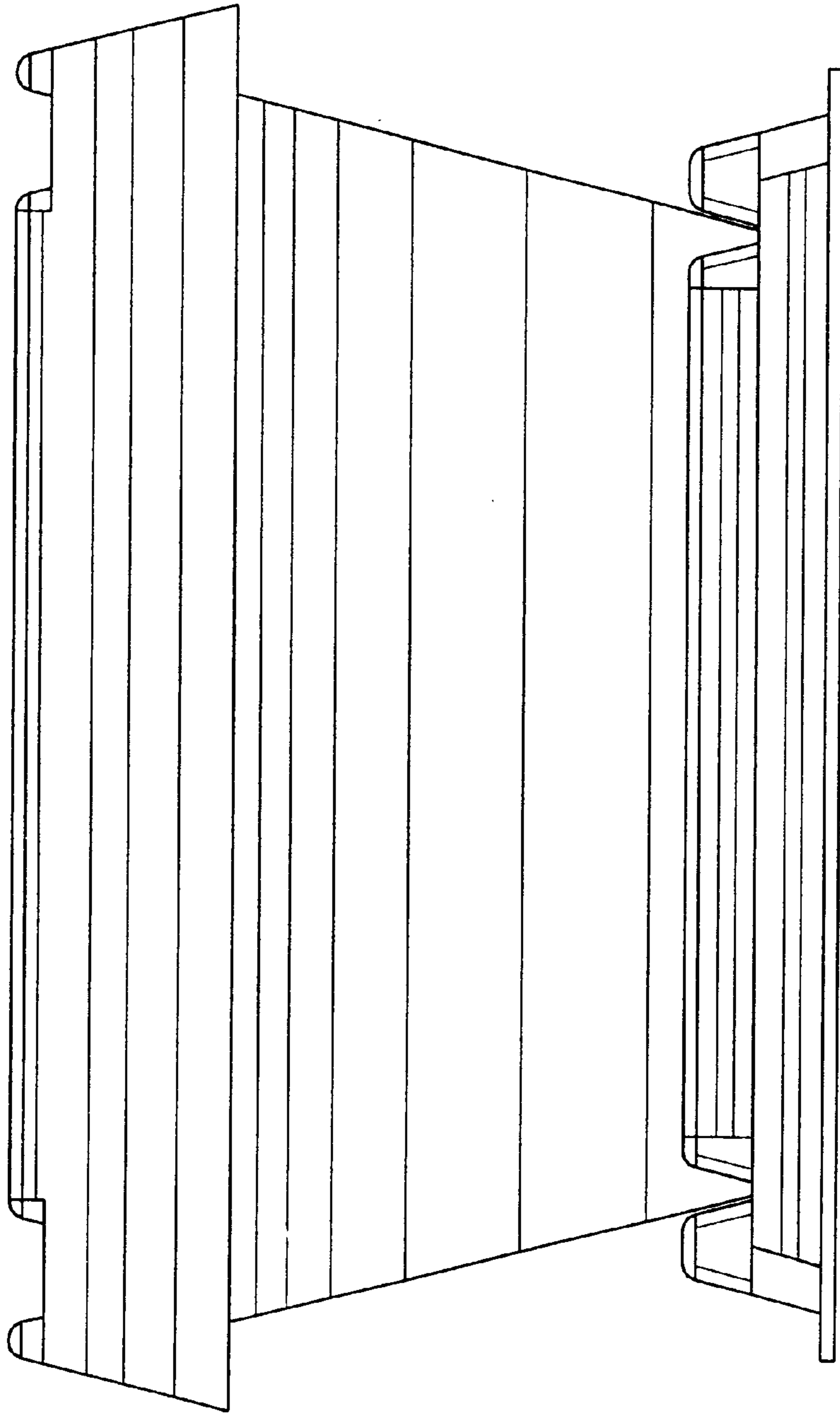


FIG. 3

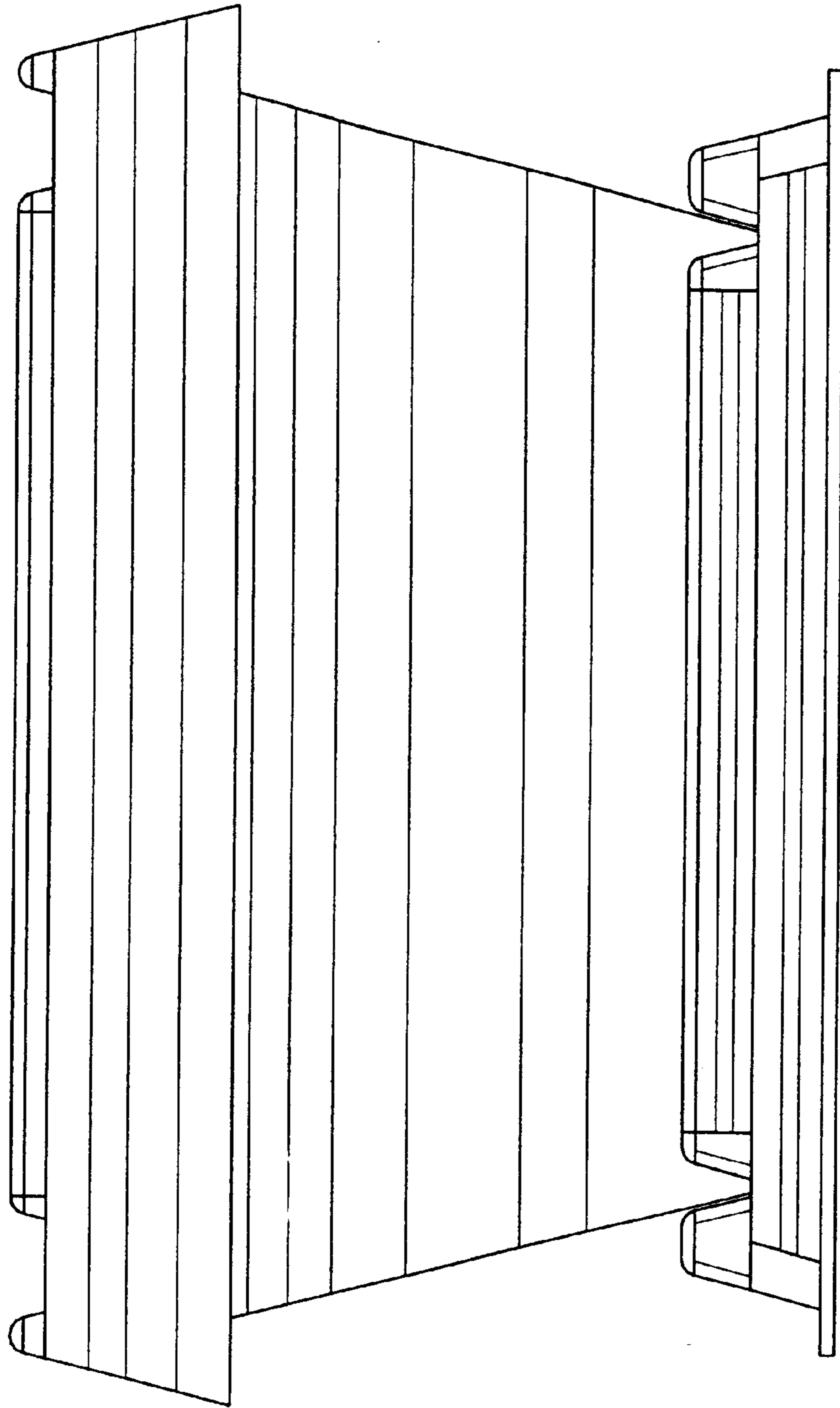


FIG. 4

FIG. 5

