



US00D477934S

(12) **United States Design Patent**  
**Goossens**

(10) **Patent No.:** **US D477,934 S**

(45) **Date of Patent:** **\*\* Aug. 5, 2003**

(54) **REVOLVING DISPLAY STAND FOR  
ADVERTISEMENT CARDS OR POSTCARDS**

(75) Inventor: **Ton O. Q. Goossens**, Zwaneburg (NL)

(73) Assignee: **V.O.F. Minicards**, Amsterdam (NL)

(\*\*) Term: **14 Years**

(21) Appl. No.: **29/157,298**

(22) Filed: **Mar. 15, 2002**

(30) **Foreign Application Priority Data**

Dec. 17, 2001 (DM) ..... DM/19969001

(51) **LOC (7) Cl.** ..... **06-04**

(52) **U.S. Cl.** ..... **D6/457; D6/458; D6/465;  
D6/468**

(58) **Field of Search** ..... D6/409-415, 449,  
D6/455-458, 461-462, 464-468, 474, 476;  
211/13.1, 85.1, 85.2, 85.3, 85.4, 85.5, 30,  
33, 78, 163, 196, 197, 198, 199, 200, 204,  
205, 206

(56) **References Cited**

**U.S. PATENT DOCUMENTS**

4,093,077	A	*	6/1978	Strasser	.....	211/194
D285,758	S	*	9/1986	March	.....	D6/465
D328,674	S	*	8/1992	Dokoupil et al.	.....	D6/407
D426,984	S	*	6/2000	Griffith	.....	D6/457
D436,265	S	*	1/2001	Kidd et al.	.....	D6/457
D459,915	S	*	7/2002	Bustos	.....	D6/468

\* cited by examiner

*Primary Examiner*—Cathron C. Brooks  
(74) *Attorney, Agent, or Firm*—Webb Ziesenheim Logsdon Orkin & Hanson, P.C.

(57) **CLAIM**

The ornamental design for a revolving display stand for advertisement cards or postcards, as shown and described.

**DESCRIPTION**

FIG. 1 is a perspective view of a revolving display stand for advertisement cards or postcards according to the present invention with the tubular element shown broken apart for the purpose of fitting the view onto one page;

FIG. 2 is a side view of the revolving display stand shown in FIG. 1 with the tubular element shown broken apart for the purpose of fitting the view onto one page;

FIG. 3 is a top view of the revolving display stand shown in FIG. 1;

FIG. 4 is a bottom view of the revolving display stand shown in FIG. 1;

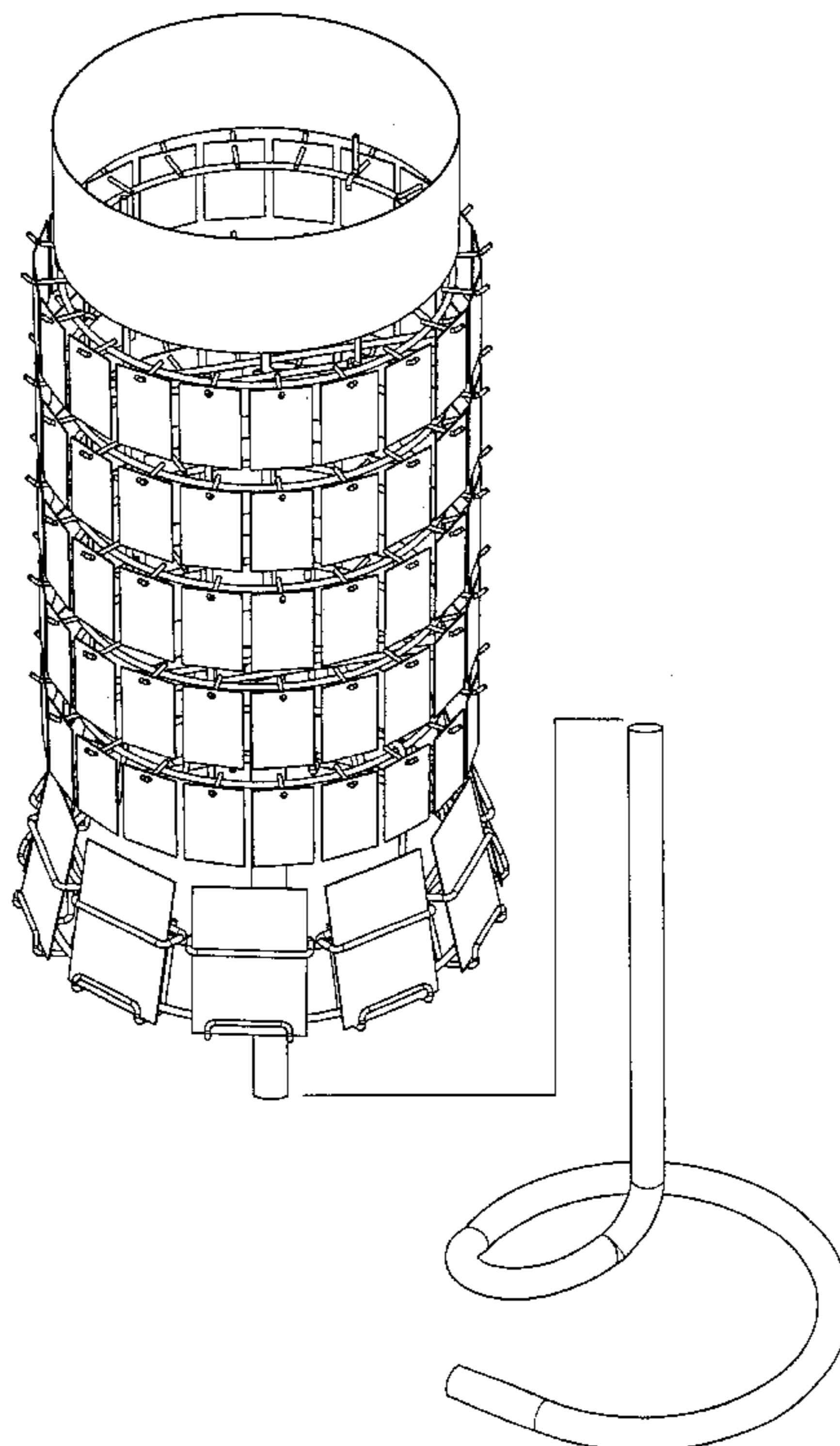
FIG. 5 is a perspective view of a base of the revolving display stand shown in FIG. 1, shown separately for completeness of illustration;

FIG. 6 is a perspective view of a lower portion of the revolving display stand shown in FIG. 1, shown separately for completeness of illustration;

FIG. 7 is a perspective view of a top portion of the revolving display stand shown in FIG. 1, shown separately for completeness of illustration; and,

FIG. 8 is a perspective view of a middle portion of the revolving display stand shown in FIG. 1, shown separately for completeness of illustration.

**1 Claim, 7 Drawing Sheets**



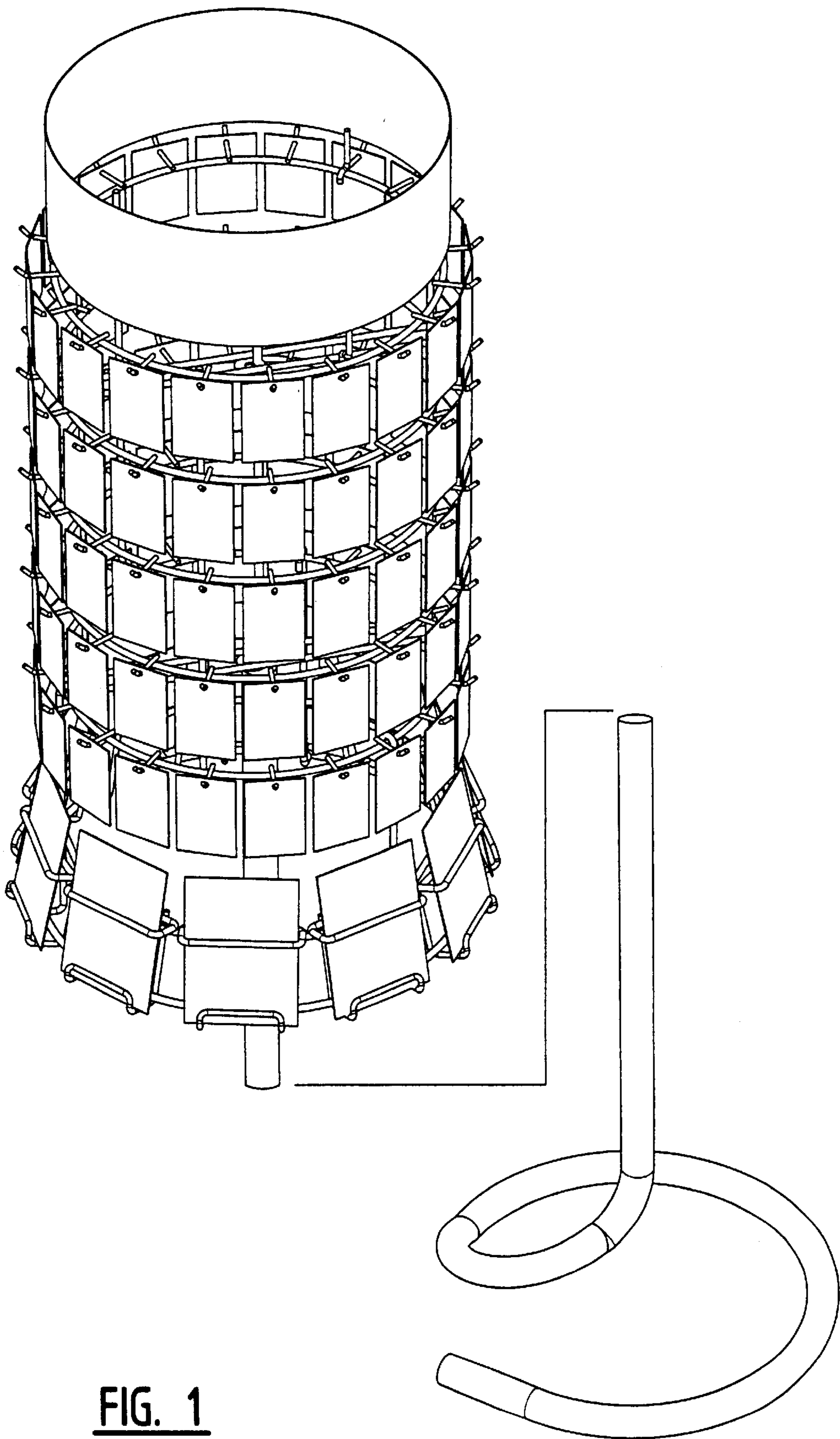


FIG. 1

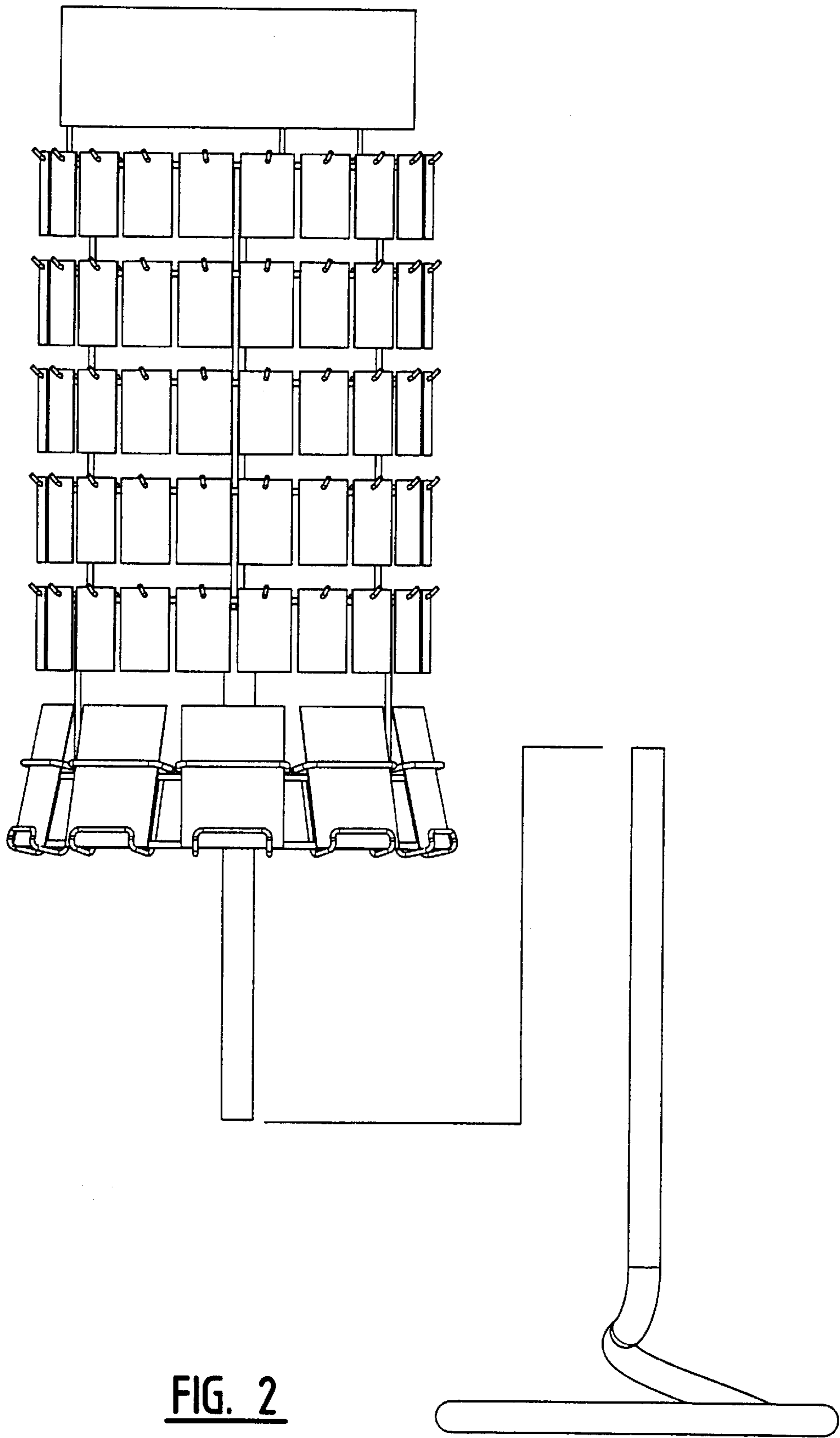


FIG. 2

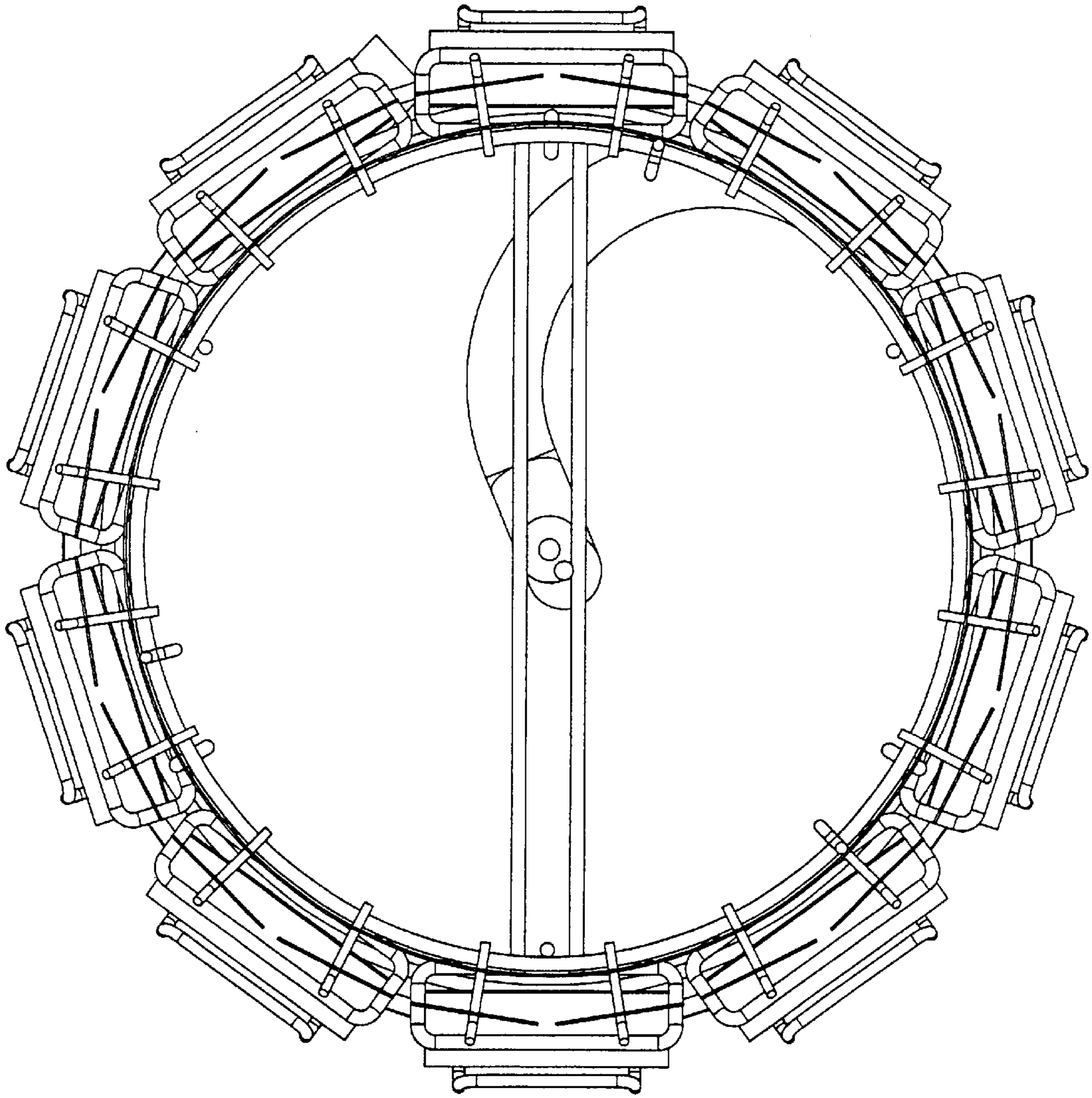


FIG. 3



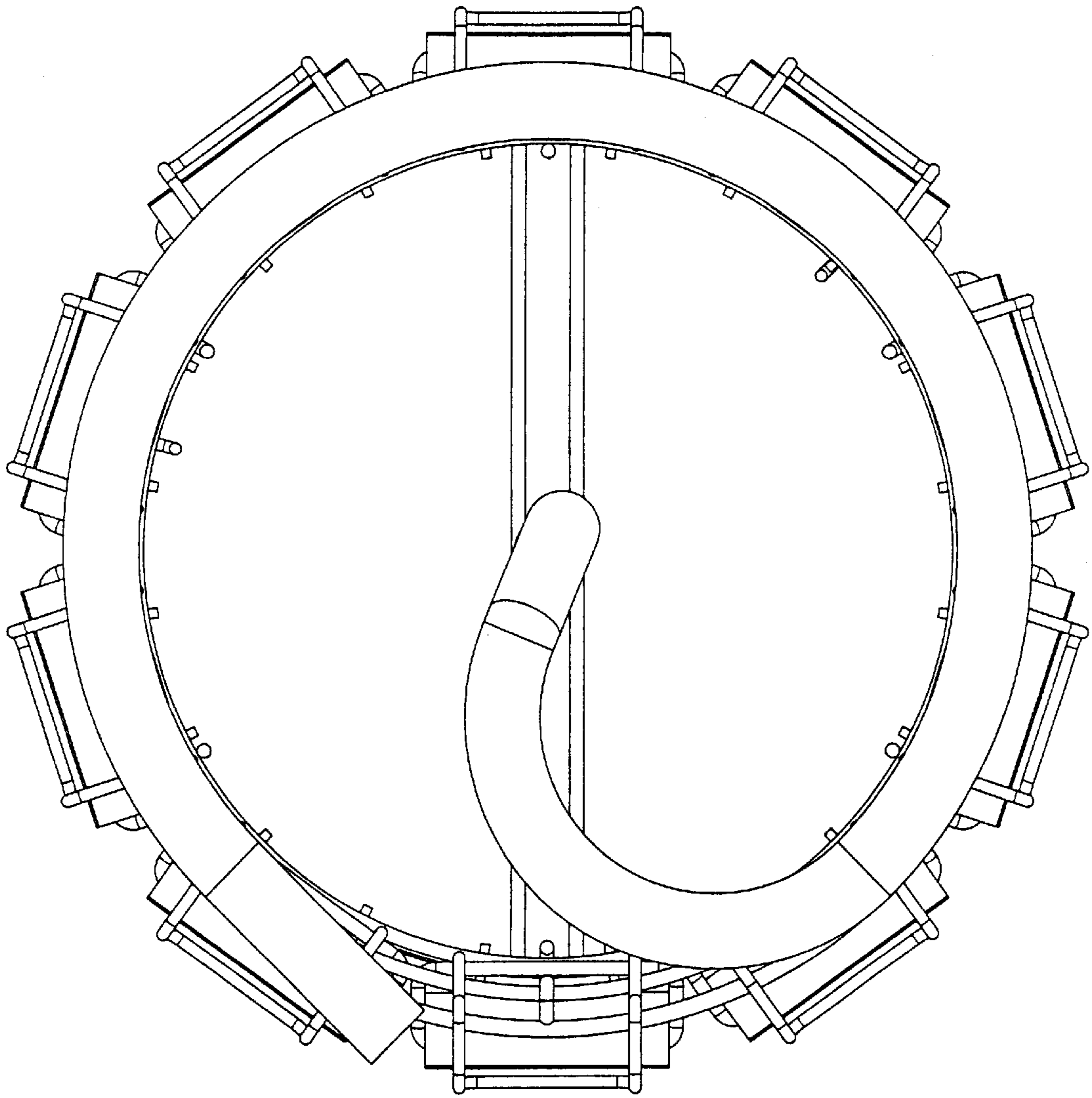


FIG. 4

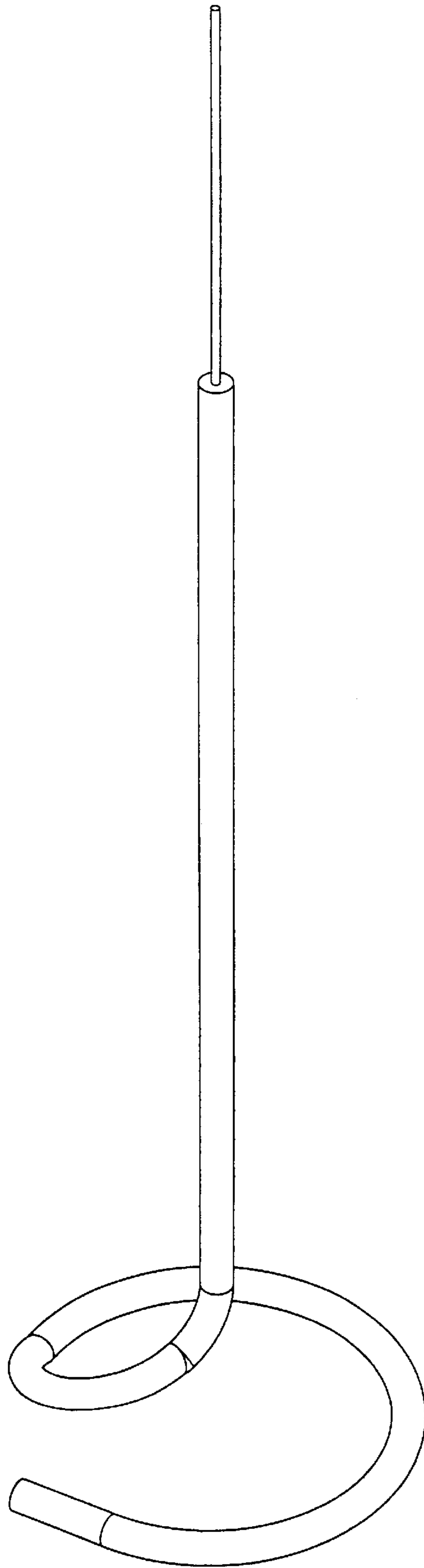


FIG. 5

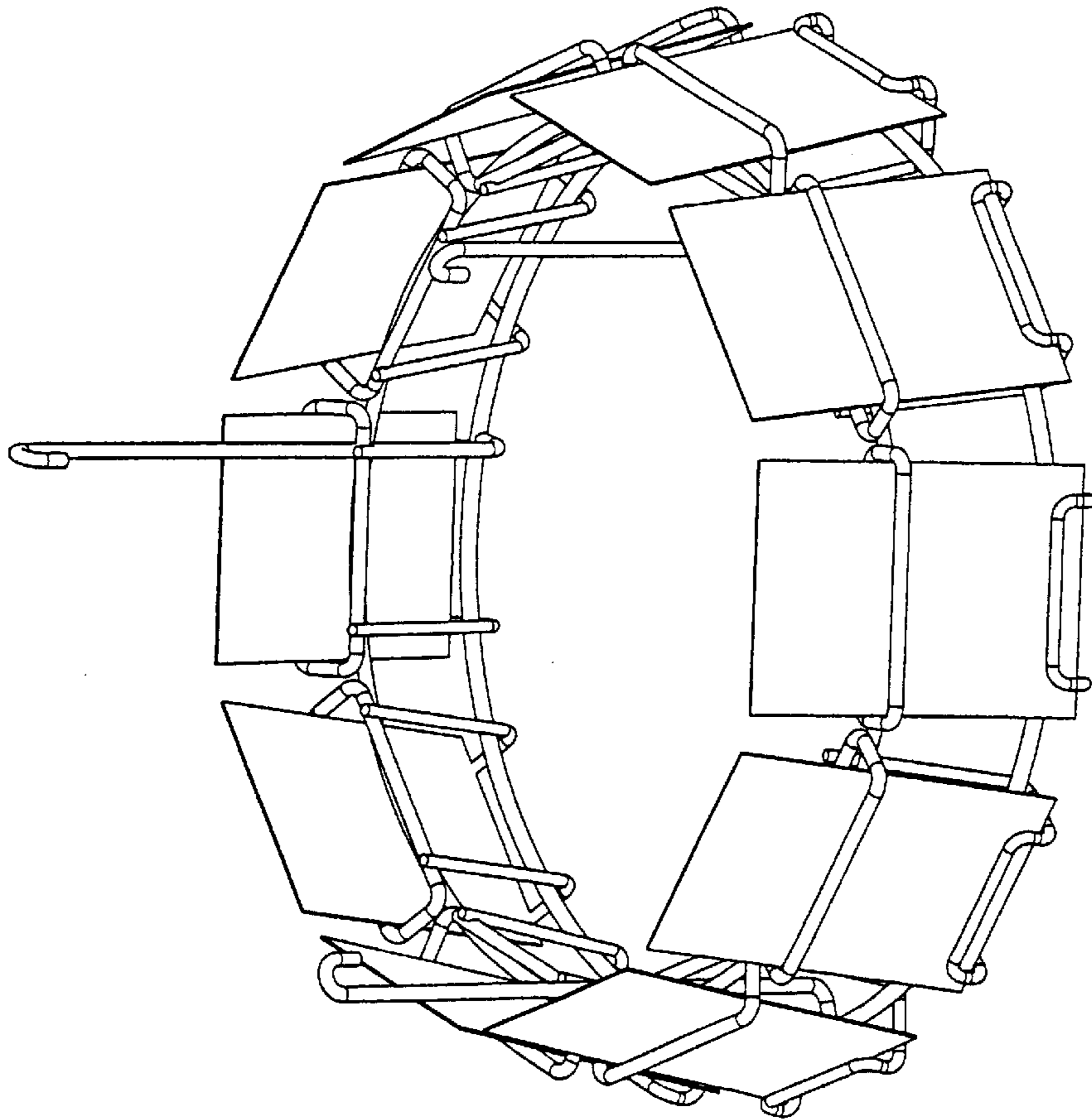


FIG. 6

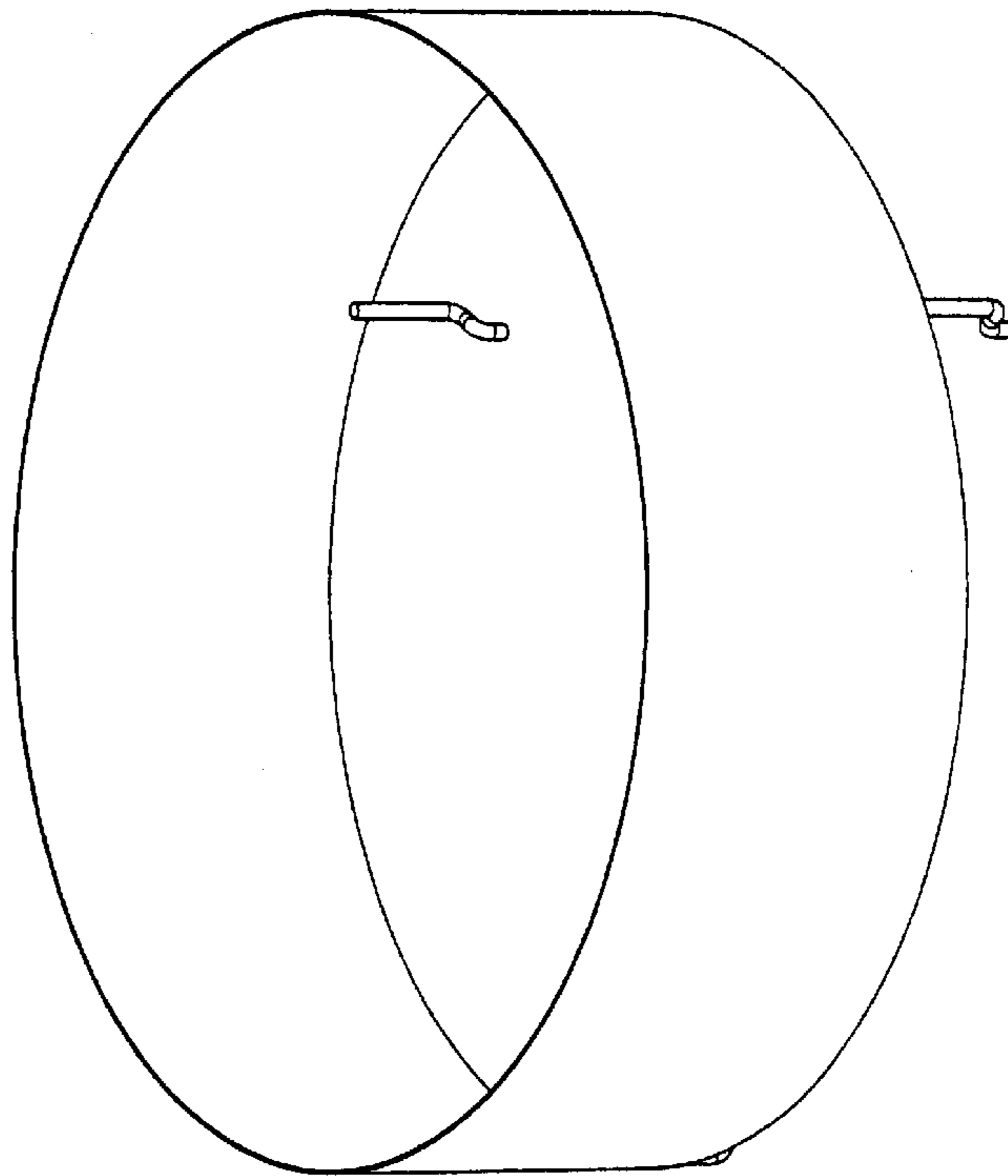


FIG. 7

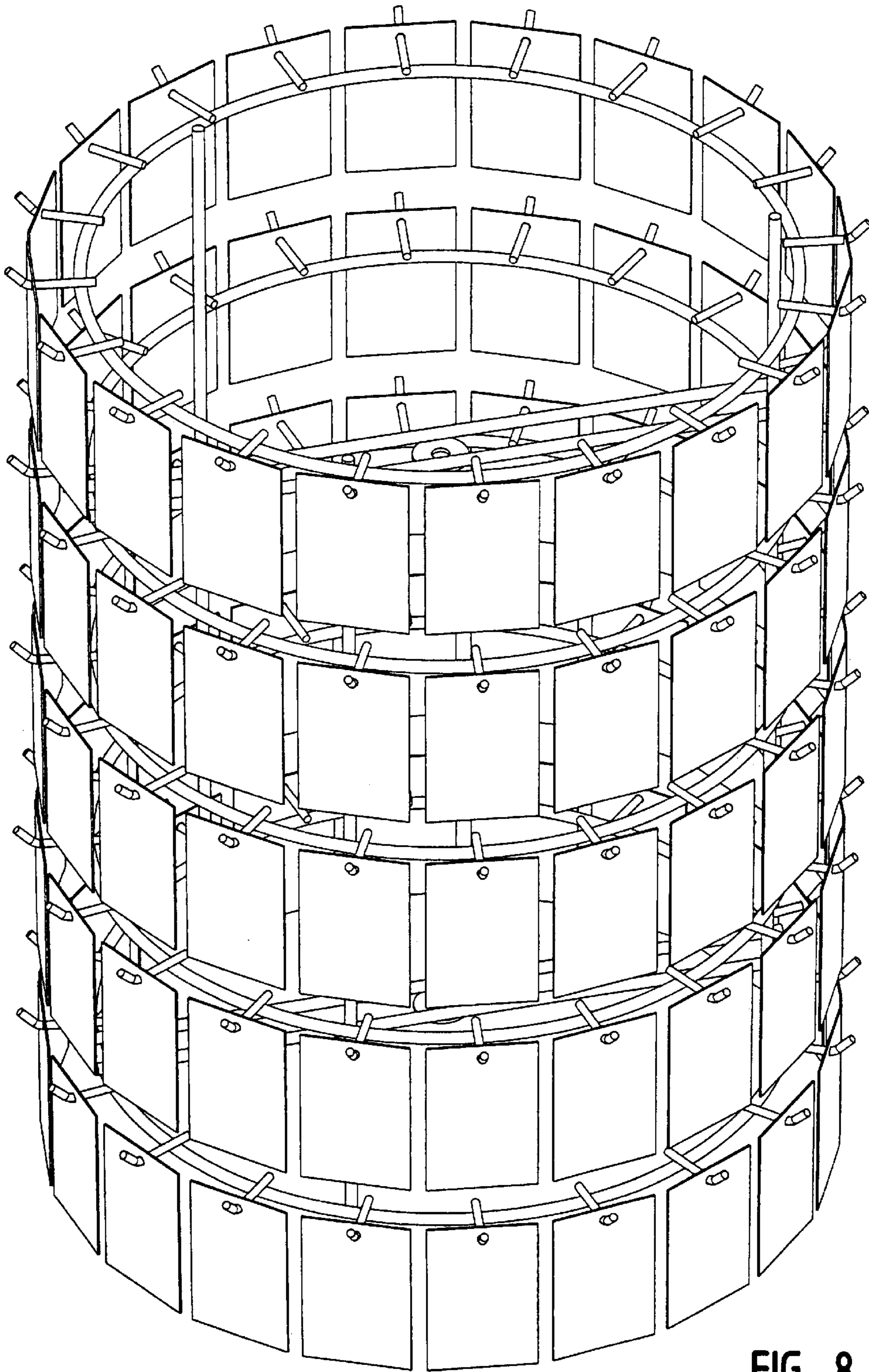


FIG. 8



UNITED STATES PATENT AND TRADEMARK OFFICE  
**CERTIFICATE OF CORRECTION**

PATENT NO. : Des. 477,934 S  
DATED : August 5, 2003  
INVENTOR(S) : Ton O. Q. Goossens

Page 1 of 1

It is certified that error appears in the above-identified patent and that said Letters Patent is hereby corrected as shown below:

Title page,

Item [30], **Foreign Application Priority Data**, "DM/19969001" should read  
-- DM/199969001 --.

Signed and Sealed this

Twenty-seventh Day of January, 2004

A handwritten signature in black ink that reads "Jon W. Dudas". The signature is written in a cursive style with a large, looped initial "J".

JON W. DUDAS

*Acting Director of the United States Patent and Trademark Office*