



US00D477932S

(12) **United States Design Patent**
Chang

(10) **Patent No.:** **US D477,932 S**

(45) **Date of Patent:** **** Aug. 5, 2003**

(54) **COMPUTER TABLE**

(76) Inventor: **Wu-De Chang**, No. 27, Alley 43, Lane 192, Sec. 1, Dong-Shan Rd., Taichung City (TW)

(**) Term: **14 Years**

(21) Appl. No.: **29/169,086**

(22) Filed: **Oct. 15, 2002**

(51) **LOC (7) Cl.** **06-04**

(52) **U.S. Cl.** **D6/426; D6/484**

(58) **Field of Search** D6/480-489, 495, D6/422-428; 108/50.01, 50.02; 312/194-196, 204, 208.1, 208.2, 208.4, 239; 248/188, 188.1, 188.8

(56) **References Cited**

U.S. PATENT DOCUMENTS

D278,583 S * 4/1985 Koguma D6/426
D317,092 S * 5/1991 Koguma D6/428

D339,257 S * 9/1993 Scharer et al. D6/474
D457,012 S * 5/2002 Chang D6/426

* cited by examiner

Primary Examiner—Janice E. Seeger

(74) *Attorney, Agent, or Firm*—Charles E. Baxley

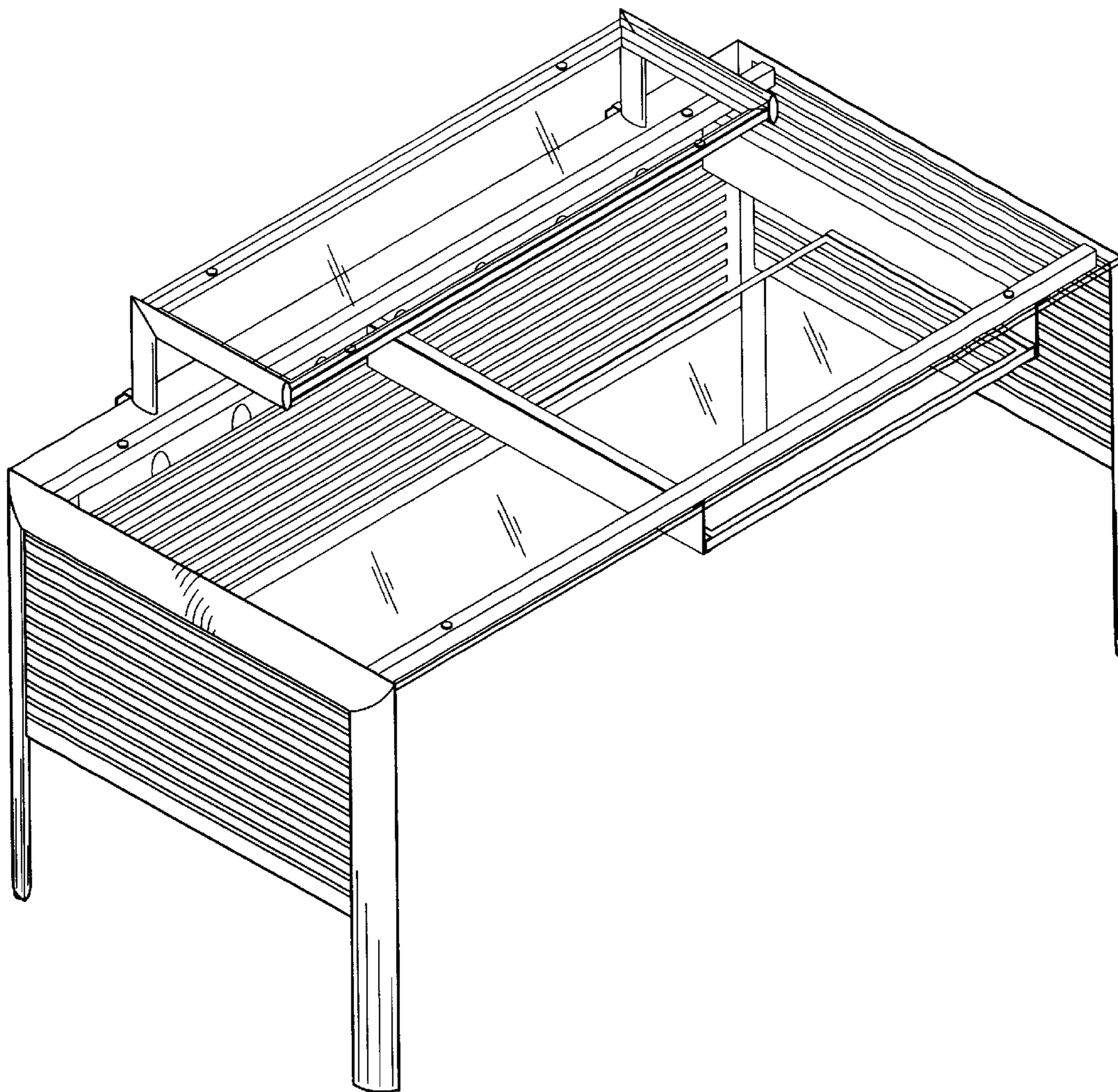
(57) **CLAIM**

The ornamental design for computer table, as shown and described.

DESCRIPTION

FIG. 1 is a perspective view of a computer table showing our new design thereof;
FIG. 2 is a front elevational view thereof;
FIG. 3 is a rear elevational view thereof;
FIG. 4 is a left side elevational view thereof;
FIG. 5 is a right side elevational view thereof;
FIG. 6 is a top plan view thereof; and,
FIG. 7 is a bottom plan view thereof.

1 Claim, 6 Drawing Sheets



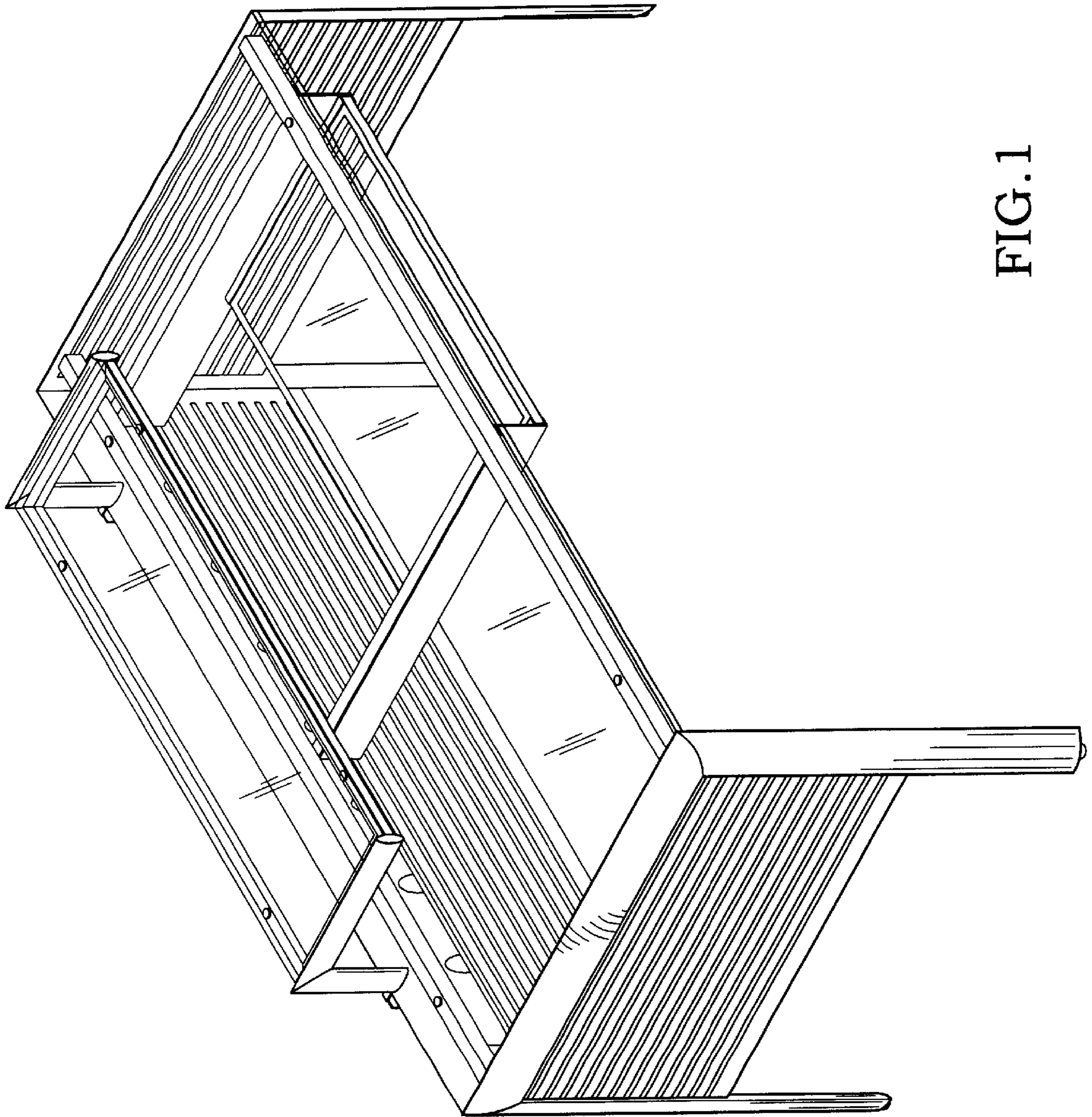


FIG. 1

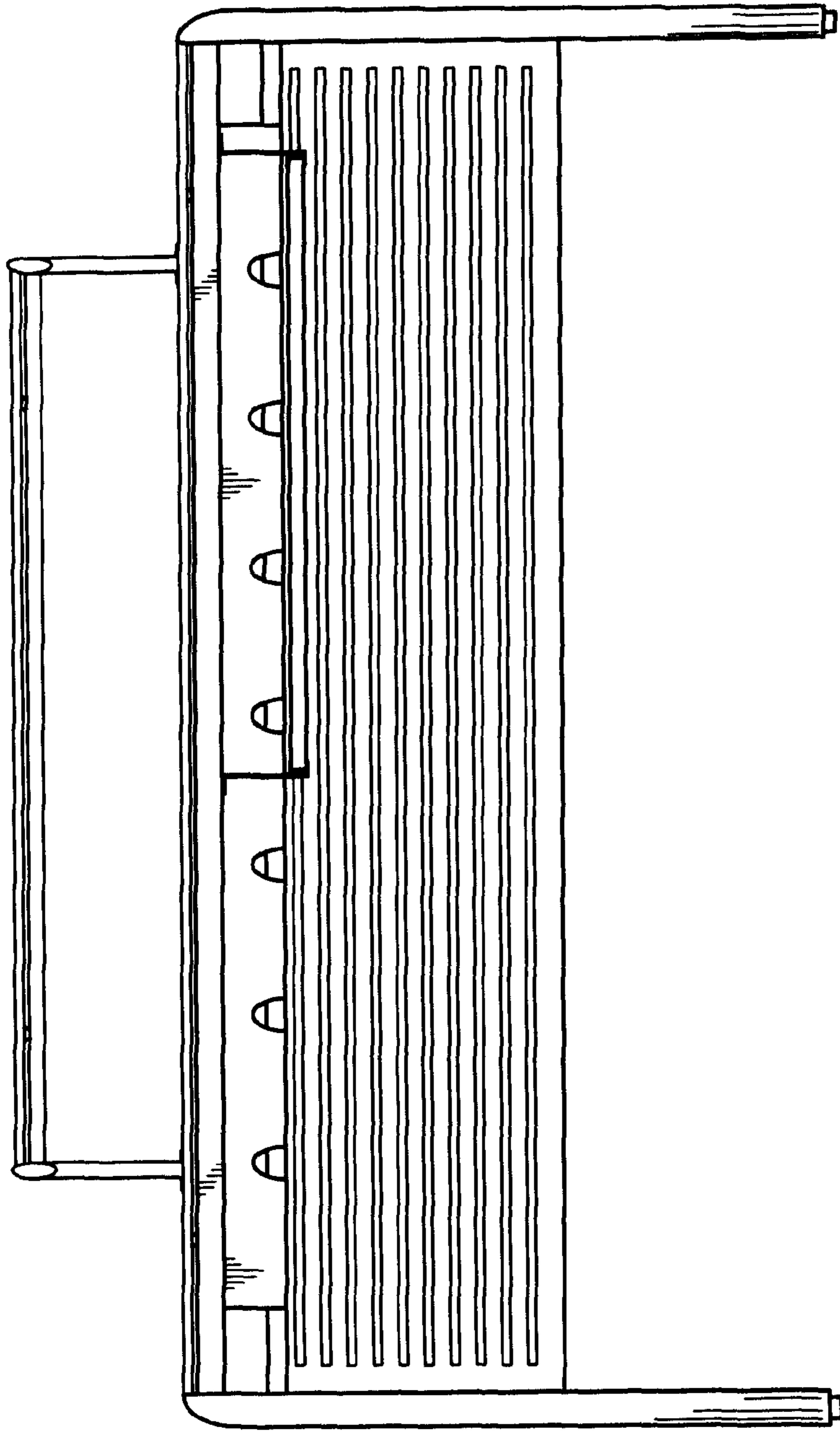


FIG. 2

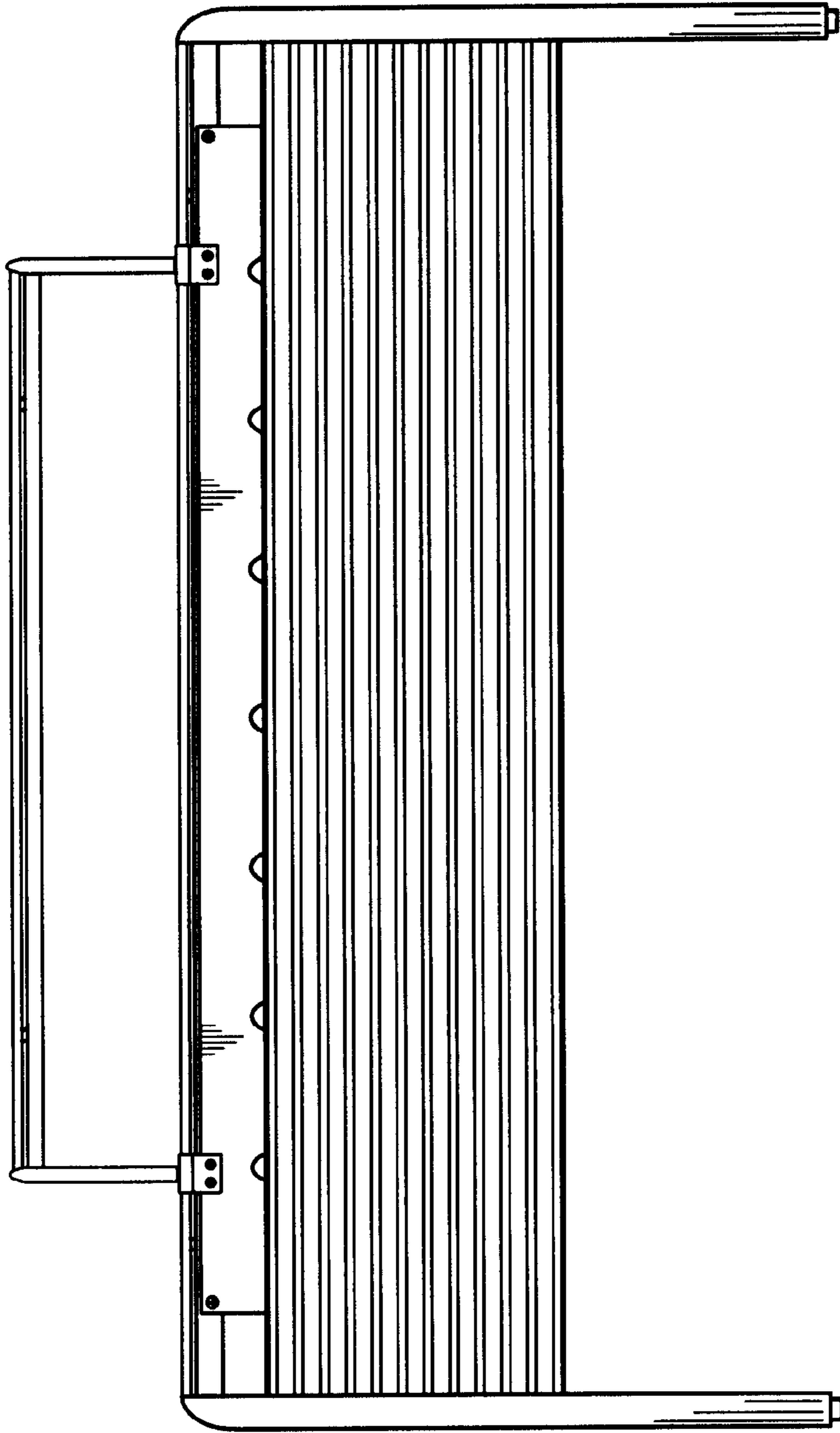


FIG. 3

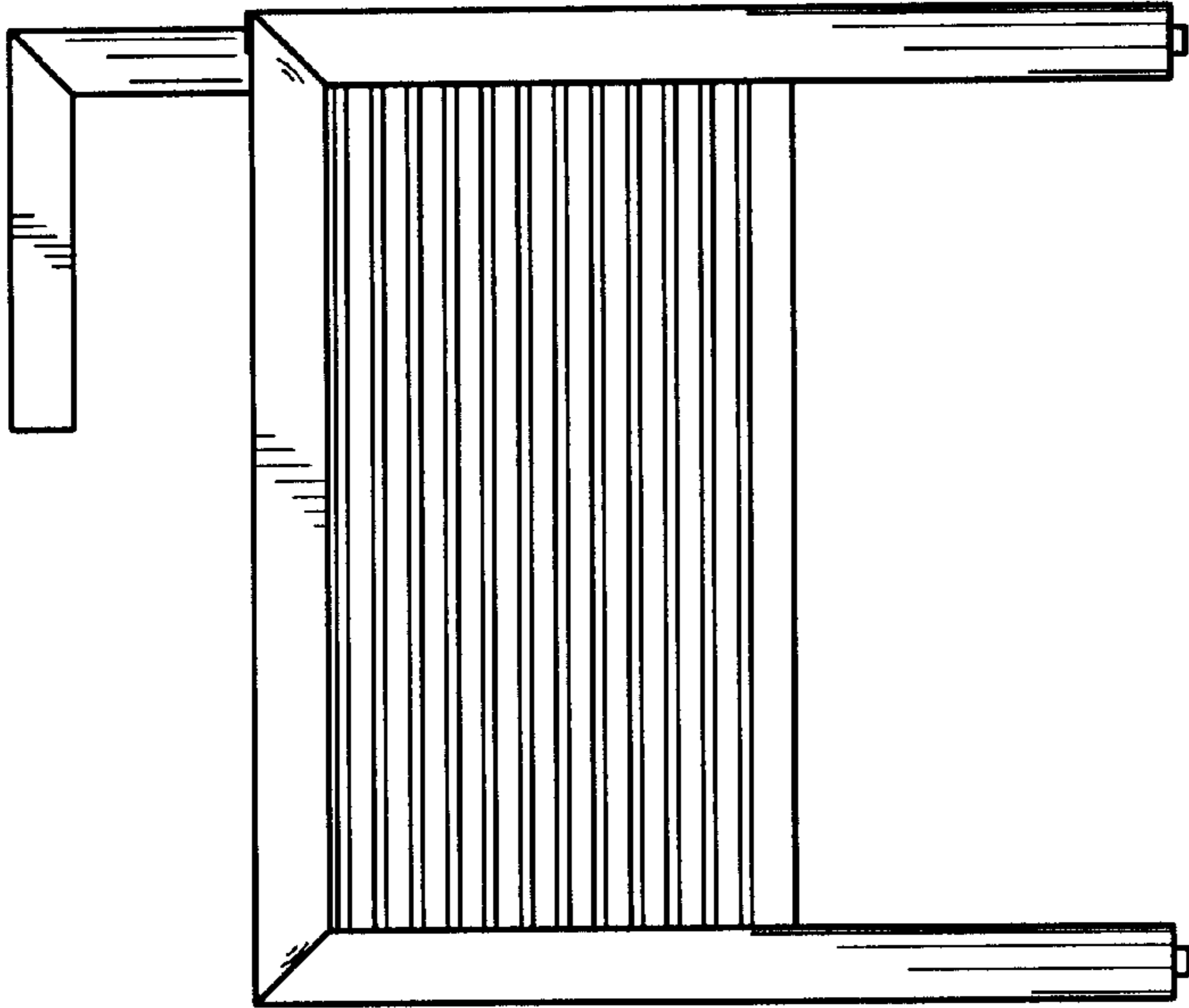


FIG. 5

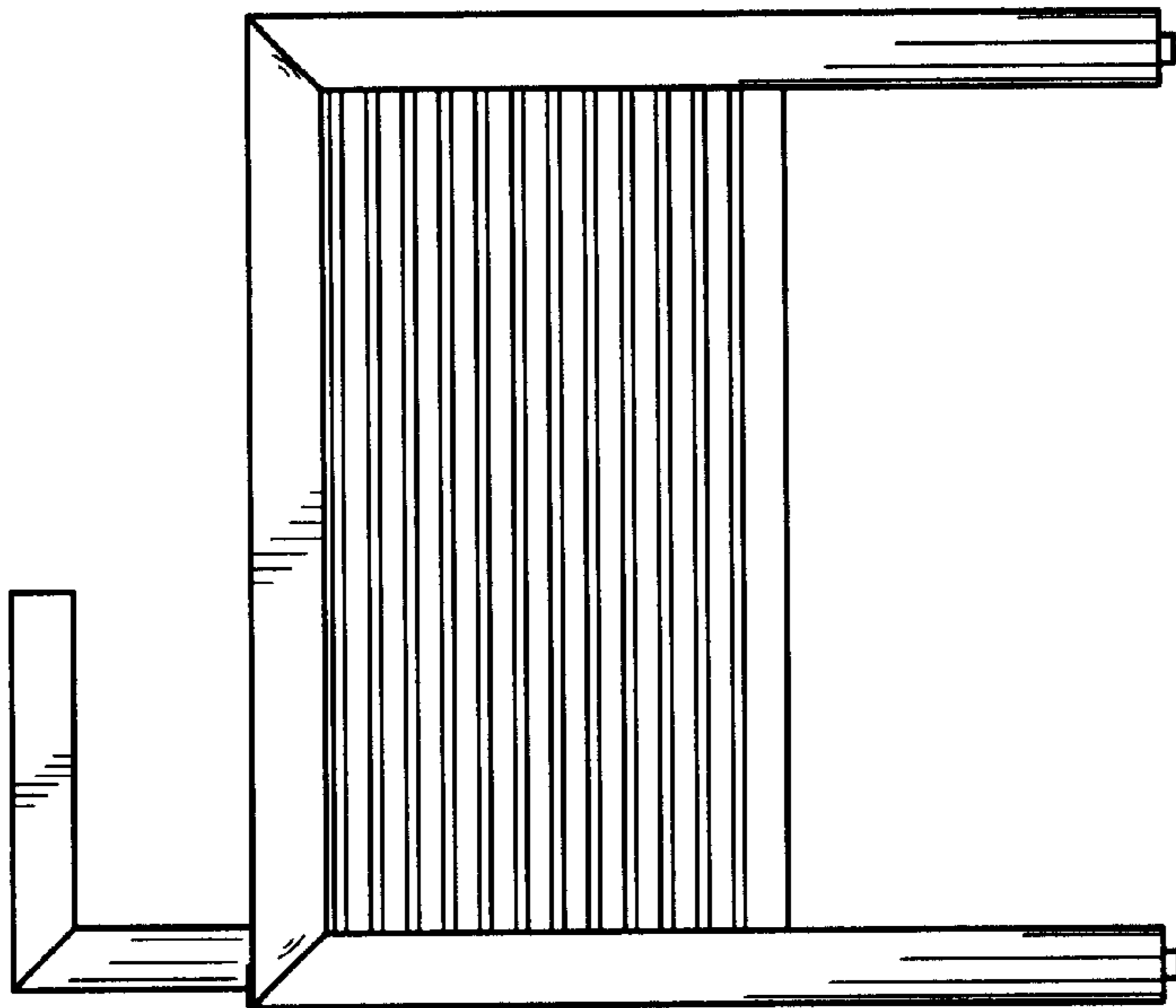


FIG. 4

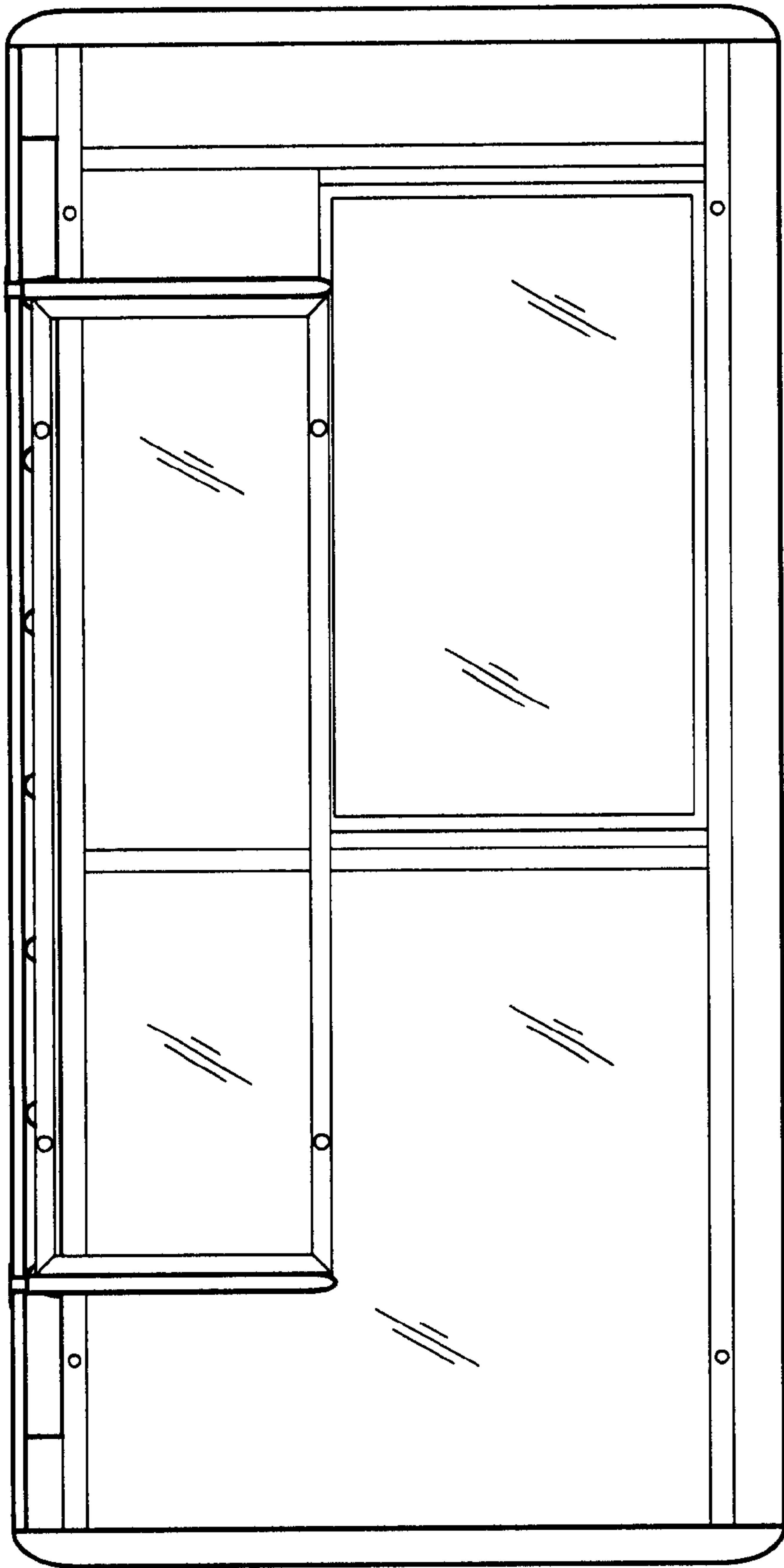


FIG. 6

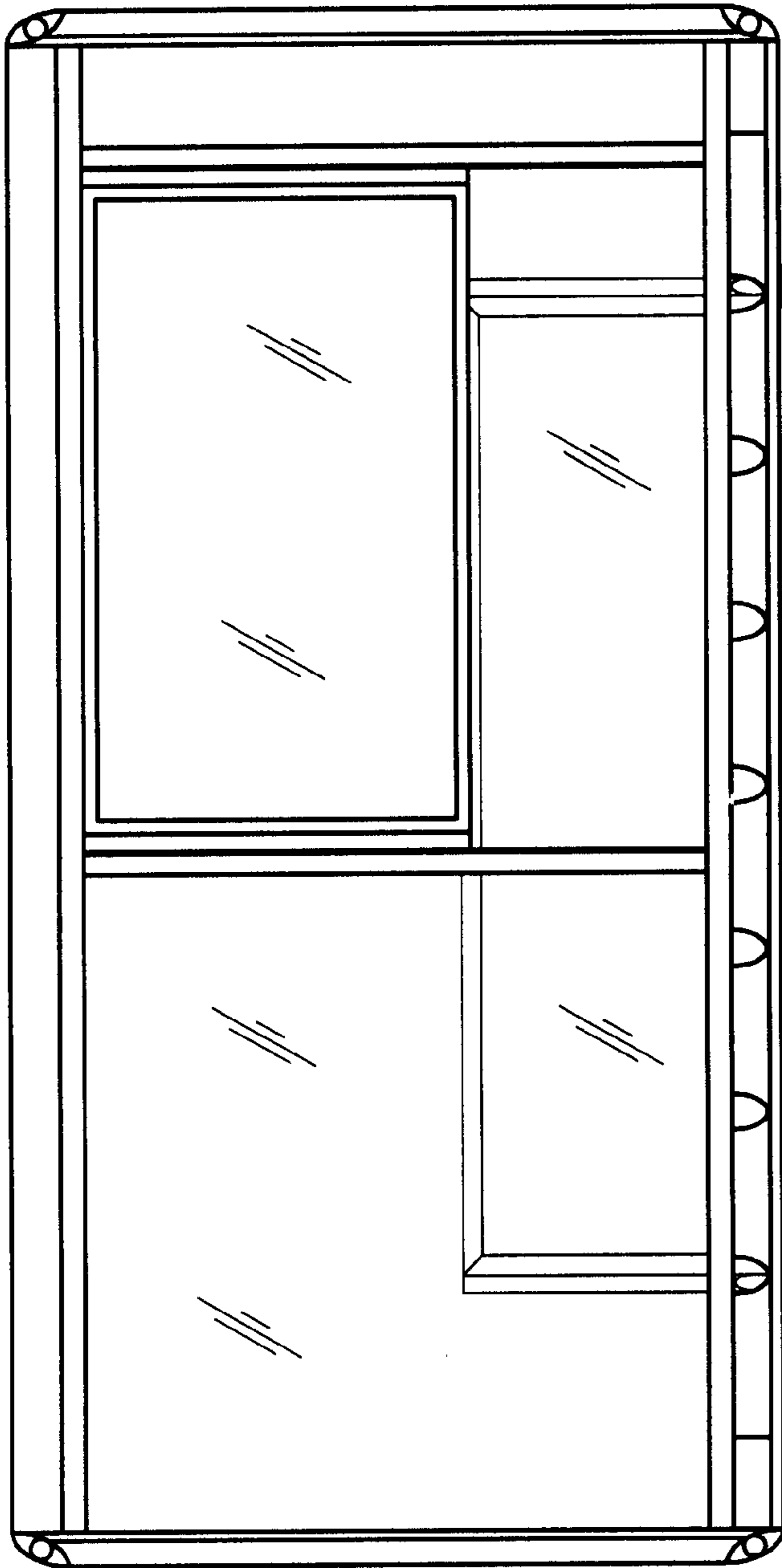


FIG. 7