



US00D477930S

(12) **United States Design Patent**  
**Minus**

(10) **Patent No.:** **US D477,930 S**

(45) **Date of Patent:** **\*\* Aug. 5, 2003**

(54) **HANDS-FREE BOOK STAND**

*Primary Examiner*—Janice E. Seeger

(76) Inventor: **Joseph A. Minus**, 4460 NW. 201st Ter.,  
Carol City, FL (US) 33055-1525

(57) **CLAIM**

(\*\*) Term: **14 Years**

The ornamental design for a hands-free book stand, as shown and described.

(21) Appl. No.: **29/167,213**

**DESCRIPTION**

(22) Filed: **Sep. 11, 2002**

(51) **LOC (7) Cl.** ..... **06-06**

FIG. 1 is a front elevated view of a hands-free book stand showing my new design.

(52) **U.S. Cl.** ..... **D6/419**

FIG. 2 is a back elevated view of the hands-free book stand.

(58) **Field of Search** ..... D6/419, 420, 310-314;  
248/441.1, 448, 454, 457, 460, 461

FIG. 3 is a right side elevated view of the hands-free book stand.

(56) **References Cited**

FIG. 4 is a left side elevated view of the hands-free book stand.

**U.S. PATENT DOCUMENTS**

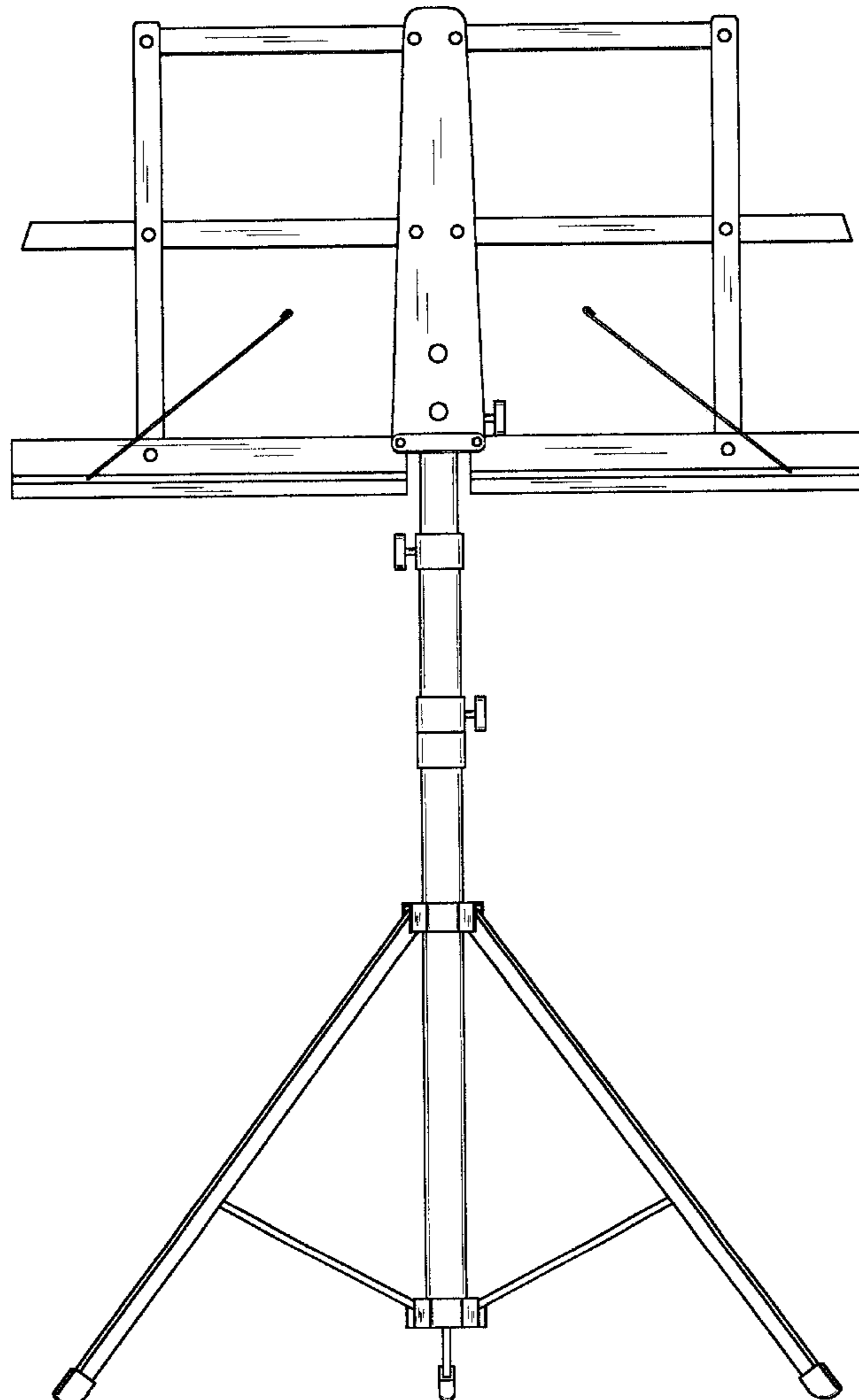
FIG. 5 is a top view of the hands-free book stand; and,

824,596 A *	6/1906	Smith	.....	248/457
D139,445 S *	11/1944	Barger	.....	D6/419
2,901,860 A *	9/1959	Crawford	.....	248/441.1
5,979,856 A *	11/1999	Hsu	.....	248/441.1

FIG. 6 is a bottom view of the hands-free book stand.

\* cited by examiner

**1 Claim, 5 Drawing Sheets**



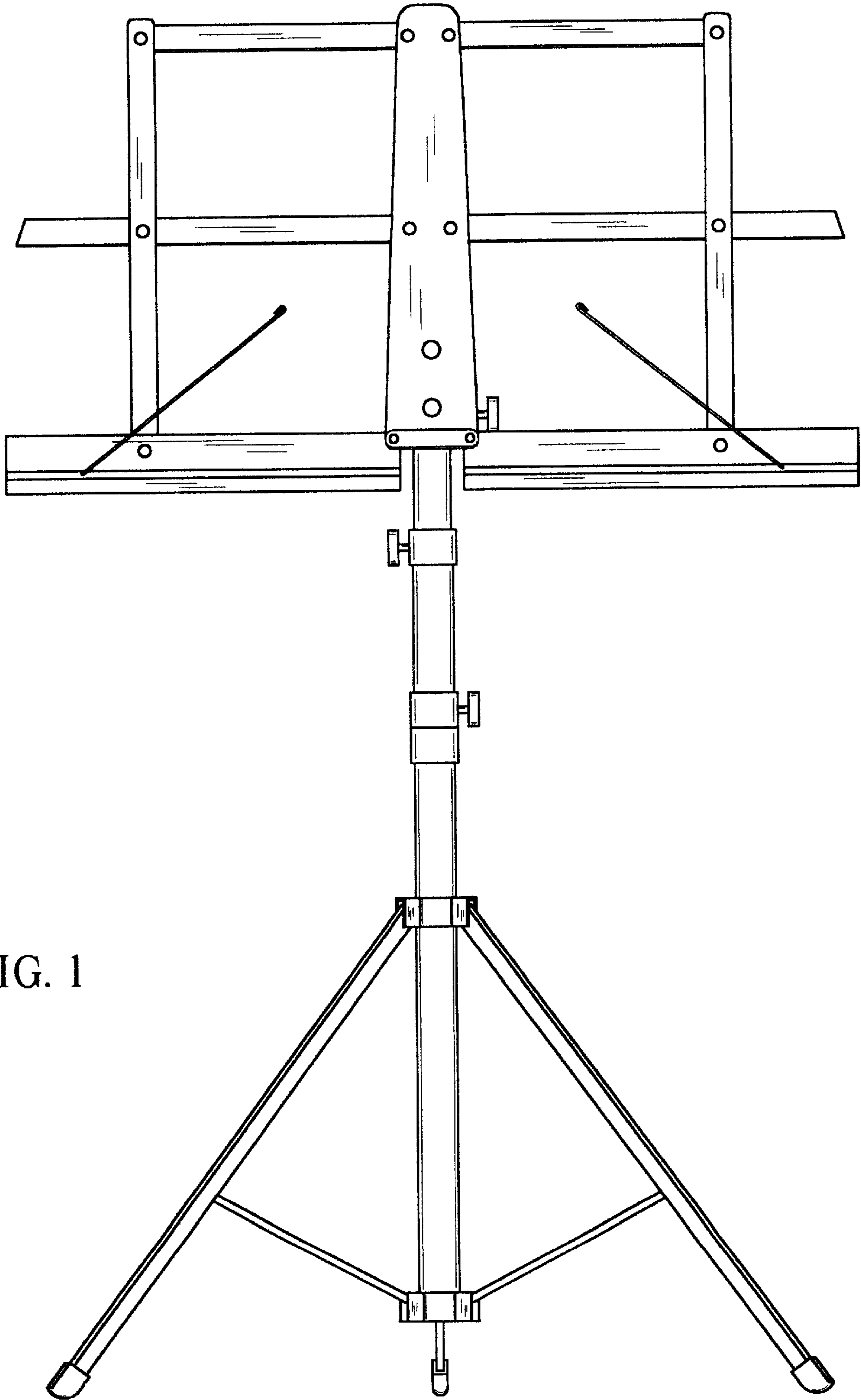


FIG. 1

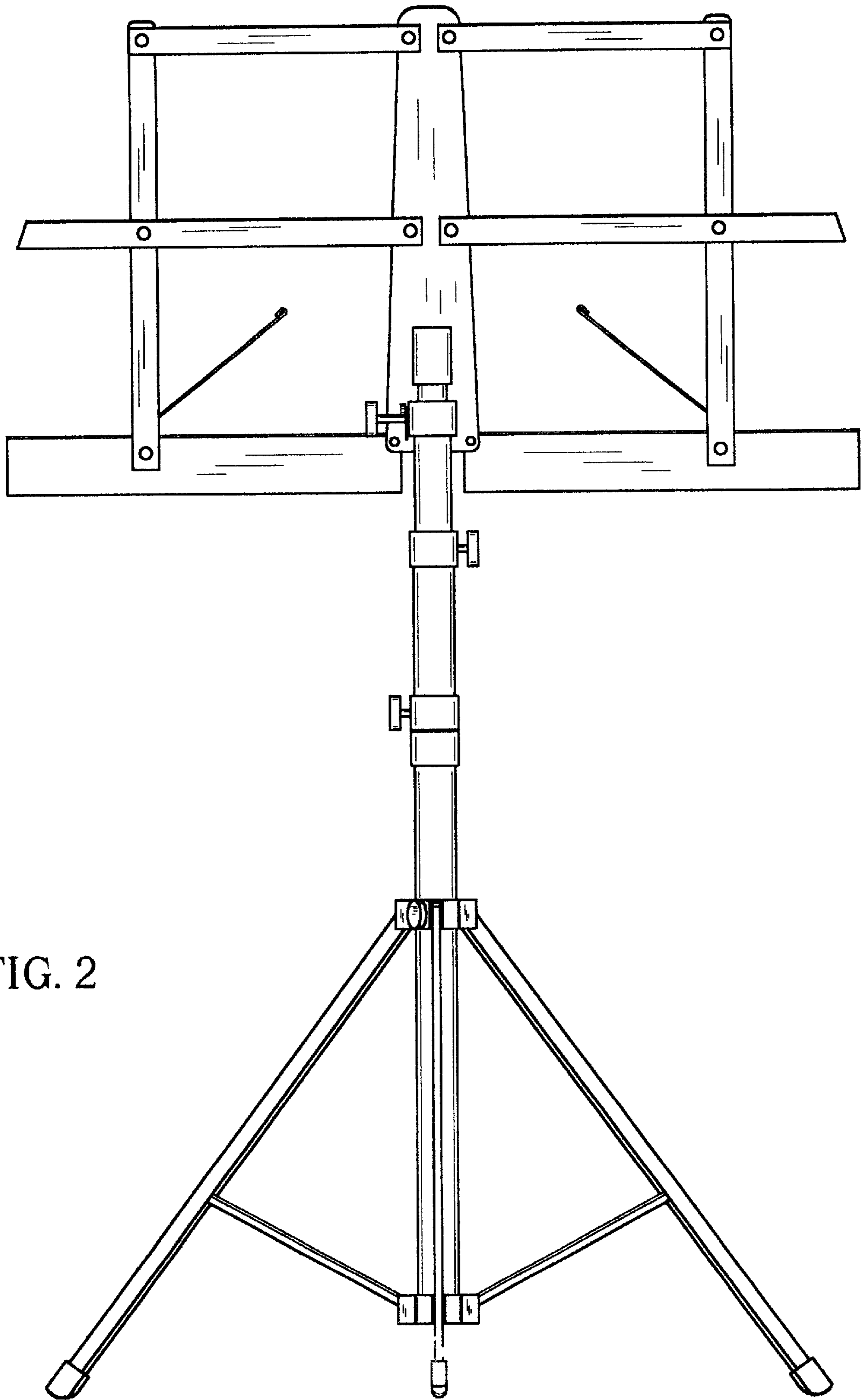
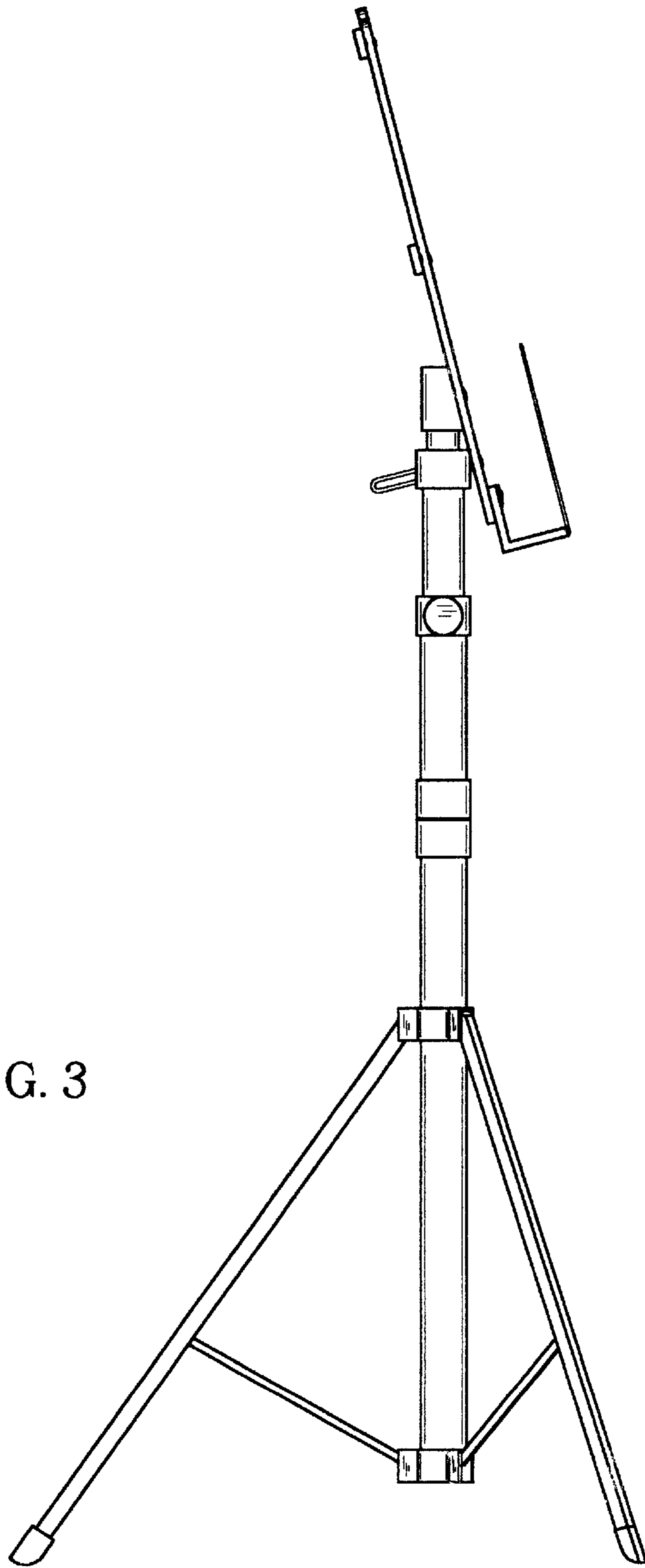


FIG. 2

FIG. 3



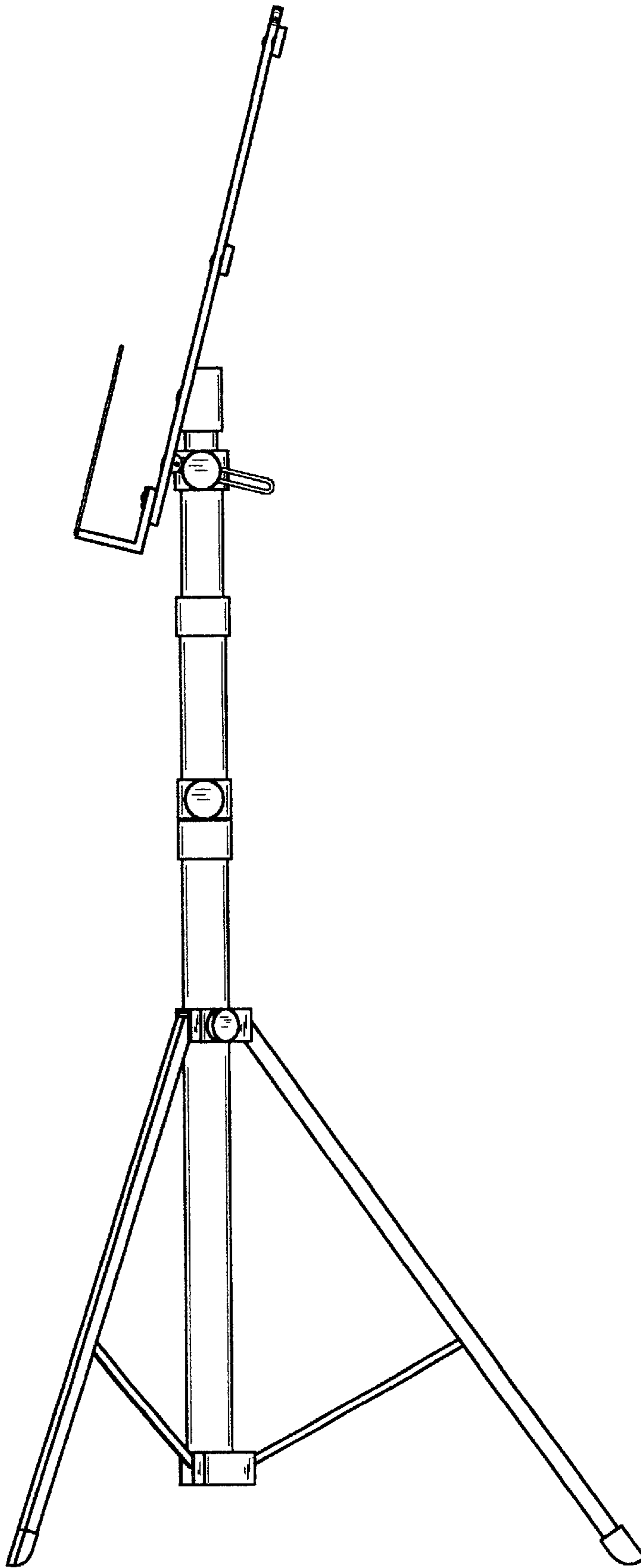


FIG. 4

FIG. 5

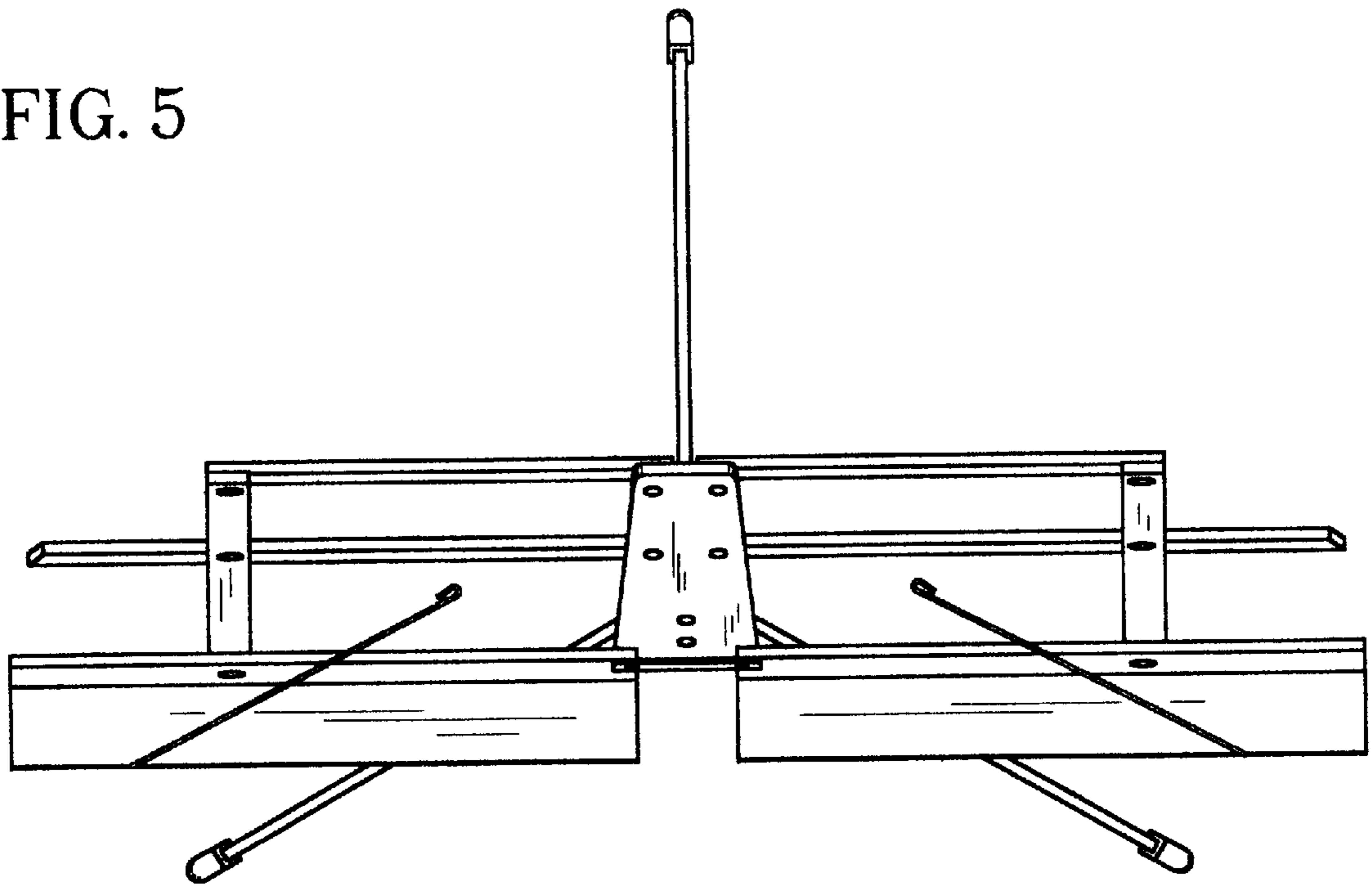


FIG. 6

