



US00D477929S

(12) **United States Design Patent**  
**Draper**

(10) **Patent No.:** **US D477,929 S**

(45) **Date of Patent:** **\*\* Aug. 5, 2003**

(54) **FURNITURE DISPLAY UNIT**

(75) **Inventor:** **William P. Draper**, Perkasio, PA (US)

(73) **Assignee:** **Draper-DBS, Inc.**, Perkasio, PA (US)

(\*\*) **Term:** **14 Years**

(21) **Appl. No.:** **29/134,240**

(22) **Filed:** **Dec. 15, 2000**

(51) **LOC (7) Cl.** ..... **06-04**

(52) **U.S. Cl.** ..... **D6/397; D6/336; D6/396;**  
**D6/436; D6/460**

(58) **Field of Search** ..... **D6/396, 397, 436;**  
**312/107, 111, 198, 237**

(56) **References Cited**

**U.S. PATENT DOCUMENTS**

- D287,682 S \* 1/1987 Sussman ..... D6/524
- D296,850 S \* 7/1988 Pamio ..... D6/397
- D300,887 S \* 5/1989 Evans ..... D6/436

- D375,211 S \* 11/1996 Mizzi ..... D6/397
- 5,943,828 A \* 8/1999 Samborn et al. .... 312/237
- D445,594 S \* 7/2001 McClintock et al. .... D6/397

\* cited by examiner

*Primary Examiner*—Cathron C. Brooks

(74) *Attorney, Agent, or Firm*—Grimes & Battersby, LLP

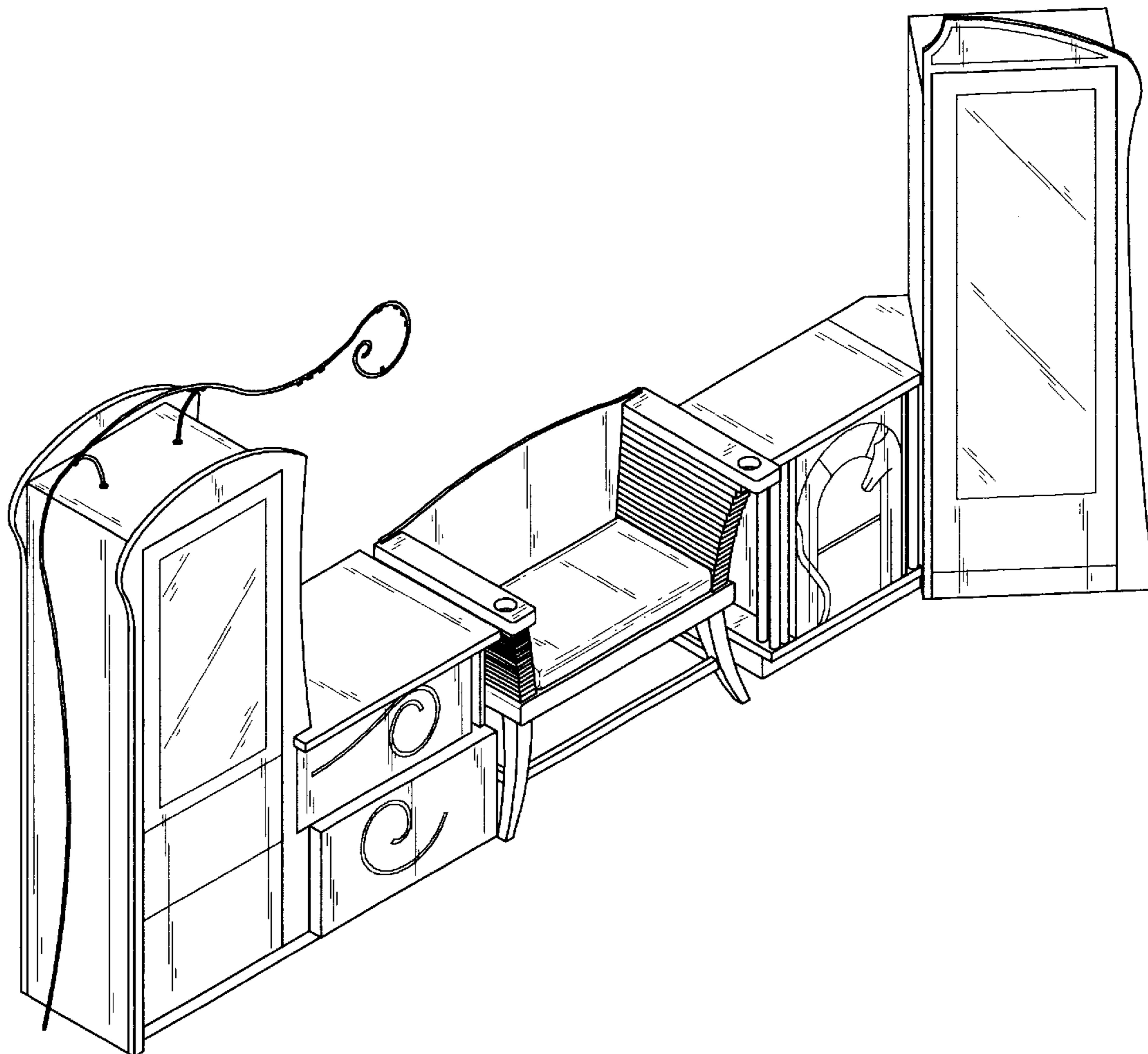
(57) **CLAIM**

The ornamental design for a furniture display unit, as shown.

**DESCRIPTION**

- FIG. 1 is a front left perspective view of the furniture display unit;
- FIG. 2 is a front right perspective view thereof;
- FIG. 3 is a front elevational view thereof;
- FIG. 4 is a top plan view thereof;
- FIG. 5 is a left end elevational view thereof; and,
- FIG. 6 is a right end elevational view thereof.

**1 Claim, 5 Drawing Sheets**



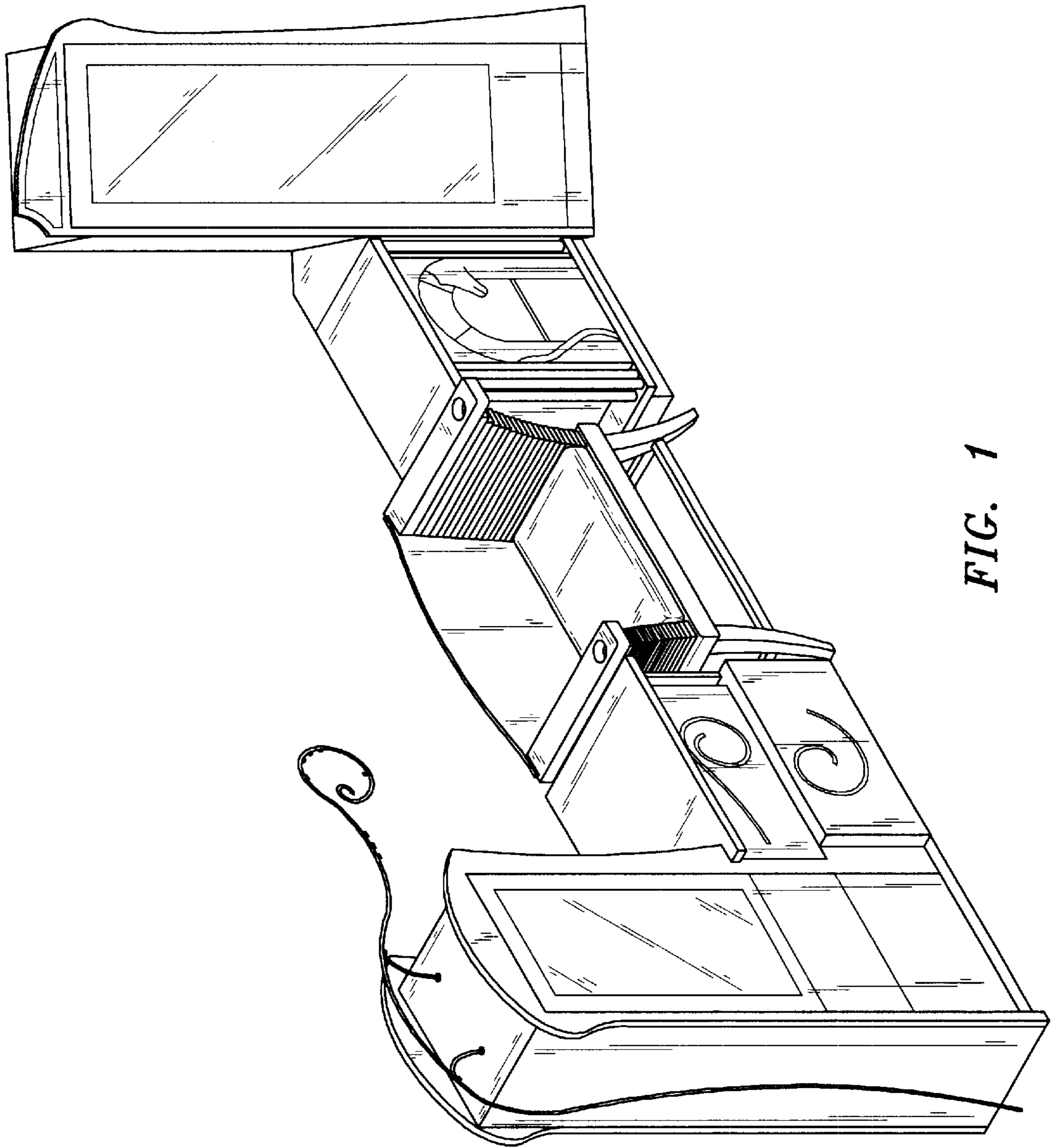


FIG. 1

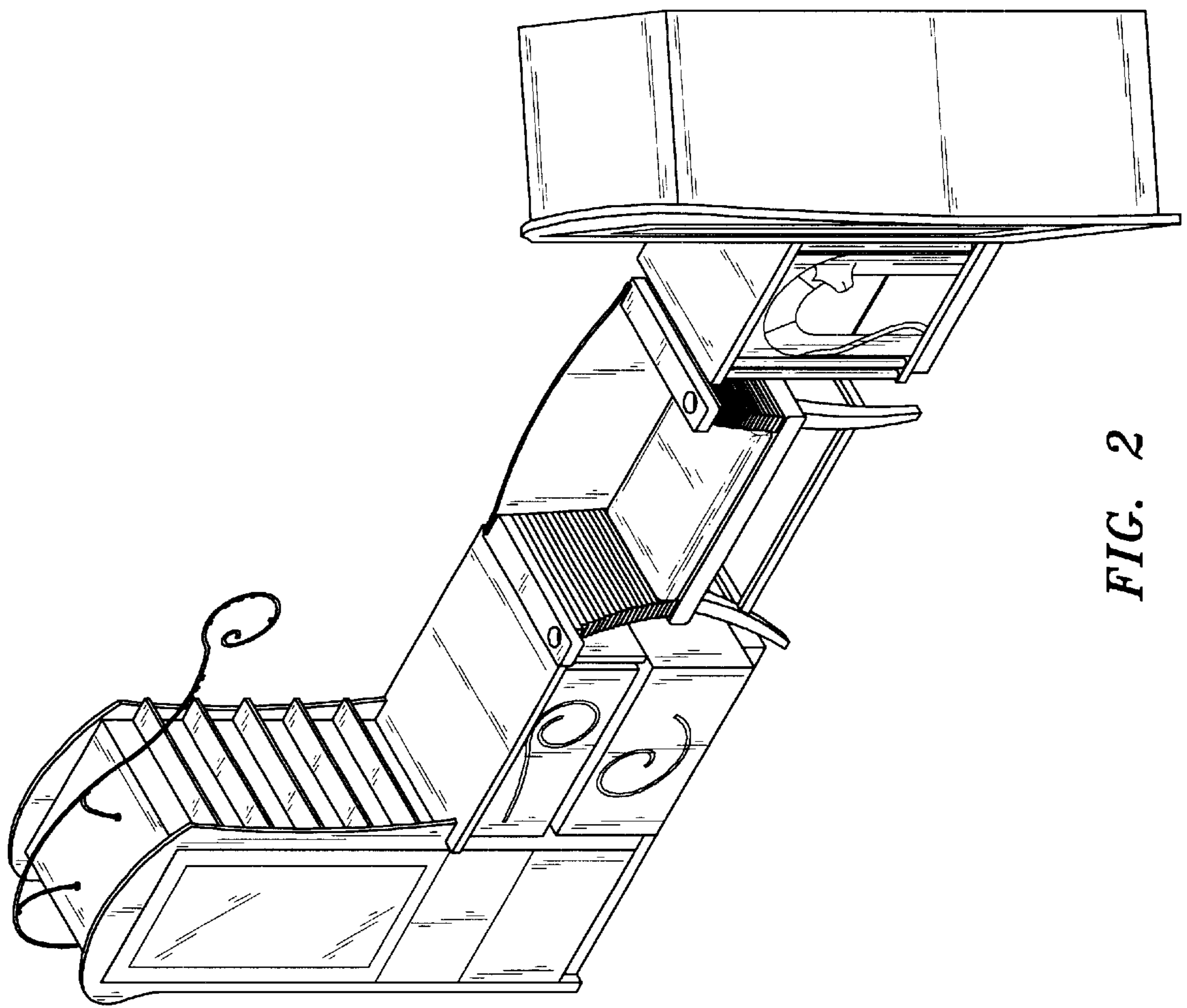


FIG. 2

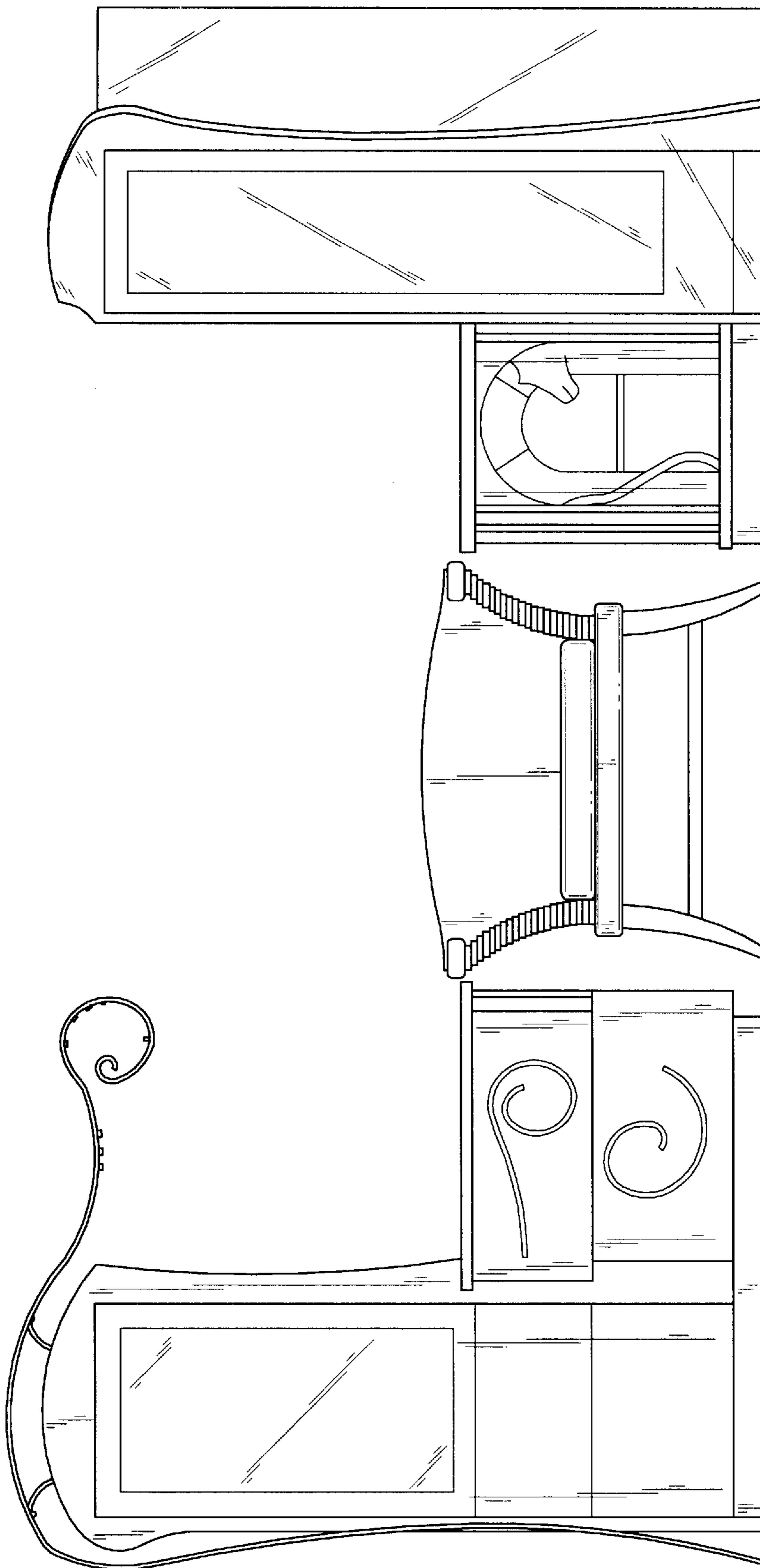


FIG. 3

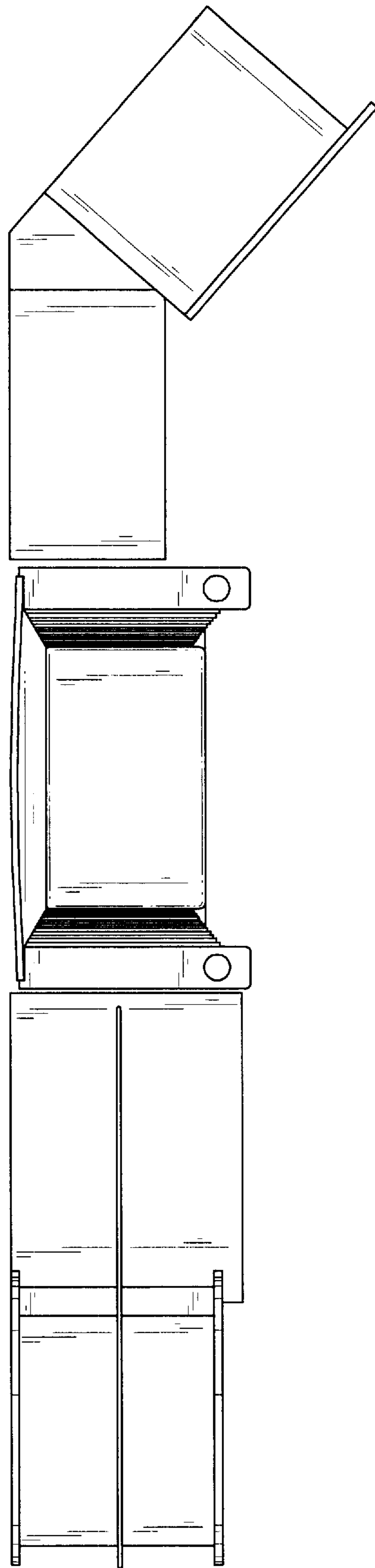


FIG. 4

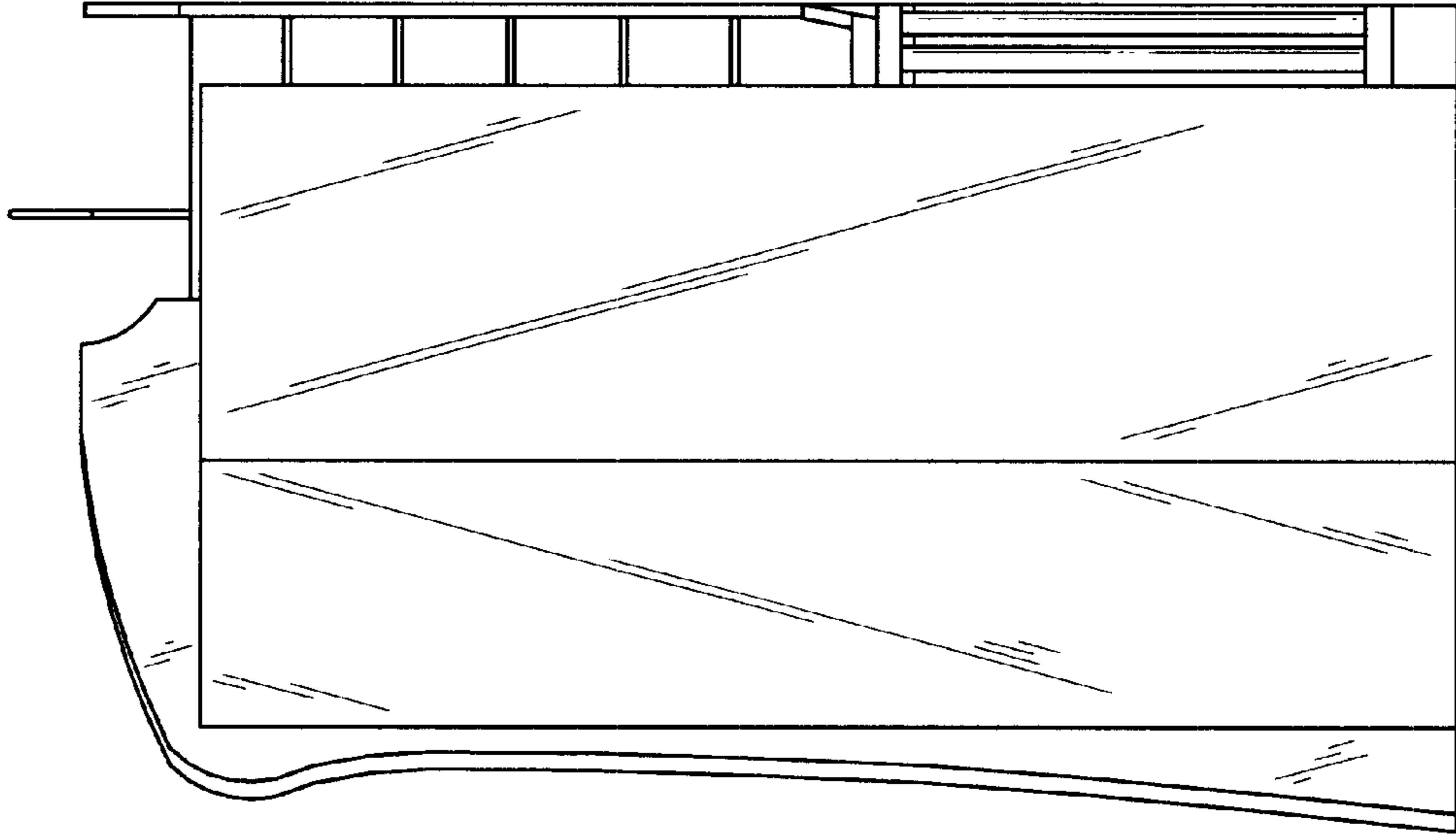


FIG. 6

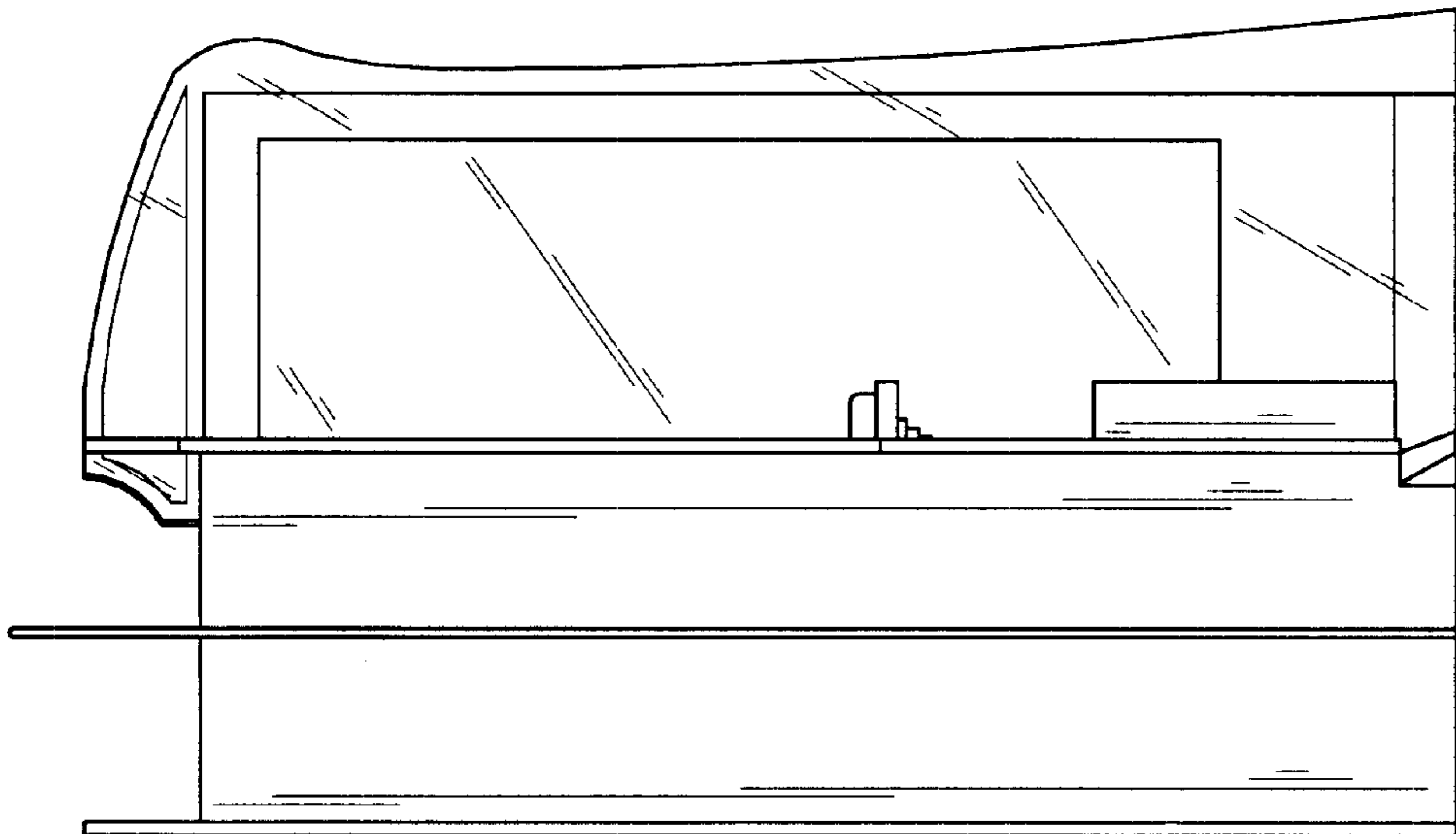


FIG. 5