



US00D477925S

(12) **United States Design Patent**
Lucci et al.

(10) **Patent No.:** **US D477,925 S**

(45) **Date of Patent:** **** Aug. 5, 2003**

(54) **CHAIR**

(75) Inventors: **Roberto Lucci**, Como (IT); **Paolo Orlandini**, Milan (IT)

(73) Assignee: **Ditto Sales, Inc.**, Jasper, IN (US)

(**) Term: **14 Years**

(21) Appl. No.: **29/162,122**

(22) Filed: **Jun. 10, 2002**

Related U.S. Application Data

(62) Division of application No. 29/131,598, filed on Oct. 25, 2000, now Pat. No. Des. 462,535.

(51) **LOC (7) Cl.** **06-01**

(52) **U.S. Cl.** **D6/366**

(58) **Field of Search** D6/334, 364, 365,
D6/366, 367, 500, 501, 502; 297/411.2,
411.28

(56) **References Cited**

U.S. PATENT DOCUMENTS

D243,572 S	*	3/1977	Offredi	D6/373
D246,813 S		1/1978	Tolleson		
4,744,603 A		5/1988	Knoblock		
5,076,646 A		12/1991	Matte		
D328,984 S	*	9/1992	Marini	D6/373
D333,044 S	*	2/1993	Caruso	D6/373
D346,072 S	*	4/1994	Zapf	D6/366
5,314,240 A		5/1994	Ishi et al.		
D347,740 S	*	6/1994	Locher	D6/366
5,338,099 A		8/1994	Ishi et al.		
D365,453 S	*	12/1995	Newhouse	D6/366

D367,185 S	*	2/1996	Olson	D6/373
D374,129 S	*	10/1996	Timmons	D6/373
5,580,127 A		12/1996	Piretti		
D390,024 S		2/1998	DeJule		
D411,928 S	*	7/1999	Ritch et al.	D6/500
5,924,770 A		7/1999	Tarnay et al.		
D417,102 S	*	11/1999	Vanderwood et al.	D6/500
6,003,948 A		12/1999	Holbrook		
D422,805 S	*	4/2000	Smith	D6/373

OTHER PUBLICATIONS

Versteel Chela catalog, p. 4, chair at top right.*
Versteel Chela catalog, p. 4. Chairs shown.*
J.C. Penney "Big Look Catalog," Winter 2000, p. 959, USA.
Teknion, Internet product information, Teknion dharma,
http://www.teknion.com/products/features/fb_dharma_g.asp,
undated.

* cited by examiner

Primary Examiner—Gary D. Watson
(74) *Attorney, Agent, or Firm*—Leagre Chandler & Millard
LLP

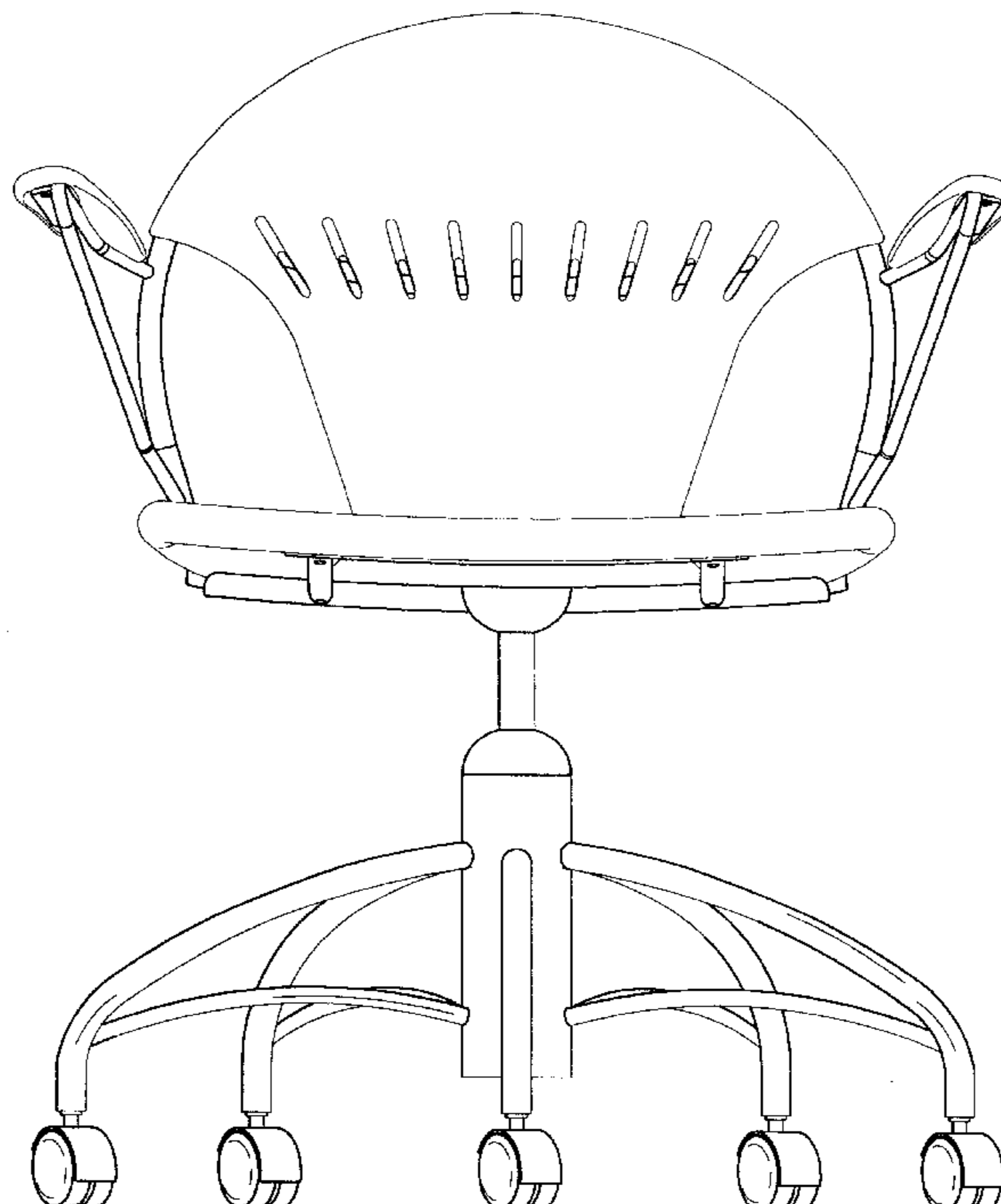
(57) **CLAIM**

The ornamental design for a chair, as shown and described.

DESCRIPTION

FIG. 1 is a front elevational view of a chair showing our new design;
FIG. 2 is a top plan view thereof; and,
FIG. 3 is a perspective view thereof.
The broken lines shown in FIG. 3 are for illustrative purposes only and form no part of the claimed design.

1 Claim, 3 Drawing Sheets



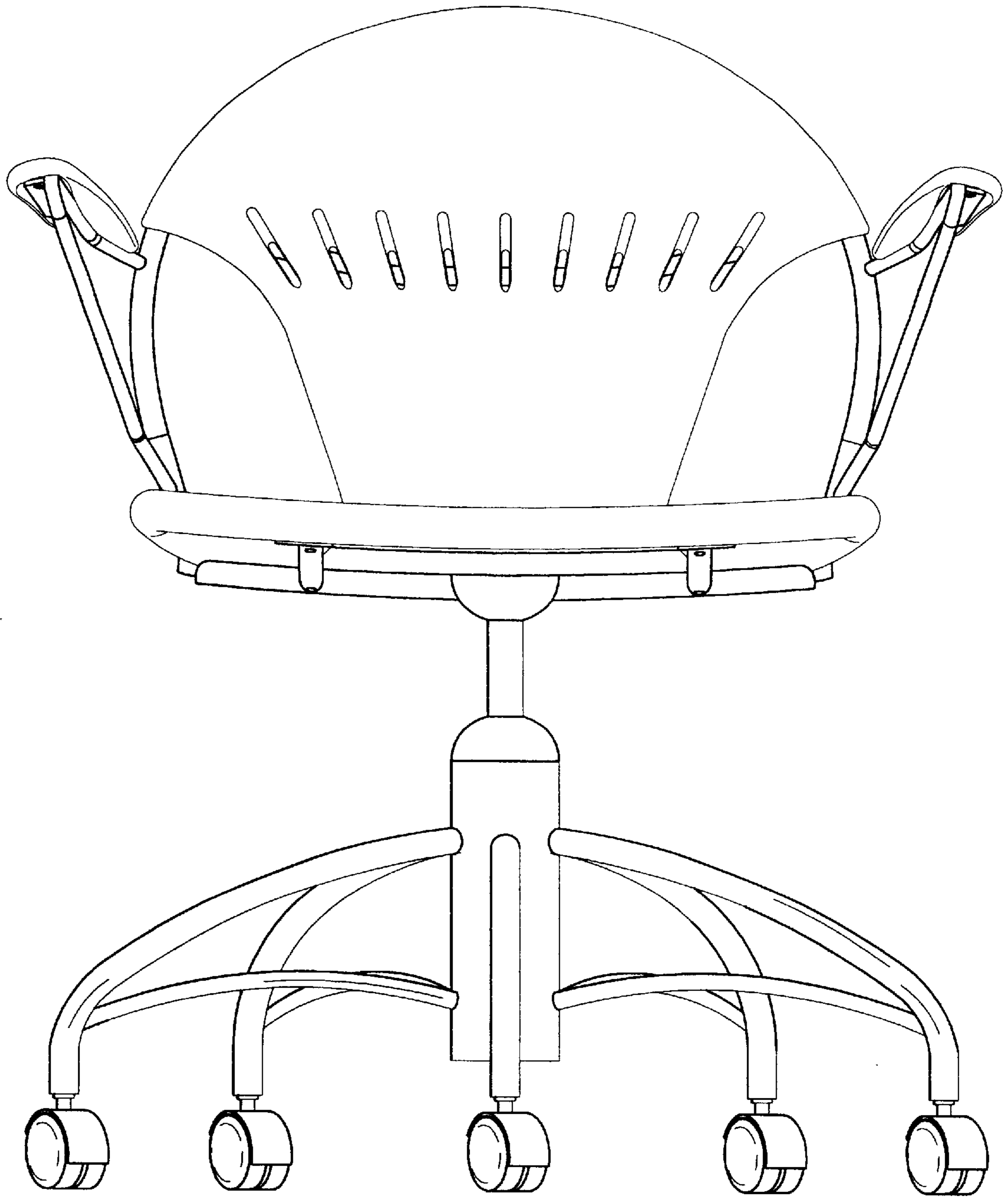


Fig. 1

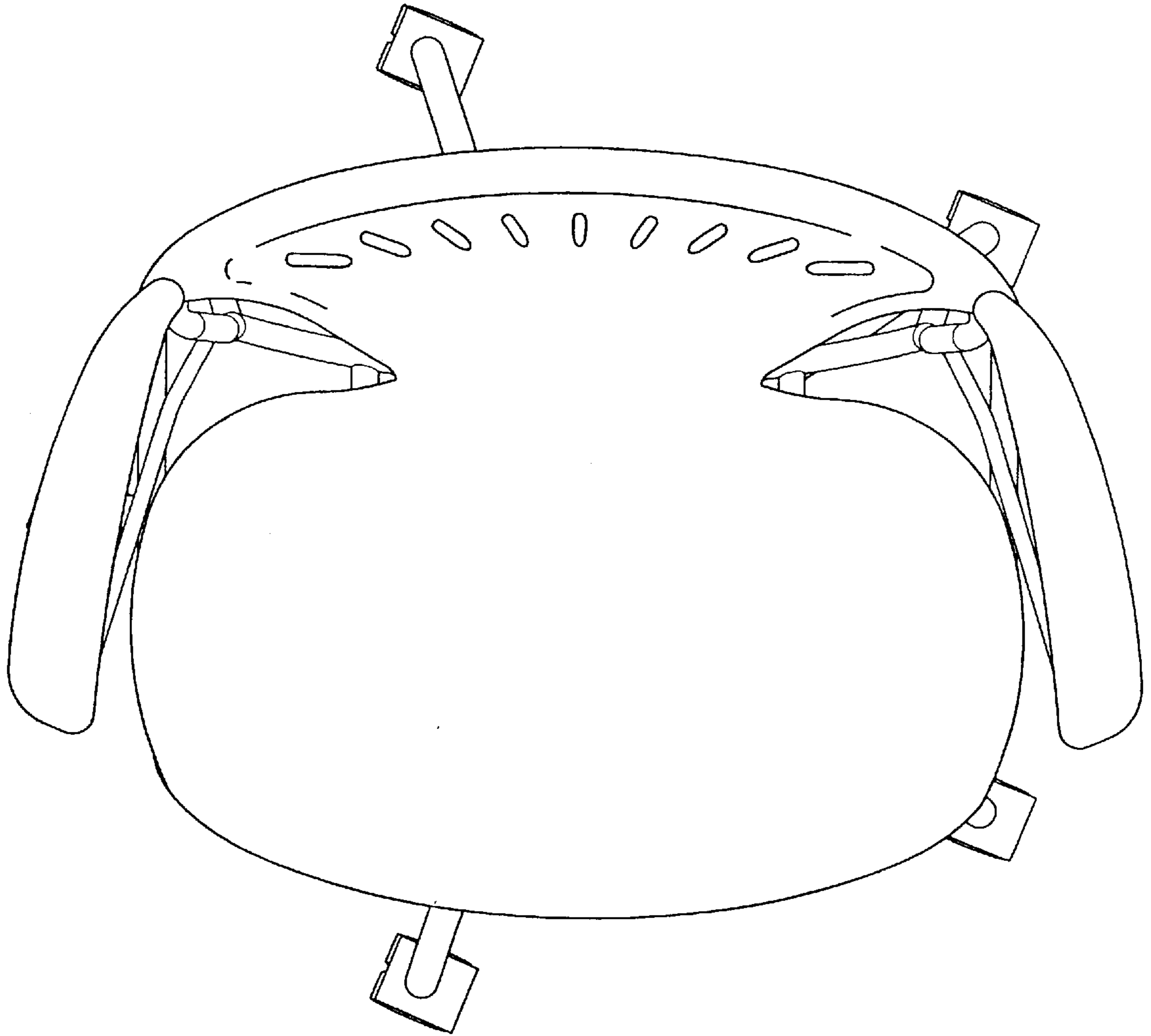


Fig. 2

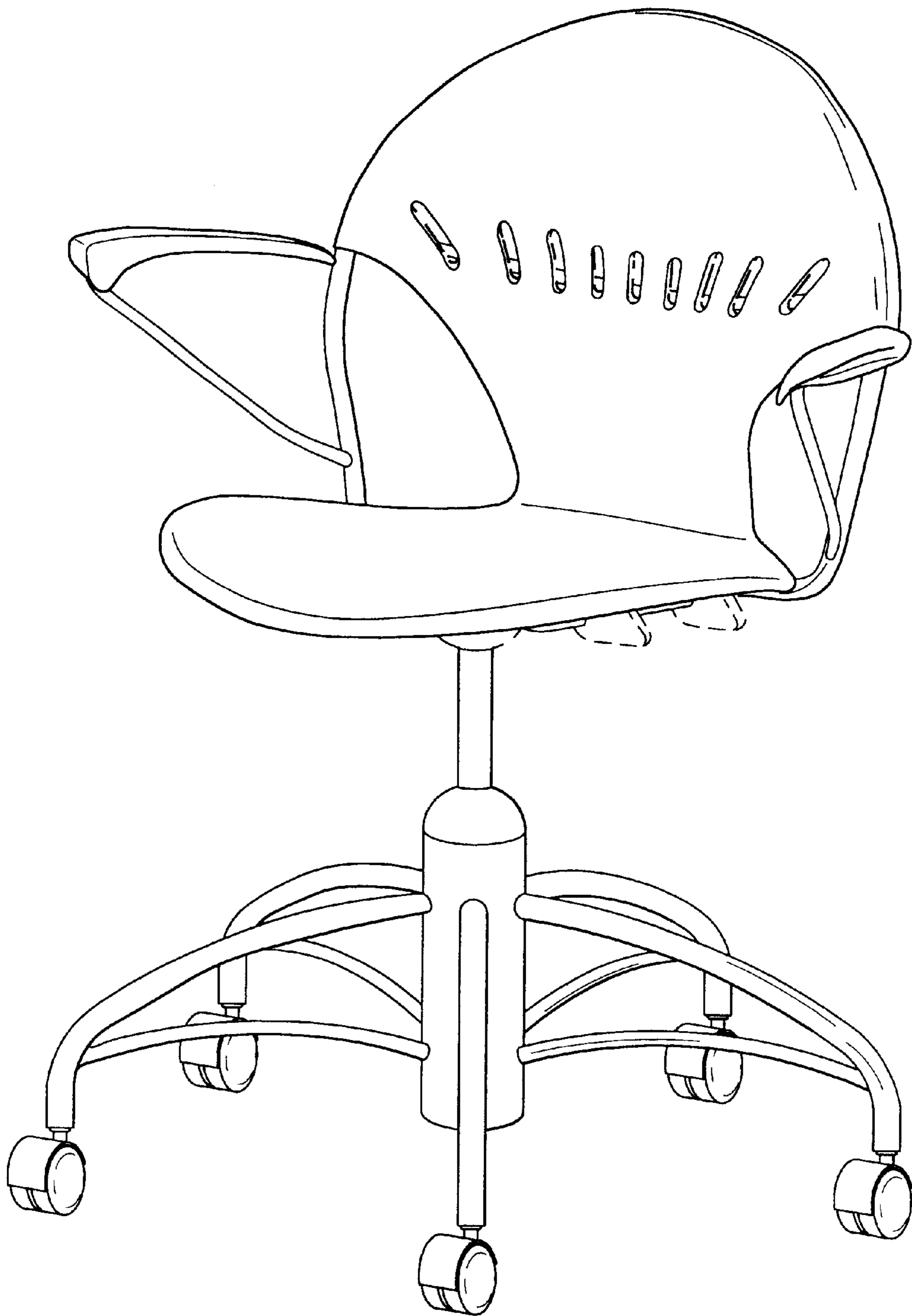


Fig. 3