



US00D477921S

(12) **United States Design Patent**
Bosman et al.

(10) **Patent No.:** **US D477,921 S**

(45) **Date of Patent:** **** Aug. 5, 2003**

(54) **COMBINATION CHAIR AND DESK UNIT**

(75) Inventors: **Scott A. Bosman**, Green Bay, WI (US);
Frederick P. Bohl, Neenah, WI (US)

(73) Assignee: **Krueger International, Inc.**, Green Bay, WI (US)

(**) Term: **14 Years**

(21) Appl. No.: **29/161,057**

(22) Filed: **May 22, 2002**

Related U.S. Application Data

(62) Division of application No. 29/153,589, filed on Jan. 9, 2002, which is a division of application No. 29/131,359, filed on Oct. 19, 2000.

(51) **LOC (7) Cl.** **06-01**

(52) **U.S. Cl.** **D6/338**

(58) **Field of Search** D6/334, 335, 336,
D6/338, 341, 371, 372, 373, 374, 376,
380, 500-502; 297/170-174, 144, 145,
160, 162, 446.2, 451.3

(56) **References Cited**

U.S. PATENT DOCUMENTS

D101,639 S * 10/1936 Larsen D6/341
D149,652 S * 5/1948 Kipp D6/372
D149,982 S 6/1948 Sundberg
2,459,257 A 1/1949 Wood
D175,833 S 10/1955 Gratz
D240,483 S 7/1976 Sklaroff
4,097,089 A 6/1978 Petersen

D249,989 S 10/1978 Radaelli
4,159,846 A * 7/1979 Tolleson 297/162
D271,448 S 11/1983 Crockett
D307,837 S 5/1990 Grant
5,626,394 A 5/1997 Perry
6,039,392 A * 3/2000 Dencker 297/172

OTHER PUBLICATIONS

Publication, Casala-Werke GmbH, Lauenau, Germany, 1 page, undated.

C-Form Brochure, undated.

* cited by examiner

Primary Examiner—Doris V. Coles

Assistant Examiner—Mimosa De

(74) *Attorney, Agent, or Firm*—Boyle, Fredrickson, Newholm, Stein & Gratz, S.C.

(57) **CLAIM**

The ornamental design for a combination chair and desk unit, as shown and described.

DESCRIPTION

FIG. 1 is an isometric view of a chair and desk unit incorporating our new design;

FIG. 2 is a front elevation view thereof;

FIG. 3 is a rear elevation view thereof;

FIG. 4 is a left side elevation view thereof;

FIG. 5 is a right side elevation view thereof;

FIG. 6 is a top plan view thereof; and,

FIG. 7 is a bottom plan view thereof.

The broken lines shown in the drawing are for illustrative purposes only and form no part of the claimed design.

1 Claim, 4 Drawing Sheets

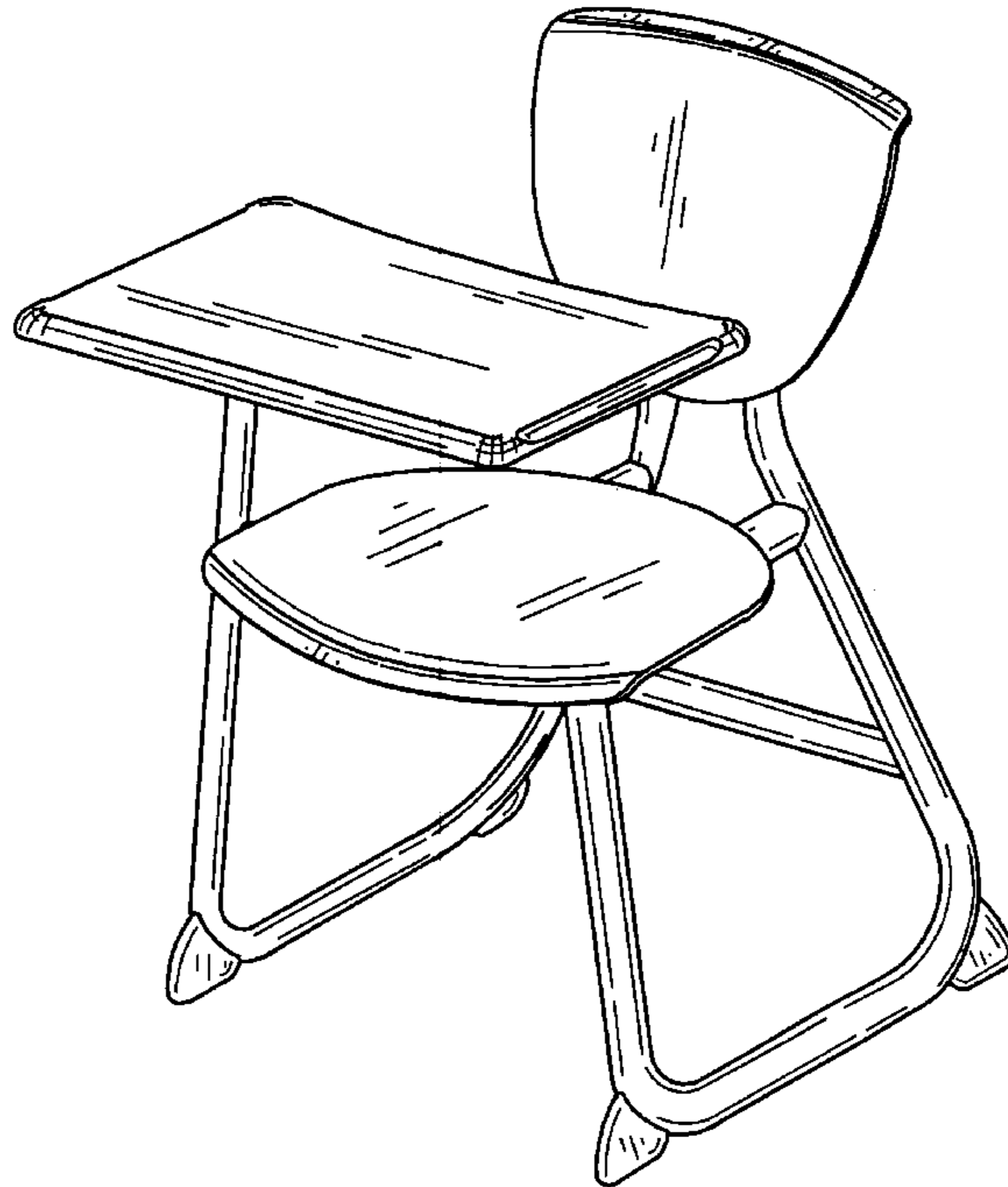


FIG. 1

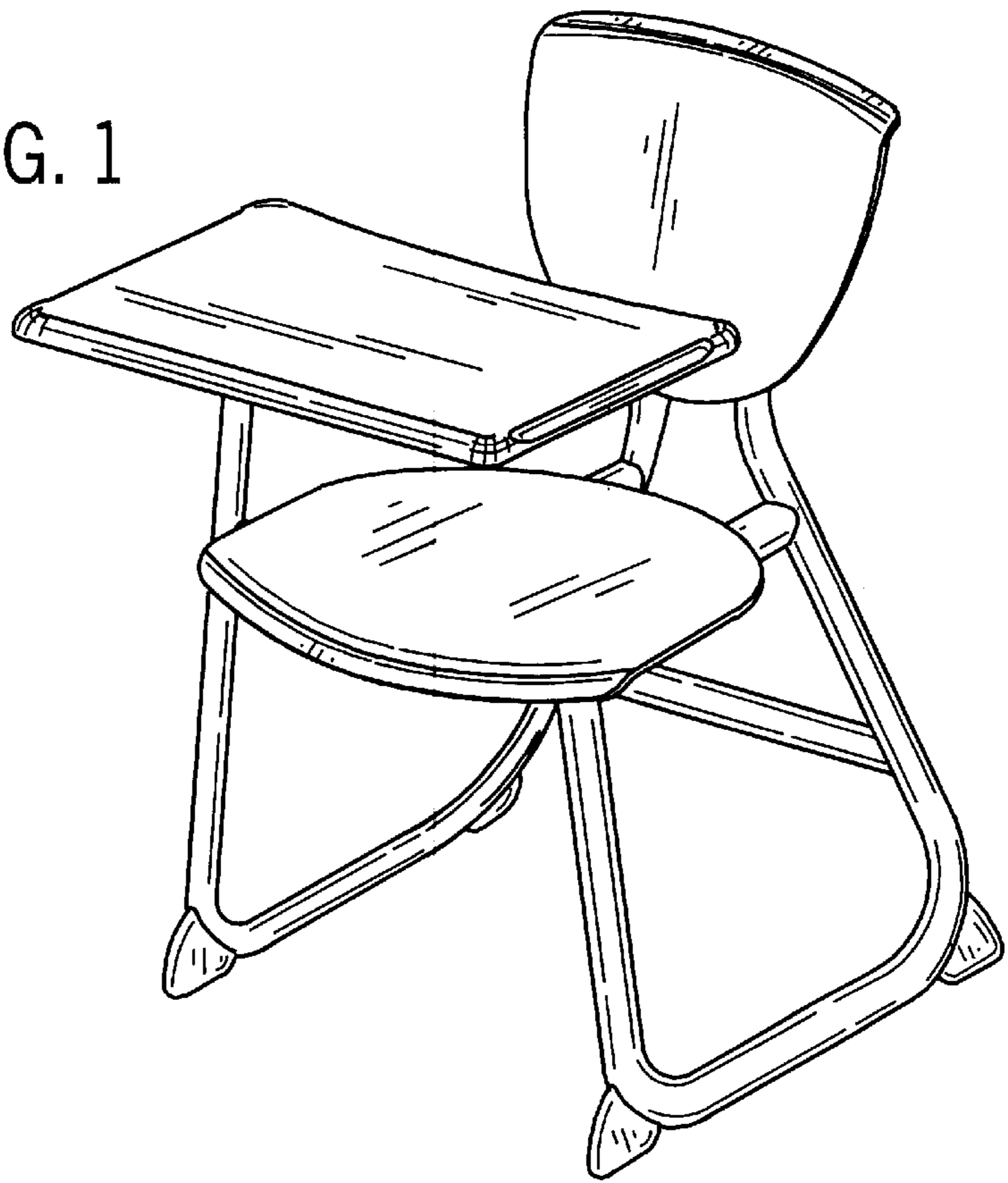
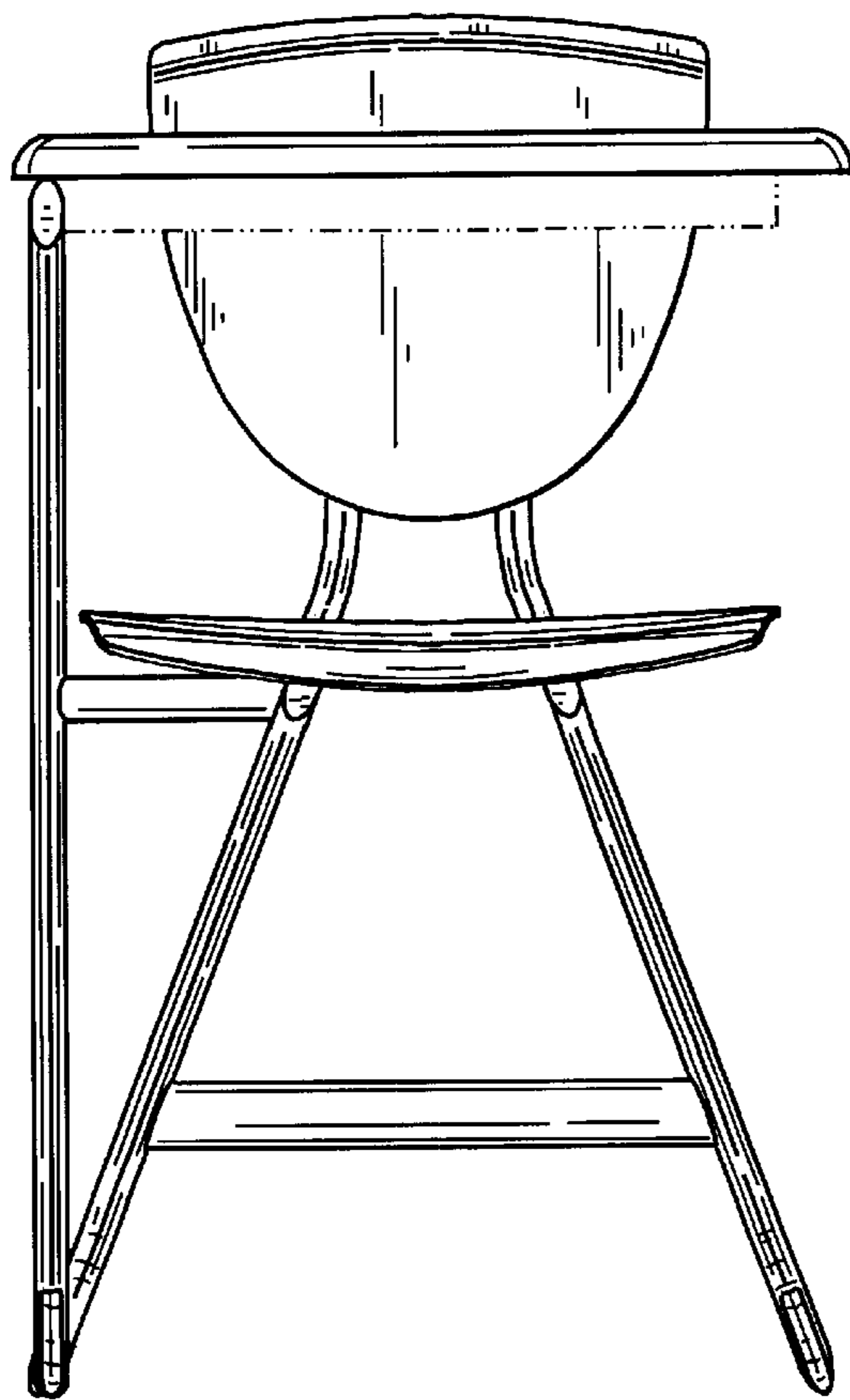


FIG. 2



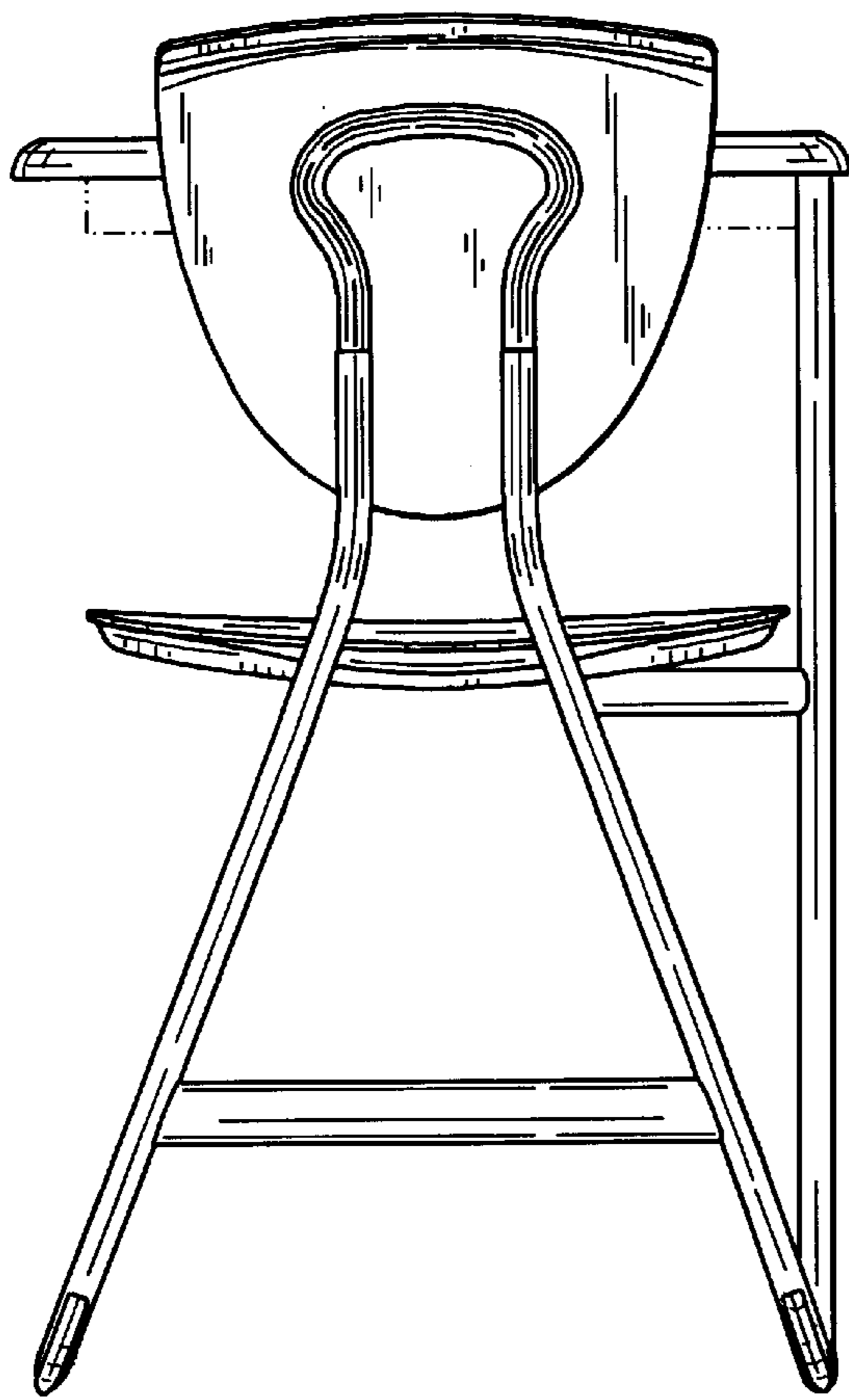


FIG. 3

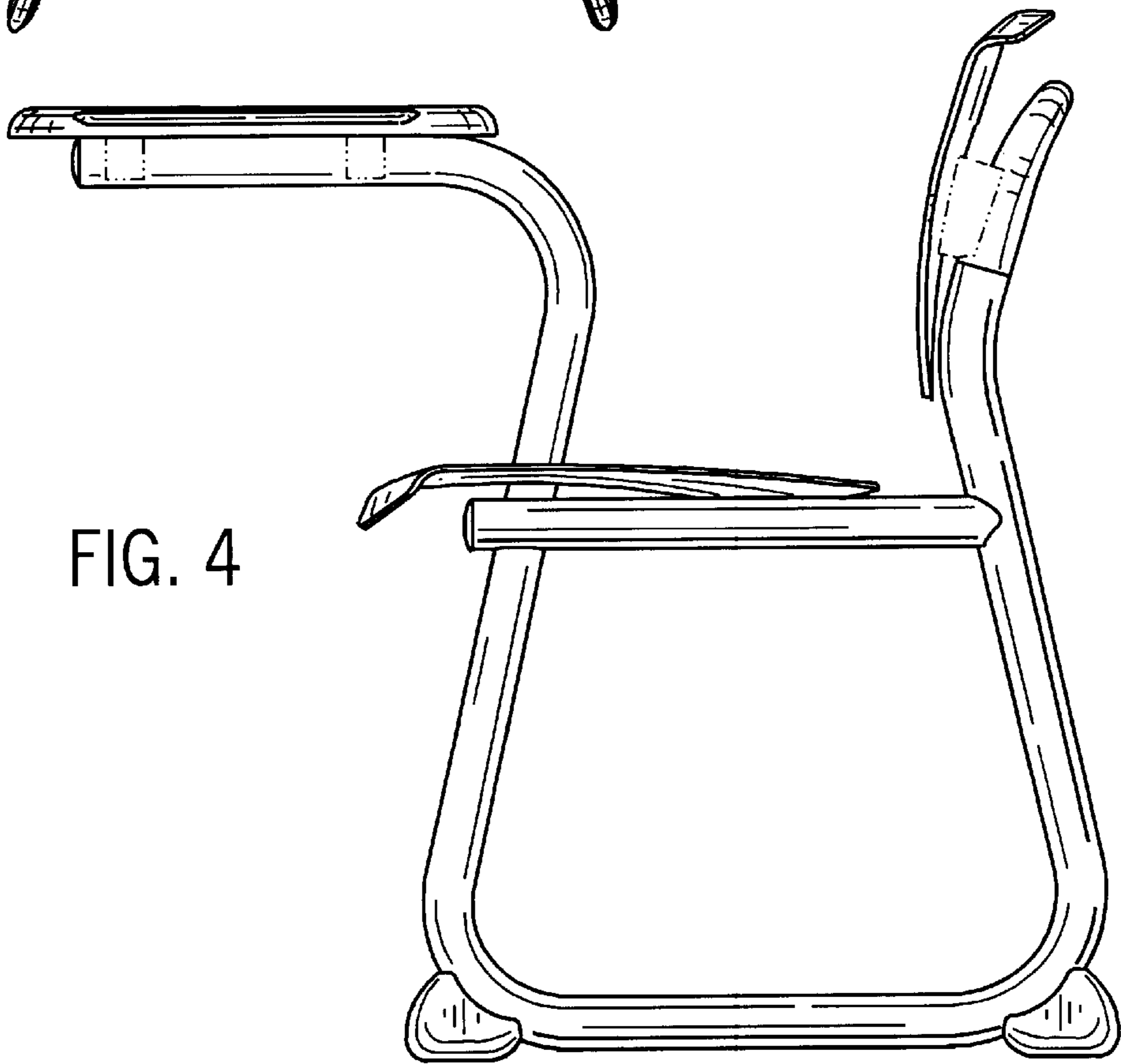


FIG. 4

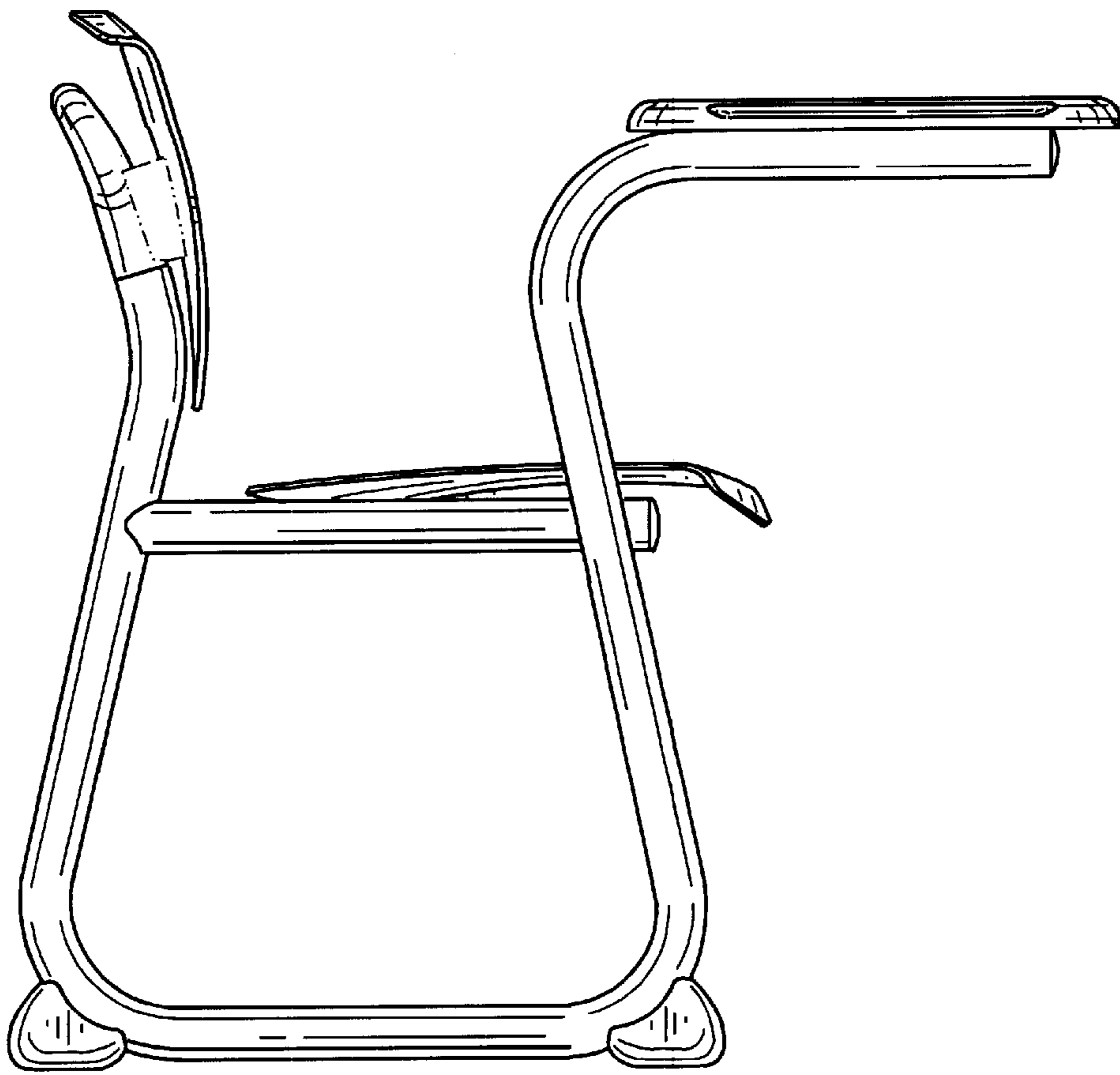
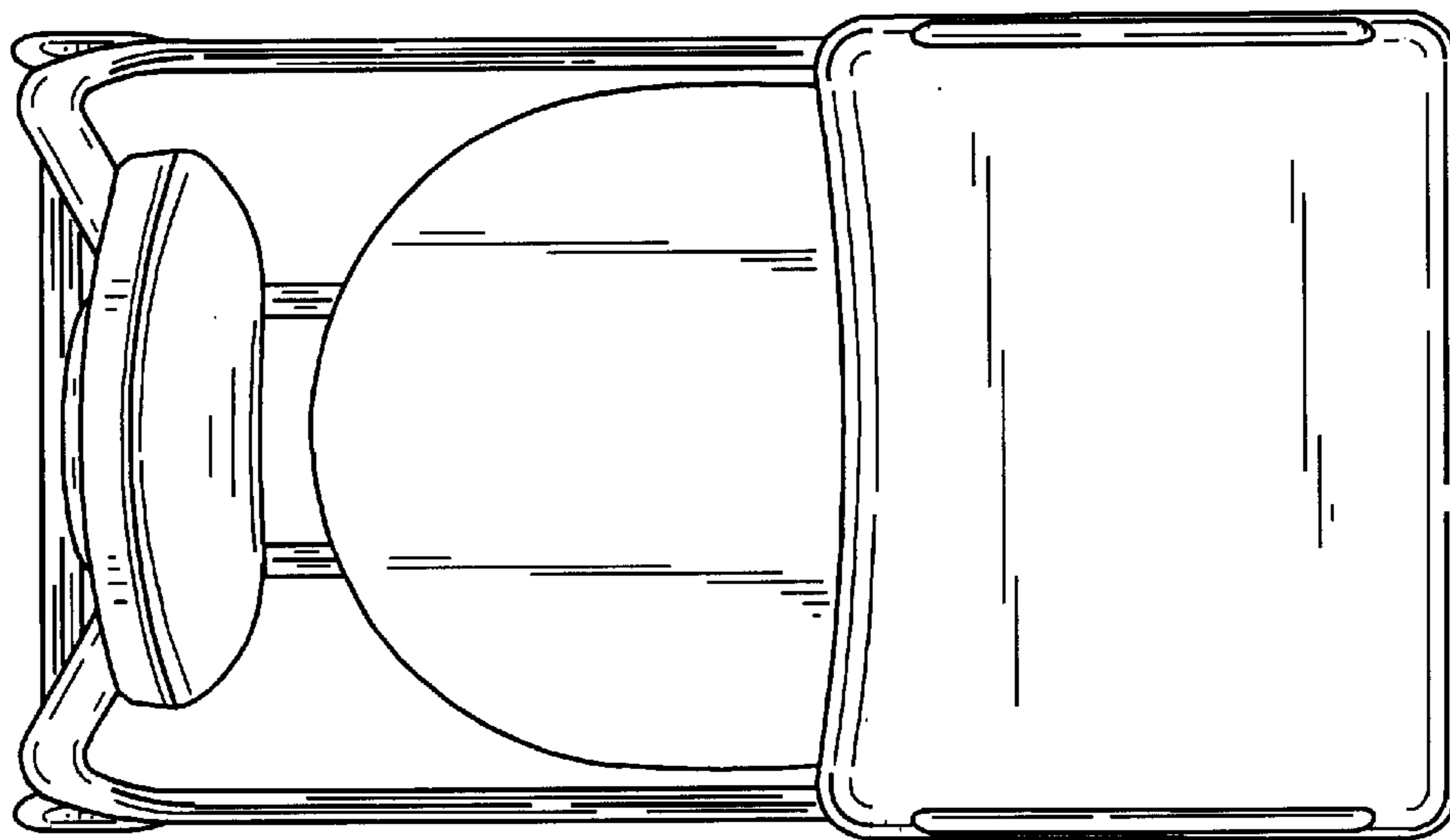


FIG. 5

FIG. 6



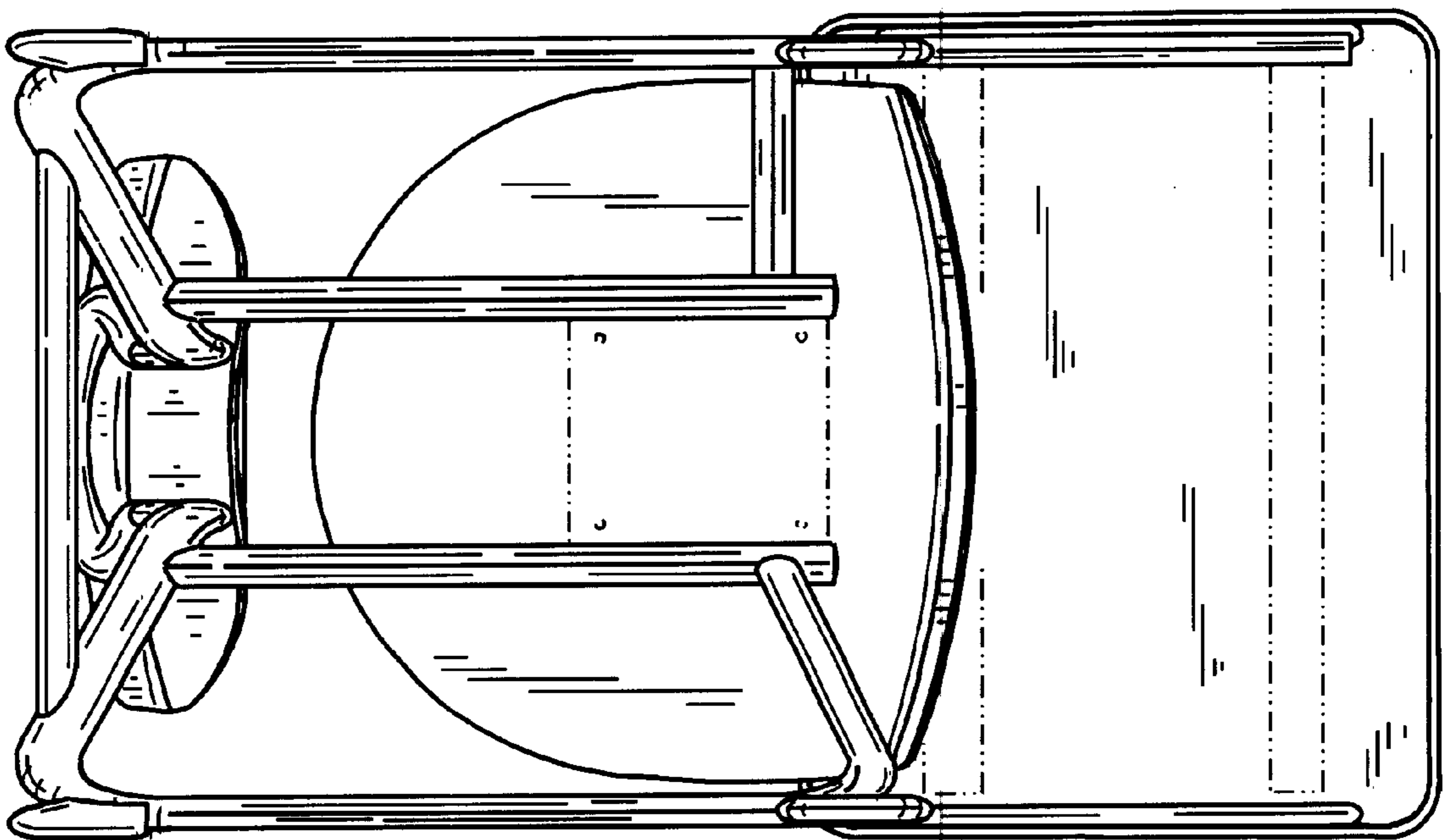


FIG. 7