



US00D477917S

(12) **United States Design Patent**  
**Giacolo et al.**

(10) **Patent No.:** **US D477,917 S**

(45) **Date of Patent:** **\*\* Aug. 5, 2003**

(54) **DISH SCRUBBER**

6,210,068 B1 \* 4/2001 White et al. .... 401/279

(75) Inventors: **Robert Giacolo**, Woodridge, IL (US);  
**Robert Kleckauskas**, St. Charles, IL (US);  
**Bruce Ronner**, Glencoe, IL (US);  
**John Coursey**, Chicago, IL (US)

**FOREIGN PATENT DOCUMENTS**

GB 2 232 075 12/1990

**OTHER PUBLICATIONS**

(73) Assignee: **Arrow Plastic Manufacturing Co.**, Elk Grove, IL (US)

Home Trends, "Mr. Scrubby" cleaning brush—Item No. L024, p. 63, © 1996.

(\*\*) Term: **14 Years**

\* cited by examiner

(21) Appl. No.: **29/168,338**

*Primary Examiner*—Alan P. Douglas

*Assistant Examiner*—Lavone D. Tabor

(22) Filed: **Sep. 30, 2002**

(74) *Attorney, Agent, or Firm*—Wood, Philips, Katz, Clark & Mortimer

(51) **LOC (7) Cl.** ..... **04-01**

(57) **CLAIM**

(52) **U.S. Cl.** ..... **D4/114**

The ornamental design for a dish scrubber, substantially as shown and described.

(58) **Field of Search** ..... D4/100, 102, 114,  
D4/121, 127, 130; 401/6, 137, 145, 146,  
188 R, 189, 192, 268, 270, 278–280, 282,  
286, 291

**DESCRIPTION**

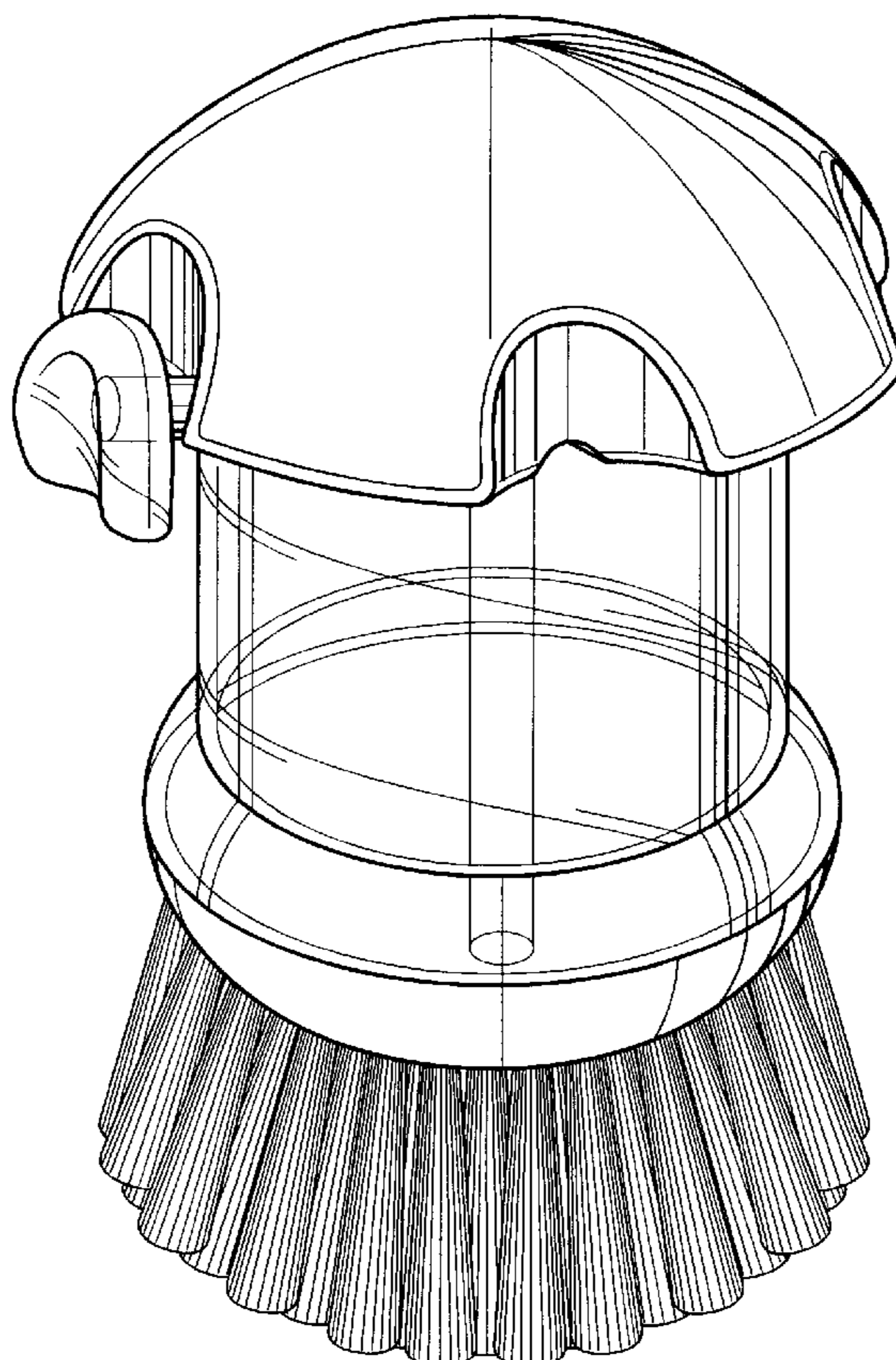
(56) **References Cited**

**U.S. PATENT DOCUMENTS**

D201,428 S	6/1965	Kellis
4,826,340 A	5/1989	Rothweiler et al.
D307,216 S	4/1990	Yuen
D326,778 S	6/1992	Vetter
D438,013 S	2/2001	Hay

FIG. 1 is a front perspective view showing the design of the present dish scrubber;  
FIG. 2 is a side elevational view thereof;  
FIG. 3 is a front elevational view thereof;  
FIG. 4 is an elevational view of the opposite side of FIG. 2;  
FIG. 5 is a top plan view thereof; and,  
FIG. 6 is a bottom plan view thereof.

**1 Claim, 2 Drawing Sheets**



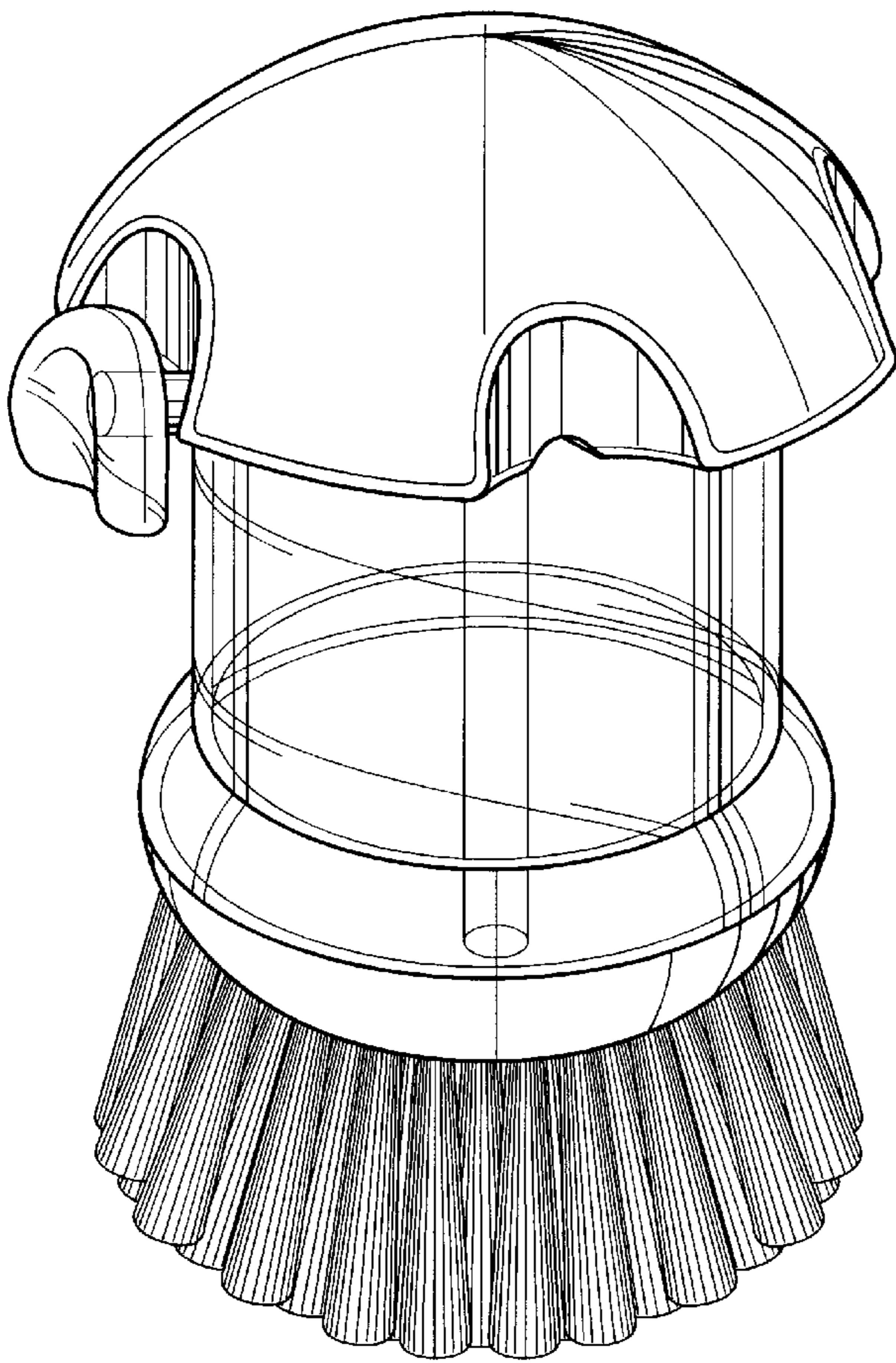


Fig. 1

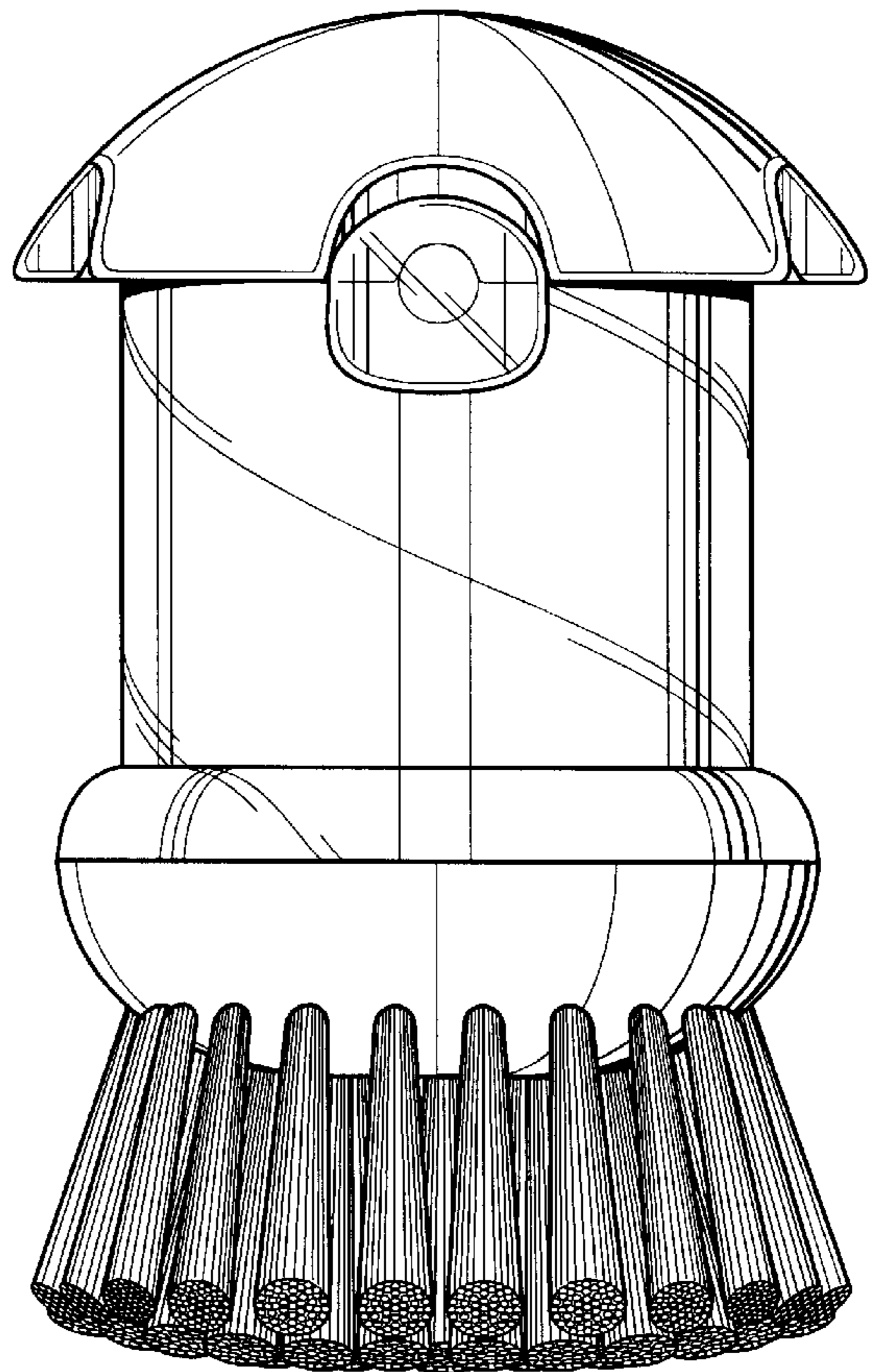


Fig. 2

Fig. 3

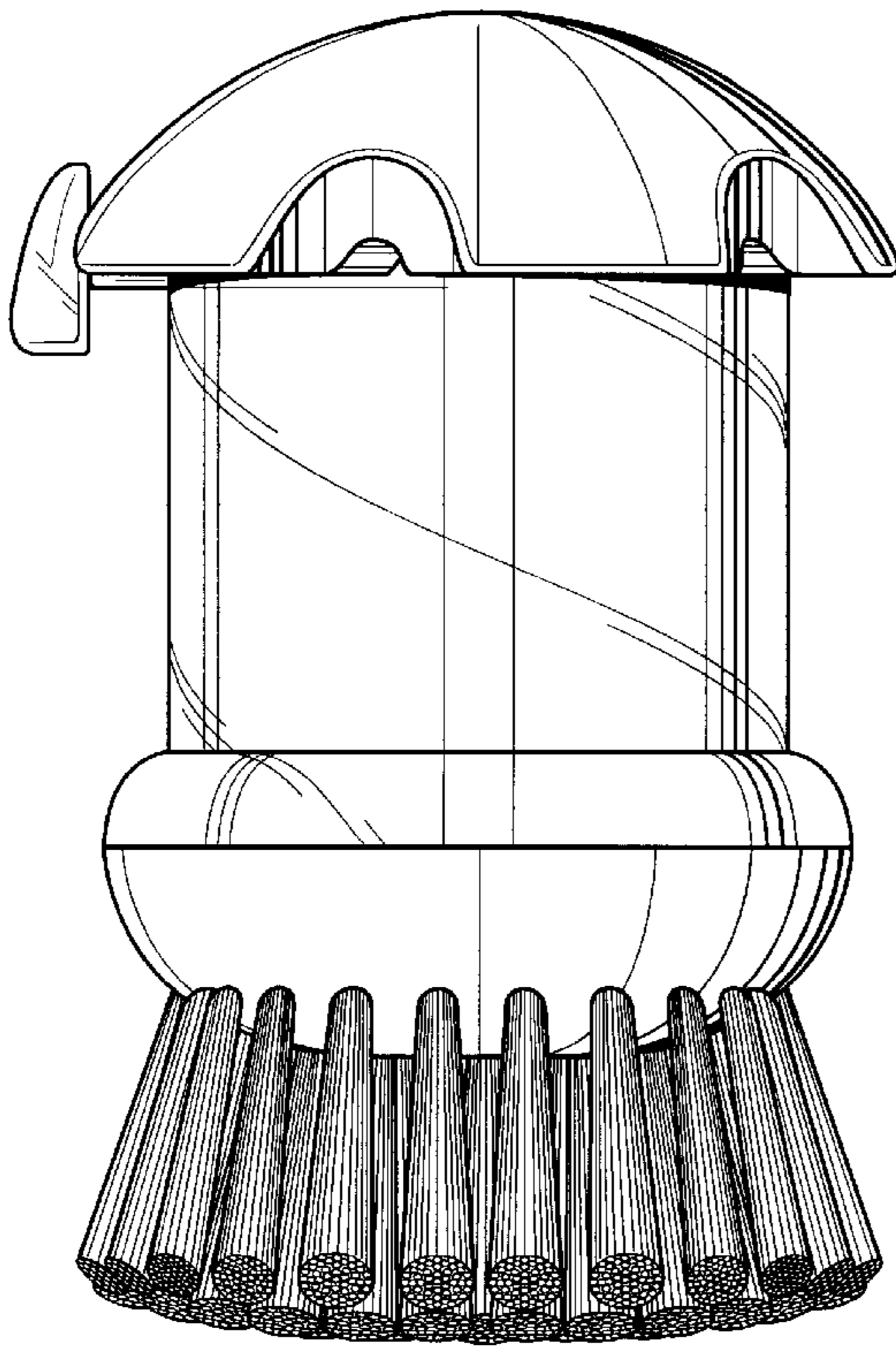


Fig. 4

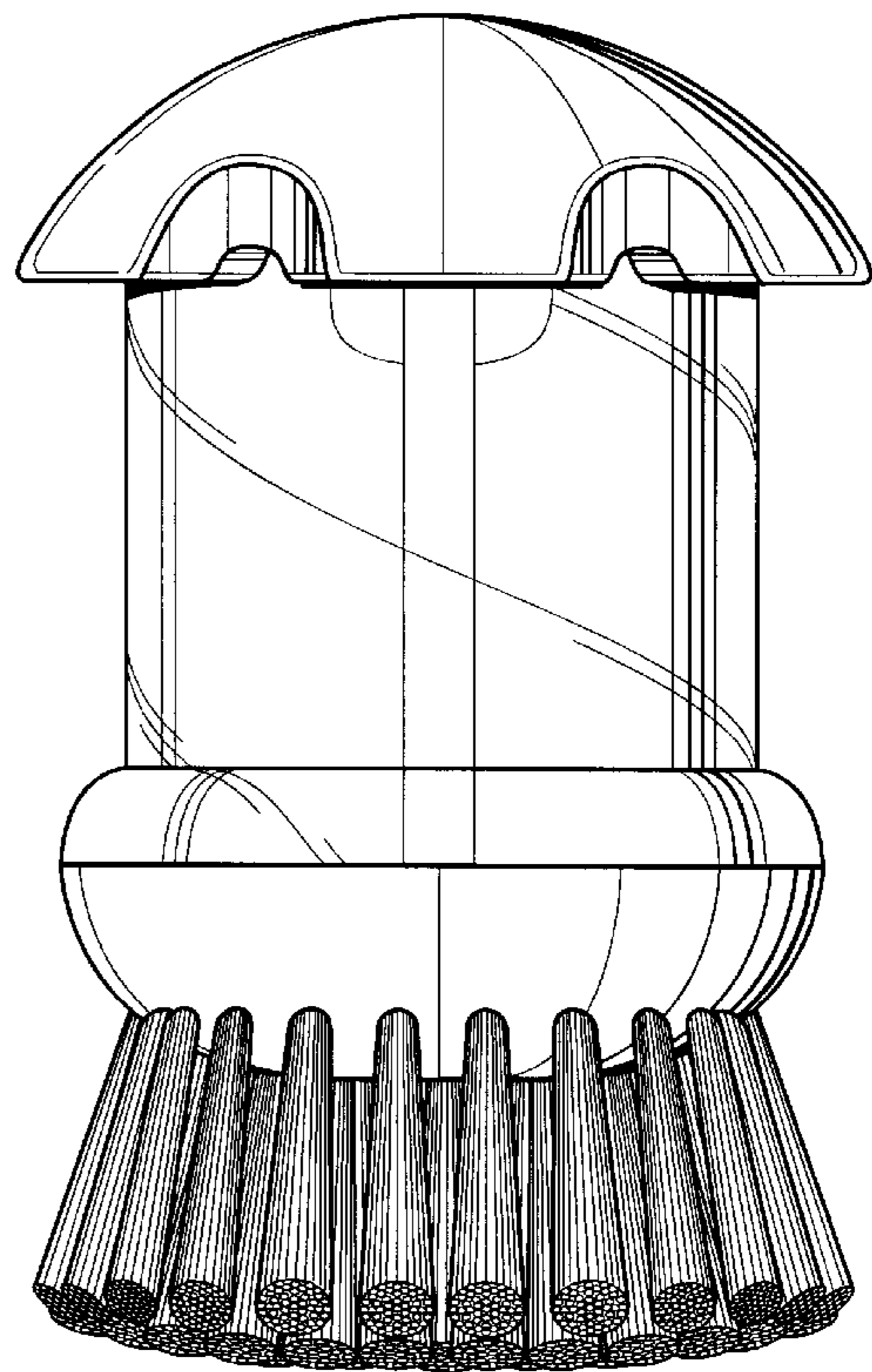


Fig. 5

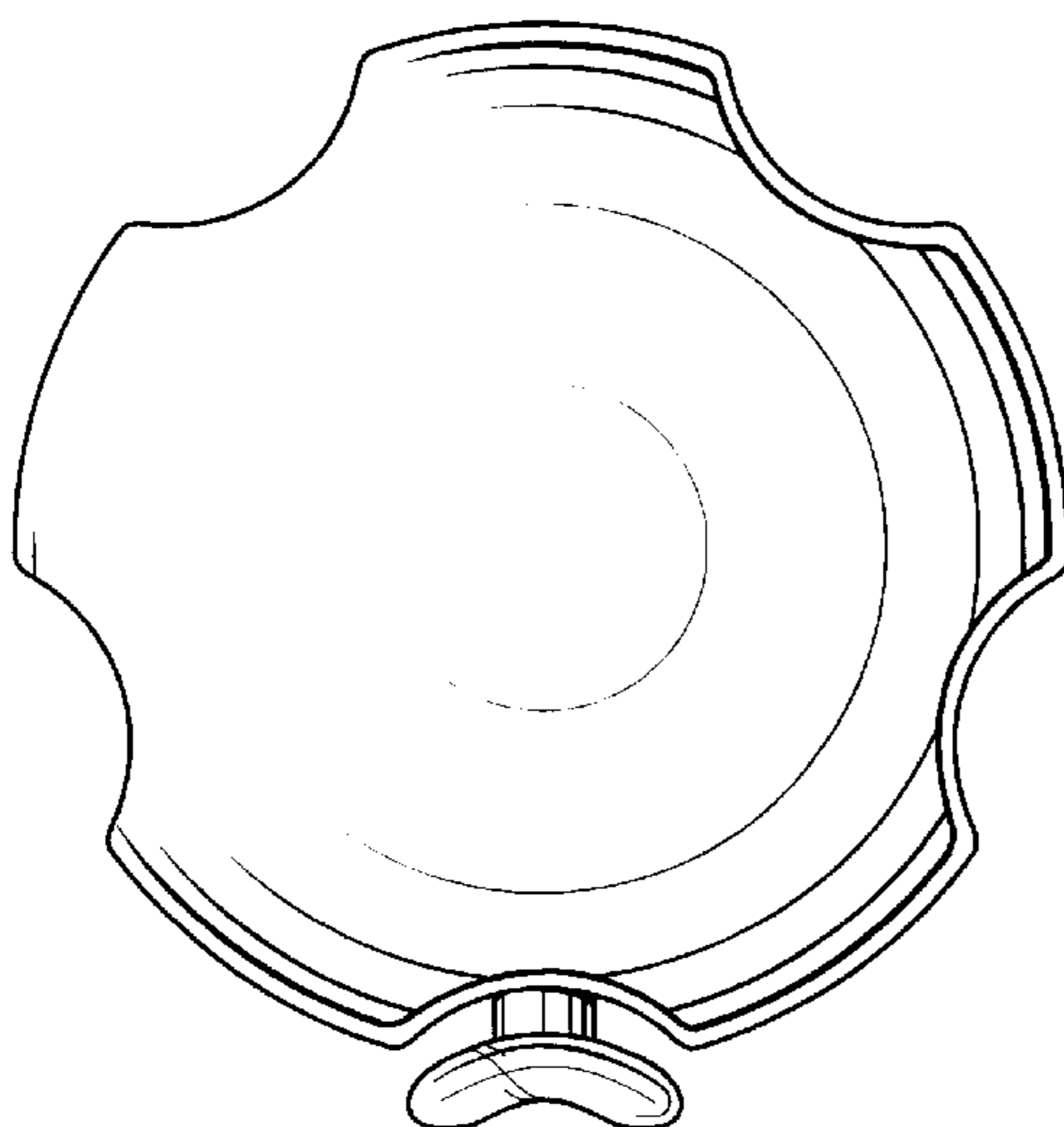


Fig. 6

