



US00D477913S

(12) **United States Design Patent**  
**Fang**

(10) **Patent No.:** **US D477,913 S**

(45) **Date of Patent:** **\*\* Aug. 5, 2003**

(54) **TOOL BOX**

(76) Inventor: **Zen-Chieh Fang**, PO Box 82-144,  
Taipei (TW)

(\*\*) Term: **14 Years**

(21) Appl. No.: **29/171,410**

(22) Filed: **Nov. 22, 2002**

(51) **LOC (7) Cl.** ..... **03-01**

(52) **U.S. Cl.** ..... **D3/282; D3/905**

(58) **Field of Search** ..... D3/276, 273, 281,  
D3/282, 262, 294, 905; 206/349, 372, 373,  
379; 190/100, 105

(56) **References Cited**

**U.S. PATENT DOCUMENTS**

D321,985 S	*	12/1991	Ward	.....	D3/282
D343,063 S	*	1/1994	Chen	.....	D3/282
D357,117 S	*	4/1995	Huang	.....	D3/276
D413,440 S	*	9/1999	Schurman	.....	D3/282
D417,781 S	*	12/1999	Staheli	.....	D3/282

D440,043 S	*	4/2001	Miller et al.	.....	D3/282
D443,415 S	*	6/2001	Hung	.....	D3/273
D467,077 S	*	12/2002	Nawrozki et al.	.....	D3/282

\* cited by examiner

*Primary Examiner*—Philip S. Hyder

(74) *Attorney, Agent, or Firm*—Leong C. Lei

(57) **CLAIM**

The ornamental design for a tool box, as shown and described.

**DESCRIPTION**

FIG. 1 is perspective view of a tool box showing my new design;

FIG. 2 is a front side elevation view thereof;

FIG. 3 is a rear side elevation view thereof;

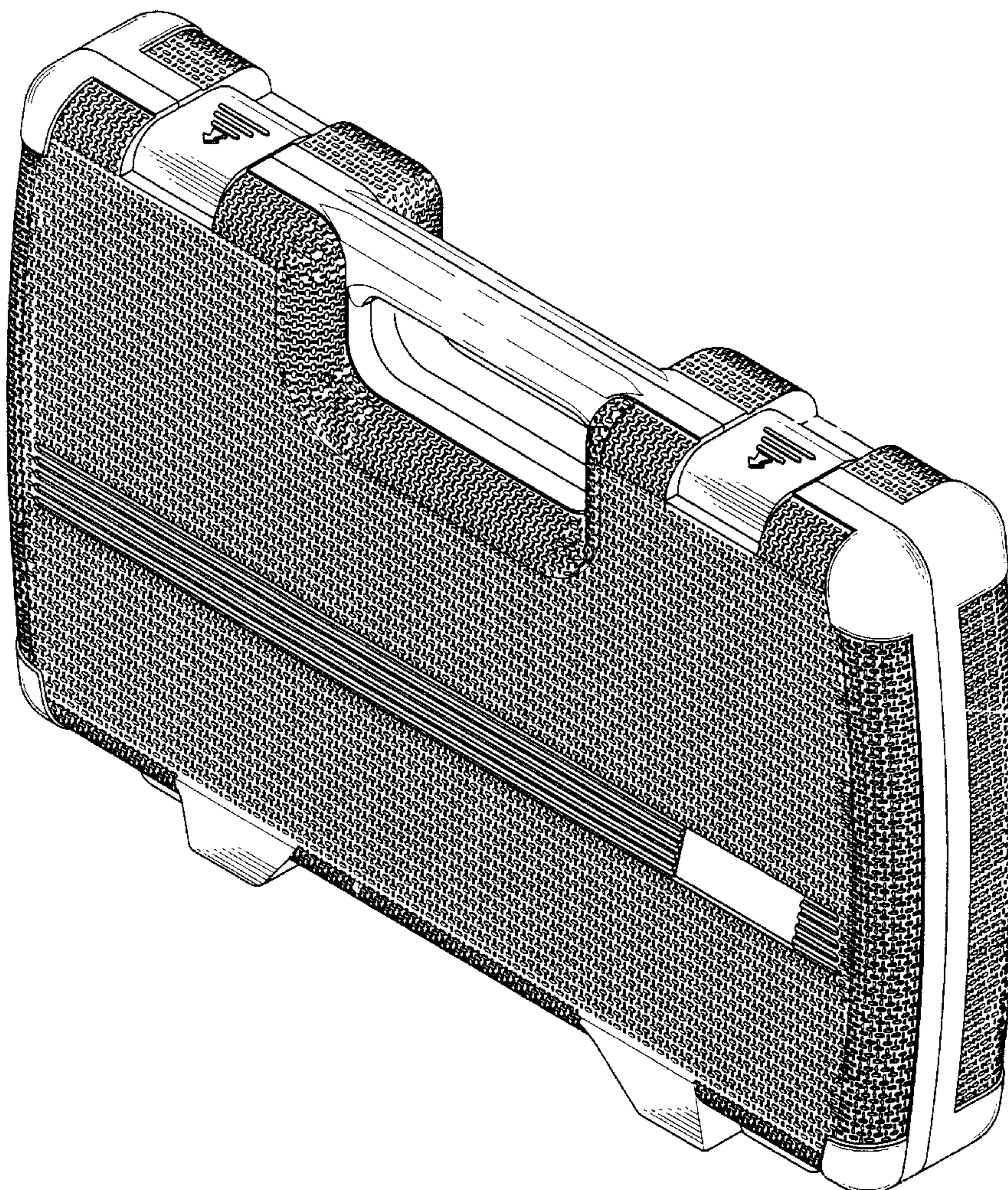
FIG. 4 is a left side elevation view thereof;

FIG. 5 is a right side elevation view thereof;

FIG. 6 is a top plan view thereof; and,

FIG. 7 is a bottom plan view thereof.

**1 Claim, 5 Drawing Sheets**



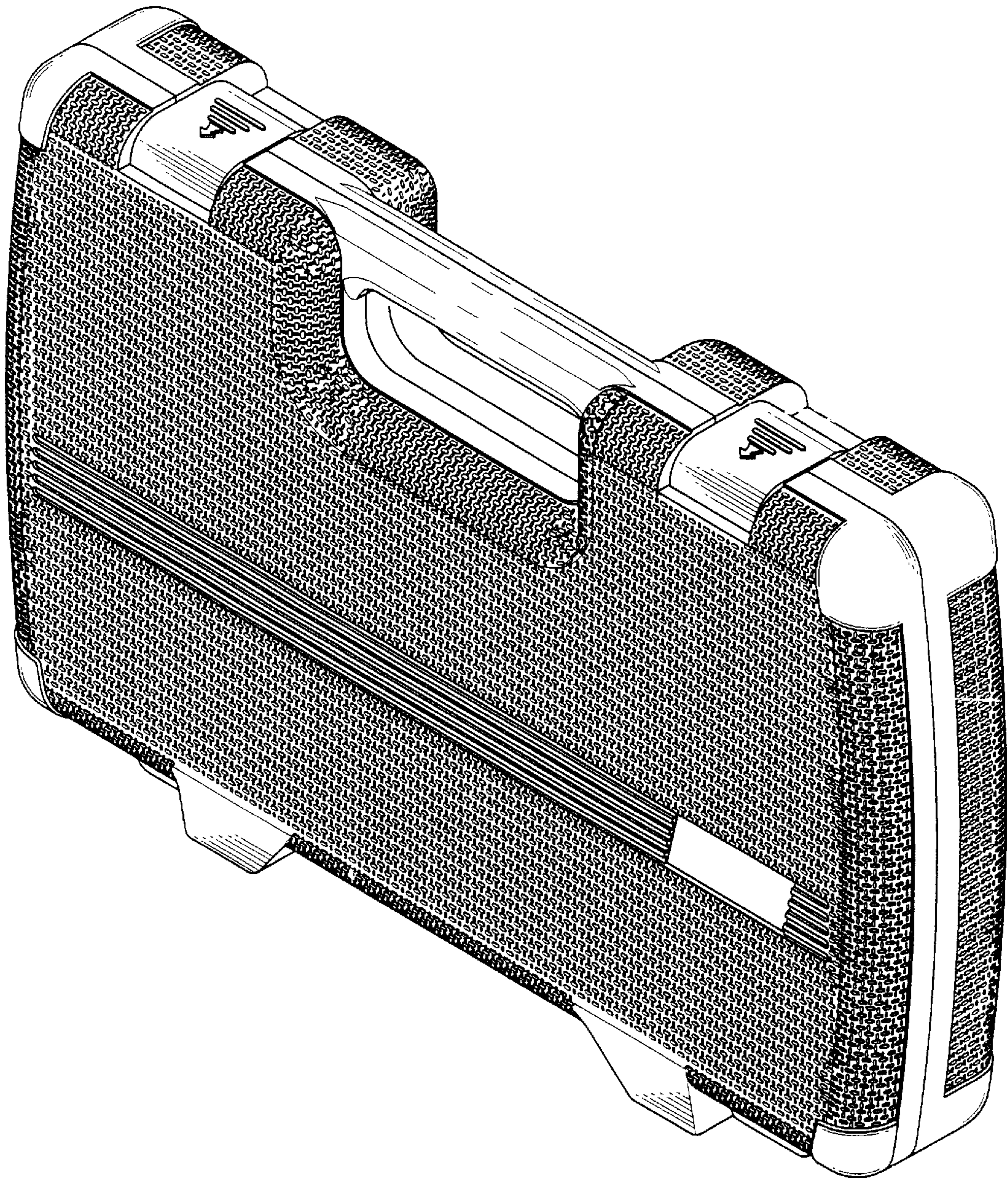


FIG. 1

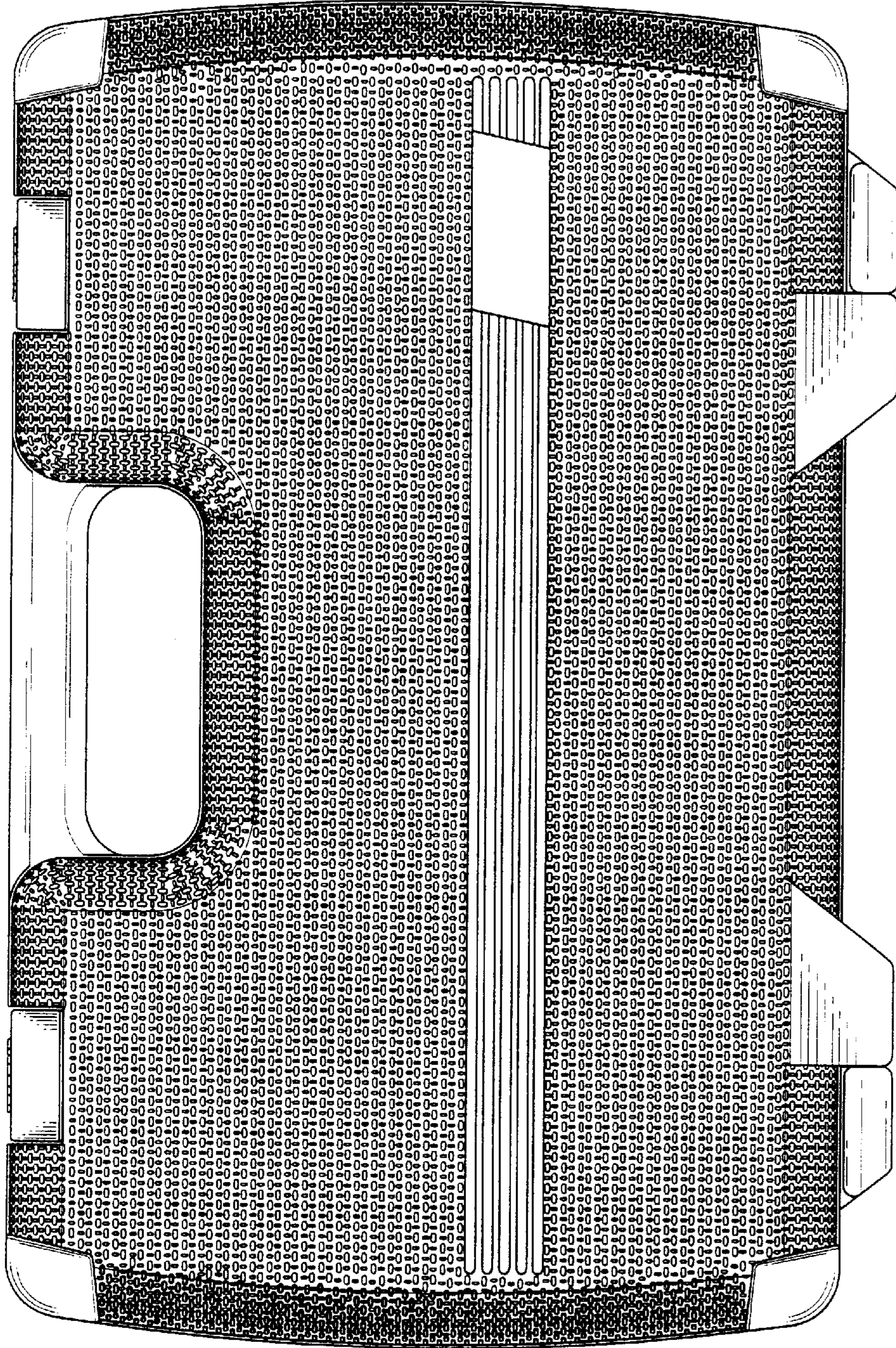


FIG. 2

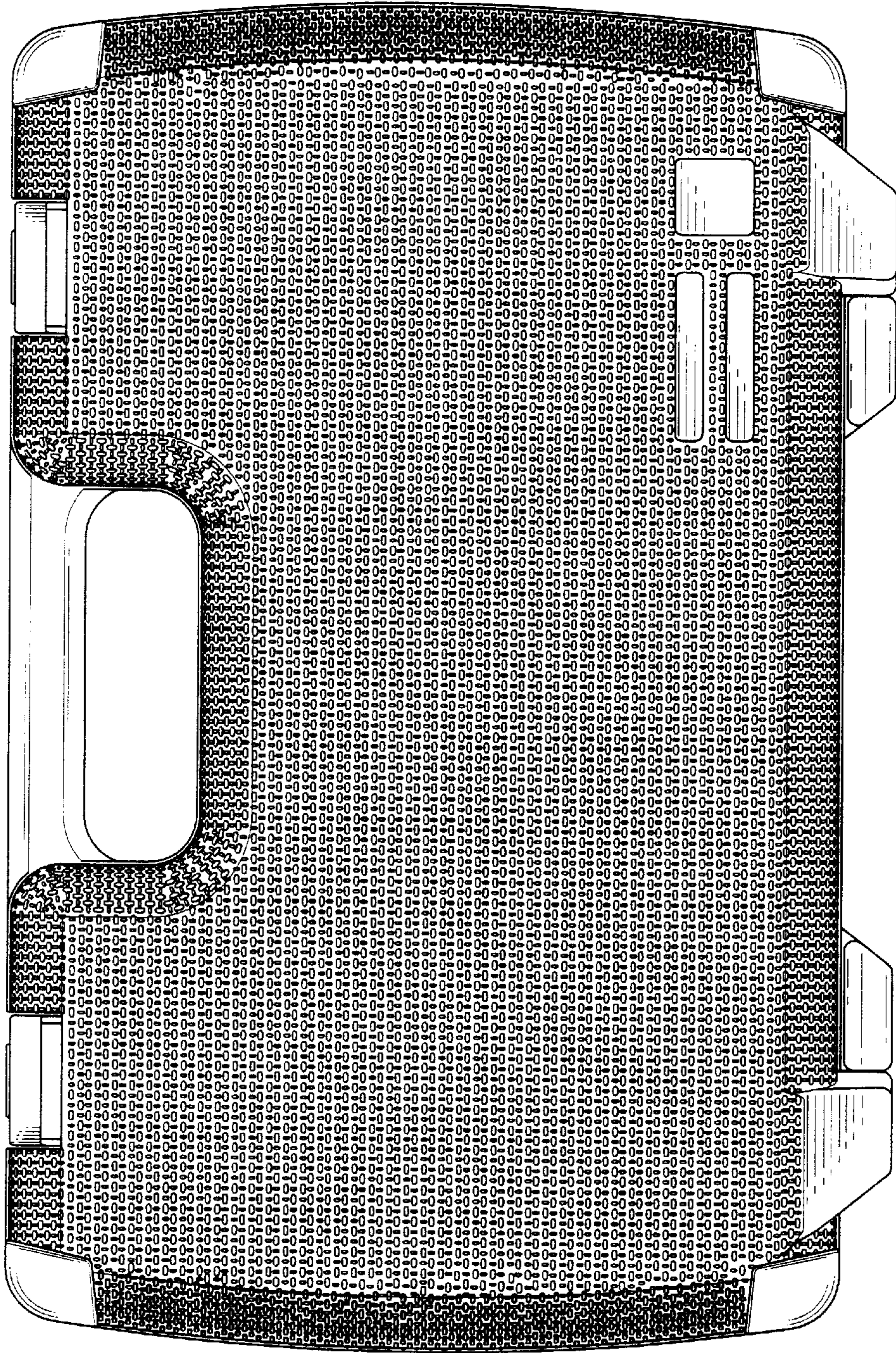


FIG. 3

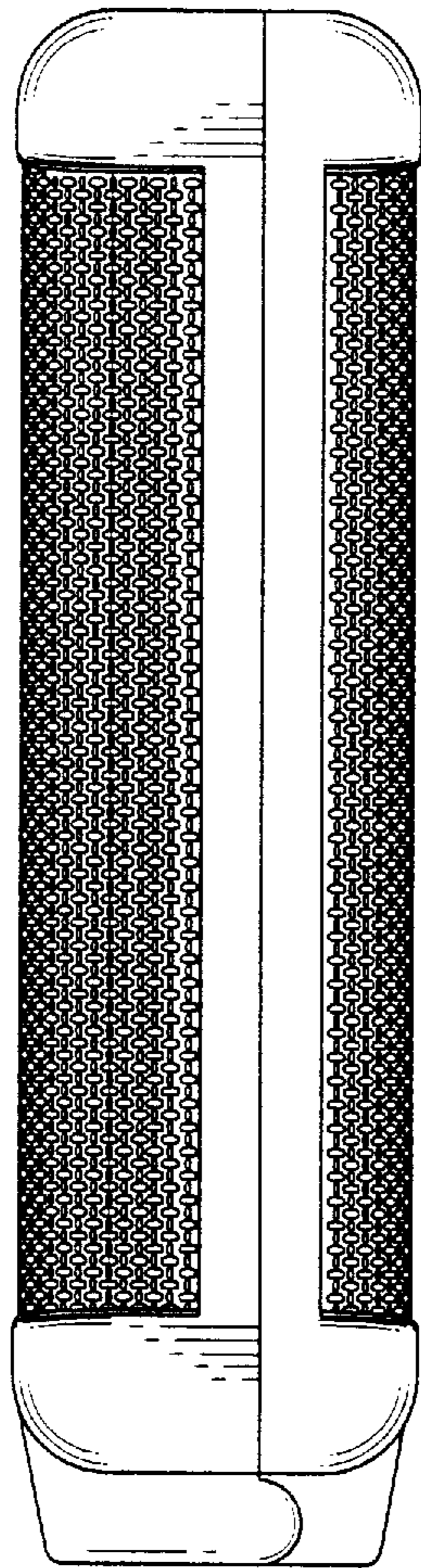


FIG. 4

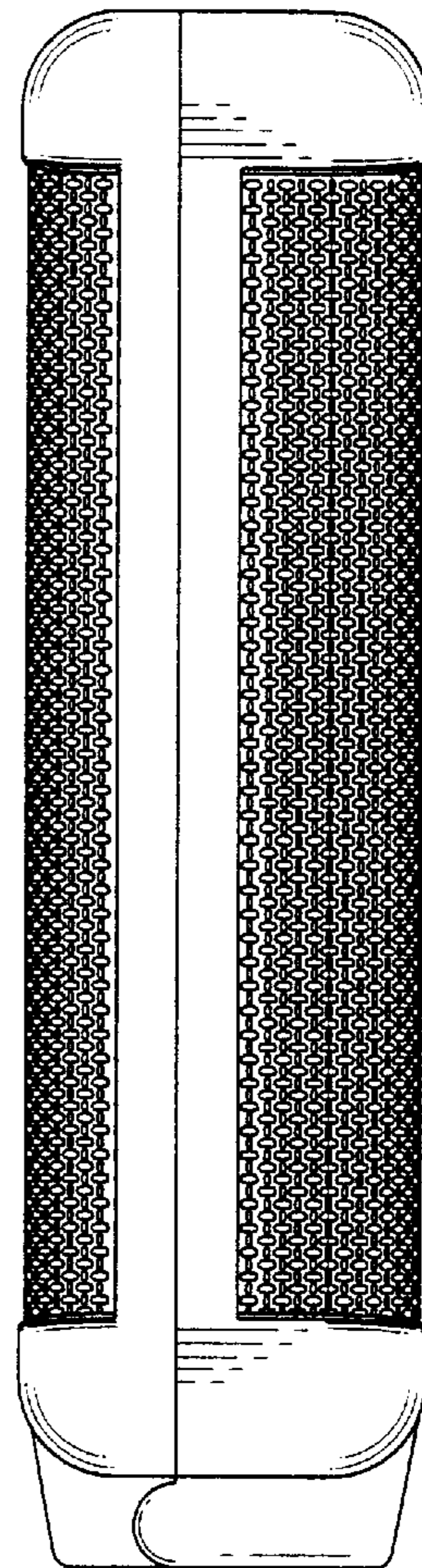


FIG. 5

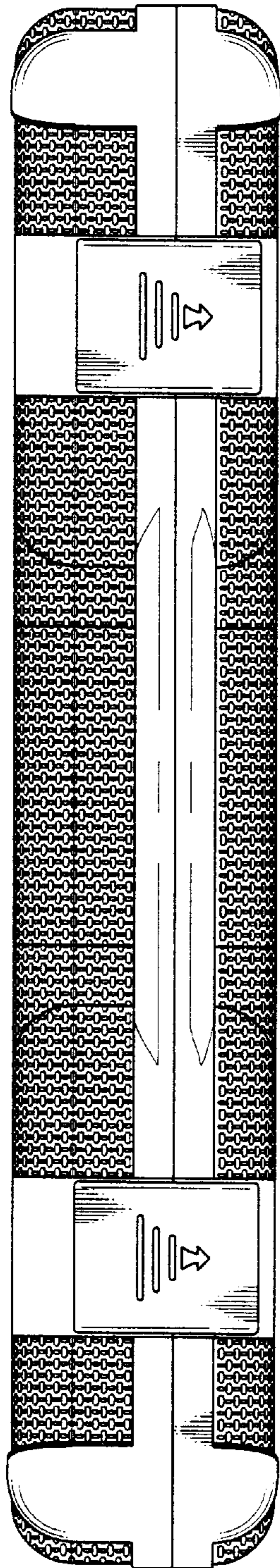


FIG. 6

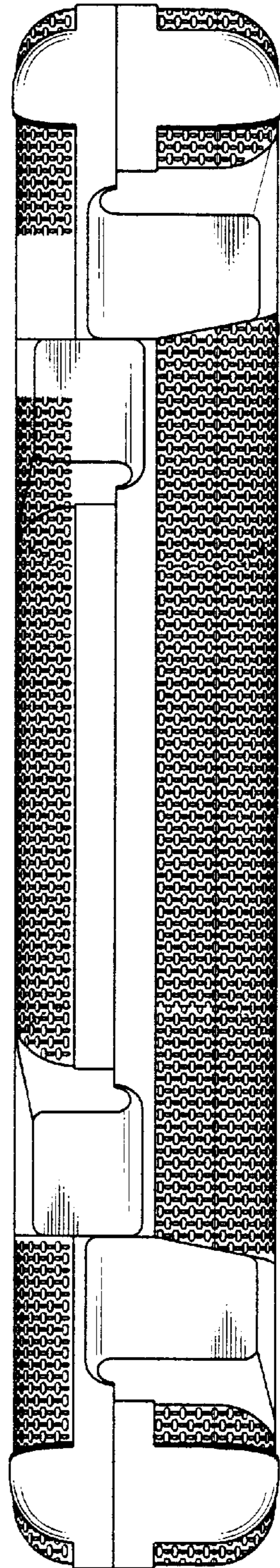


FIG. 7