



US00D477912S

(12) **United States Design Patent**
Cunningham et al.

(10) **Patent No.:** **US D477,912 S**

(45) **Date of Patent:** **** Aug. 5, 2003**

- (54) **DRILL BIT CASE**
- (75) Inventors: **Ian W. Cunningham**, Matthews, NC
(US); **Kristofor M. Hallee**,
Huntersville, NC (US)
- (73) Assignee: **Irwin Industrial Tool Company**,
Freeport, IL (US)
- (**) Term: **14 Years**
- (21) Appl. No.: **29/168,439**
- (22) Filed: **Oct. 2, 2002**
- (51) **LOC (7) Cl.** **03-01**
- (52) **U.S. Cl.** **D3/273; D3/294; D3/905**
- (58) **Field of Search** **D3/273, 276, 281,**
D3/282, 294, 295, 302; D9/420, 423, 424;
206/349, 372, 373, 377, 378, 379

4,260,057 A	4/1981	Wall-Andersen	206/379
D264,396 S	5/1982	Harvey et al.	
4,340,140 A	7/1982	Wilcox et al.	206/373
D269,648 S	7/1983	Wilcox et al.	
D277,339 S	1/1985	Huot, Jr. et al.	
4,576,307 A	3/1986	Frydenberg	220/324
4,615,464 A	10/1986	Byrns	220/469
D287,906 S	1/1987	Tsuji et al.	
D291,946 S	9/1987	Dottori et al.	
4,828,113 A	5/1989	Friedland et al.	206/570
4,958,732 A	9/1990	Rau et al.	206/379
D311,644 S	10/1990	Chapin et al.	
4,974,740 A	12/1990	Niles et al.	230/324
D314,669 S	2/1991	Kunimune	
5,031,768 A	7/1991	Fischer	206/370
5,114,007 A	5/1992	Chen	206/373
D328,189 S	7/1992	Hillinger	
5,133,455 A	7/1992	Chow	206/374
D329,331 S	9/1992	Hobson	
5,172,810 A	12/1992	Brewer	206/369

(List continued on next page.)

(56) **References Cited**

U.S. PATENT DOCUMENTS

1,342,364 A	6/1920	Wikstrom	
1,927,110 A	9/1933	Bannister et al.	
1,930,617 A	10/1933	Huot	
2,305,021 A	12/1942	Meier	
2,437,595 A	3/1948	Douglass	
2,487,174 A	11/1949	Petre	
2,508,951 A	5/1950	Kazimier	
D167,868 S	9/1952	Selikoff et al.	
D178,627 S	9/1956	Baratelli et al.	
D183,777 S	10/1958	Weiss	
3,018,876 A	1/1962	Huot	
3,074,539 A	1/1963	Rogovin	
3,154,192 A	10/1964	Cowley	
3,346,137 A	10/1967	Ricci	
3,370,697 A	2/1968	Levey et al.	
3,426,890 A	2/1969	Bayer	
3,499,525 A	3/1970	Kanter	
3,583,556 A	6/1971	Wagner	
D221,317 S	7/1971	Muller	
D229,366 S	11/1973	Yonce	
4,048,051 A	9/1977	Gretz	
4,216,862 A	8/1980	Daenen	206/541

FOREIGN PATENT DOCUMENTS

DE 1 085 810 7/1960

Primary Examiner—Philip S. Hyder
(74) *Attorney, Agent, or Firm*—Brinks Hofer Gilson & Lione

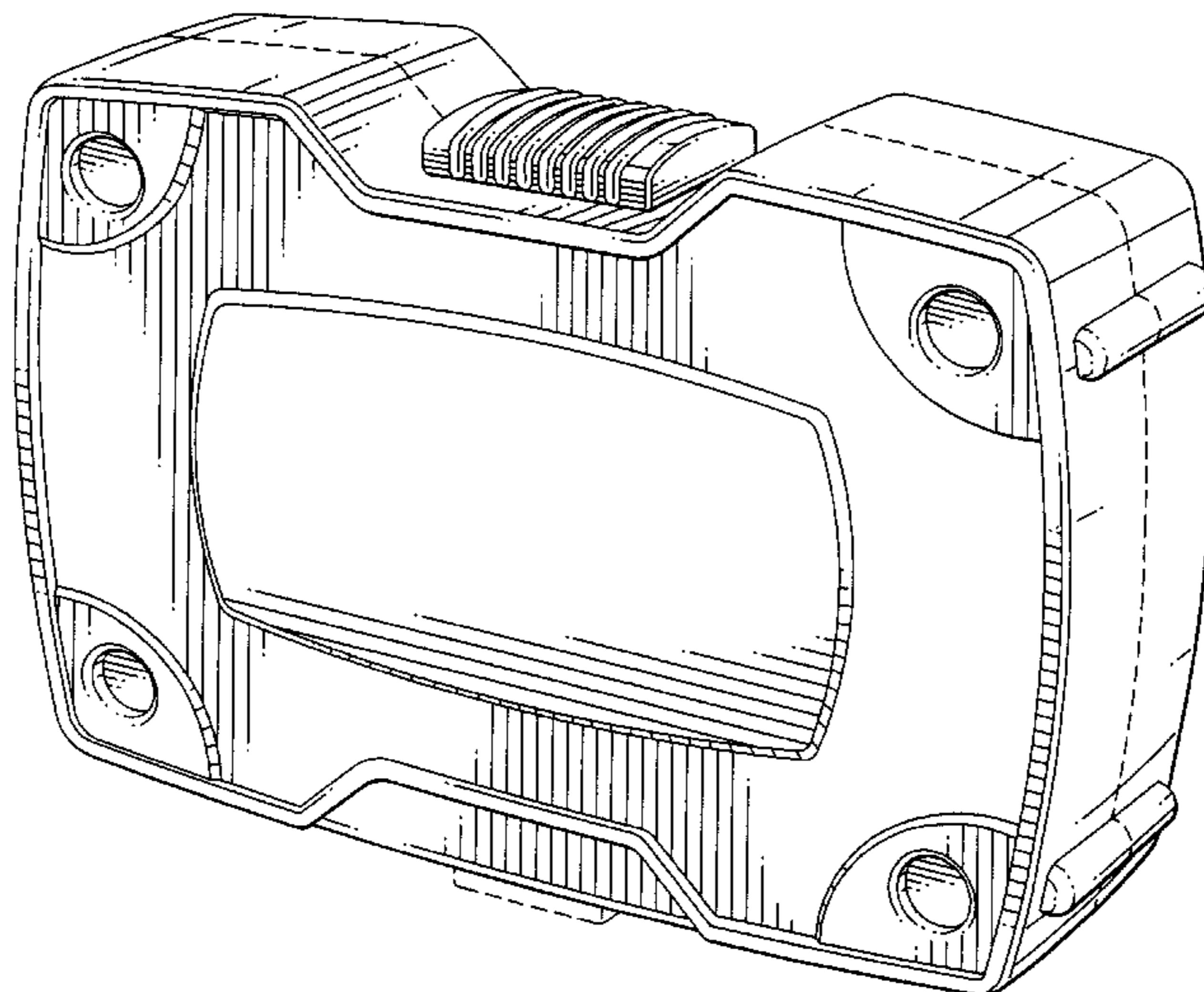
(57) **CLAIM**

The ornamental design for a drill bit case, as shown and described.

DESCRIPTION

FIG. 1 is a perspective view of an embodiment of the drill bit case;
FIG. 2 is a top view of the embodiment of FIG. 1;
FIG. 3 is a bottom view of the embodiment of FIG. 1;
FIG. 4 is a side view of the embodiment of FIG. 1; and,
FIG. 5 is a front view of the embodiment of FIG. 1.
The dotted lines indicate components for illustrative purposes only and form no part of the subject design.

1 Claim, 5 Drawing Sheets



US D477,912 S

Page 2

U.S. PATENT DOCUMENTS

D343,063 S	1/1994	Chen		D382,115 S	8/1997	Chang	D3/282
D343,120 S	1/1994	Lapsker et al.	D382,709 S	8/1997	Cuneo	D3/282
D345,650 S	4/1994	Boyd	D385,109 S	10/1997	Staheli	D3/281
D347,114 S	5/1994	Tengvall	5,676,254 A	10/1997	Cheng et al.	206/751
5,341,926 A	8/1994	Leben	D394,952 S	6/1998	Wei	D3/273
5,368,164 A	11/1994	Bennett et al.	5,803,254 A	9/1998	Vasudeva	206/373
D356,891 S	4/1995	Hobson	5,826,719 A	10/1998	Chen	206/373
D358,257 S	5/1995	Sidabras et al.	D400,709 S	11/1998	Chang	D3/294
5,429,235 A	7/1995	Chen	5,887,715 A	3/1999	Vasudeva	206/373
5,433,929 A	7/1995	Riihimaki et al.	D418,977 S	1/2000	Streich	D3/273
5,525,314 A	6/1996	Hurson	6,024,218 A	2/2000	Knoblauch	206/379
5,526,929 A	6/1996	Wei	6,032,796 A	3/2000	Hopper et al.	206/377
D374,988 S	10/1996	Hillinger	D434,561 S	12/2000	Vasudeva	D3/282
5,562,208 A	10/1996	Hasler et al.	D437,684 S *	2/2001	Streich et al.	D3/273
5,570,784 A	11/1996	Sidabras et al.	6,213,296 B1	4/2001	Streich et al.	206/373
D379,715 S	6/1997	Yemini	D447,634 S *	9/2001	Snider	D3/294
5,638,838 A	6/1997	Lombardi	D448,167 S *	9/2001	Pangerc et al.	D3/294
5,641,066 A	6/1997	Mascaro	D449,931 S *	11/2001	Snider	D3/294

* cited by examiner

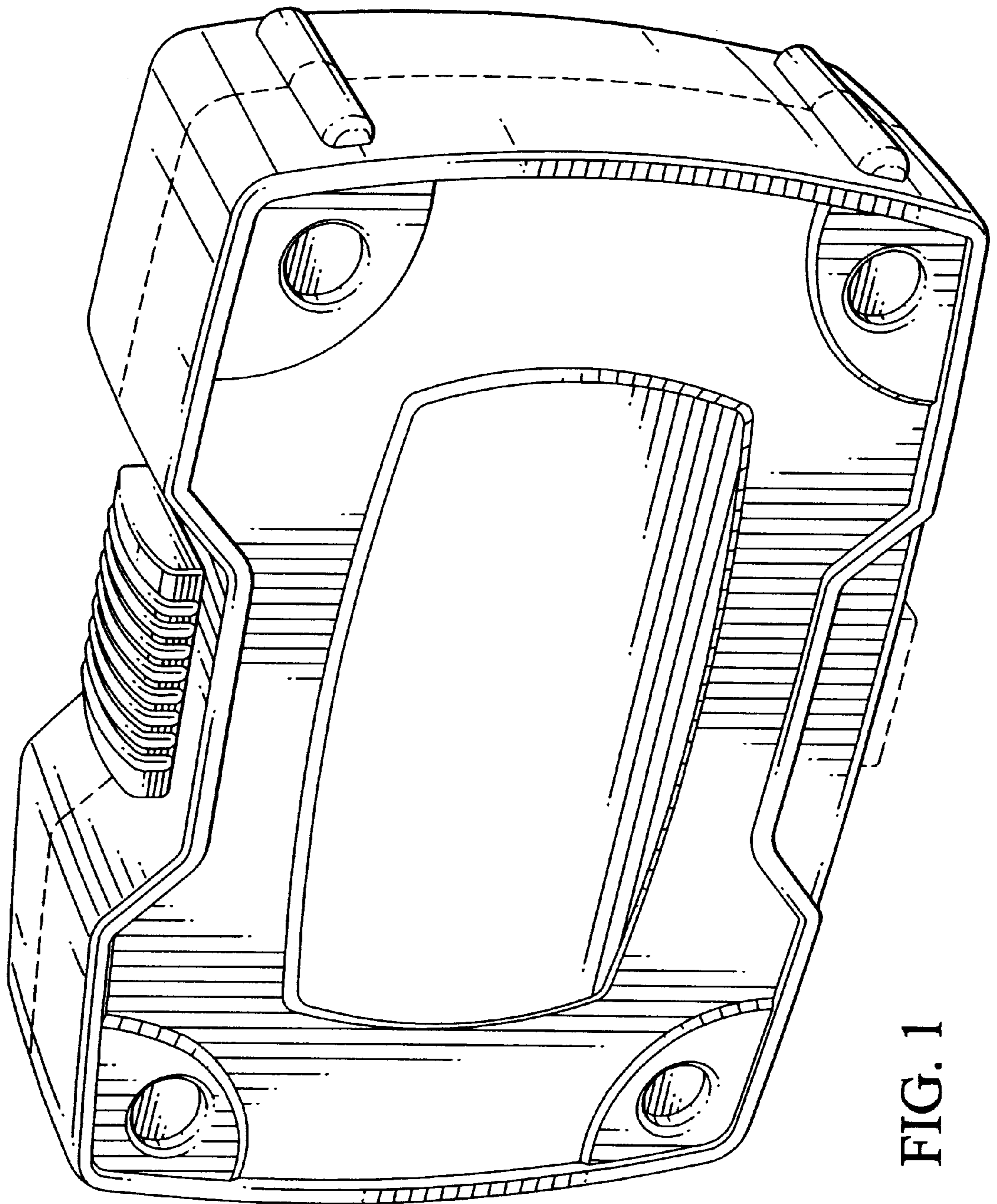


FIG. 1

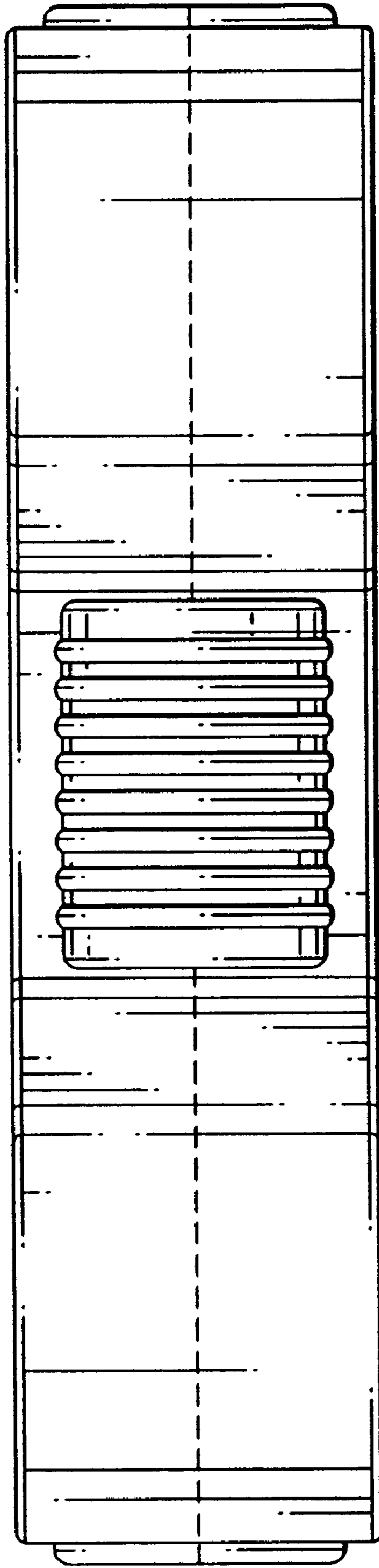


FIG. 2

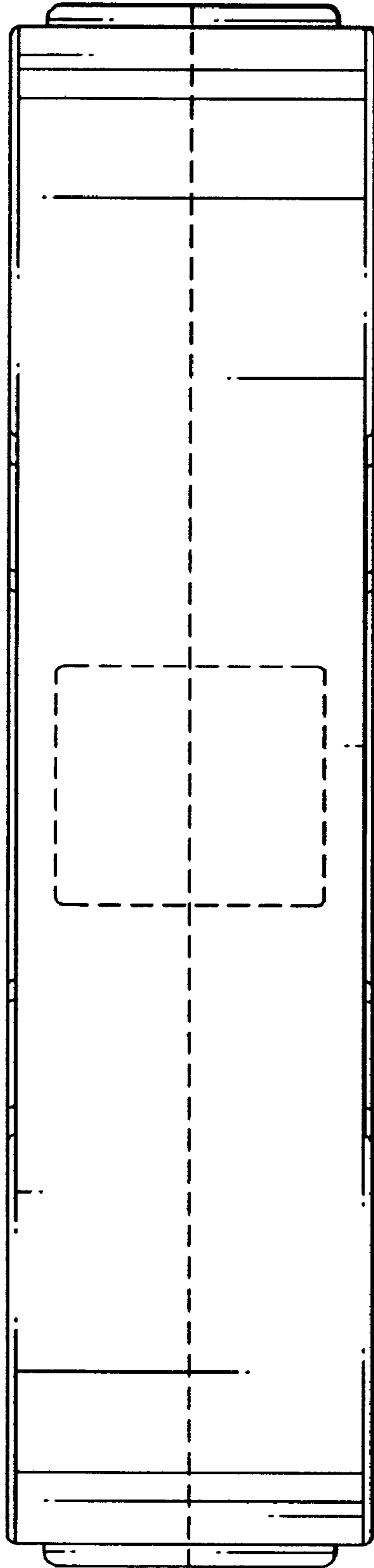


FIG. 3

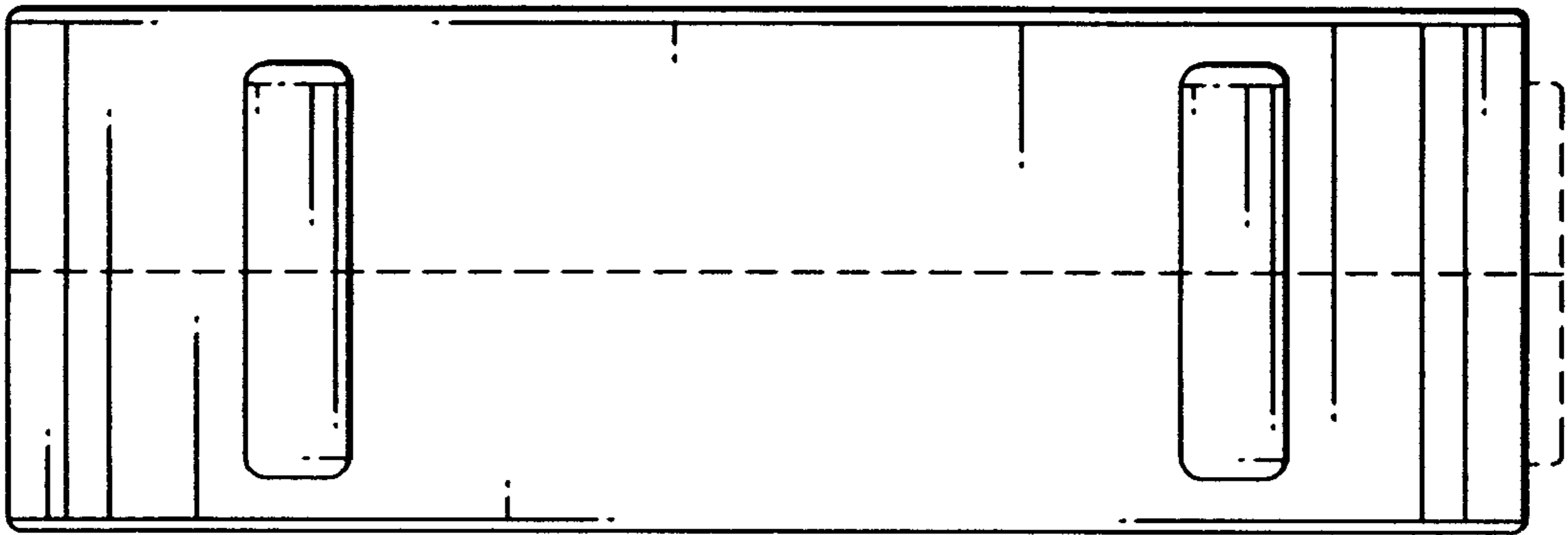


FIG. 4

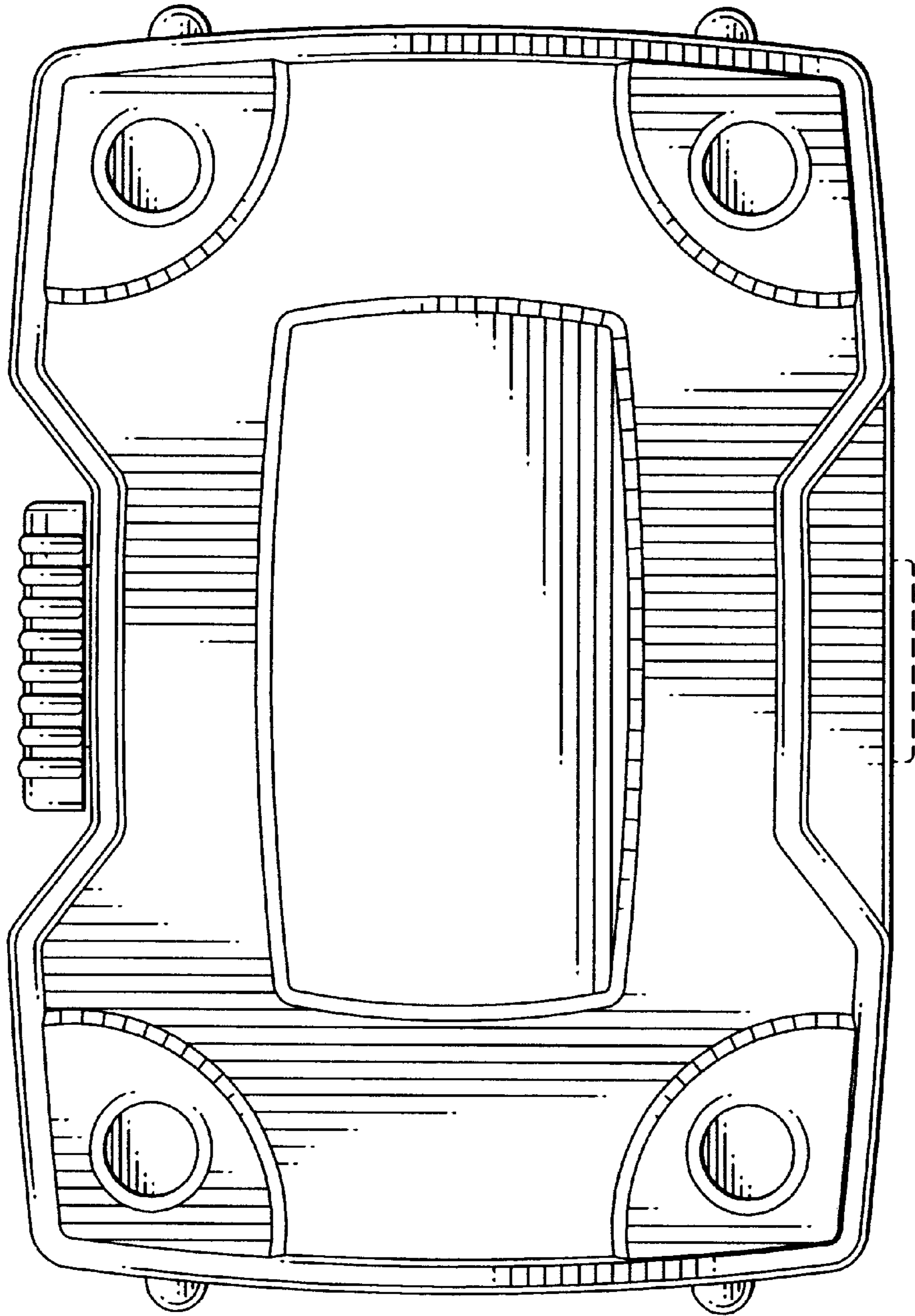


FIG. 5