



US00D477909S

(12) **United States Design Patent**  
**Harris**

(10) **Patent No.:** **US D477,909 S**

(45) **Date of Patent:** **\*\* Aug. 5, 2003**

(54) **ELECTRONIC TOLL PASS HOLDER**

(75) Inventor: **Jack Harris**, Astoria, NY (US)

(73) Assignee: **Uscan Industries, Inc.**, Atlantic City, NJ (US)

(\*\*) Term: **14 Years**

(21) Appl. No.: **29/155,306**

(22) Filed: **Feb. 11, 2002**

(51) **LOC (7) Cl.** ..... **03-01**

(52) **U.S. Cl.** ..... **D3/247**

(58) **Field of Search** ..... 150/131, 138, 150/145, 146, 147, 148, 149, 900; D3/247, 303; D20/42, 43, 44; 40/591, 593, 597, 643, 649; 248/206.2, 206.3, 305; 206/39.5

(56) **References Cited**

**U.S. PATENT DOCUMENTS**

4,069,606	A	*	1/1978	Shevin et al.	.....	40/643
D299,888	S	*	2/1989	Maxwell	.....	D3/303 X
D302,704	S	*	8/1989	Krautsack	.....	D20/43
D303,403	S	*	9/1989	Barcom	.....	D20/43
D397,365	S	*	8/1998	Johnson	.....	D20/43
5,960,572	A		10/1999	DeVito		
6,105,294	A	*	8/2000	Goodfellow	.....	40/649 X

**OTHER PUBLICATIONS**

EZ-Clip Toll Pass Holder Sold By E Squared, Inc., 1998.

\* cited by examiner

*Primary Examiner*—Louis S. Zarfaz

*Assistant Examiner*—Monica A. Weingart

(74) *Attorney, Agent, or Firm*—Norman E. Lehrer

(57) **CLAIM**

The ornamental design for an “electronic toll pass holder”, as shown and described.

**DESCRIPTION**

FIG. 1 is a front perspective view of an “electronic toll pass holder” showing my new design;

FIG. 2 is a front elevational view thereof;

FIG. 3 is a right side elevational view thereof, the left side being a mirror image thereof;

FIG. 4 is a top plan view thereof;

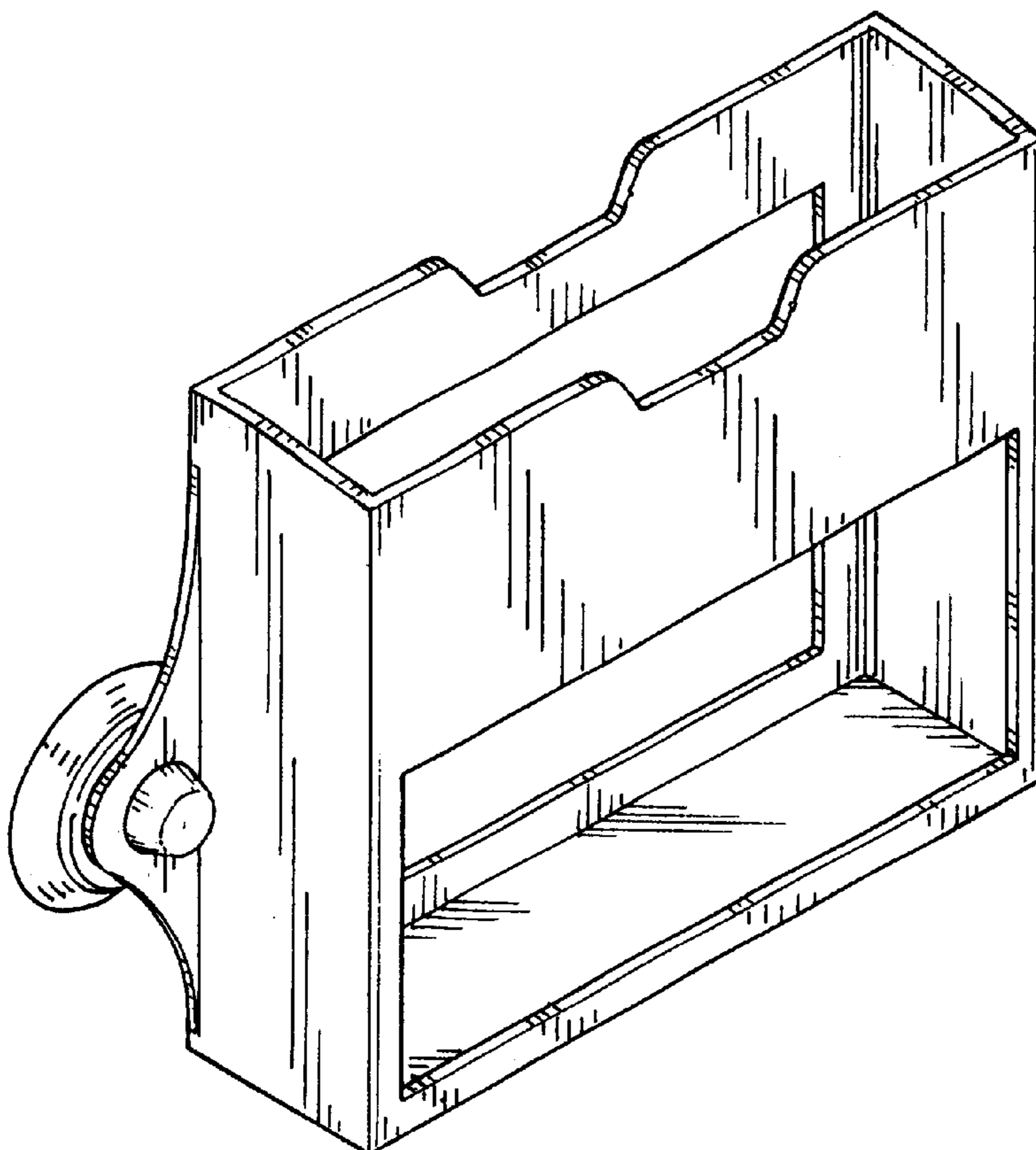
FIG. 5 is a bottom plan view thereof;

FIG. 6 is a rear elevational view thereof; and,

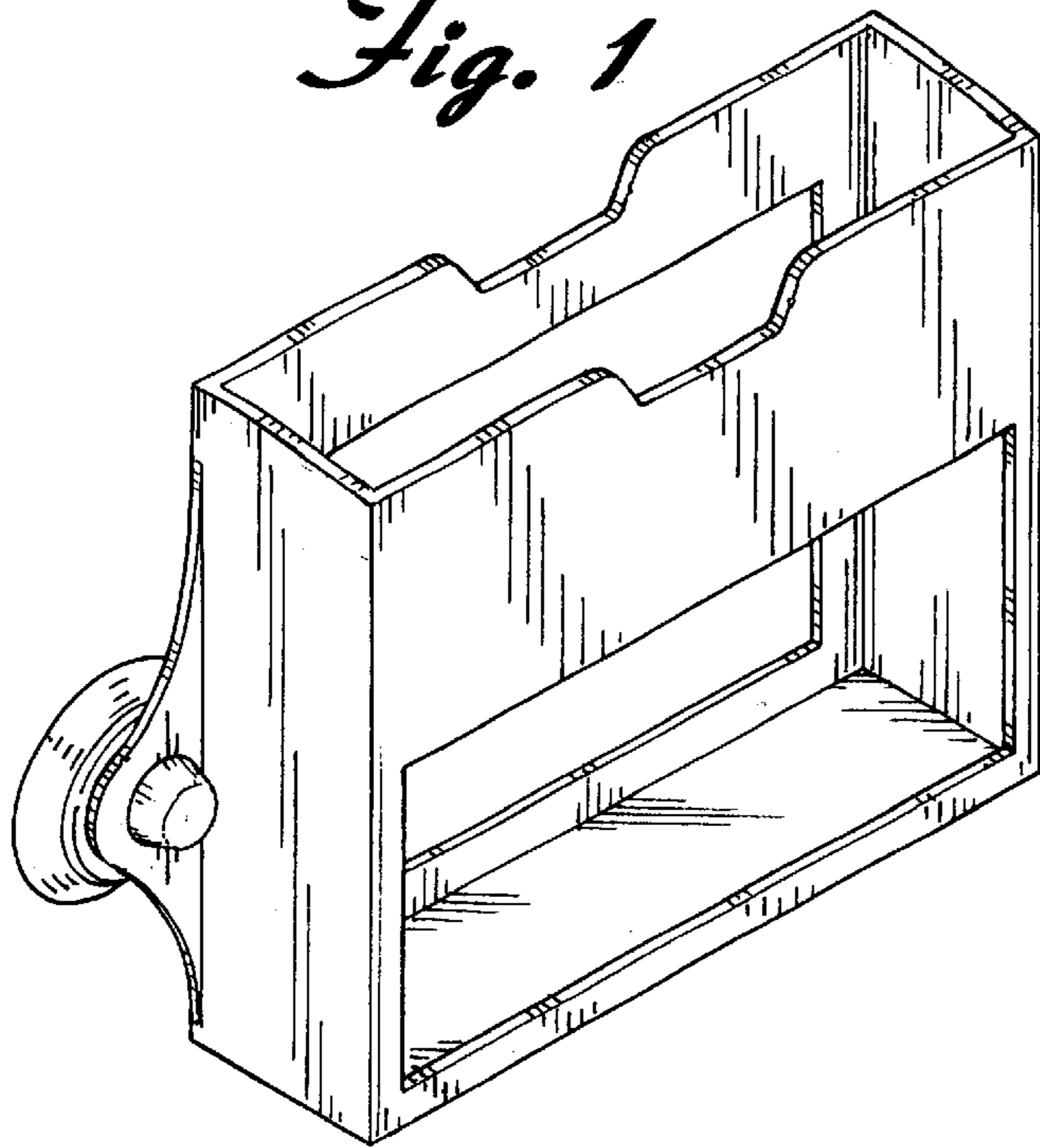
FIG. 7 is a rear perspective view thereof.

The material shown in phantom in FIG. 7 is for environment only and does not form a part of the design.

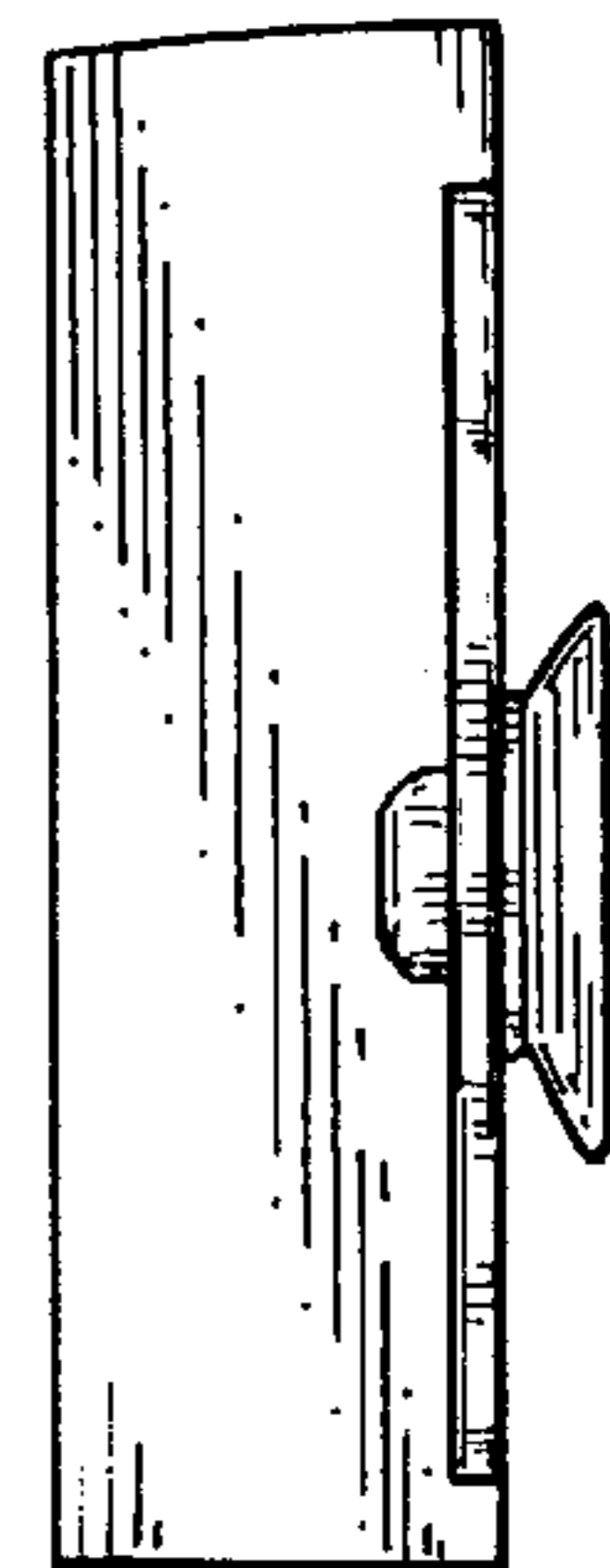
**1 Claim, 2 Drawing Sheets**



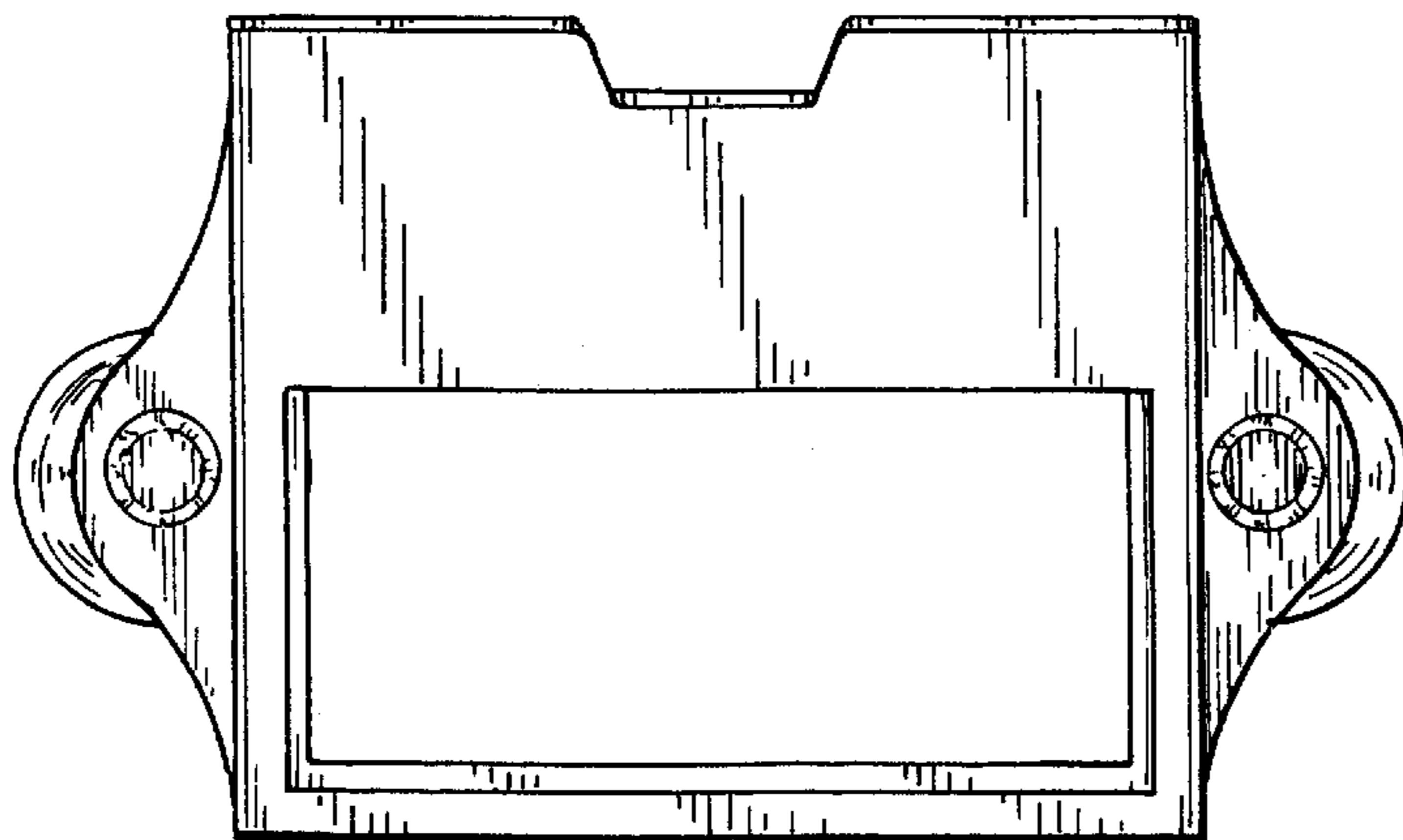
*Fig. 1*



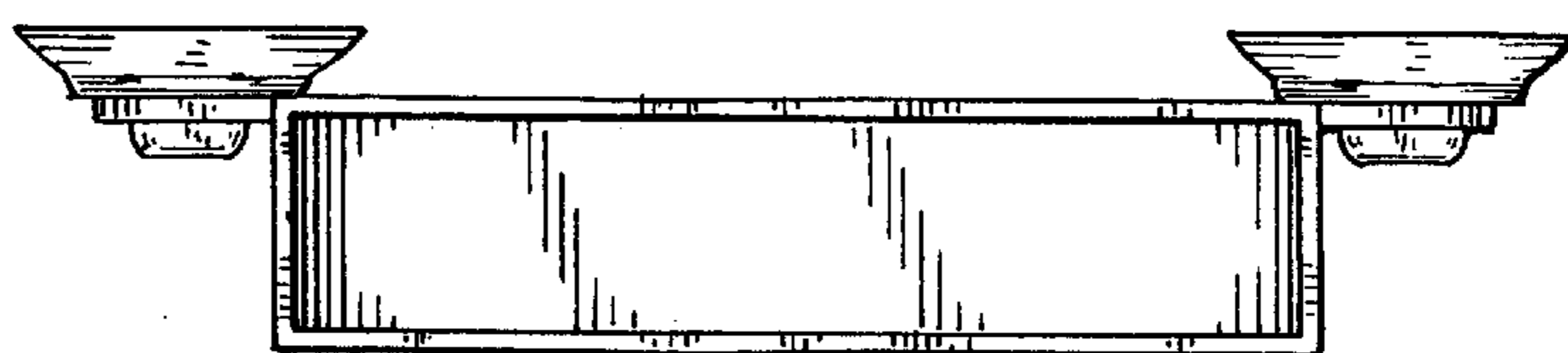
*Fig. 3*



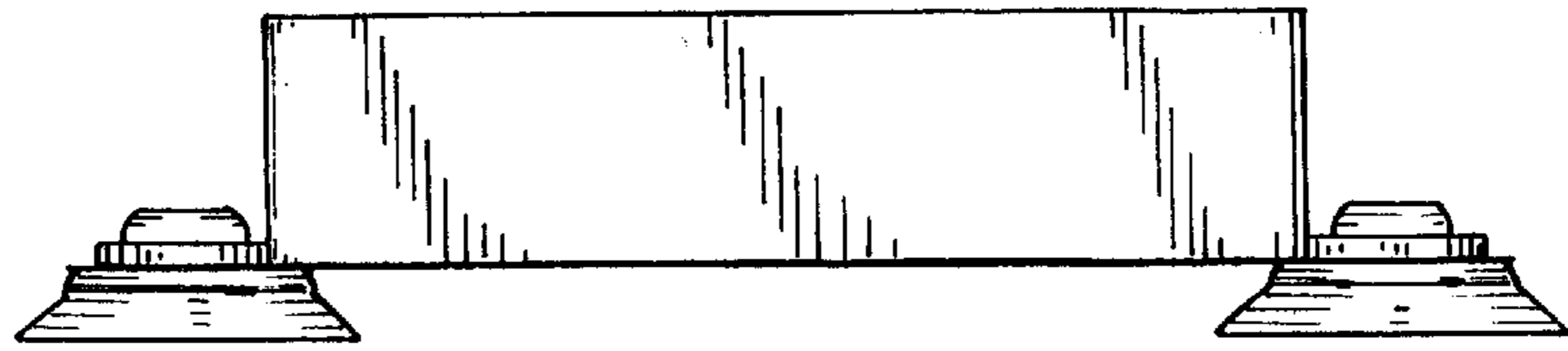
*Fig. 2*



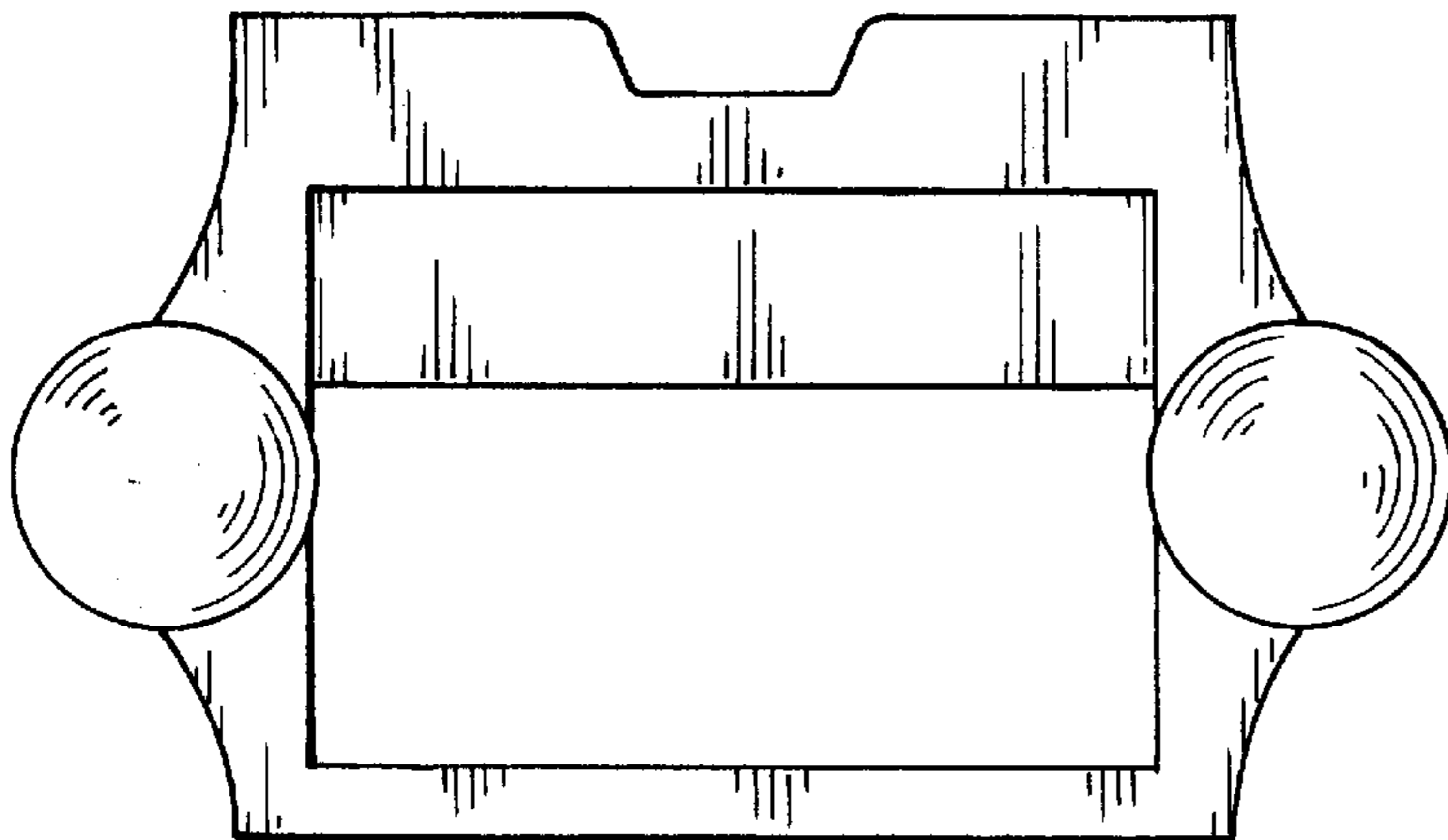
*Fig. 4*



*Fig. 5*



*Fig. 6*



*Fig. 7*

