



US00D477901S

(12) **United States Design Patent**  
**Robinson**

(10) **Patent No.:** **US D477,901 S**

(45) **Date of Patent:** **\*\* Jul. 29, 2003**

(54) **HANDGRIP-ACTUATED INTERFACE FOR INTELLIGENT LIFTING DEVICE**

(75) Inventor: **Douglas Robinson**, Farmington, NY (US)

(73) Assignee: **Gorbel, Inc.**, Fishers, NY (US)

(\*\*) Term: **14 Years**

(21) Appl. No.: **29/162,148**

(22) Filed: **Jun. 11, 2002**

(51) **LOC (7) Cl.** ..... **12-05**

(52) **U.S. Cl.** ..... **D34/33**

(58) **Field of Search** ..... D34/28, 33, 31;  
254/380, 382, 384, 335, 372

(56) **References Cited**

**U.S. PATENT DOCUMENTS**

2,991,976	A	*	7/1961	Carroll	.....	254/380
3,139,268	A	*	6/1964	Carroll	.....	254/382
3,163,399	A	*	12/1964	Skerry	.....	254/382
3,182,962	A	*	5/1965	Gray	.....	254/382
3,258,248	A	*	6/1966	Lerch et al.	.....	254/382
3,934,855	A	*	1/1976	Patterson, III et al.	.....	254/382
4,869,540	A	*	9/1989	Faul	.....	254/382
D307,659	S	*	5/1990	Kobayashi et al.	.....	D34/33
D309,969	S	*	8/1990	Tamura	.....	D34/33
D313,299	S	*	12/1990	Tupper	.....	D34/33
D407,175	S	*	3/1999	Nishimura	.....	D34/33

**OTHER PUBLICATIONS**

No Author Noted, "Force Intelligent Lifting Device," Gorbel Inc. brochure, 600 Fishers Run, Fishers, NY 14453-0593, (Jul. 17, 2000).

\* cited by examiner

*Primary Examiner*—Cynthia E. Ramirez

(74) *Attorney, Agent, or Firm*—Greenwald & Basch LLP; Duane C. Basch

(57) **CLAIM**

The ornamental design for a "handgrip-actuated interface for intelligent lifting device", as shown and described.

**DESCRIPTION**

FIG. 1 is a perspective view of the top, front and right side of the handgrip-actuated interface for intelligent lifting device;

FIG. 2 is a front elevation view of the handgrip-actuated interface;

FIG. 3 is a right side elevation view of the handgrip-actuated interface;

FIG. 4 is a rear elevation view of the handgrip-actuated interface;

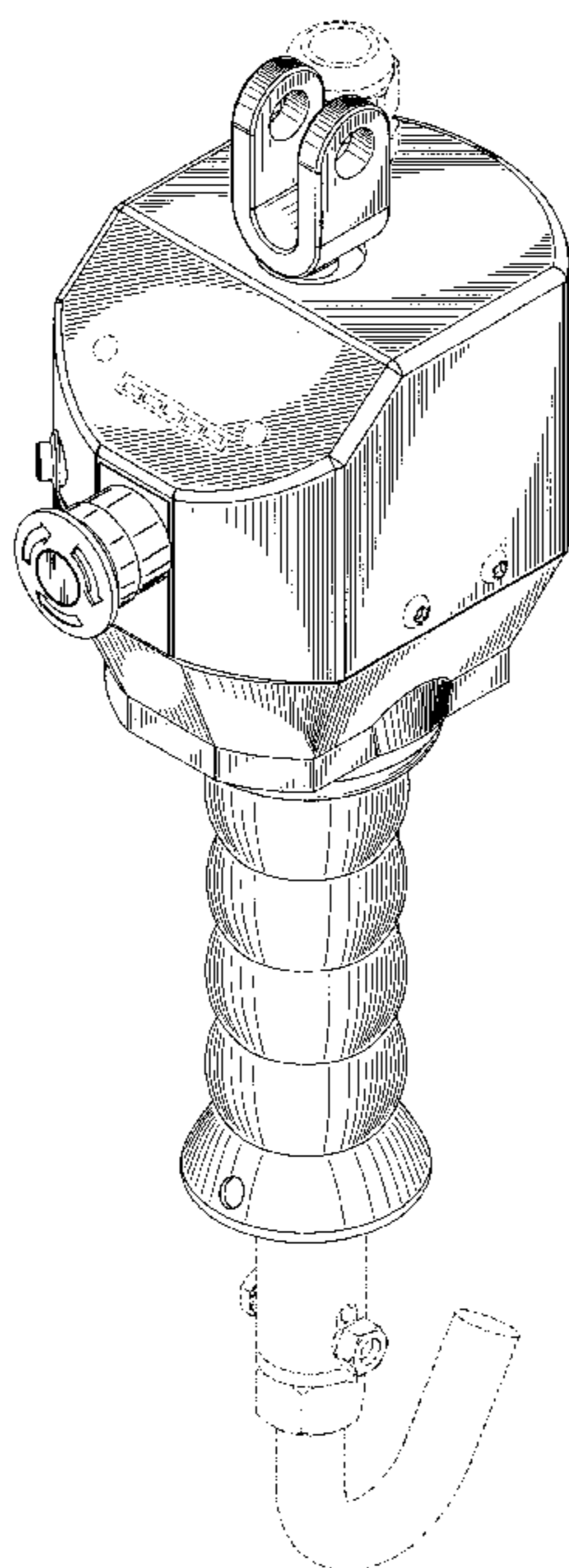
FIG. 5 is a left side elevation view of the handgrip-actuated interface;

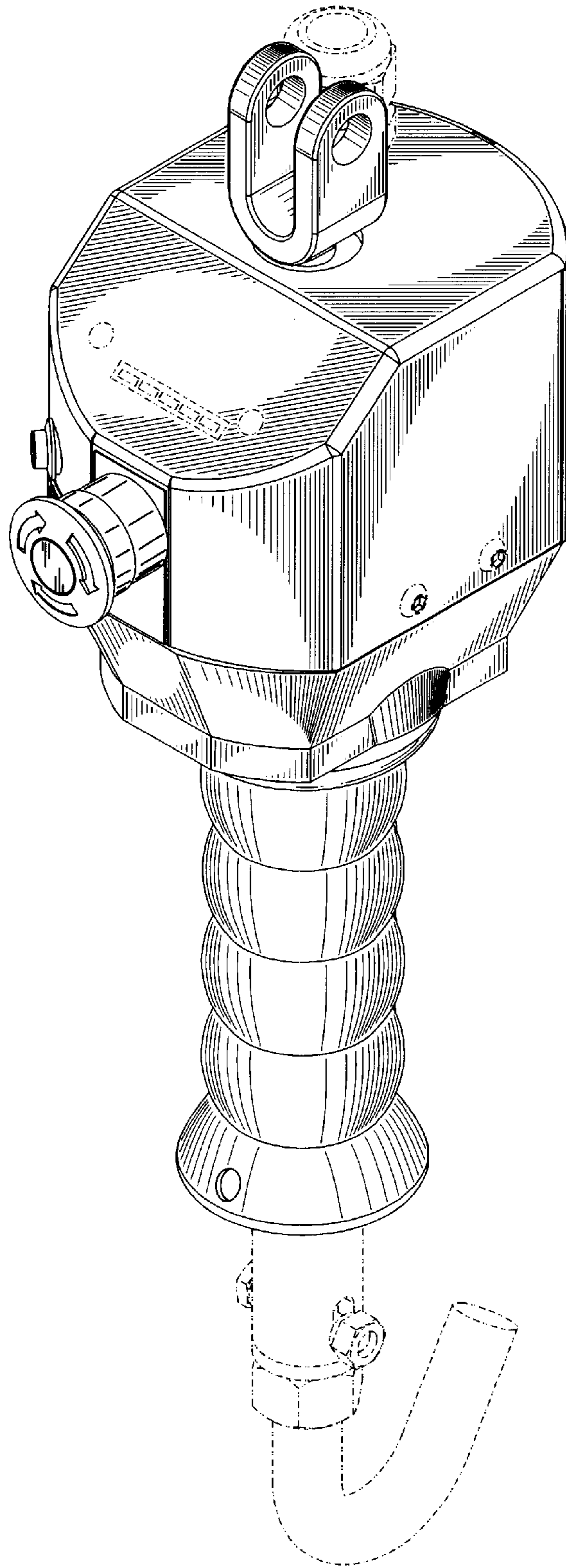
FIG. 6 is a top plan view of the handgrip-actuated interface; and,

FIG. 7 is a view looking upwardly at the handgrip-actuated interface from below.

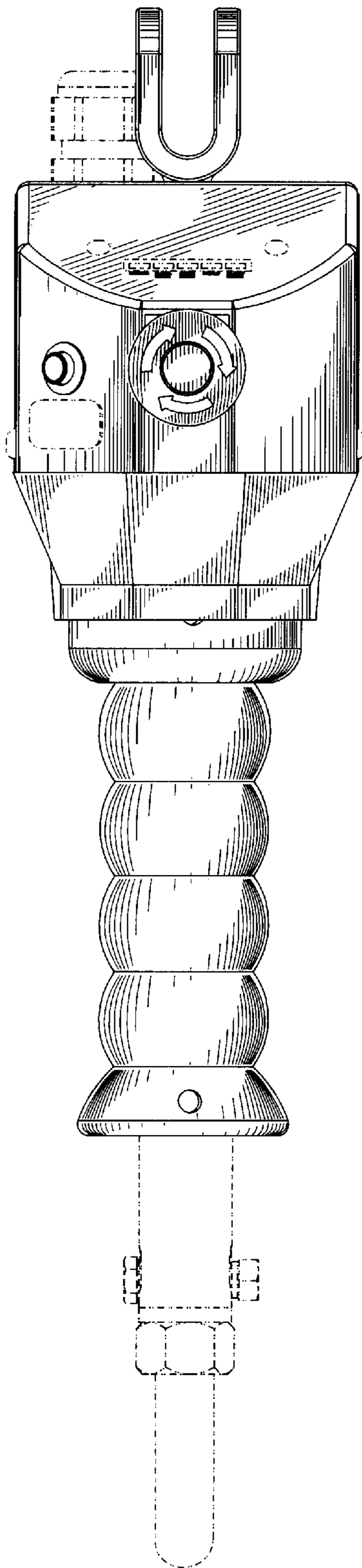
The broken-lines of FIGS. 1 through 7 depict a connector for flexible electrical conduit at the top of the device, a digital readout and fasteners on the cover near the top of the device, and a hook for lifting cargo at the bottom of the device. These broken line features are depicted for illustrative purposes only, and form no part of the claimed design.

**1 Claim, 6 Drawing Sheets**





**FIG. 1**



**FIG. 2**

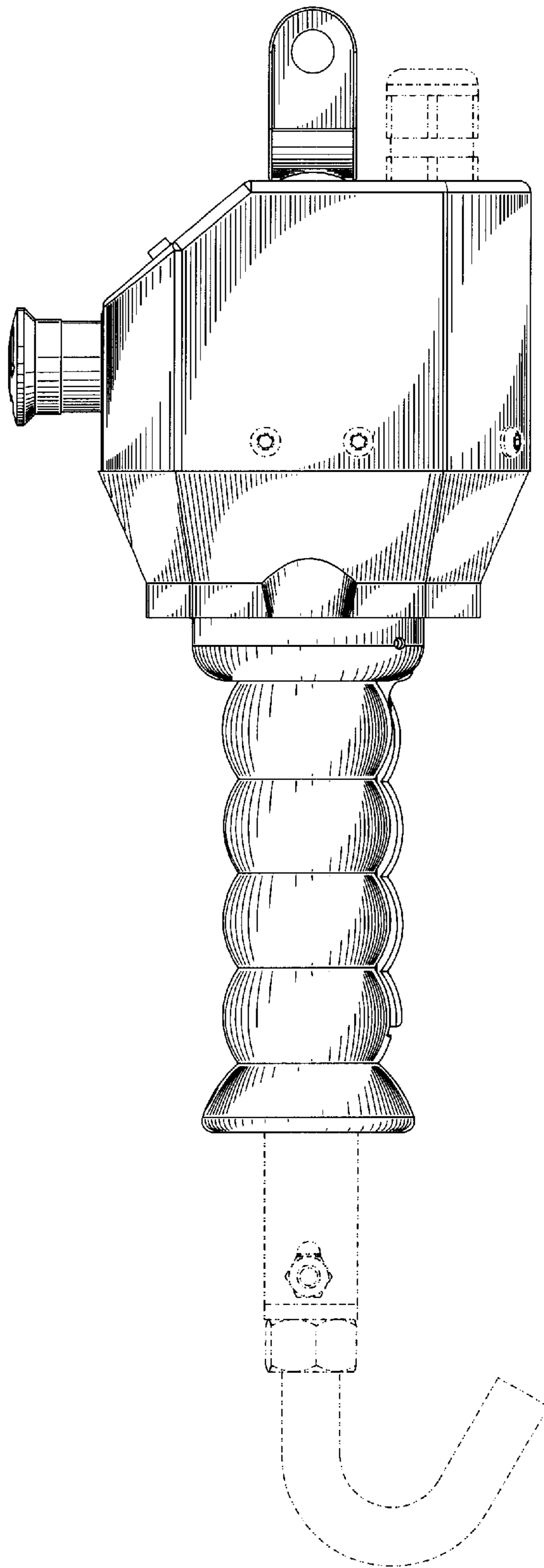
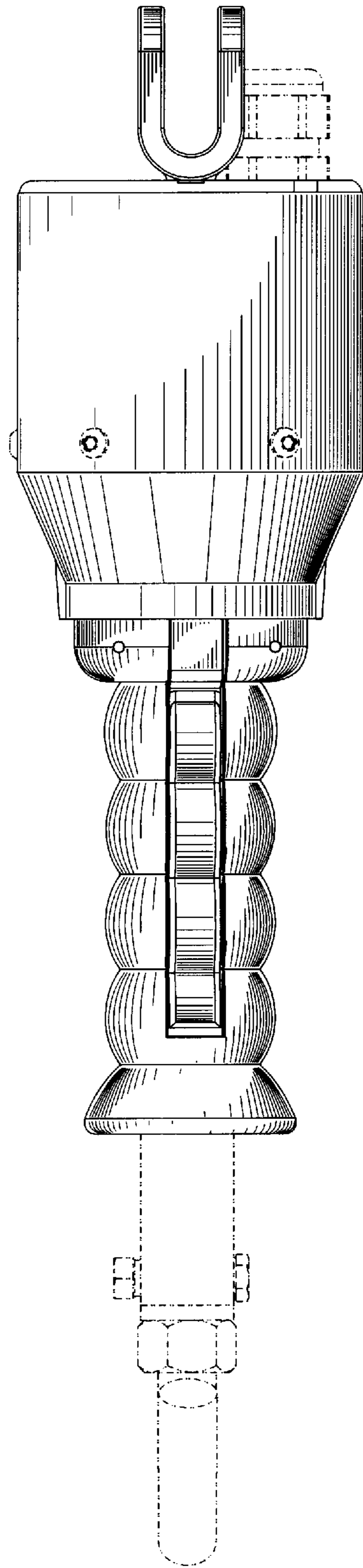
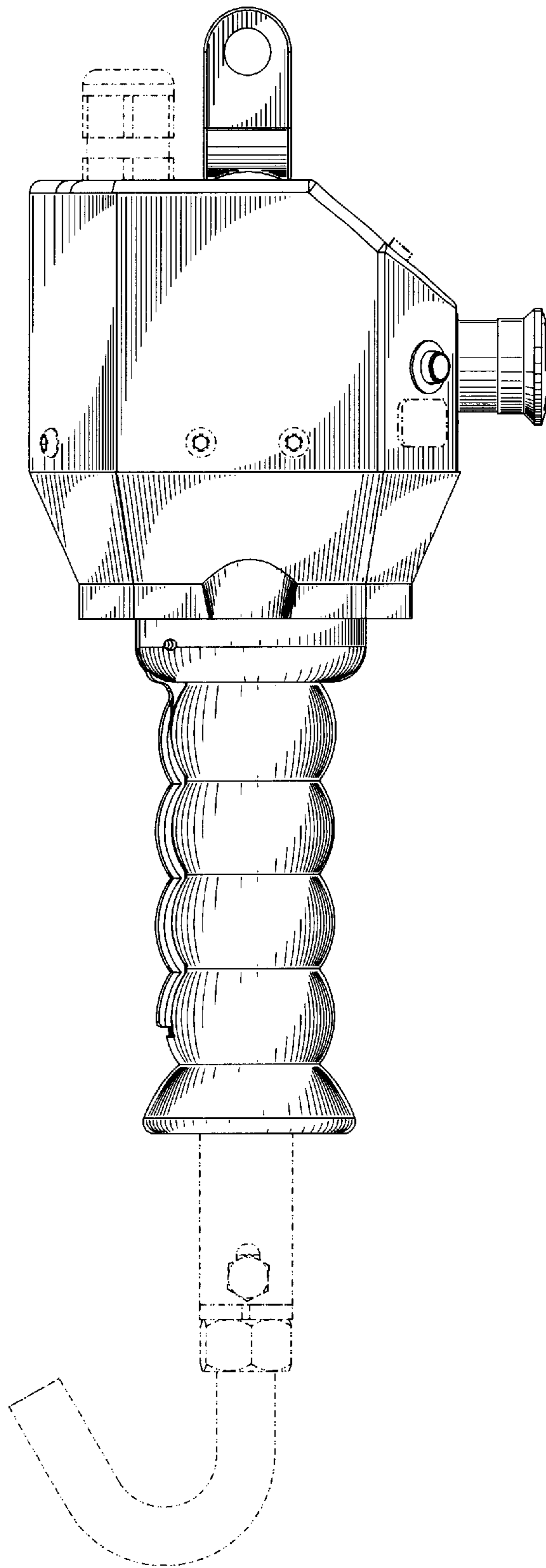


FIG. 3

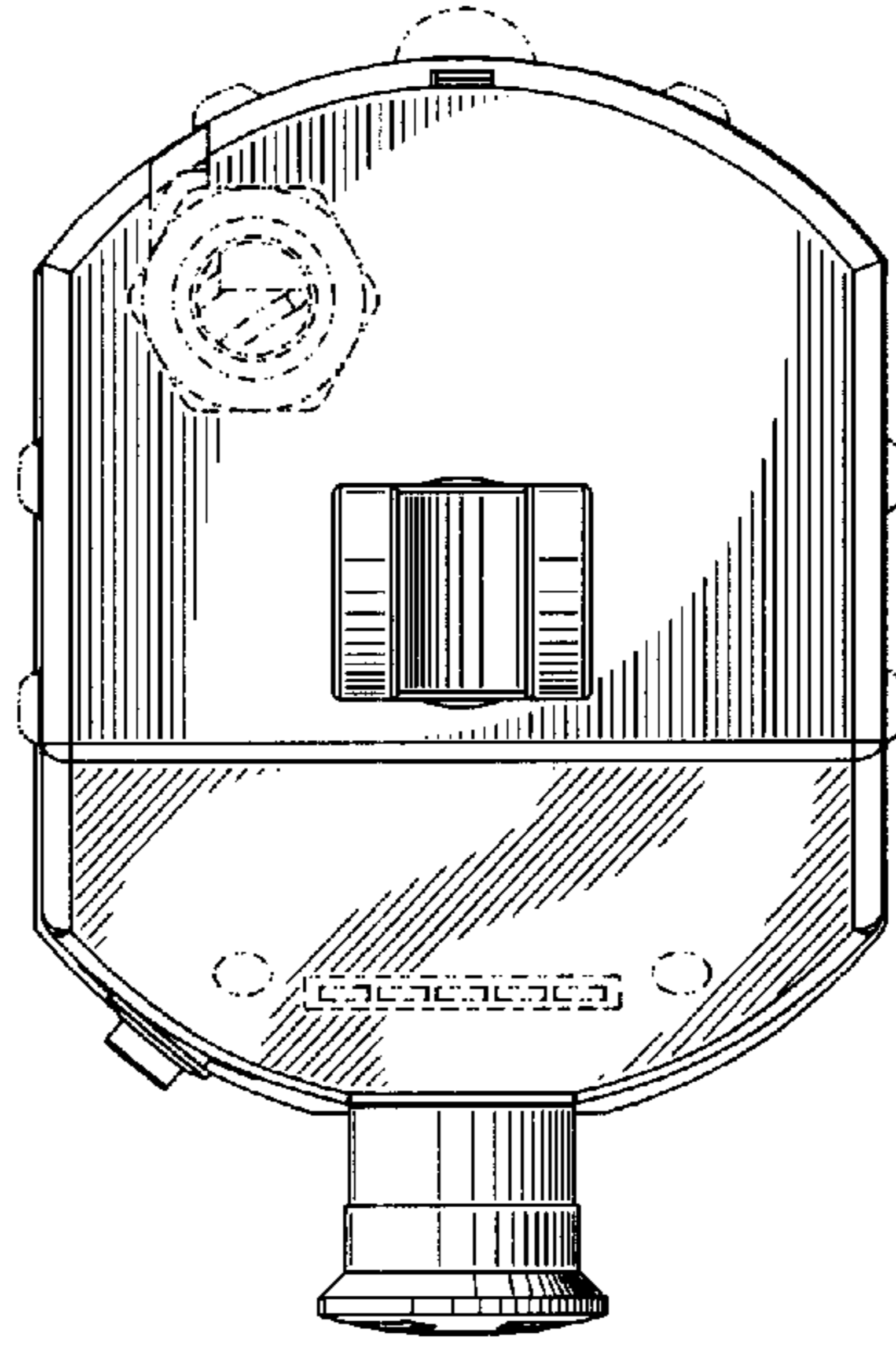


**FIG. 4**

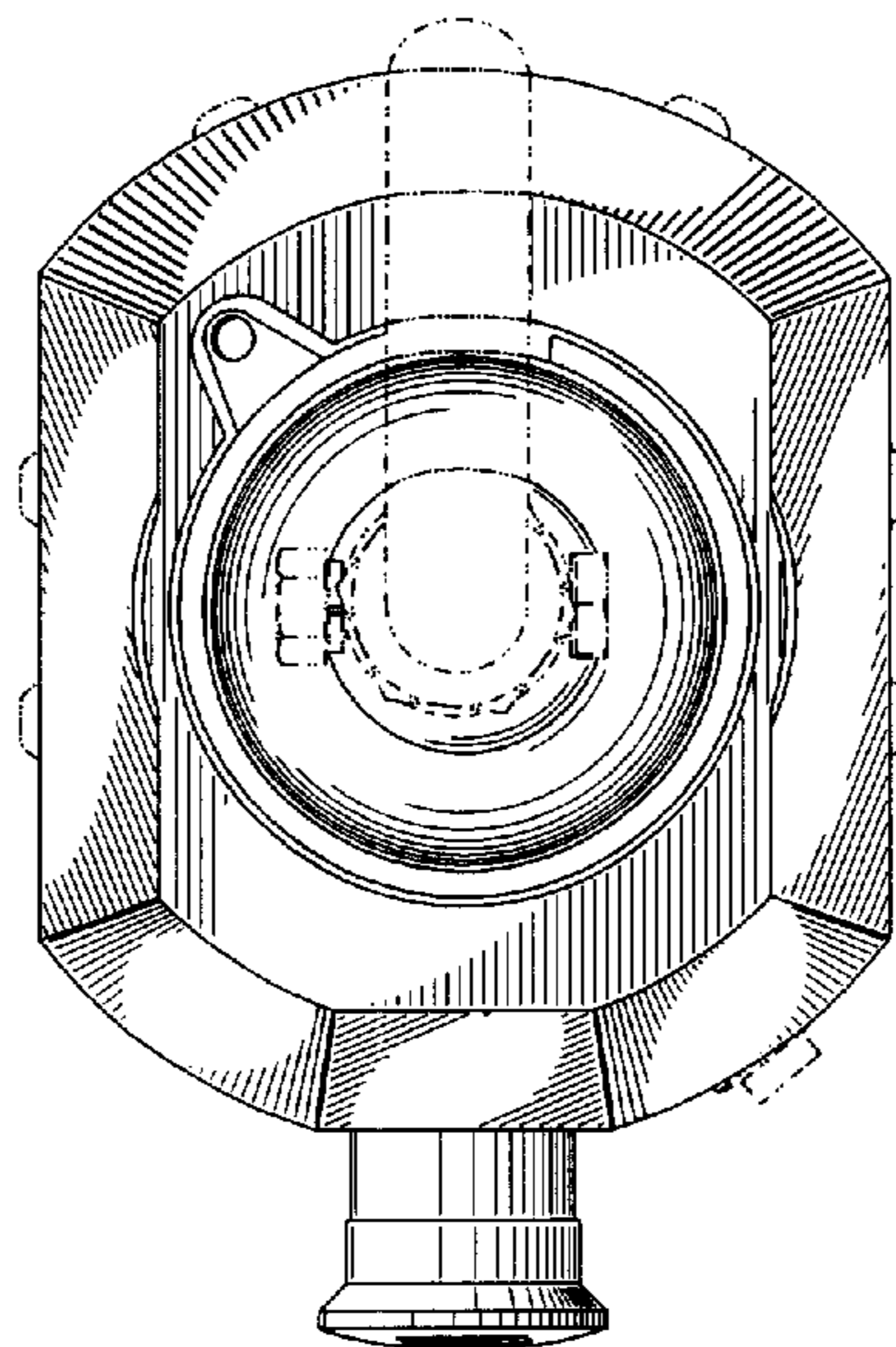




**FIG. 5**



**FIG. 6**



**FIG. 7**