



US00D477900S

(12) **United States Design Patent**
Ditmars, Jr.

(10) **Patent No.:** **US D477,900 S**

(45) **Date of Patent:** **** Jul. 29, 2003**

(54) **TRASH CAN CART**

5,040,808 A * 8/1991 McIntyre 280/47.19

(76) **Inventor:** **Ronald Glenn Ditmars, Jr., 7075**
English Creek Ave., Egg Harbor
Township, NJ (US) 08234

* cited by examiner

Primary Examiner—Kay H. Chin

(**) **Term:** **14 Years**

(57) **CLAIM**

The ornamental design for a trash can cart, as shown and described.

(21) **Appl. No.:** **29/175,498**

(22) **Filed:** **Feb. 5, 2003**

DESCRIPTION

(51) **LOC (7) Cl.** **12-02**

FIG. 1 is a top perspective view of a trash can cart showing my new design, the broken line illustration of wheels are for illustrative purposes only and form no part of the claimed design;

(52) **U.S. Cl.** **D34/24; D34/12**

FIG. 2 is a side elevational view thereof, the opposite side elevational view being a mirror image of that shown;

(58) **Field of Search** D34/12-27, 1,
D34/5, 6; 280/79.11, 79.2, 79.3, 47.19,
47.24, 47.26, 654, 47.35; 211/133, 126

FIG. 3 is a front elevational view thereof;

FIG. 4 is a rear elevational view thereof;

FIG. 5 is a top plan view thereof; and,

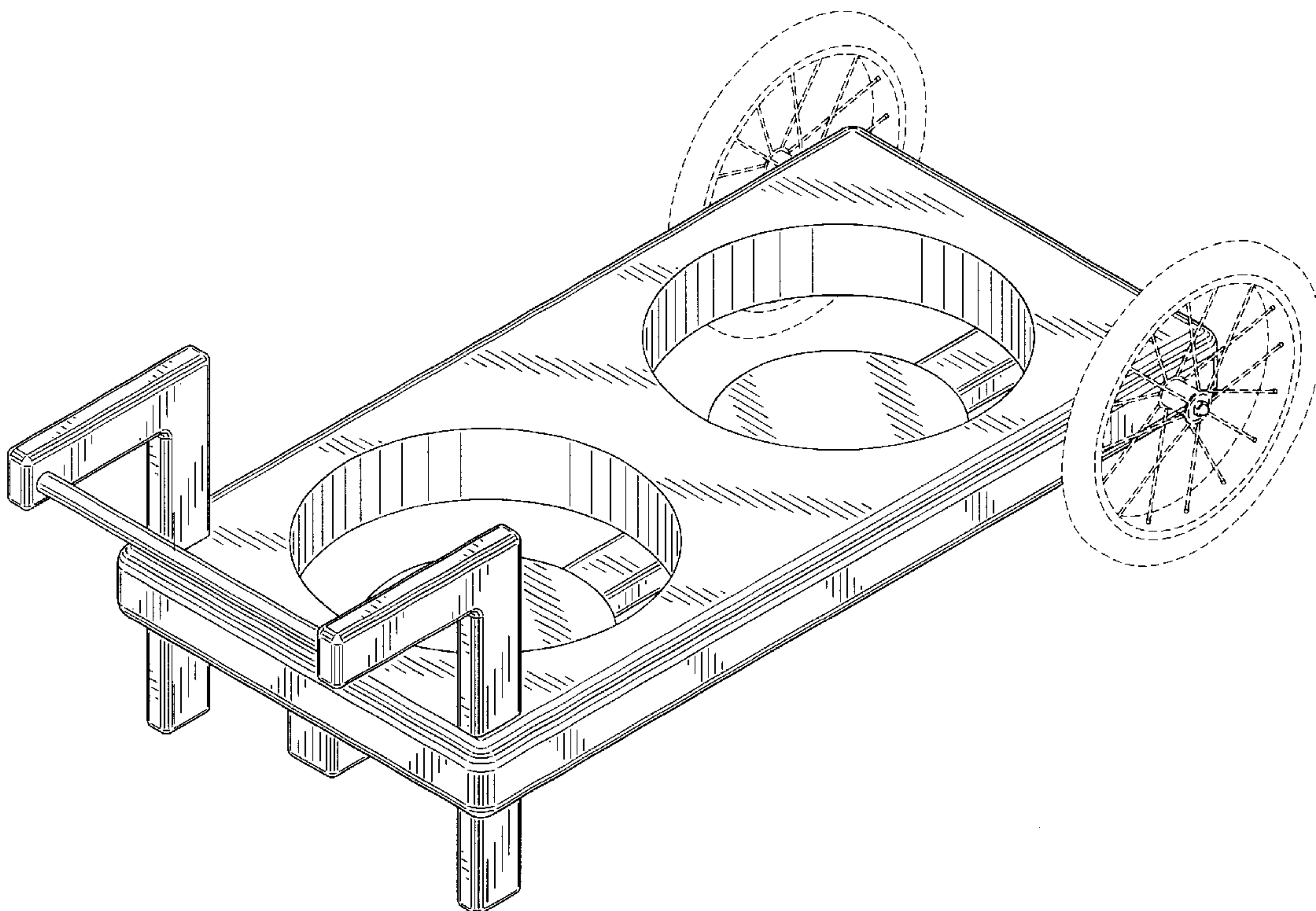
FIG. 6 is a bottom plan view thereof.

(56) **References Cited**

U.S. PATENT DOCUMENTS

- D214,491 S * 6/1969 Maris D34/18
- D299,578 S * 1/1989 Wilson D34/25
- D303,029 S * 8/1989 Friskey D34/23

1 Claim, 3 Drawing Sheets



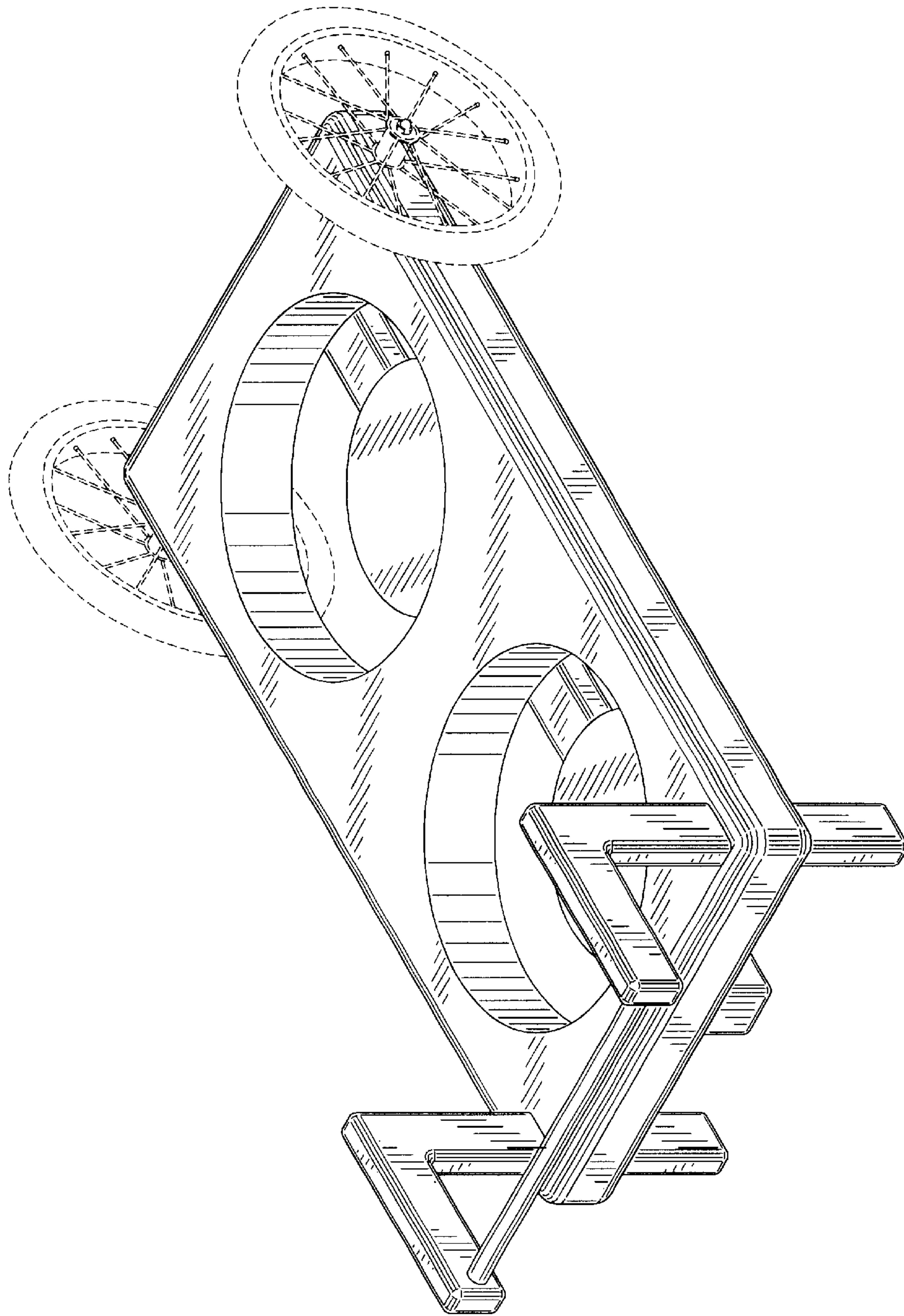


FIG. 1

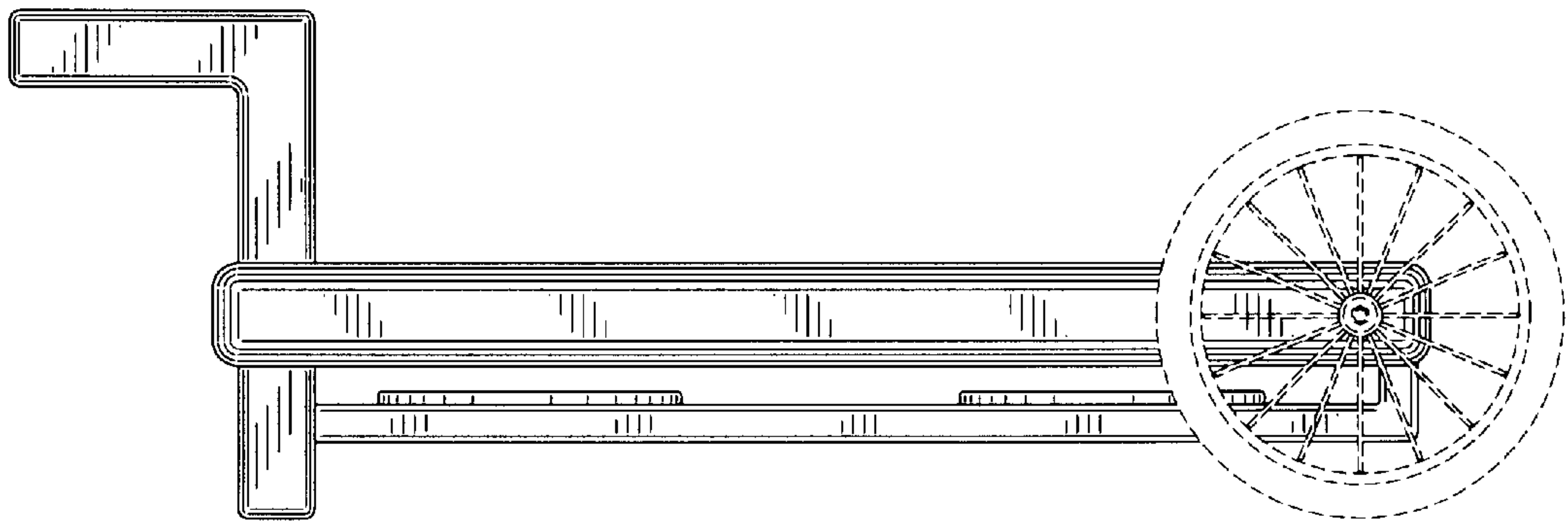


FIG. 2

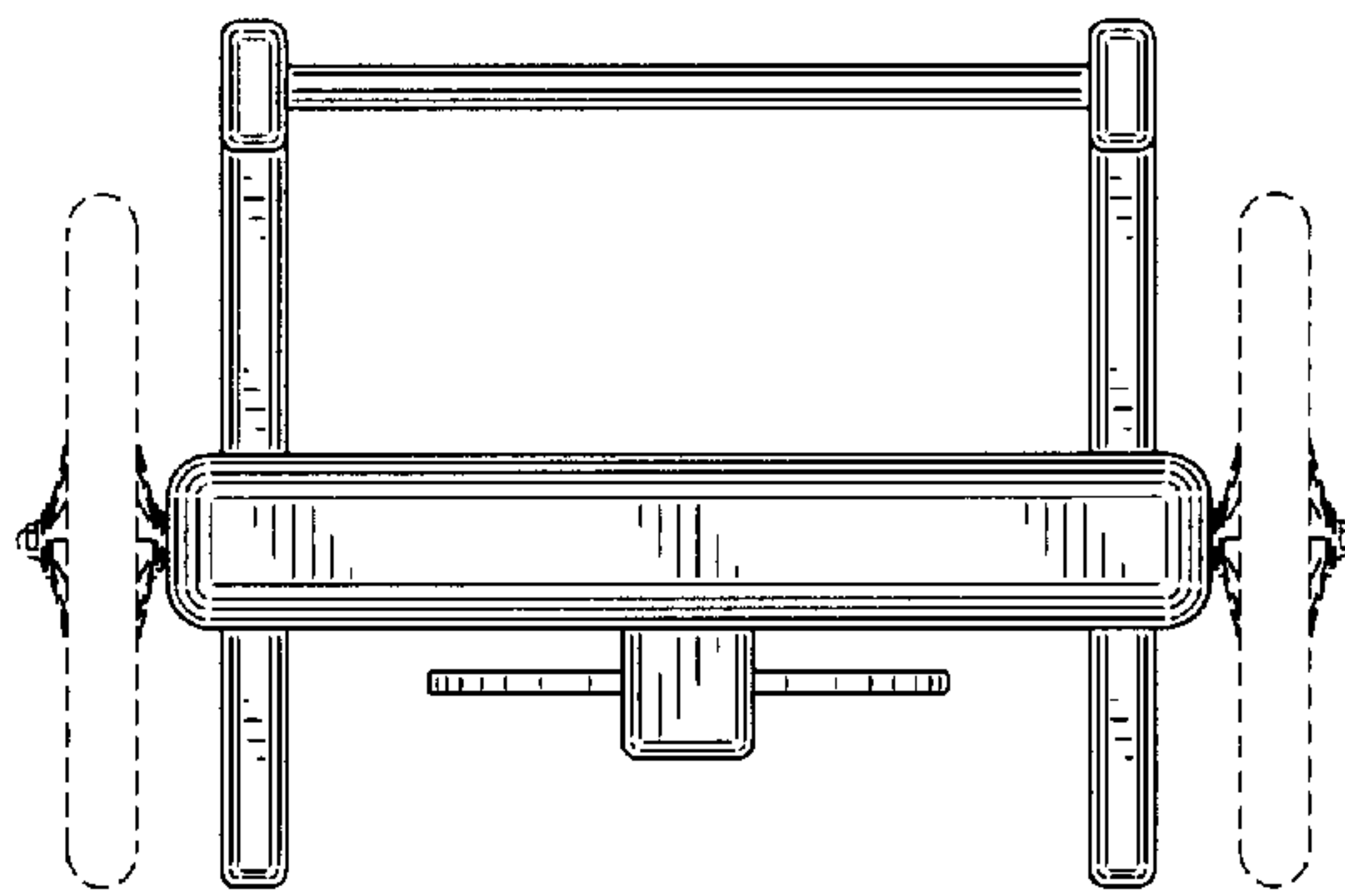


FIG. 3

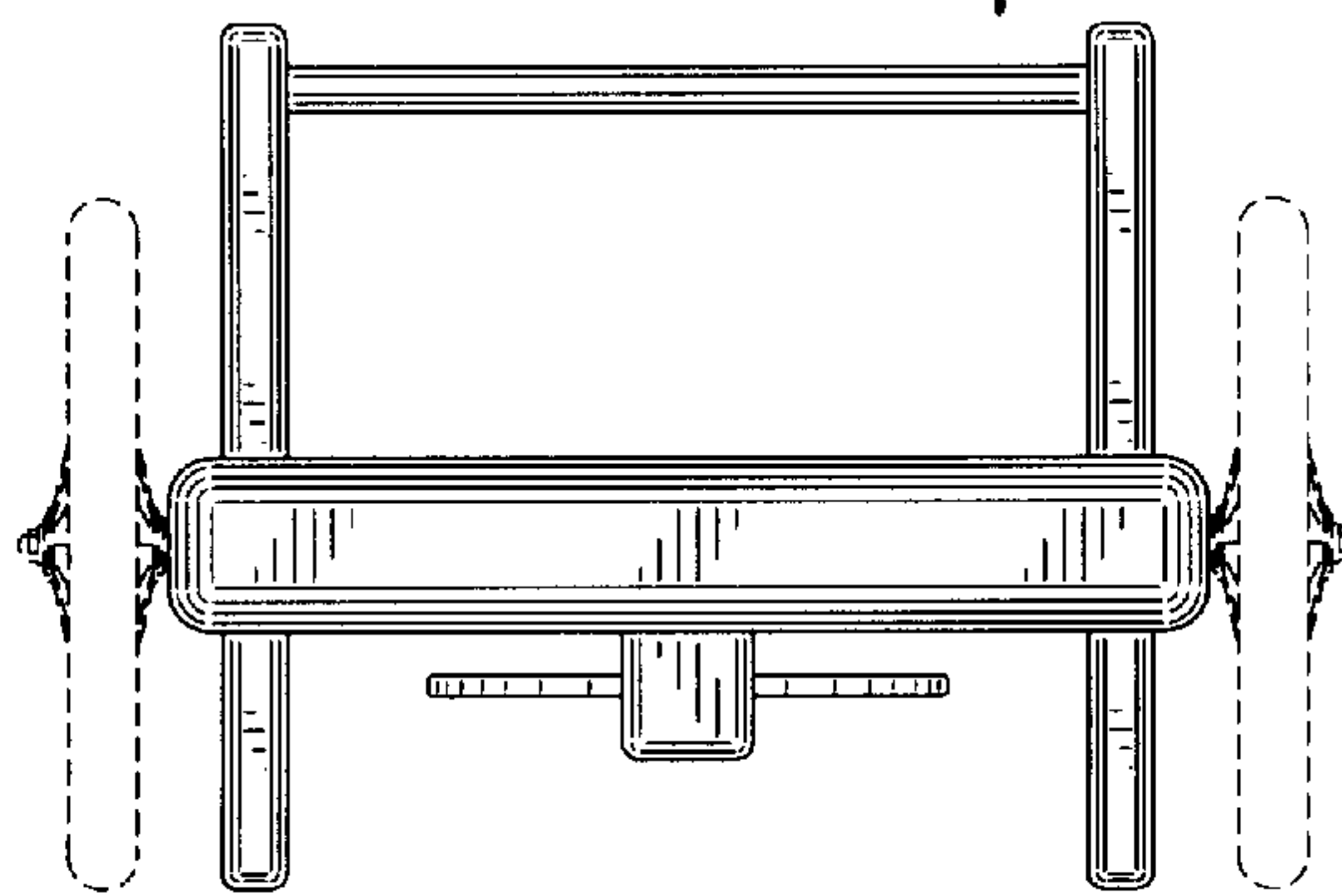


FIG. 4

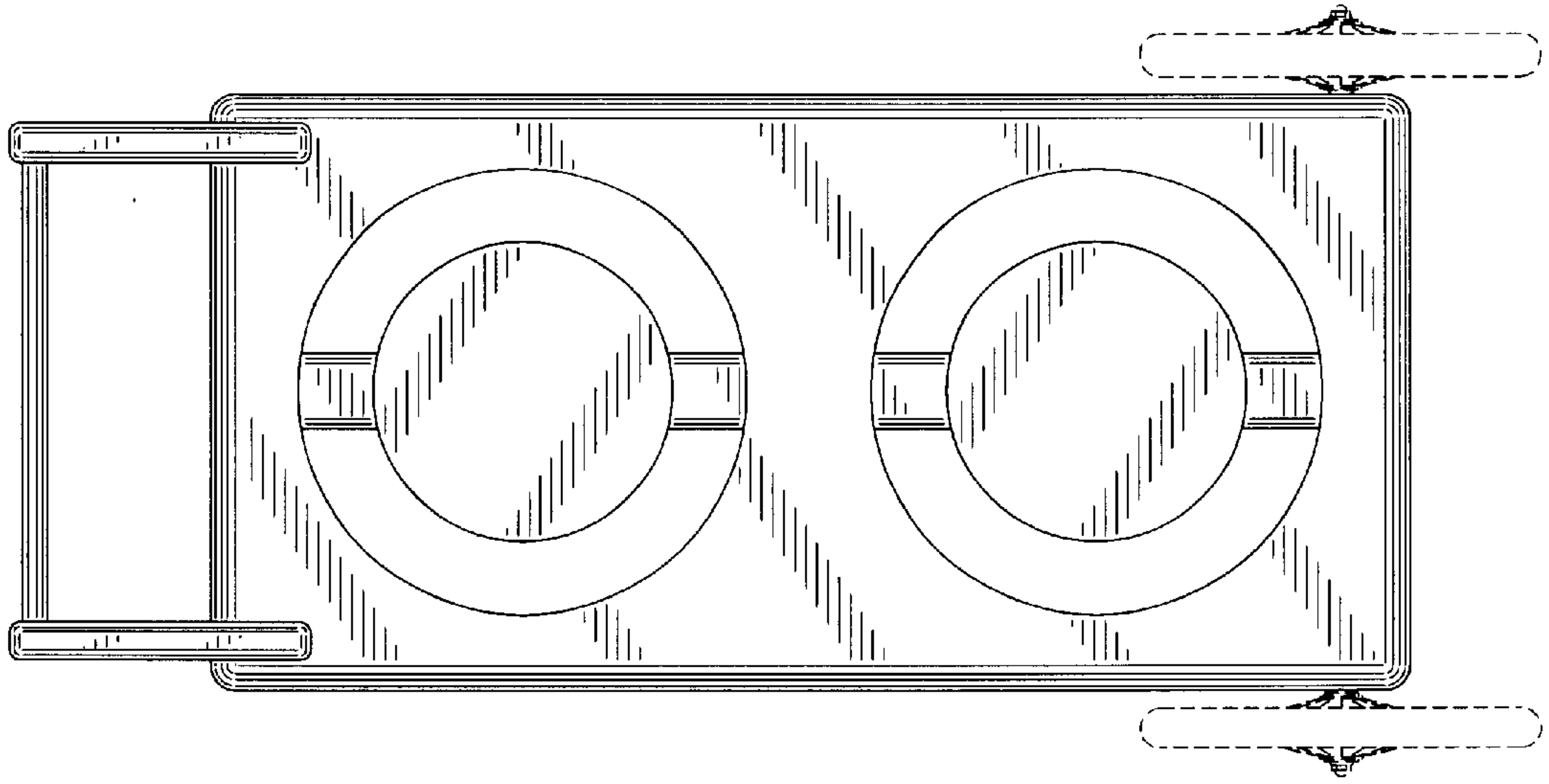


FIG. 5

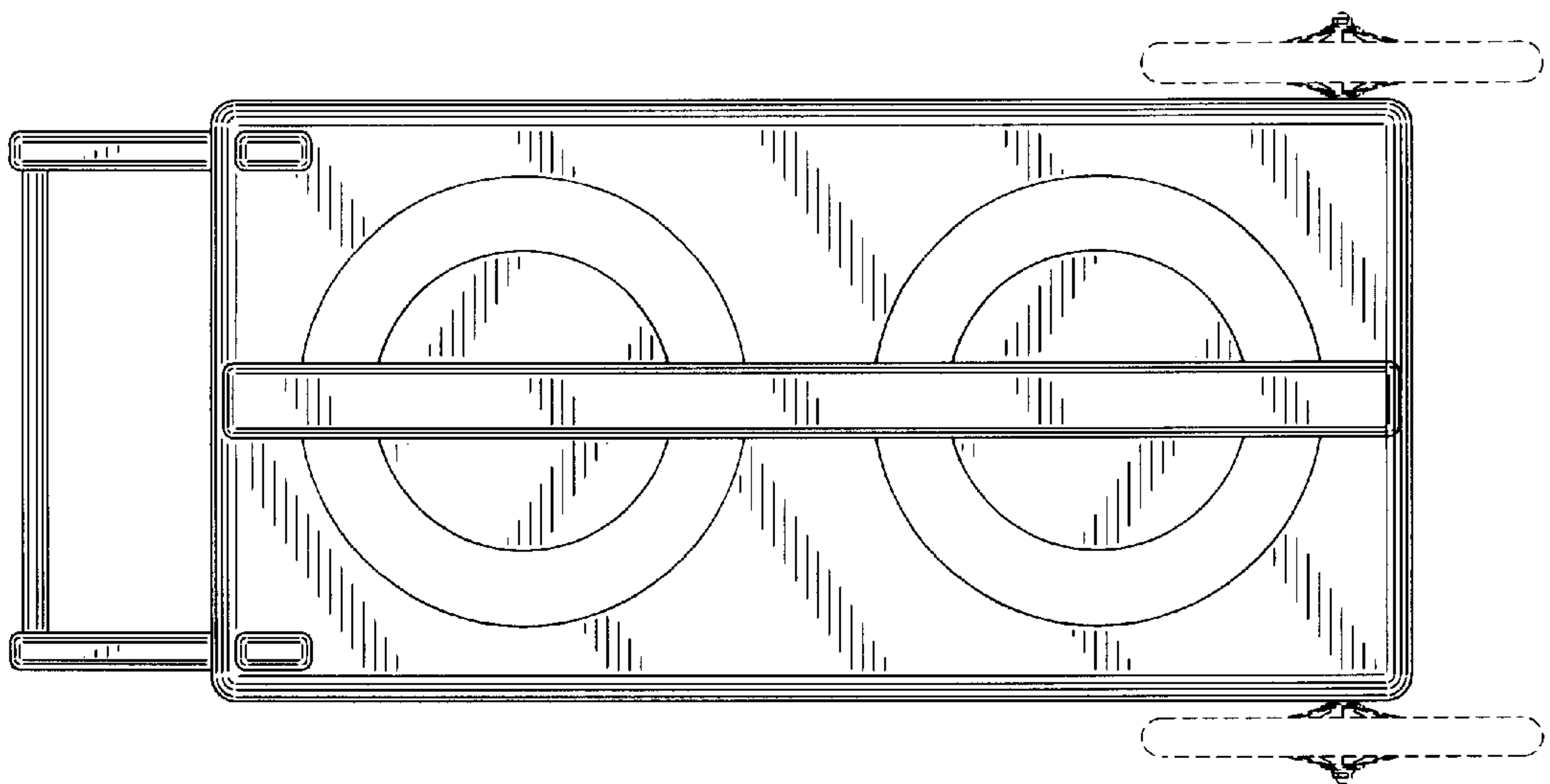


FIG. 6