



US00D477897S

(12) **United States Design Patent**
Bradford et al.

(10) **Patent No.:** **US D477,897 S**

(45) **Date of Patent:** **** Jul. 29, 2003**

(54) **FIELD MASTER CONNECTOR CLEANING SYSTEM**

D261,423 S * 10/1981 Geissler D32/1 X
D380,067 S * 6/1997 Brenneman D32/1

(75) Inventors: **Jackie Ray Bradford**, Hollister, CA (US); **John Bryan Russell**, San Jose, CA (US)

* cited by examiner

Primary Examiner—Louis S. Zarfaz
Assistant Examiner—Robert A. Delehanty
(74) *Attorney, Agent, or Firm*—Sawyer Law Group LLP

(73) Assignee: **Realm Communications Group, Inc.**, Milpitas, CA (US)

(57) **CLAIM**

(**) Term: **14 Years**

The ornamental design for a field master connector cleaning system, as shown and described.

(21) Appl. No.: **29/159,033**

DESCRIPTION

(22) Filed: **Apr. 12, 2002**

(51) **LOC (7) Cl.** **15-05**

(52) **U.S. Cl.** **D32/1**

(58) **Field of Search** D32/15-23, 25,
D32/30-33, 1; 15/28, 87, 246.2, 256.52,
327.6, 327.7, 347, 415.1, 345

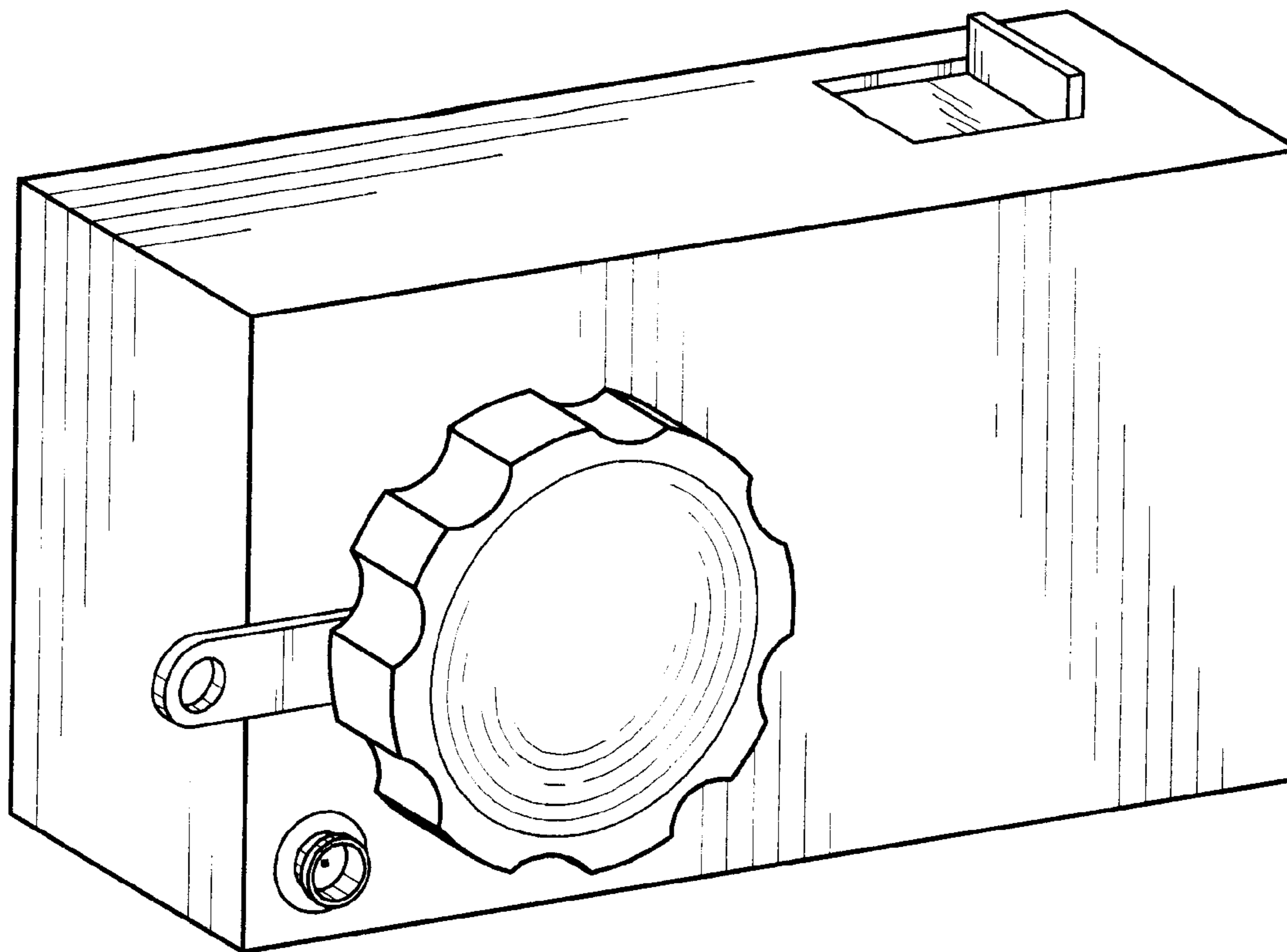
FIG. 1 is a front perspective view of the cleaning system.
FIG. 2 is a back perspective view of the cleaning system.
FIG. 3 is a front view of the cleaning system.
FIG. 4 is a back view of the cleaning system.
FIG. 5 is a top view of the cleaning system.
FIG. 6 is a bottom view of the cleaning system.
FIG. 7 is a first side view of the cleaning system; and,
FIG. 8 is a second side view of the cleaning system.

(56) **References Cited**

U.S. PATENT DOCUMENTS

D245,607 S * 8/1977 Morrical D32/1

1 Claim, 4 Drawing Sheets



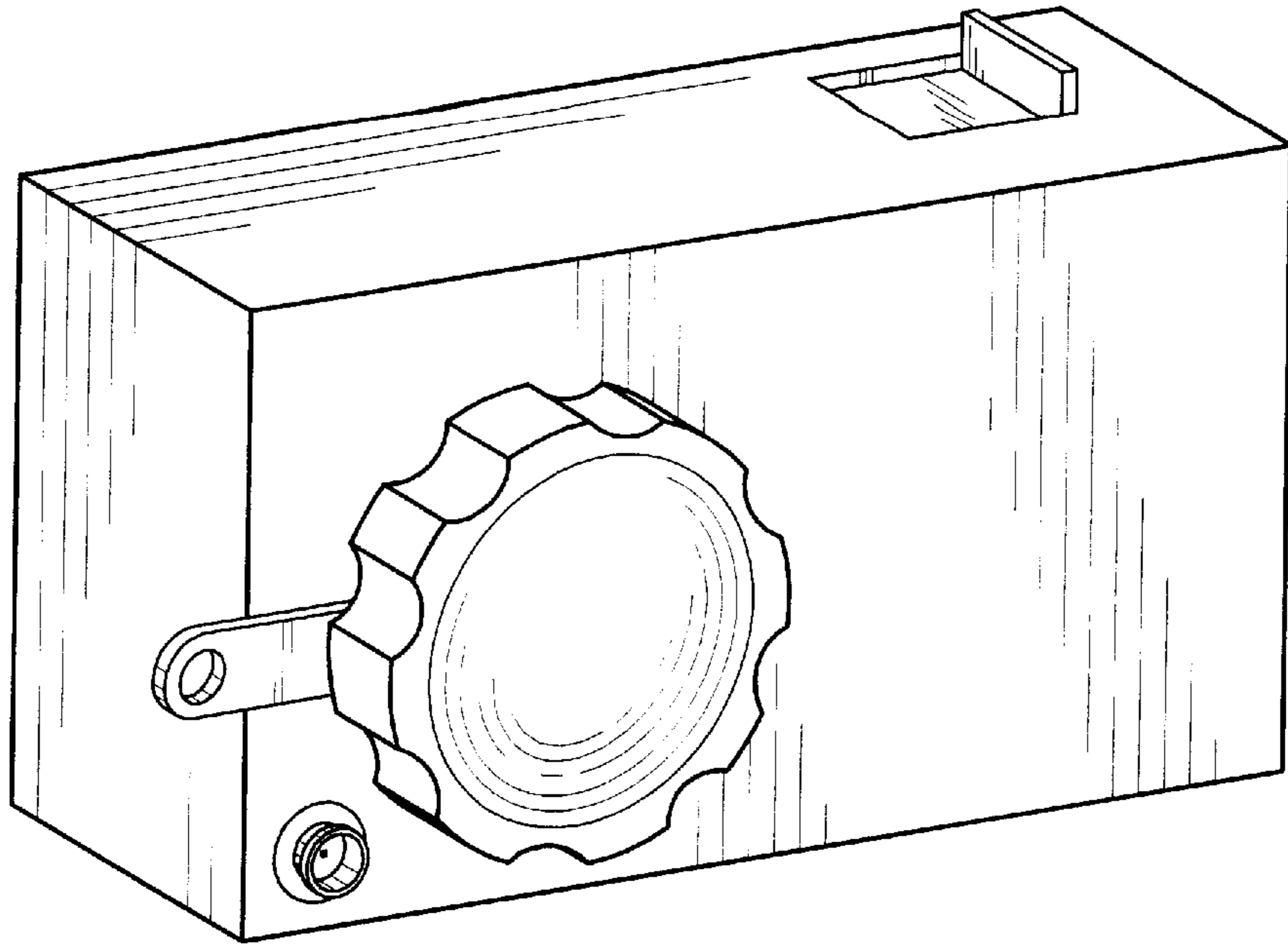


FIG. 1

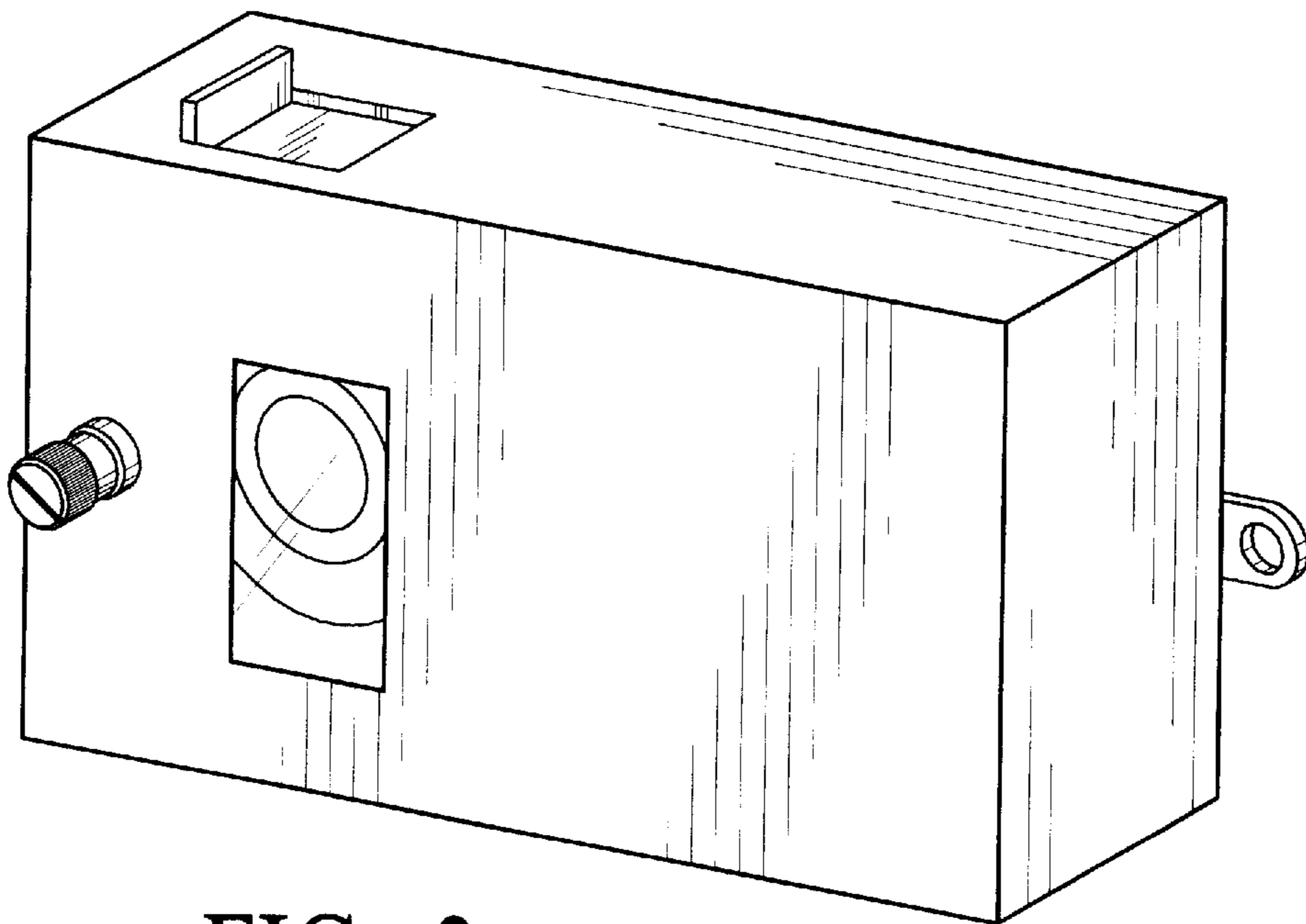


FIG. 2

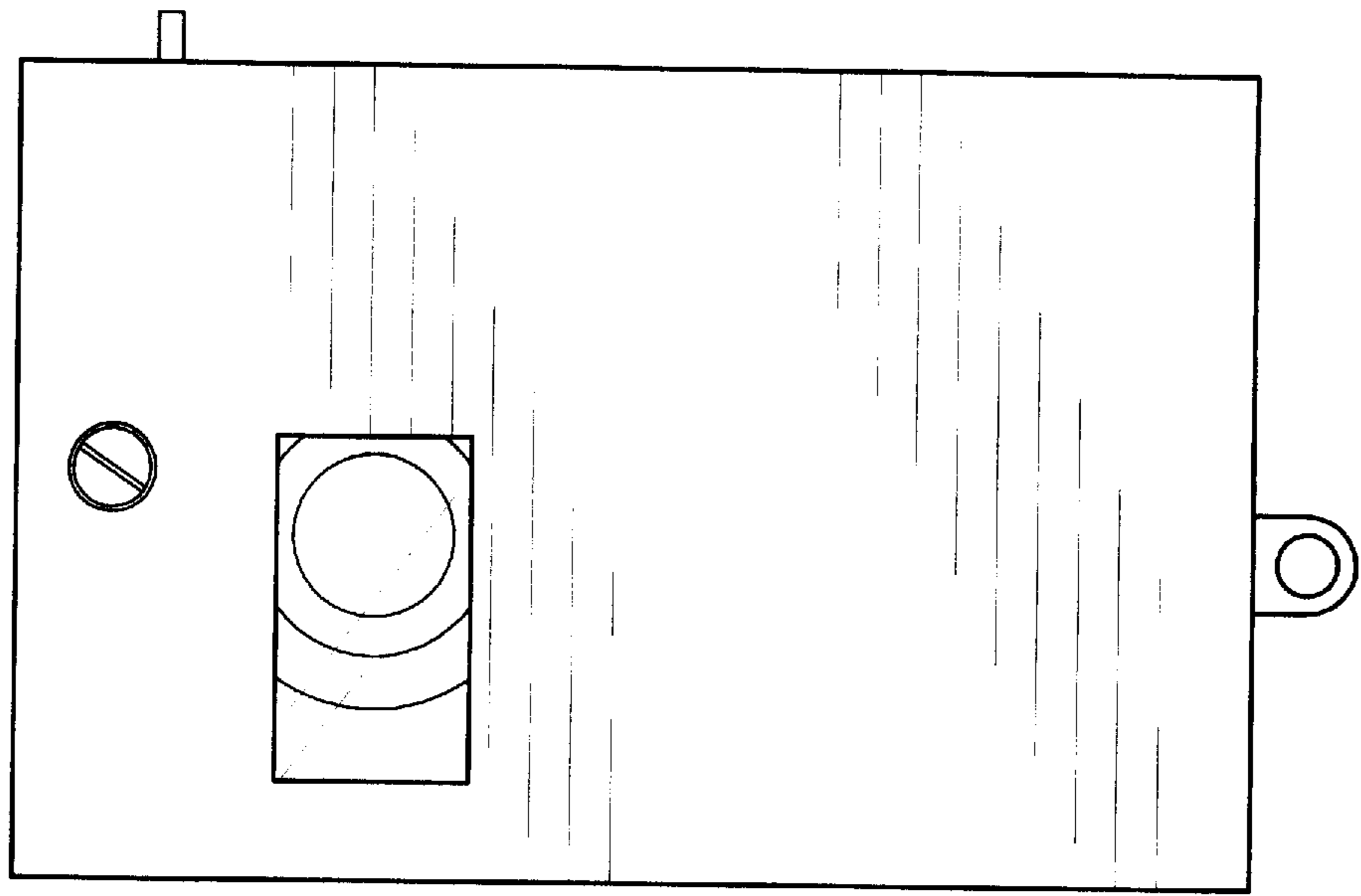


FIG. 3

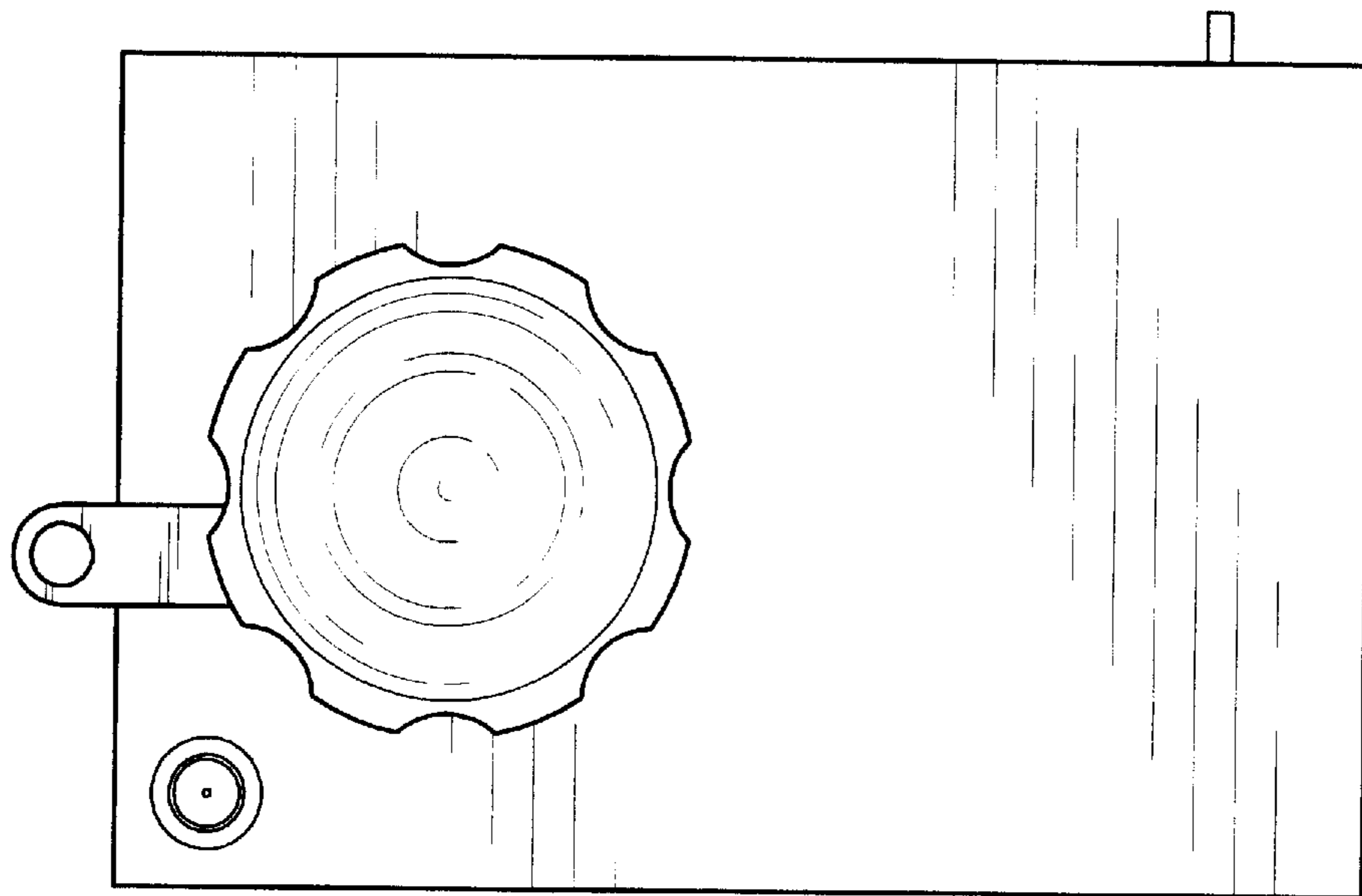


FIG. 4

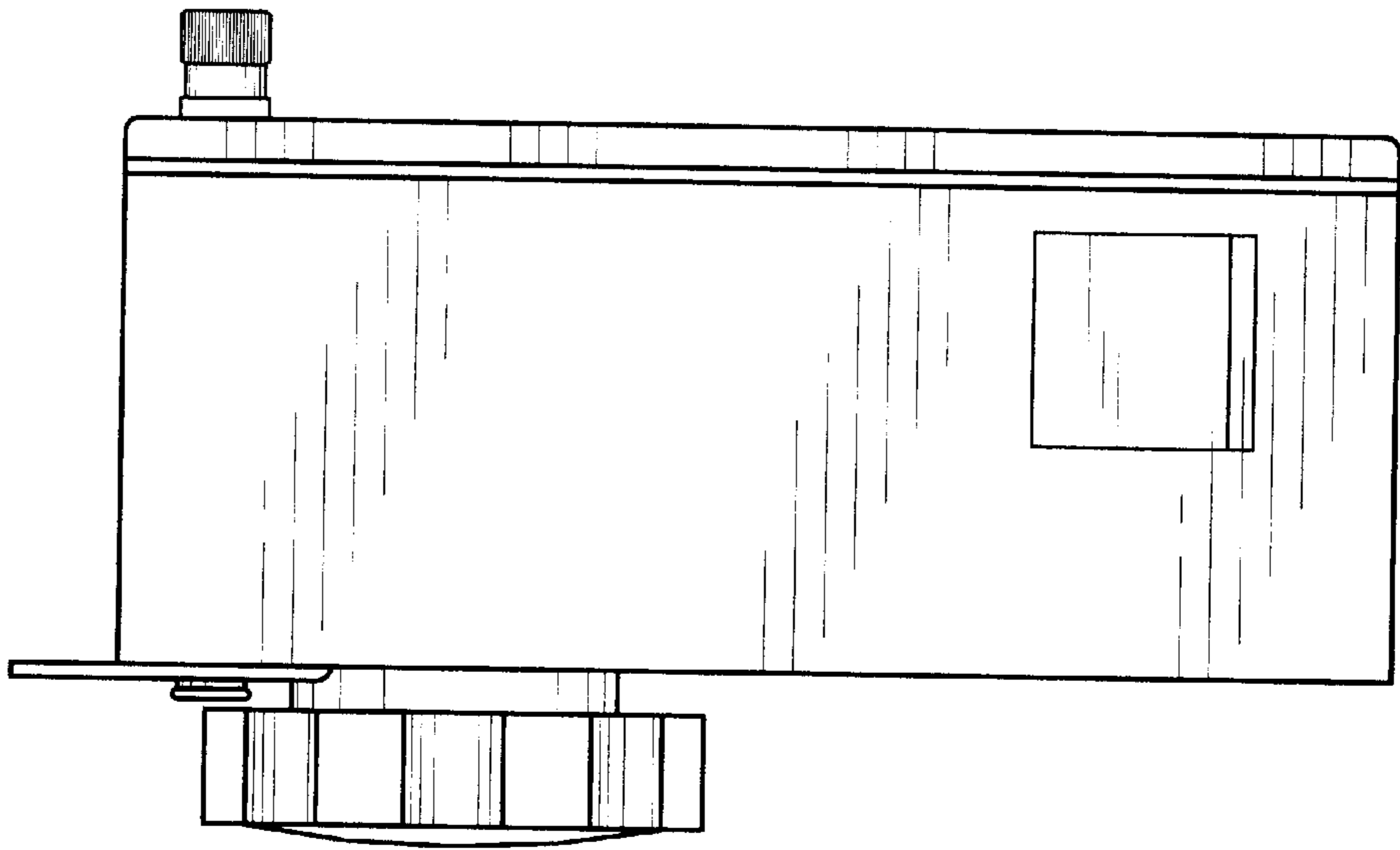


FIG. 5

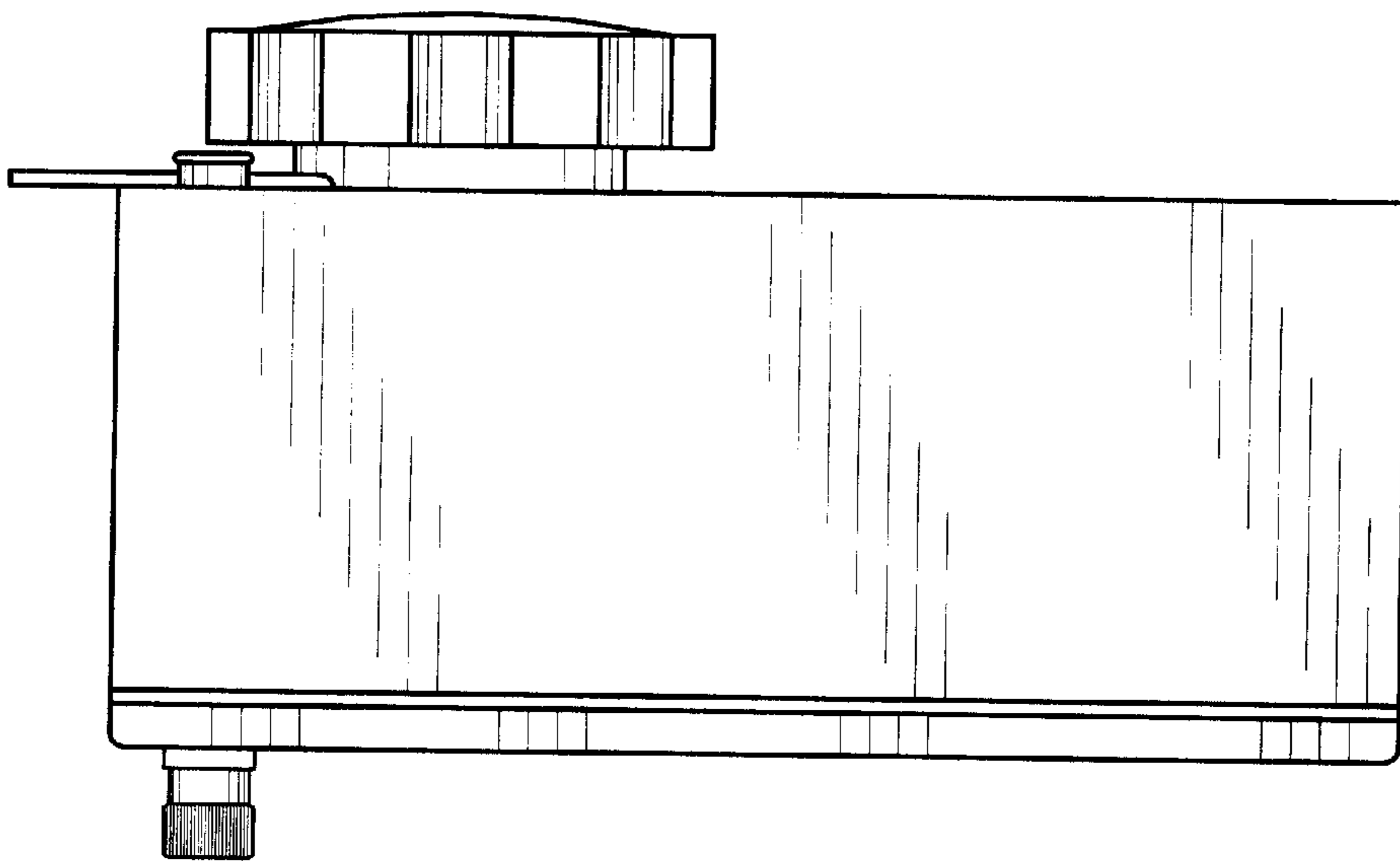


FIG. 6

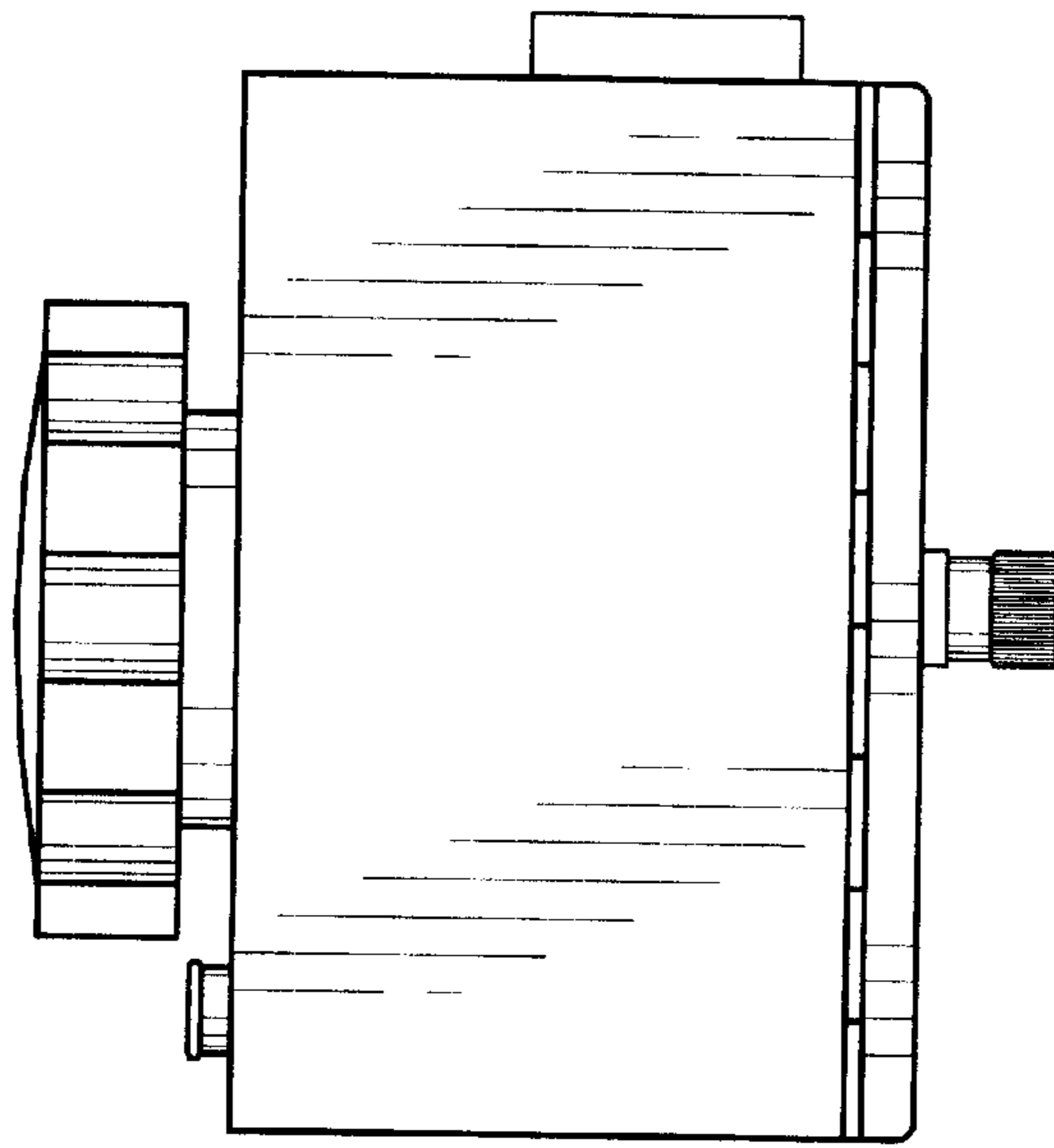


FIG. 7

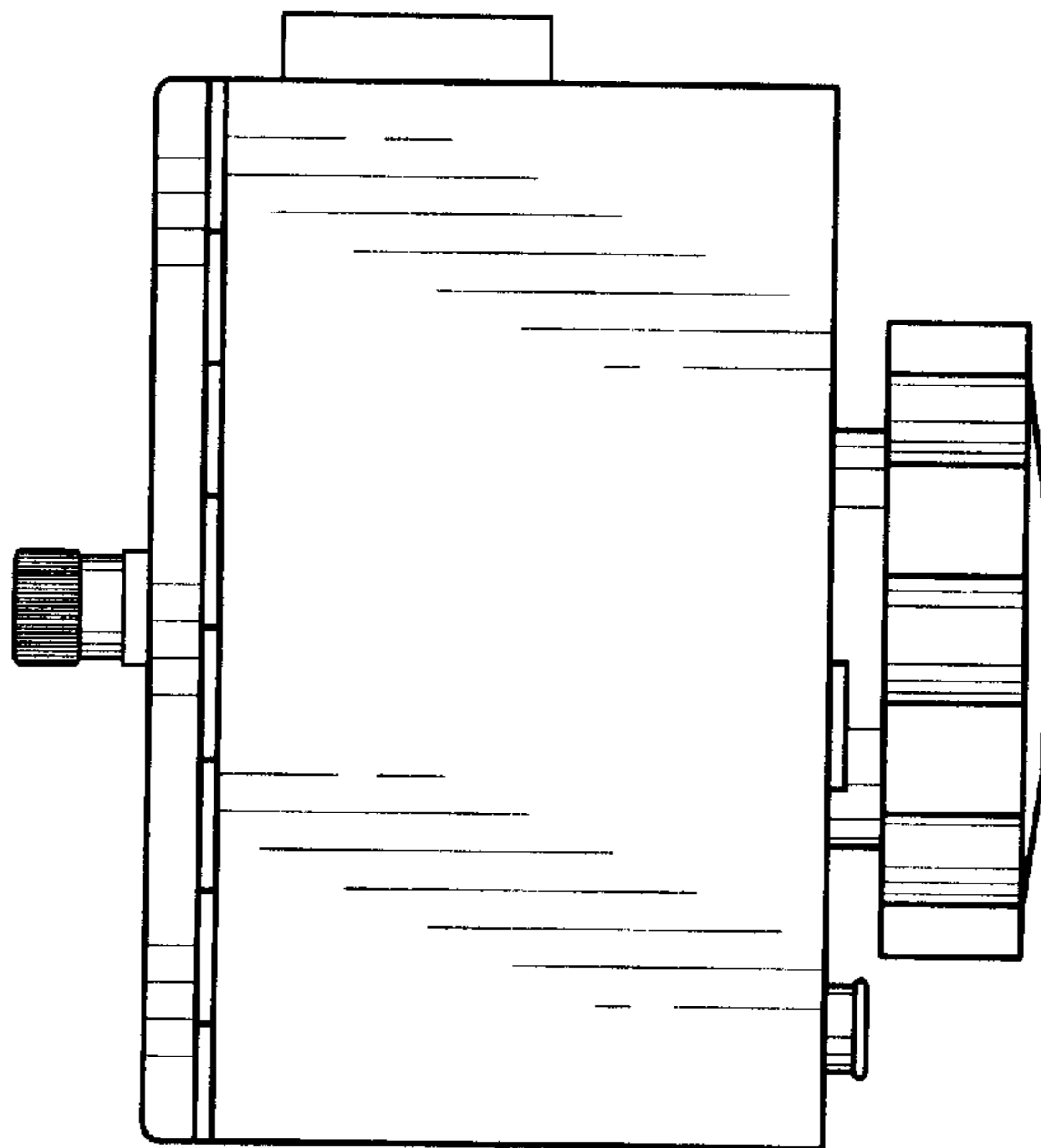


FIG. 8