



US00D477888S

(12) **United States Design Patent**
Kovacik et al.

(10) **Patent No.:** **US D477,888 S**

(45) **Date of Patent:** **** Jul. 29, 2003**

(54) **LIGHT HANDLE WITH CIRCUIT BREAKER AND MAGNETIC HOLDER**

(75) Inventors: **James D. Kovacik**, Brecksville, OH (US); **Paul S. Blanch**, Broadview Heights, OH (US); **Joseph J. Smith**, Wooster, OH (US)

(73) Assignee: **Alert Safety Lite Products Co., Inc.**, Bedford Hts., OH (US)

(**) Term: **14 Years**

(21) Appl. No.: **29/160,661**

(22) Filed: **May 15, 2002**

(51) **LOC (7) Cl.** **26-02**

(52) **U.S. Cl.** **D26/38**

(58) **Field of Search** D26/37-50; D8/98, D8/99, 107; D22/118; 362/109, 119, 120, 183-208

(56) **References Cited**

U.S. PATENT DOCUMENTS

4,019,047 A	4/1977	Frey
4,321,660 A	3/1982	Sokol
4,774,647 A	9/1988	Kovacik et al.
5,301,093 A	4/1994	Baggio
5,465,196 A	11/1995	Hasenberg et al.
D367,542 S	2/1996	Kovacik et al.
5,528,477 A	6/1996	Carmo
D389,931 S	1/1998	Kovacik et al.

D409,776 S	5/1999	Ghode et al.
5,921,658 A	7/1999	Kovacik et al.
D422,727 S	* 4/2000	McCalla et al. D26/38
D430,726 S	* 9/2000	Burbrink D26/38
6,123,434 A	9/2000	Meltzer
6,170,966 B1	1/2001	Schwarzmann
D439,495 S	* 3/2001	McCalla et al. D26/38

* cited by examiner

Primary Examiner—Marcus A. Jackson

(74) *Attorney, Agent, or Firm*—MacMillan, Sobanski & Todd, LLC

(57) **CLAIM**

We claim the ornamental design for the light handle with circuit breaker and magnetic holder, as shown and described.

DESCRIPTION

FIG. 1 is a perspective view of the light handle with circuit breaker and magnetic holder of the present invention with the magnetic holder detached;

FIG. 2 is another perspective view of the light handle with circuit breaker and magnetic holder of the present invention with the magnetic holder attached;

FIG. 3 is a right side elevation view thereof;

FIG. 4 is a rear elevation view thereof;

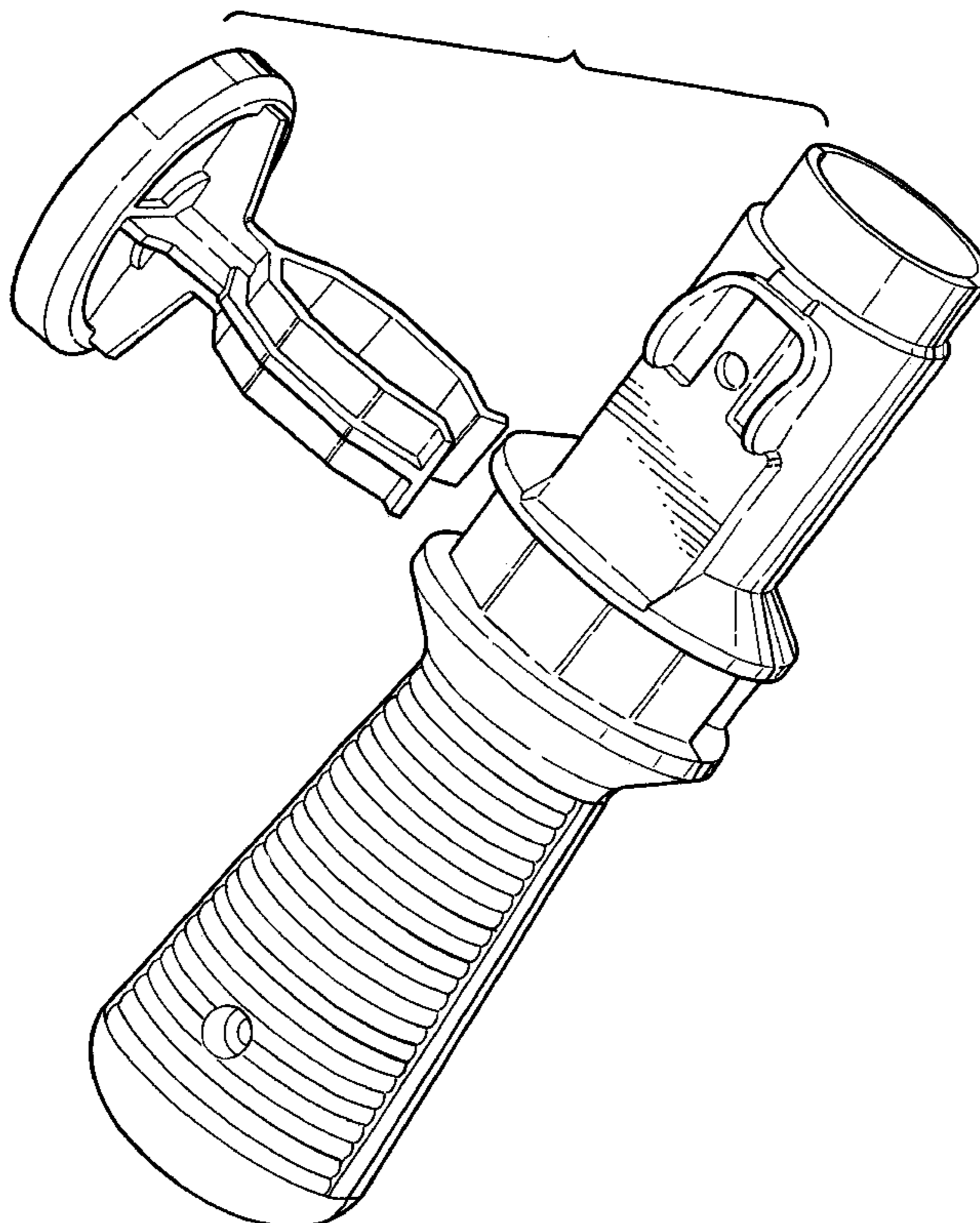
FIG. 5 is a left side elevation view thereof;

FIG. 6 is a front elevation view thereof;

FIG. 7 is a top plan view thereof; and,

FIG. 8 is a bottom plan view thereof.

1 Claim, 3 Drawing Sheets



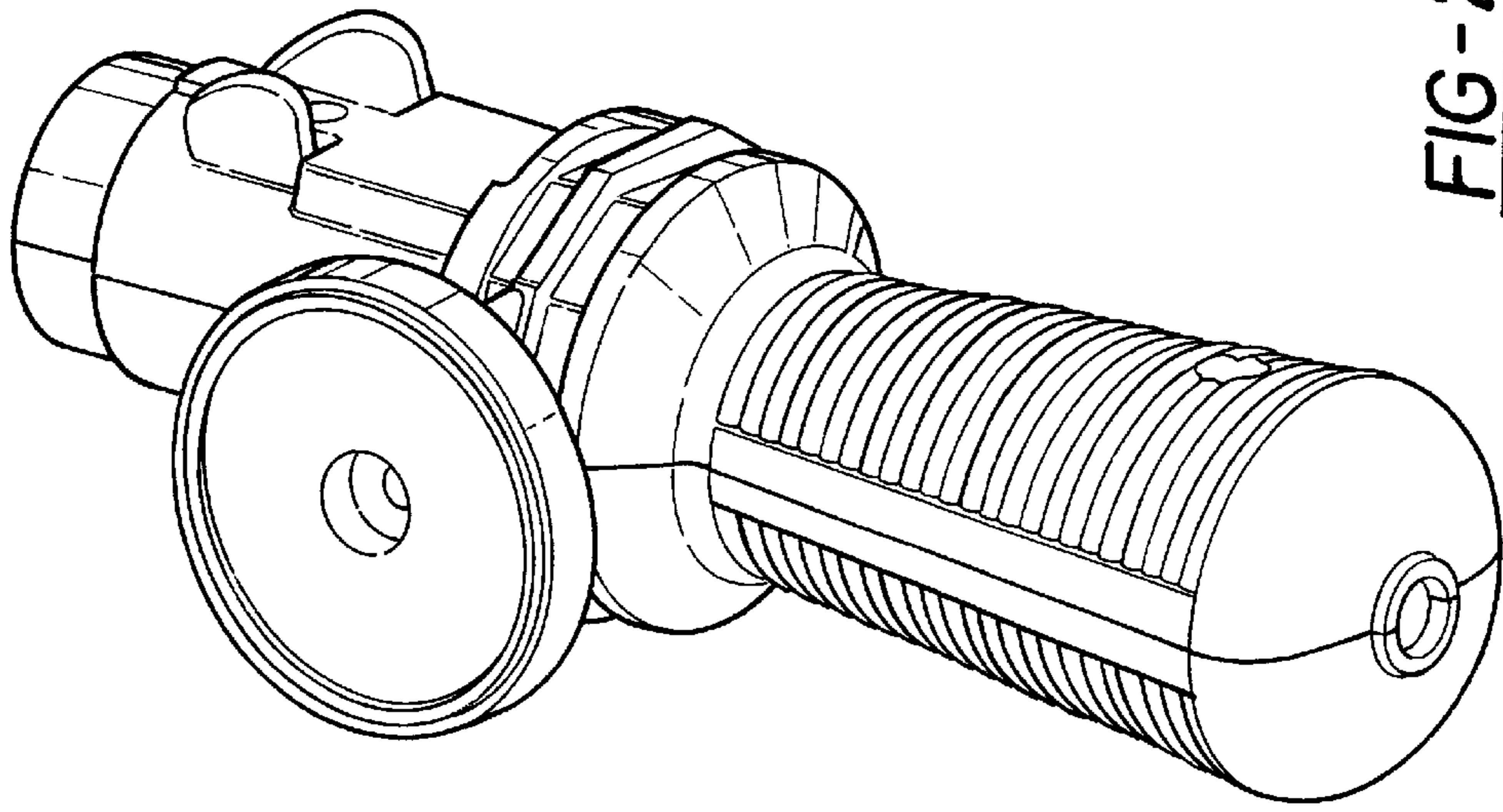


FIG-2

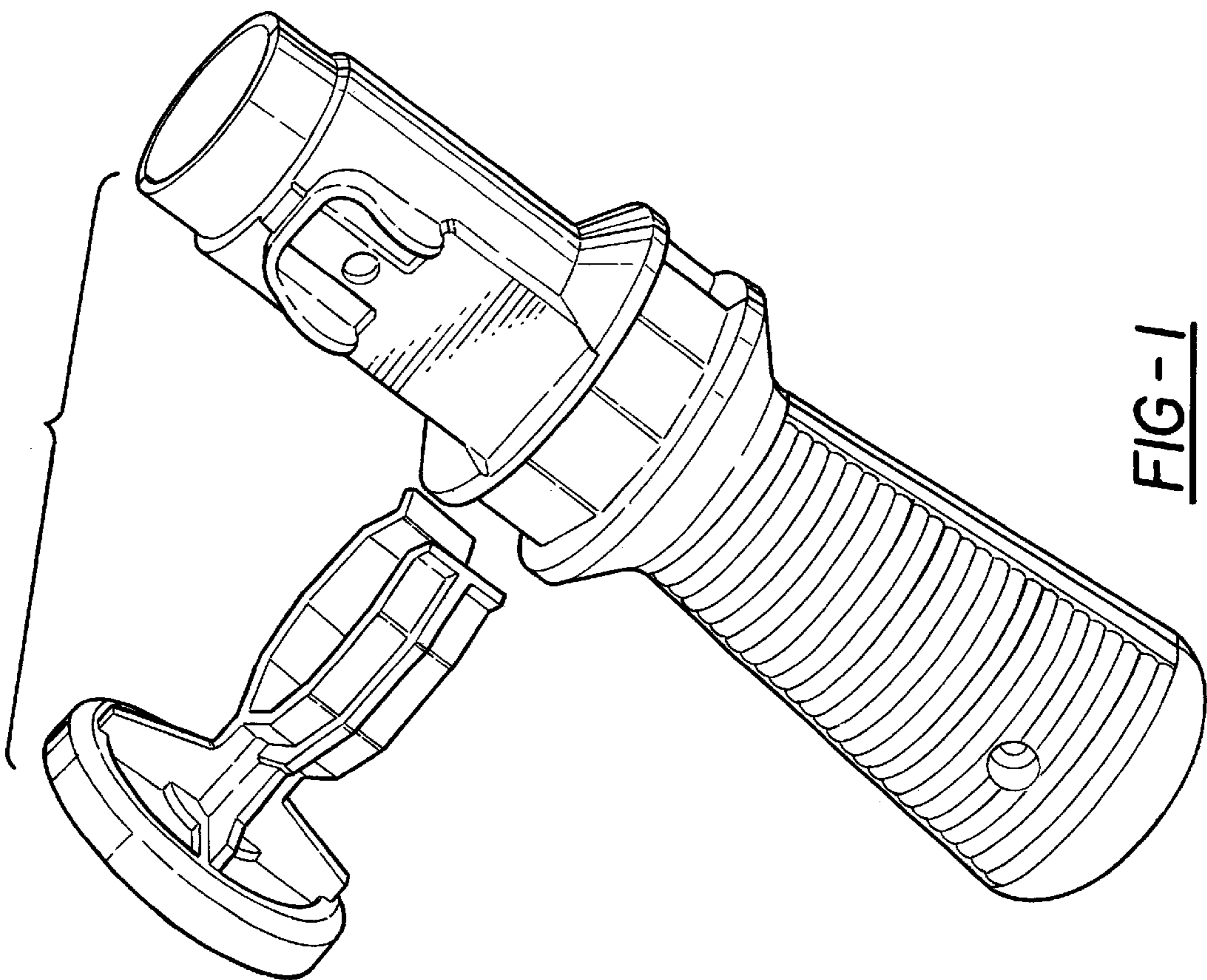


FIG-1

FIG-5

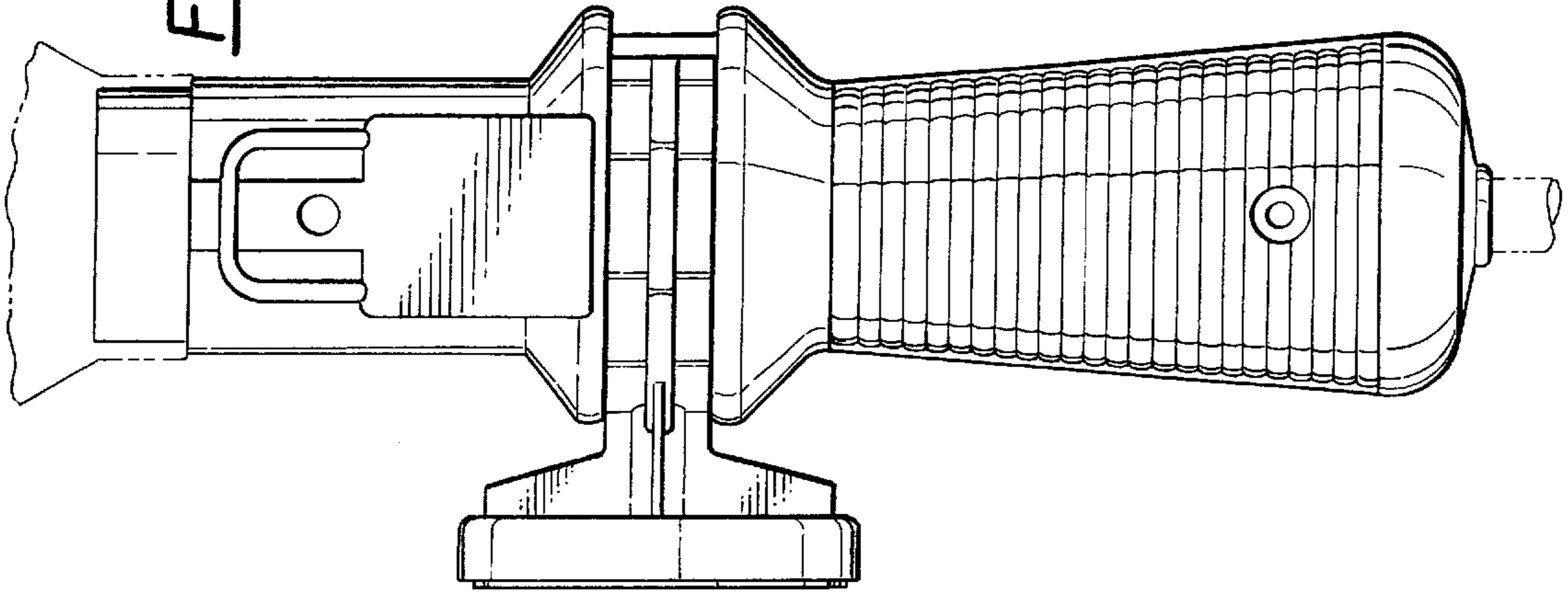


FIG-4

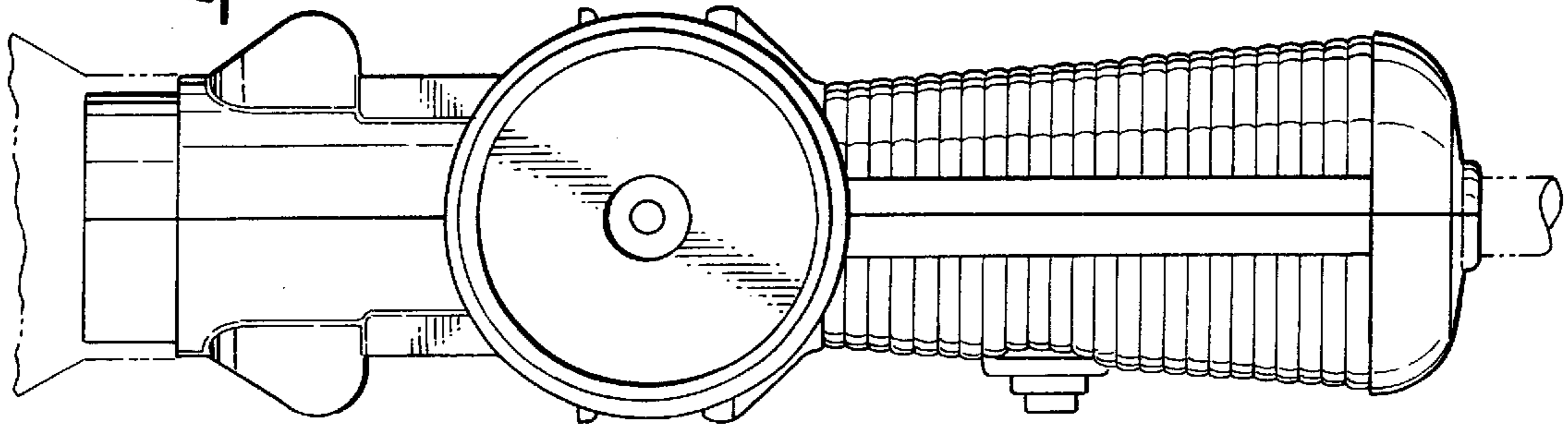
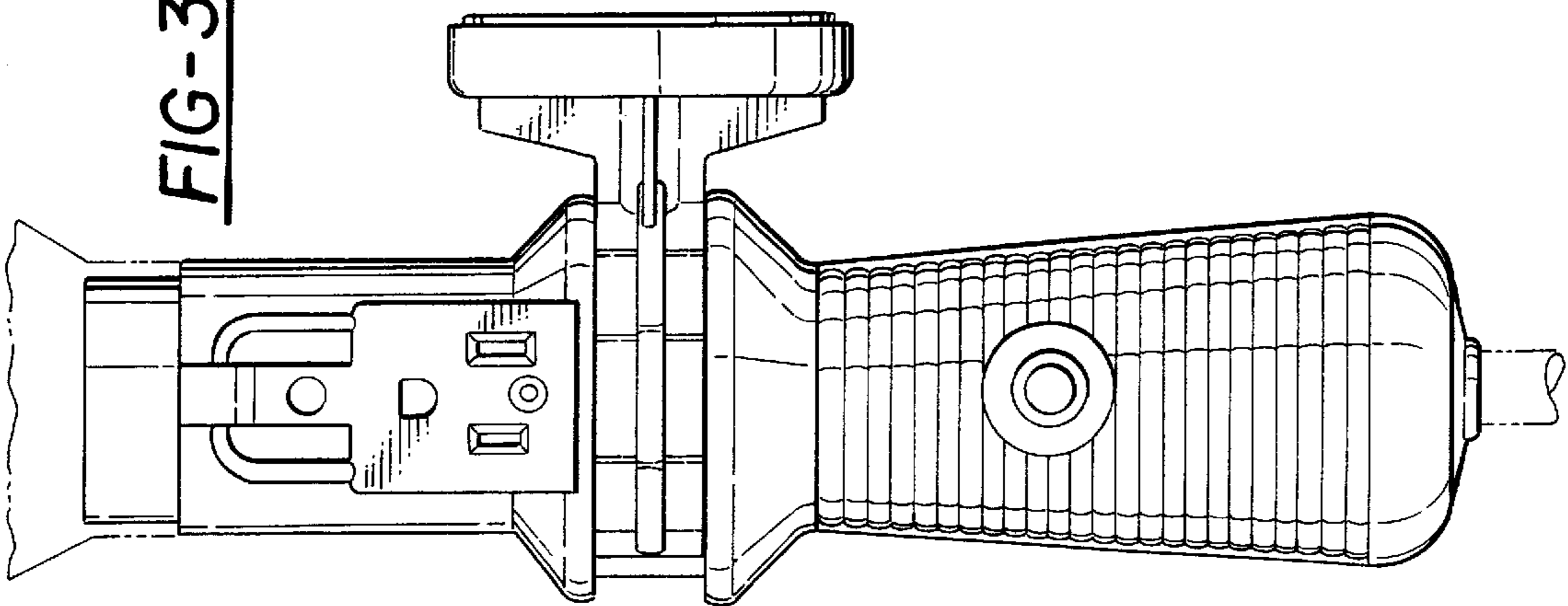


FIG-3



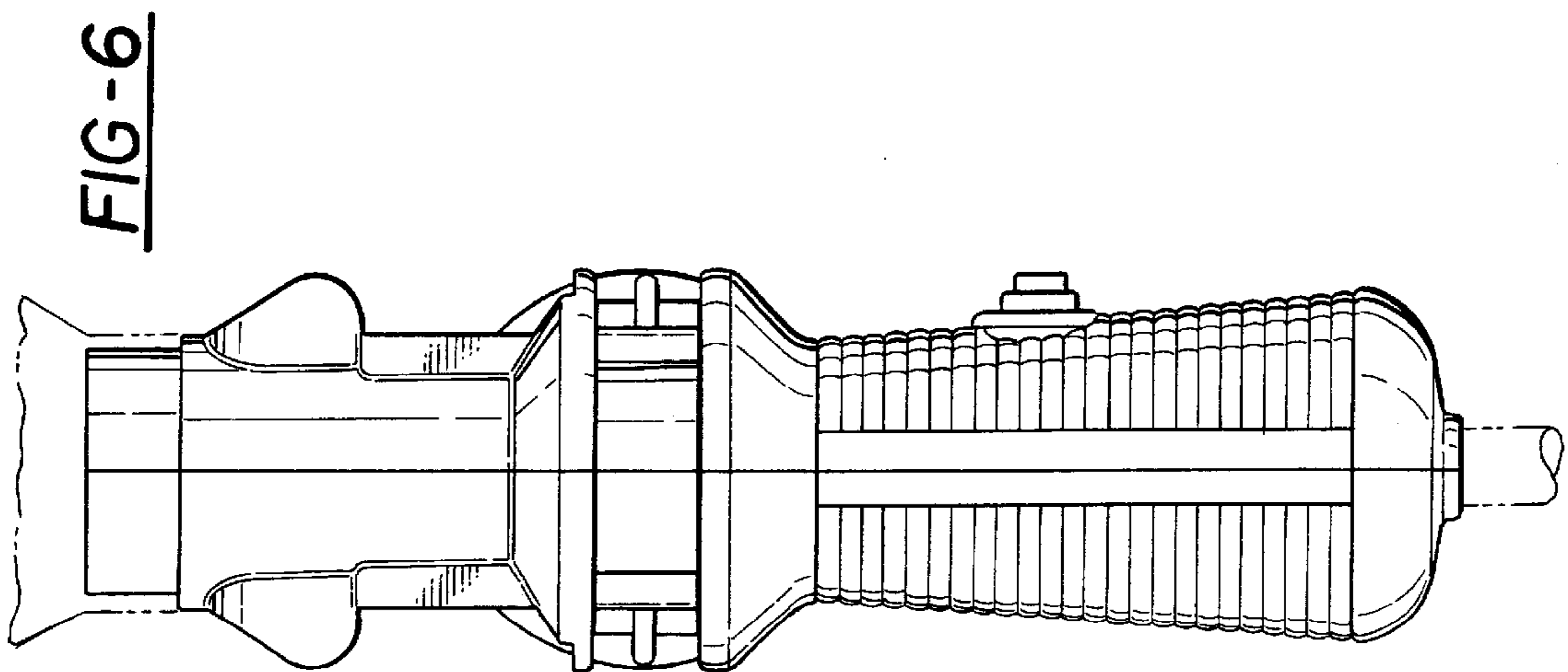


FIG-6

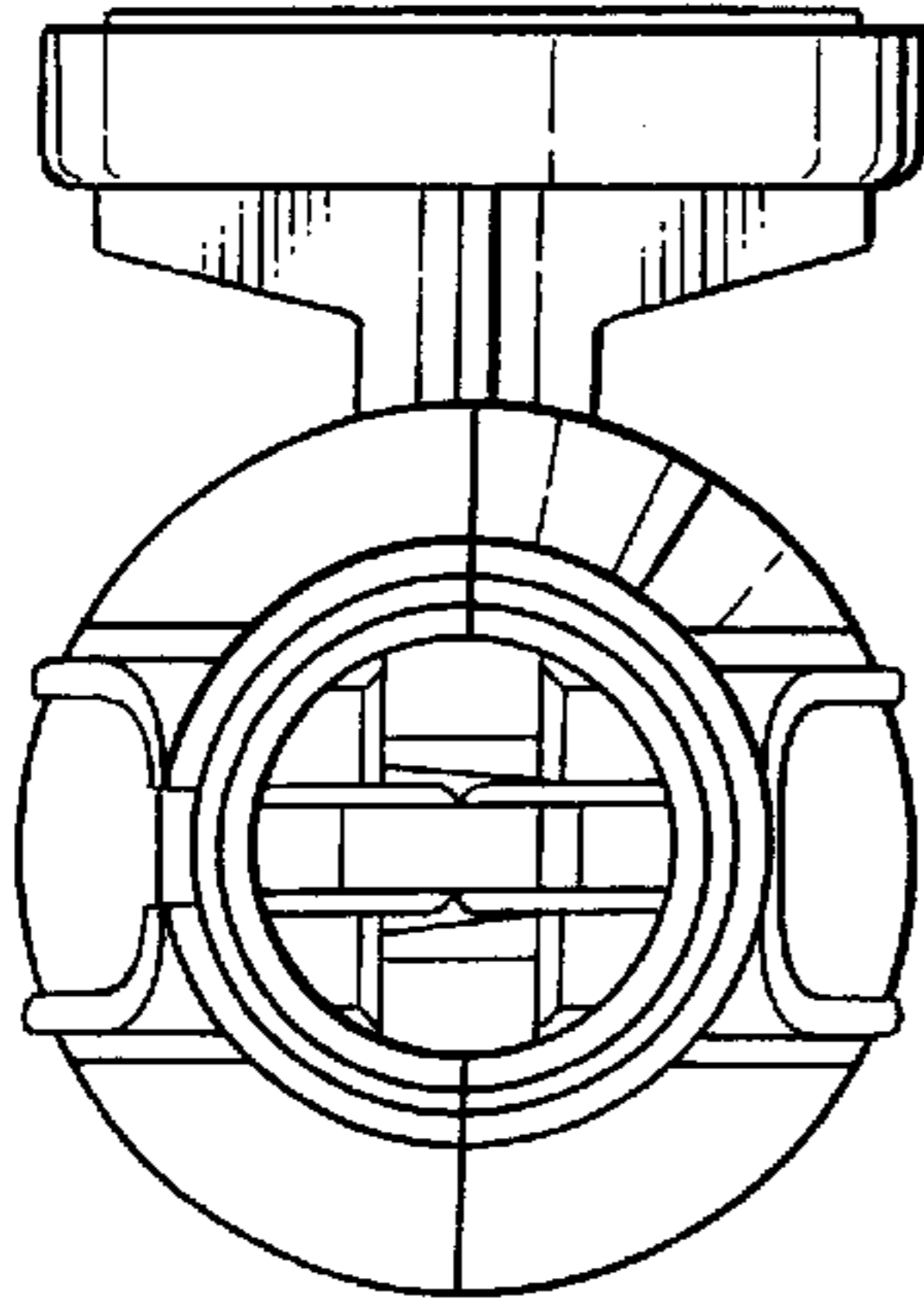


FIG-7

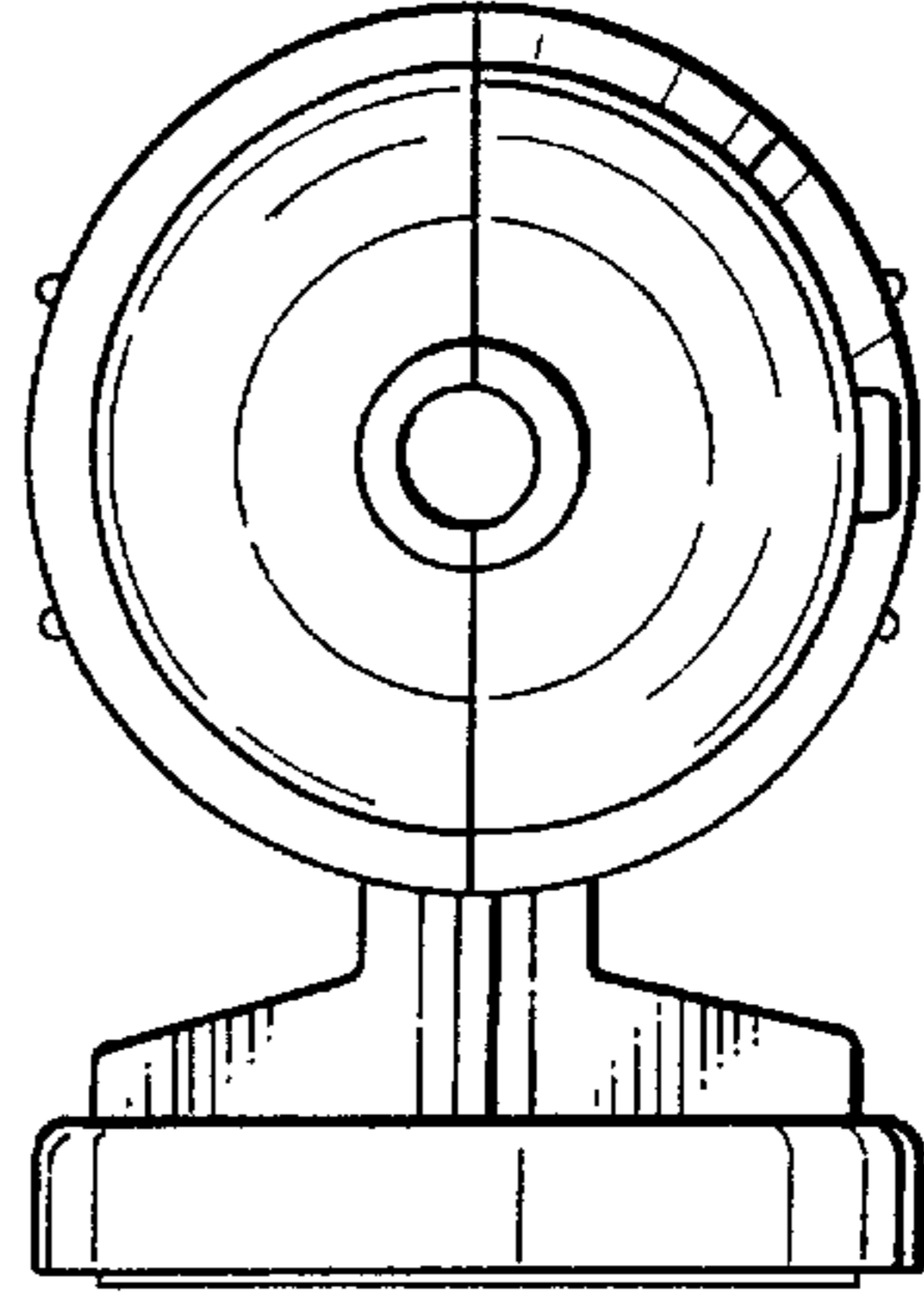


FIG-8