



US00D477881S

(12) **United States Design Patent**  
**Johnson**

(10) **Patent No.:** **US D477,881 S**

(45) **Date of Patent:** **\*\* Jul. 29, 2003**

(54) **HUNTER'S BLIND**

(74) *Attorney, Agent, or Firm*—M. K. Silverman

(76) **Inventor:** **David E. Johnson**, 1533 Jolley Dr.,  
Horton, AL (US) 35980

(57) **CLAIM**

(\*\*) **Term:** **14 Years**

The ornamental design for a hunter's blind, as shown and described herein.

(21) **Appl. No.:** **29/168,651**

**DESCRIPTION**

(22) **Filed:** **Oct. 7, 2002**

FIG. 1 is a rear diagonal perspective view of the inventive design.

(51) **LOC (7) Cl.** ..... **25-03**

FIG. 2 is a front perspective view of the inventive hunter's blind.

(52) **U.S. Cl.** ..... **D25/33; D25/62**

FIG. 3 is a rear view thereof.

(58) **Field of Search** ..... **D25/1, 33, 62;**  
**135/901, 900**

FIG. 4 is a right side view of my inventive design.

FIG. 5 is a left side perspective view thereof; and,

FIG. 6 is a top view of the inventive hunter's blind.

(56) **References Cited**

**U.S. PATENT DOCUMENTS**

D335,188 S \* 4/1993 Rosser ..... D25/62

D343,004 S \* 1/1994 Nelson ..... D25/33

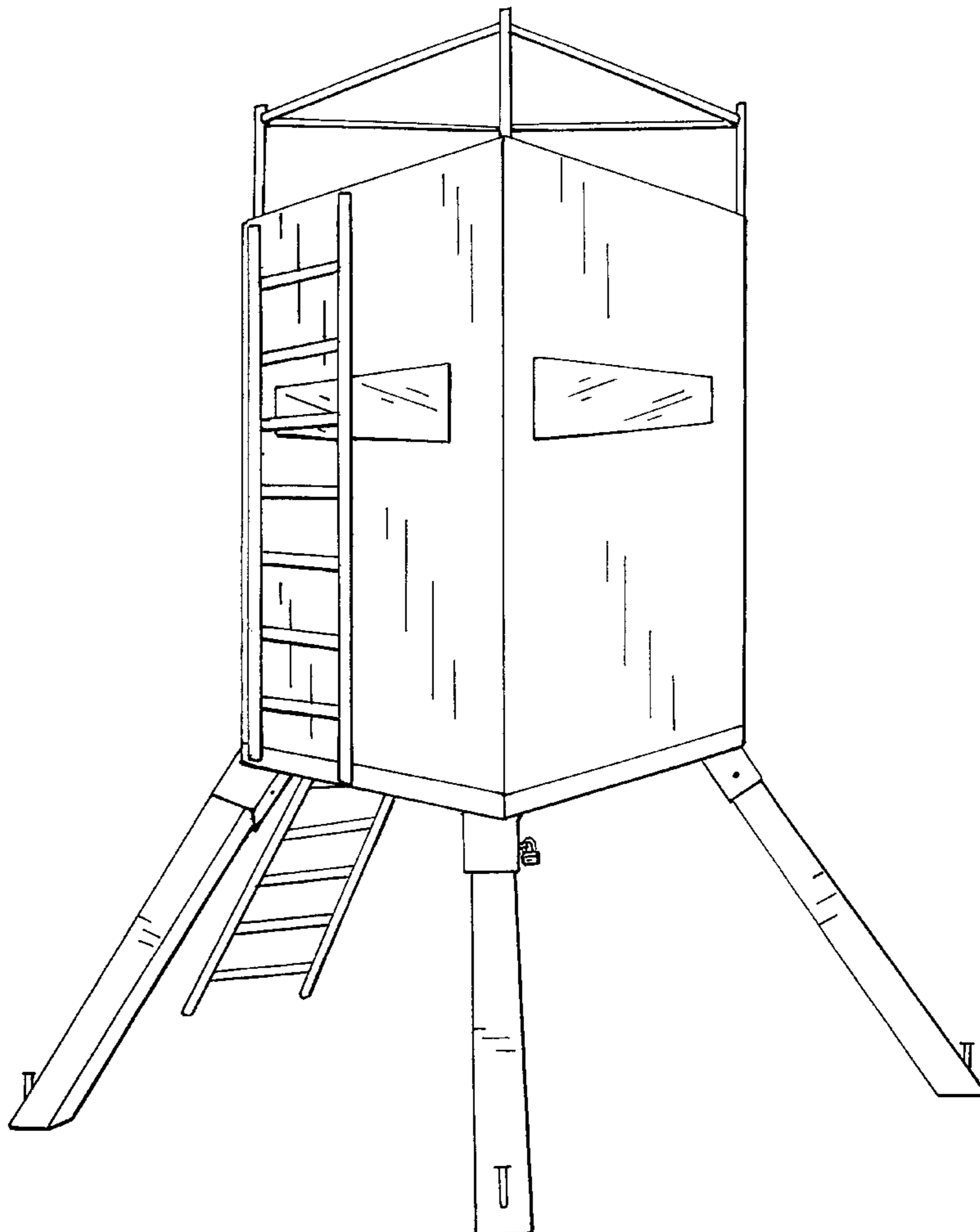
5,862,827 A \* 1/1999 Howze ..... 135/901

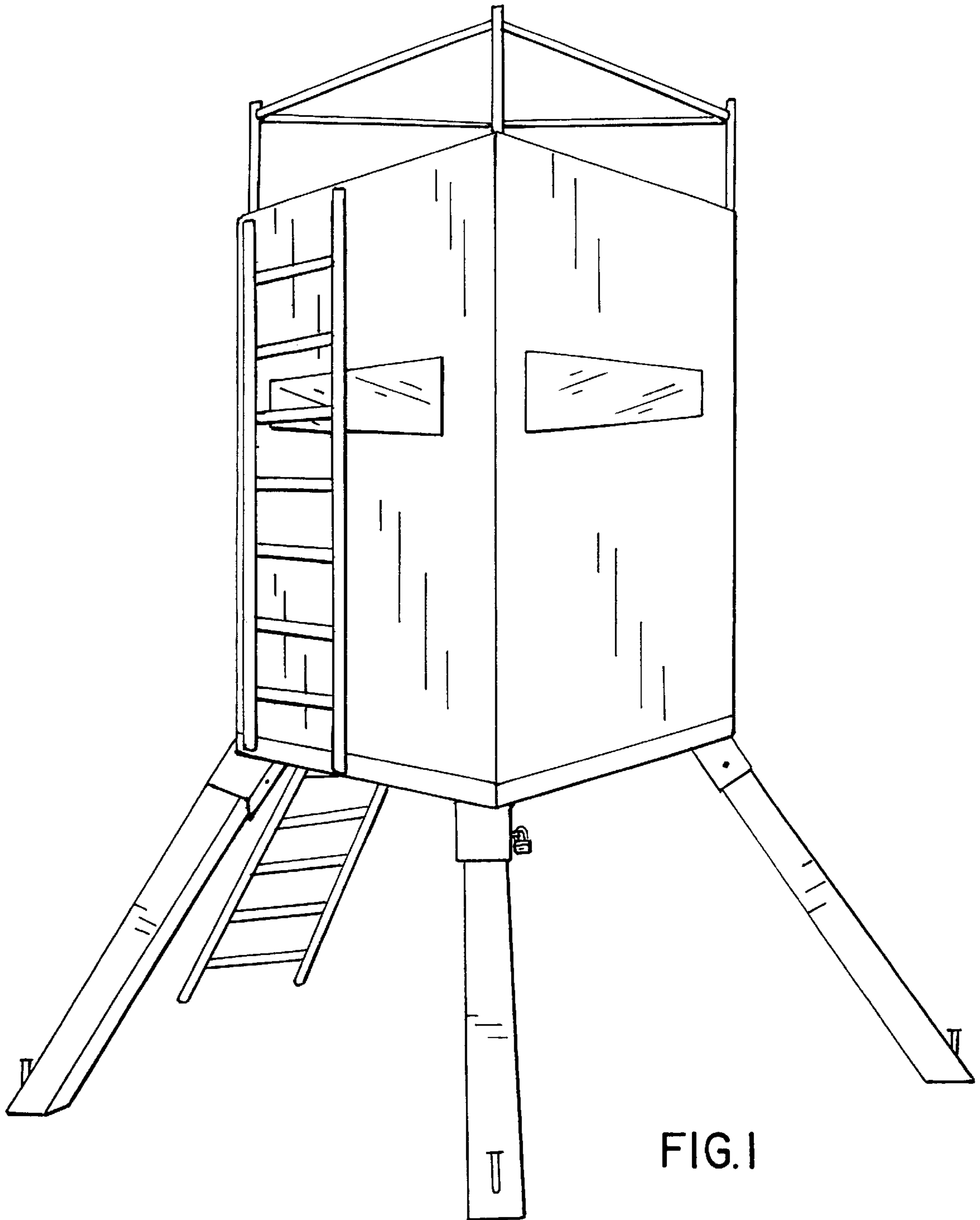
The legs have been broken in the center to illustrate that the length of the legs may increase due to the tightening of the screws. Also, the broken lines showing legs in the drawing indicate that the screws at the upper area of the legs can be tightened at different locations to slightly alter the angle of the legs relative to the ground.

\* cited by examiner

*Primary Examiner*—Doris Clark

**1 Claim, 6 Drawing Sheets**





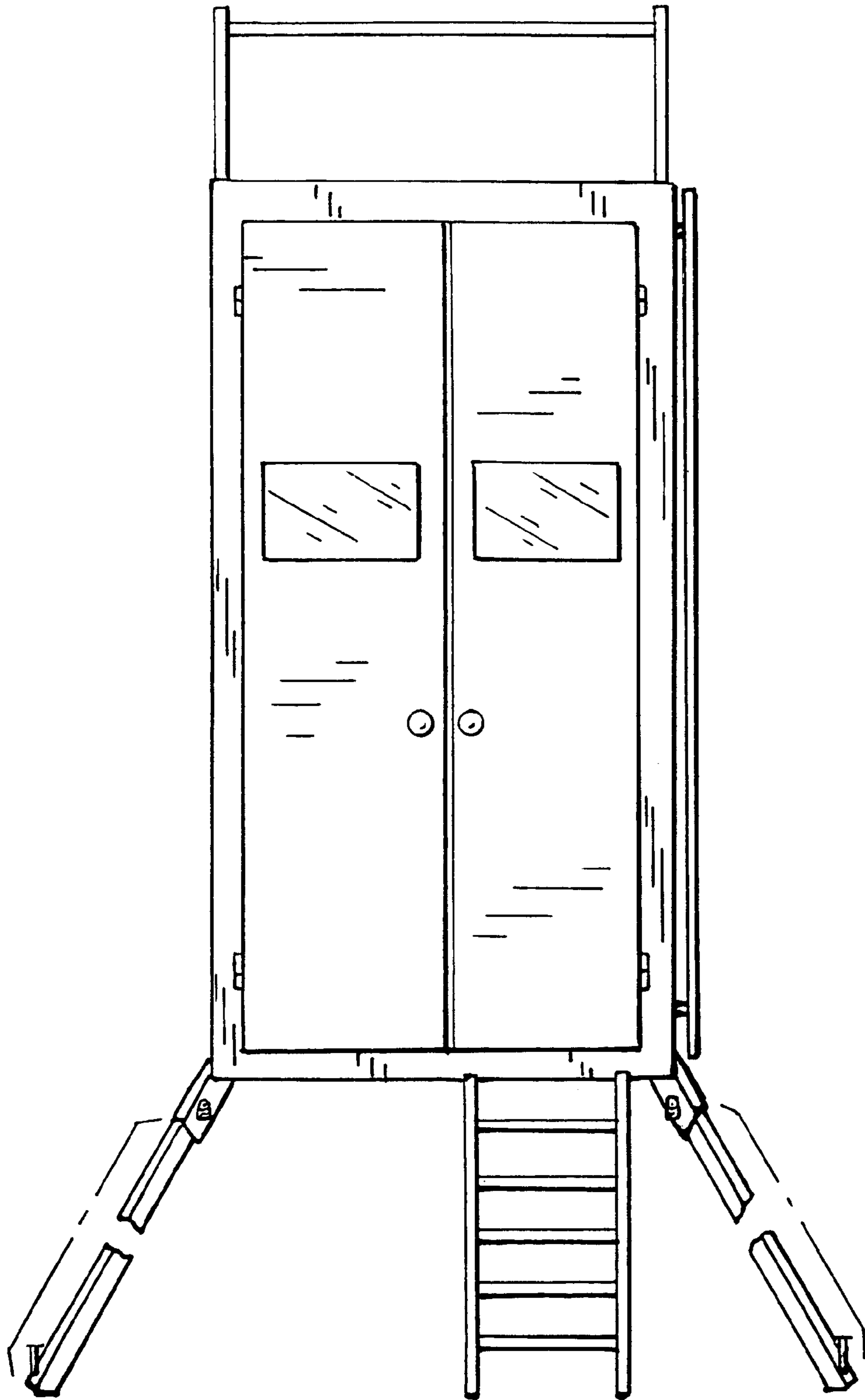


FIG. 2

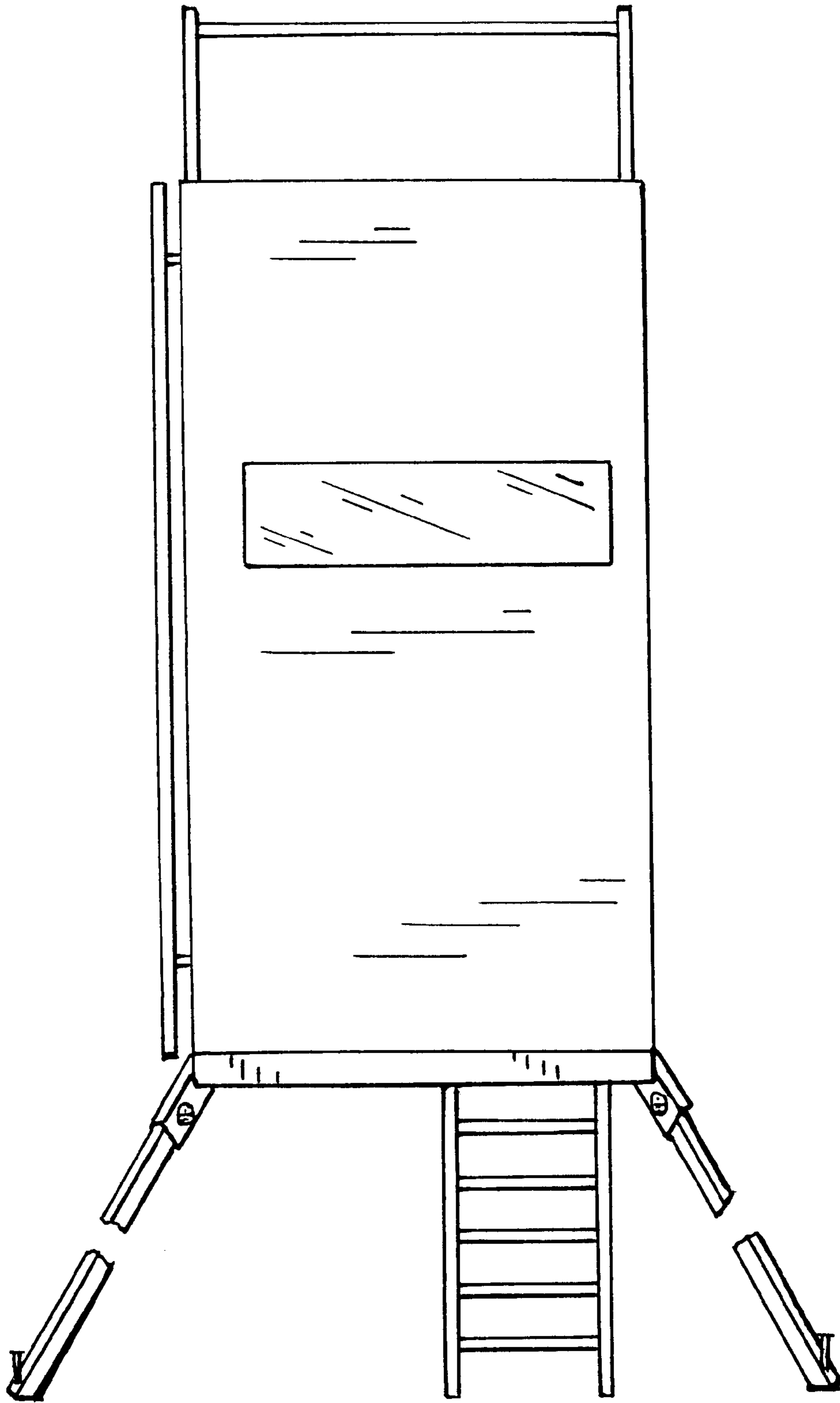


FIG. 3

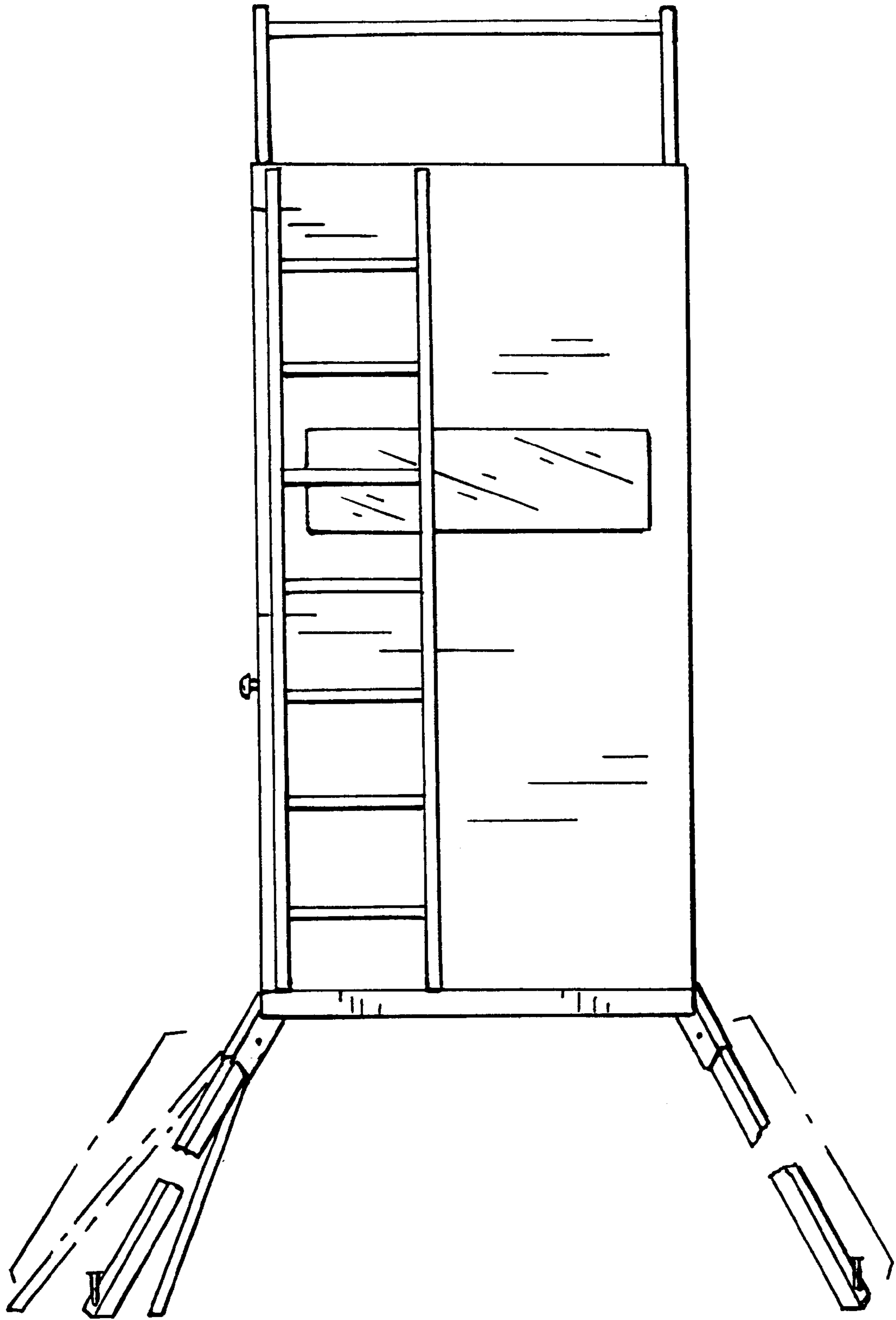


FIG. 4

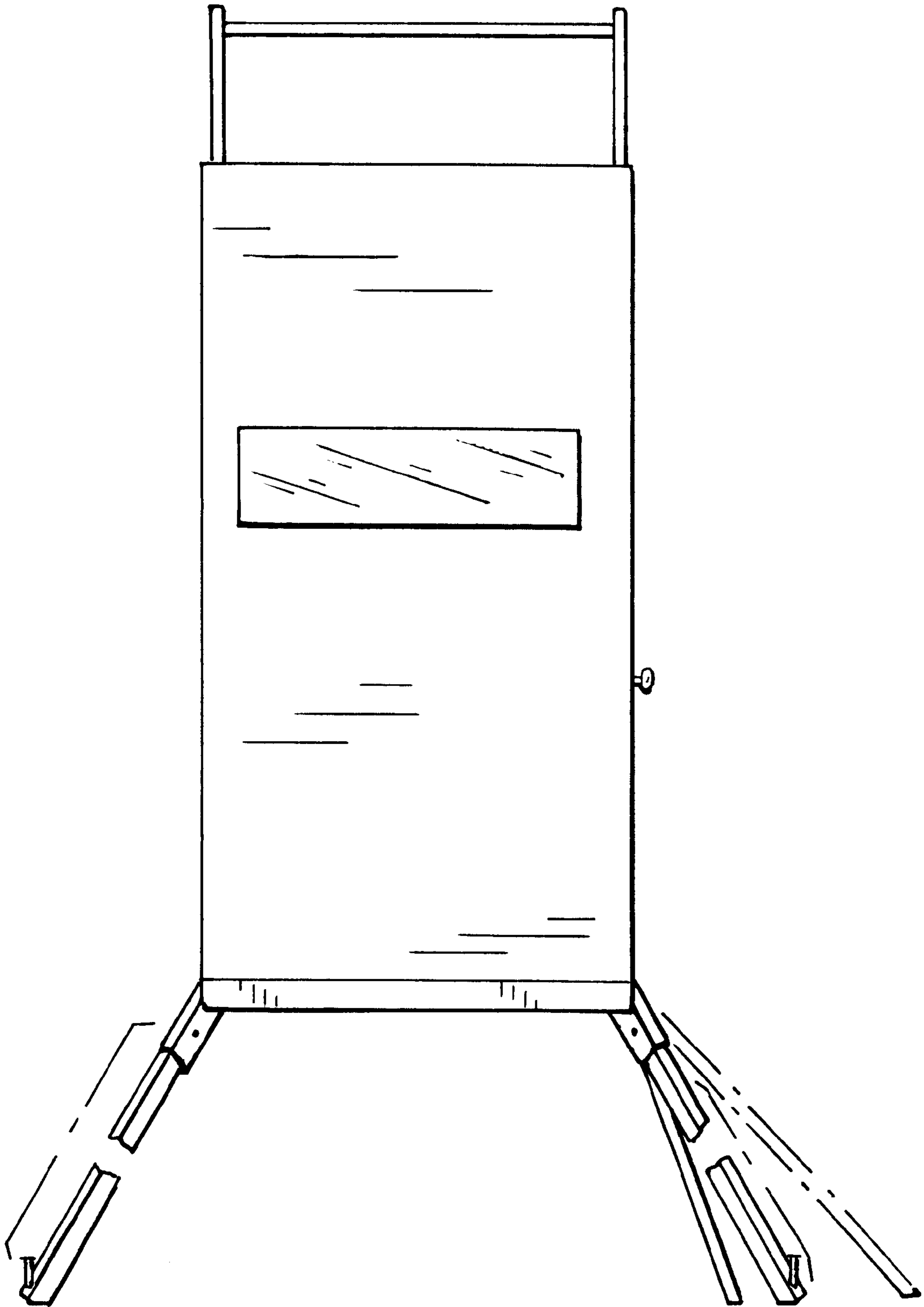


FIG. 5

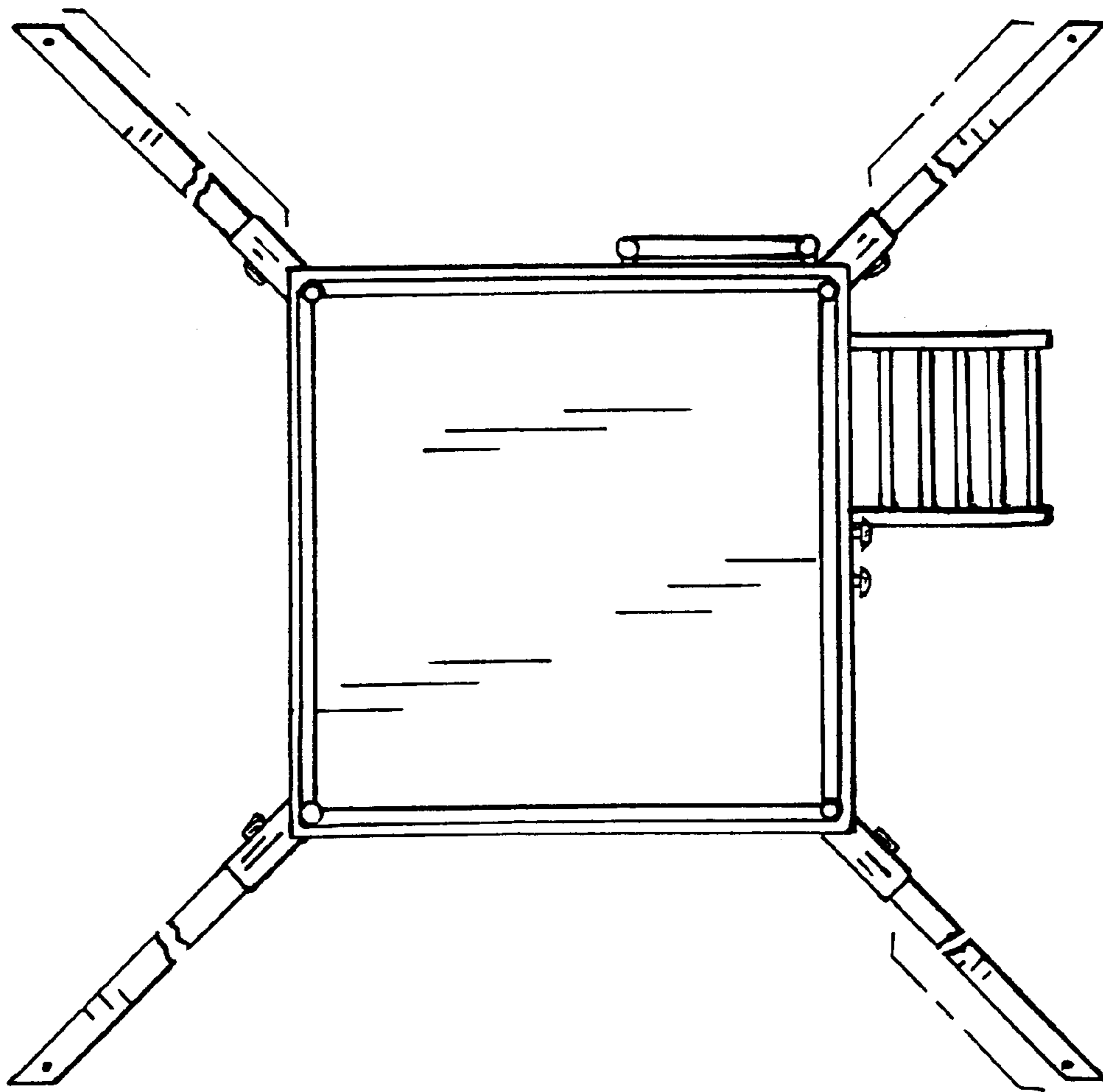


FIG. 6