



US00D477876S

(12) **United States Design Patent**
Whitehead

(10) **Patent No.:** **US D477,876 S**

(45) **Date of Patent:** **** Jul. 29, 2003**

(54) **DENTAL ABUTMENT**

(76) **Inventor:** **George M. Whitehead**, 6226 - 196th Ave. SW., Suite 2b, Lynnwood, WA (US) 98036

(**) **Term:** **14 Years**

(21) **Appl. No.:** **29/165,131**

(22) **Filed:** **Aug. 5, 2002**

(51) **LOC (7) Cl.** **24-03**

(52) **U.S. Cl.** **D24/156**

(58) **Field of Search** D24/156; 433/172-174

(56) **References Cited**

U.S. PATENT DOCUMENTS

5,052,929	A	*	10/1991	Seal	433/173
5,564,928	A	*	10/1996	Gittleman	433/180
5,662,473	A	*	9/1997	Rassoli et al.	433/172
5,829,977	A	*	11/1998	Rogers et al.	433/172
6,012,923	A	*	1/2000	Bassett et al.	433/172

6,368,108	B1	*	4/2002	Locante et al.	433/173
6,497,573	B2	*	12/2002	Wagner et al.	433/173
D469,535	S	*	1/2003	Lidskog et al.	D24/156

* cited by examiner

Primary Examiner—Antoine Duval Davis
(74) *Attorney, Agent, or Firm*—Dean A. Craine

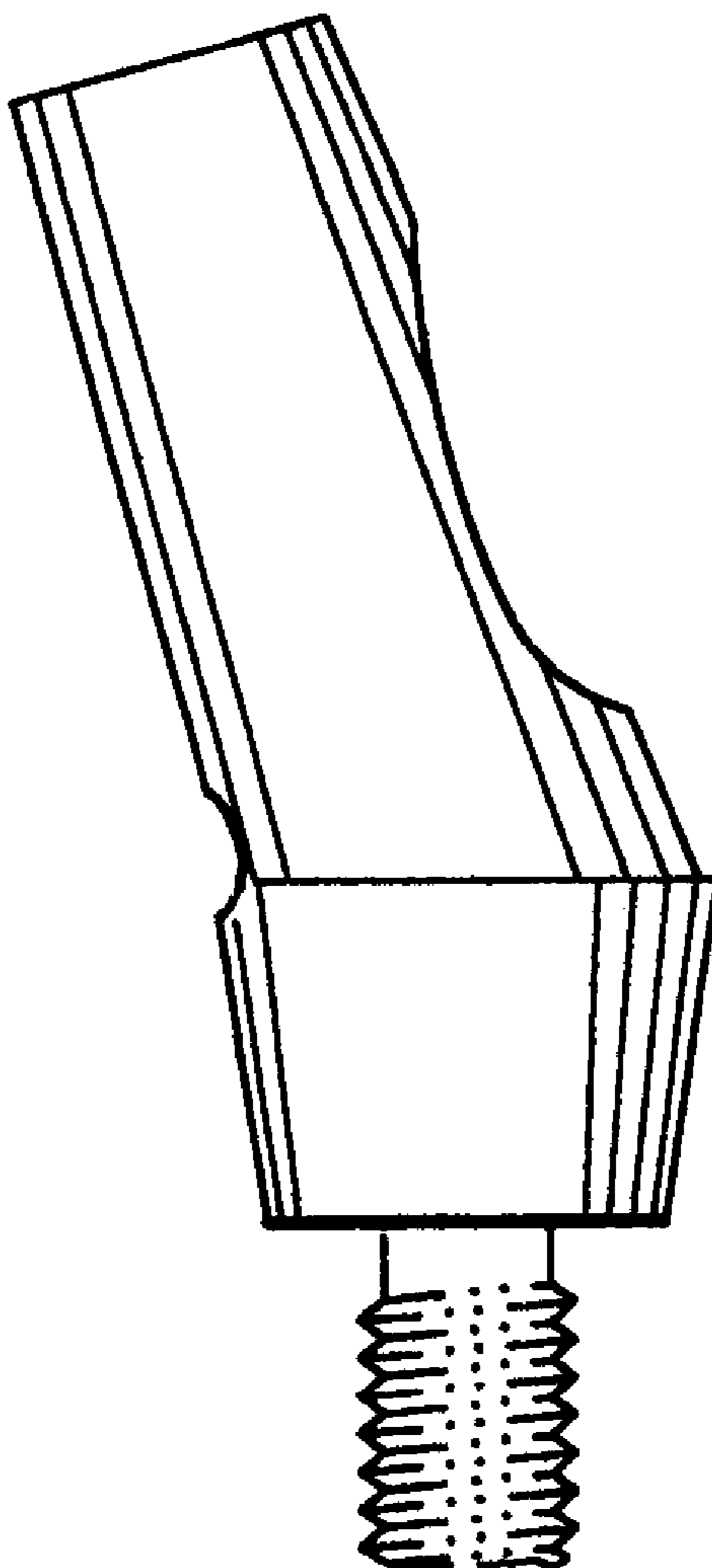
(57) **CLAIM**

The ornamental design for a dental abutment, as shown and described.

DESCRIPTION

FIG. 1 is a right side elevation view of a dental abutment. FIG. 2 is a left side elevation view of the invention. FIG. 3 is a front elevation view of the invention. FIG. 4 is a rear elevation view of the invention. FIG. 5 is a bottom plan view of the invention; and, FIG. 6 is a top plan view of the invention. The broken line showing is for illustrative purposes only and forms no part of the claimed design.

1 Claim, 1 Drawing Sheet



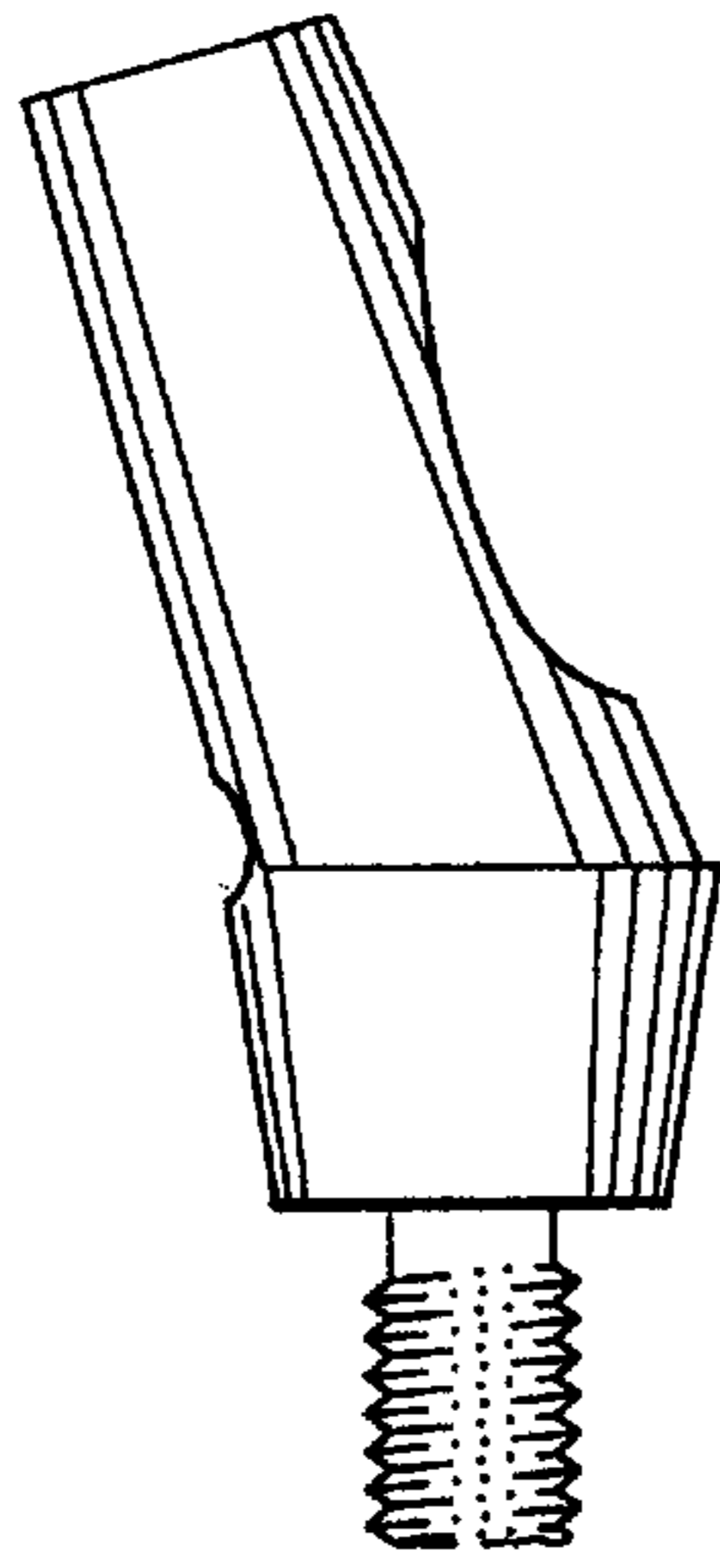


FIG. 1

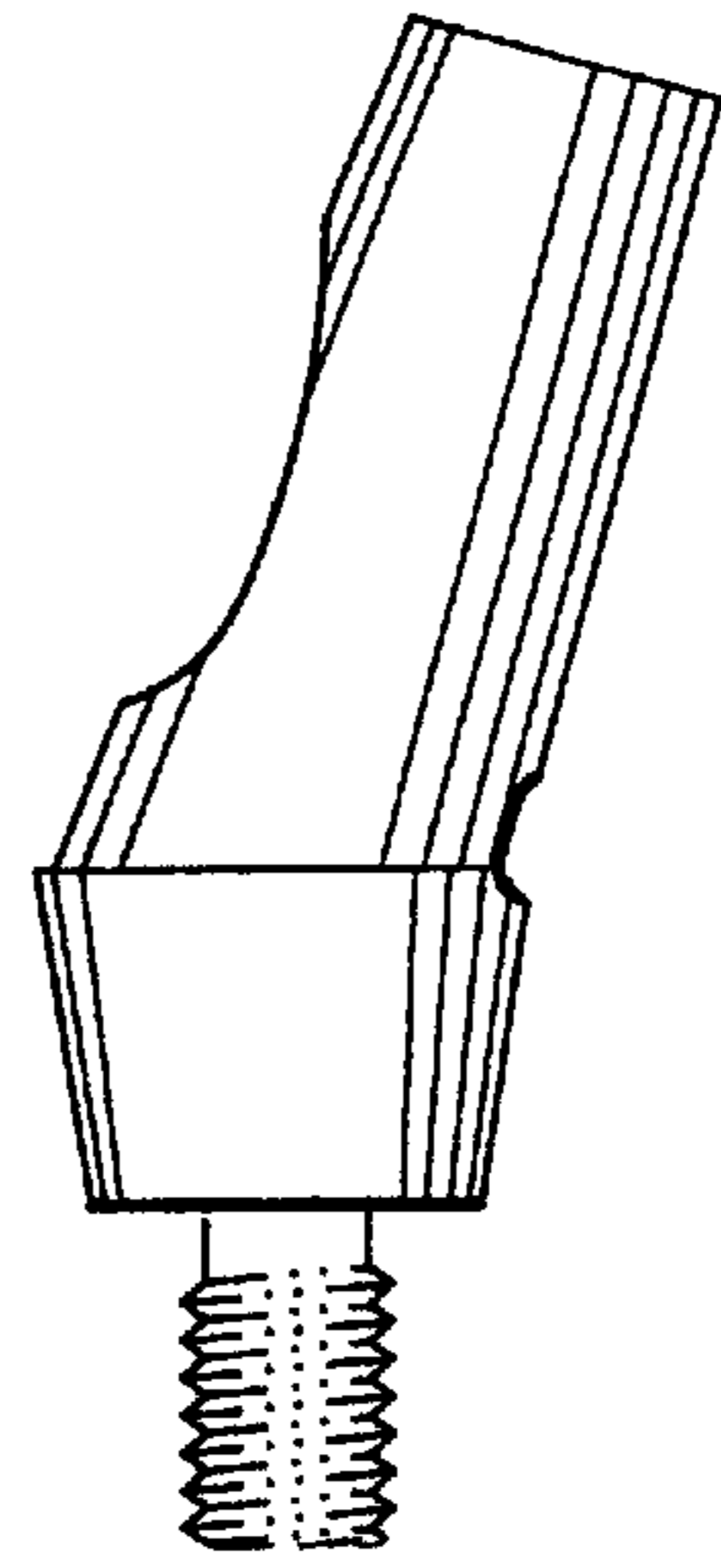


FIG. 2

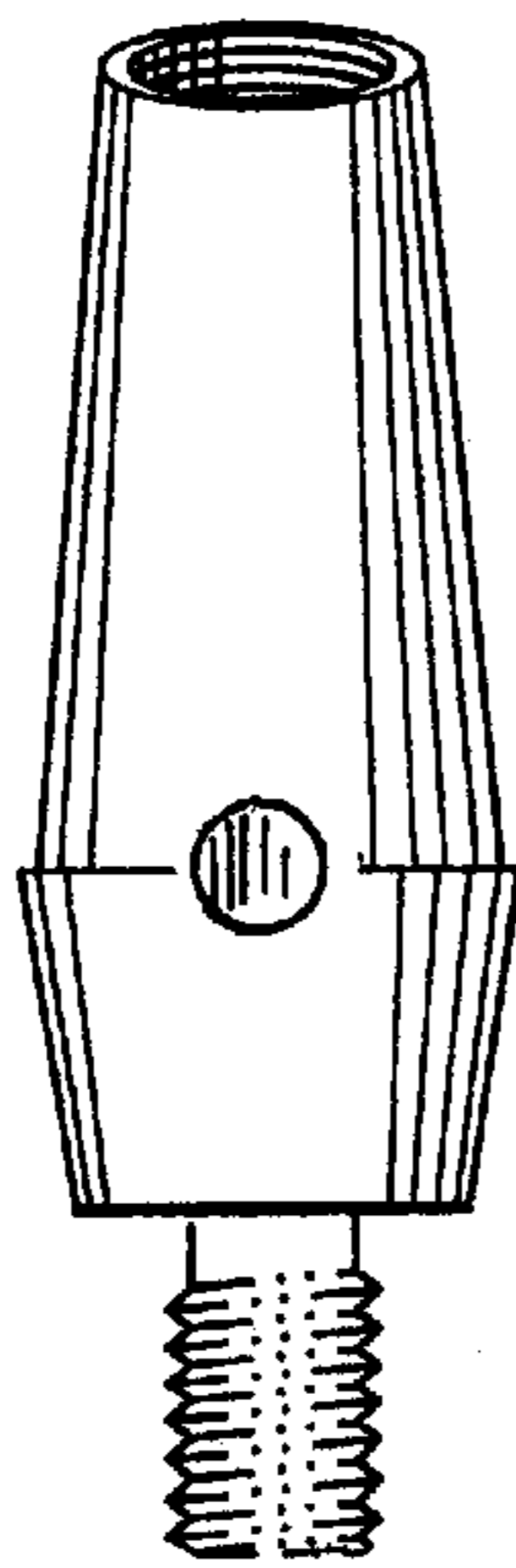


FIG. 3

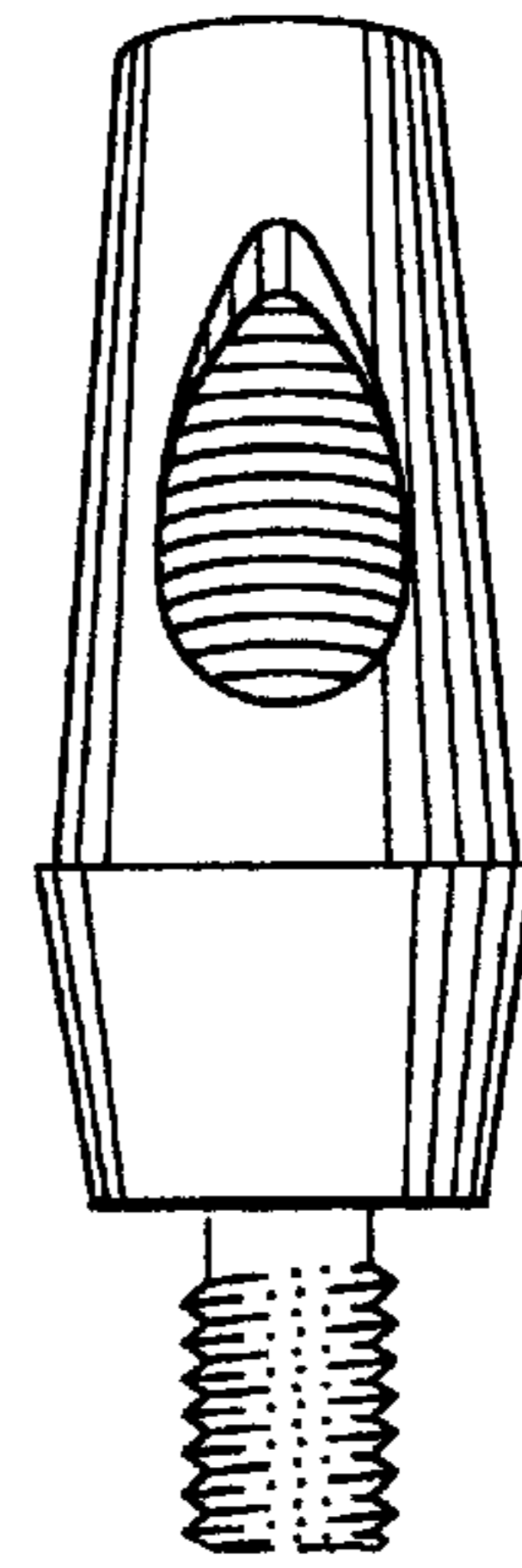


FIG. 4

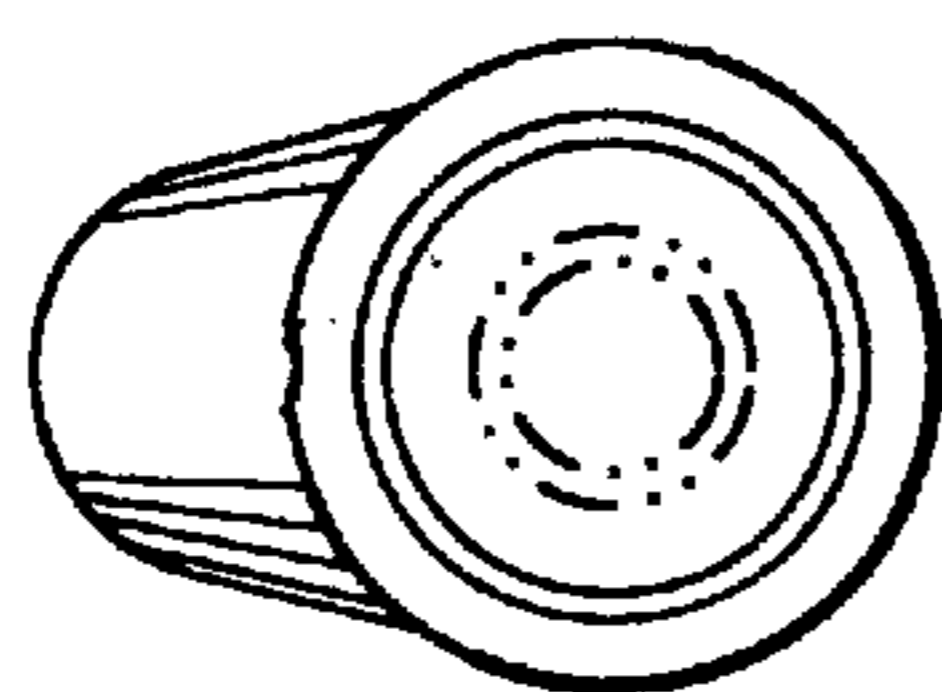


FIG. 5

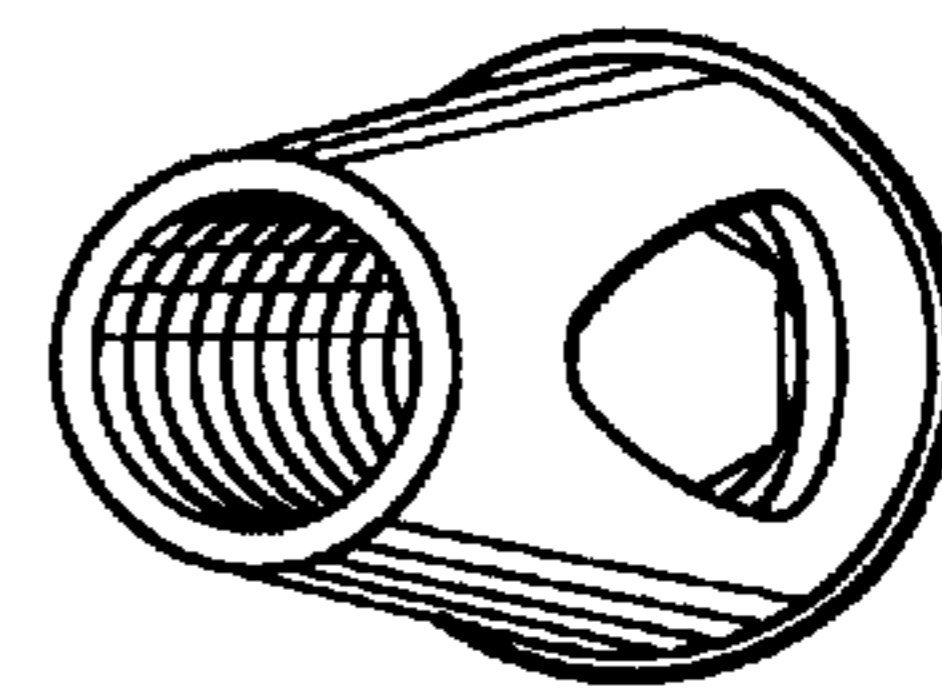


FIG. 6