



US00D477875S

(12) **United States Design Patent**  
**Meyer et al.**

(10) **Patent No.:** **US D477,875 S**

(45) **Date of Patent:** **\*\* Jul. 29, 2003**

(54) **SLIDABLE AND ROTATABLE COUPLER FOR A PROSTHETIC LEG**

D462,768 S \* 9/2002 Meyer et al. .... D24/155  
6,458,163 B1 \* 10/2002 Slemker et al. .... 623/38  
6,511,513 B1 \* 1/2003 Laghi ..... 623/33

(75) Inventors: **Wilbur N. Meyer**, Brookville, OH (US); **Robert B. Meyer**, Lewisburg, OH (US)

\* cited by examiner

(73) Assignee: **Bulldog Tools Inc.**, Lewisburg, OH (US)

*Primary Examiner*—Antoine Duval Davis  
(74) *Attorney, Agent, or Firm*—Jacox, Meckstroth & Jenkins

(\*\*) Term: **14 Years**

(57) **CLAIM**

(21) Appl. No.: **29/166,480**

The ornamental design of a slidable and rotatable coupler for a prosthetic leg, as shown and described.

(22) Filed: **Aug. 29, 2002**

**DESCRIPTION**

(51) **LOC (7) Cl.** ..... **24-03**  
(52) **U.S. Cl.** ..... **D24/155**  
(58) **Field of Search** ..... D24/155; 264/222, 264/573, DIG. 30; 425/2, 389; 623/22.15–22.29, 33–39

FIG. 1 is a perspective view of a slidable and rotatable coupler for a prosthetic leg, showing our new design; FIG. 2 is a top view thereof; FIG. 3 is a bottom view thereof; FIG. 4 is a front view thereof; FIG. 5 is a rear view thereof; and, FIG. 6 is a side view thereof.

(56) **References Cited**

**U.S. PATENT DOCUMENTS**

6,440,173 B1 \* 8/2002 Meyer ..... 623/36

**1 Claim, 1 Drawing Sheet**

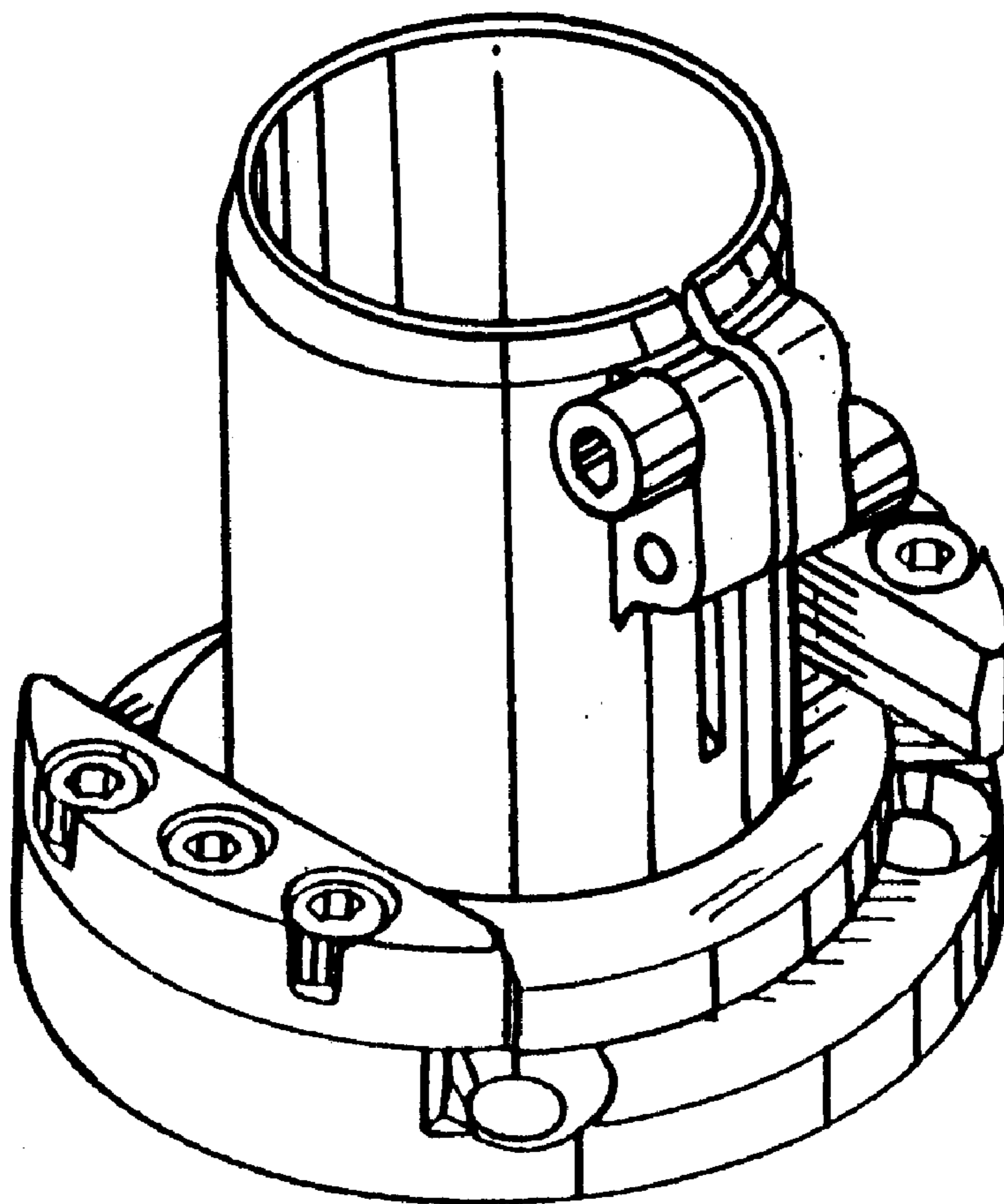


FIG-1

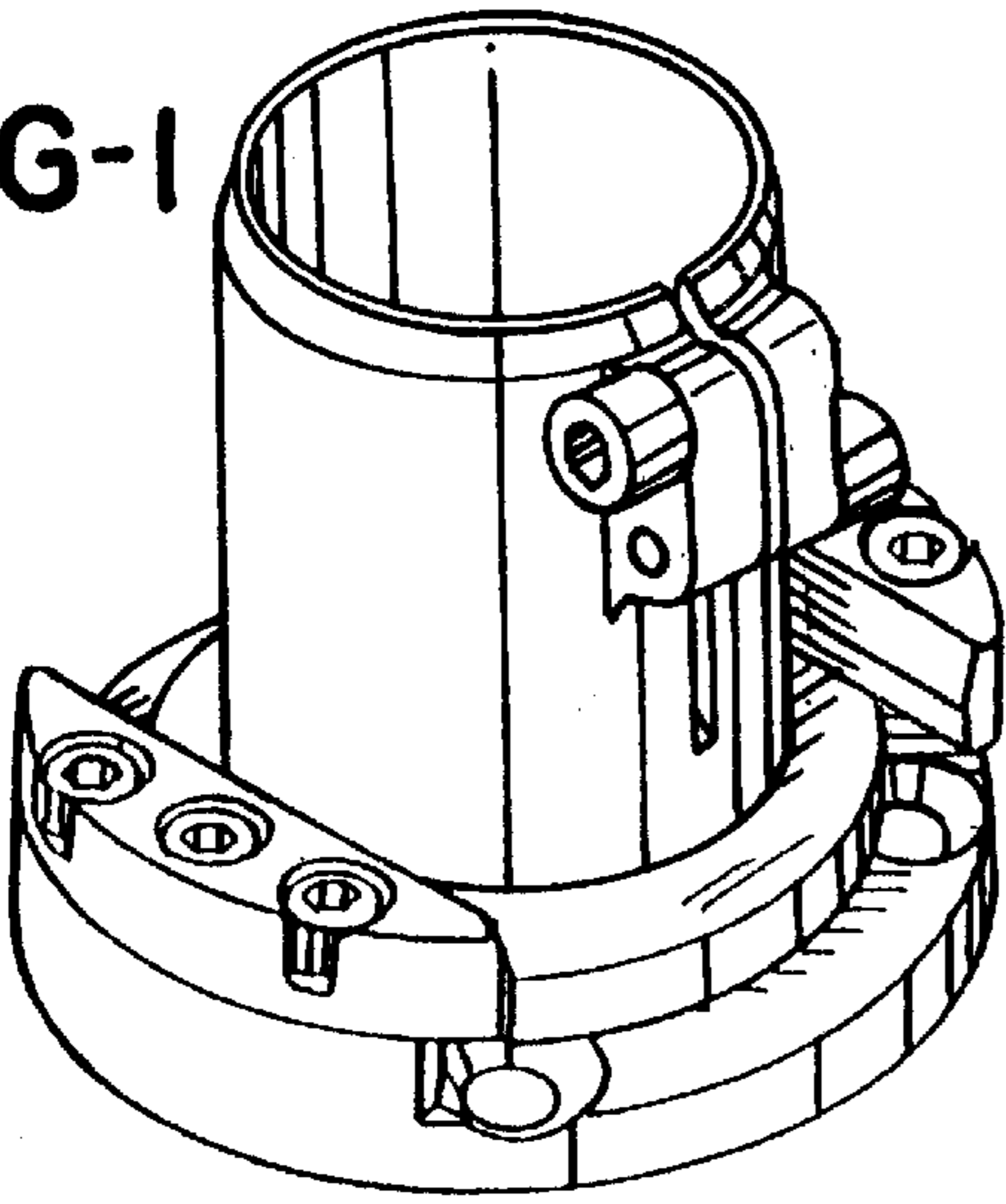


FIG-2

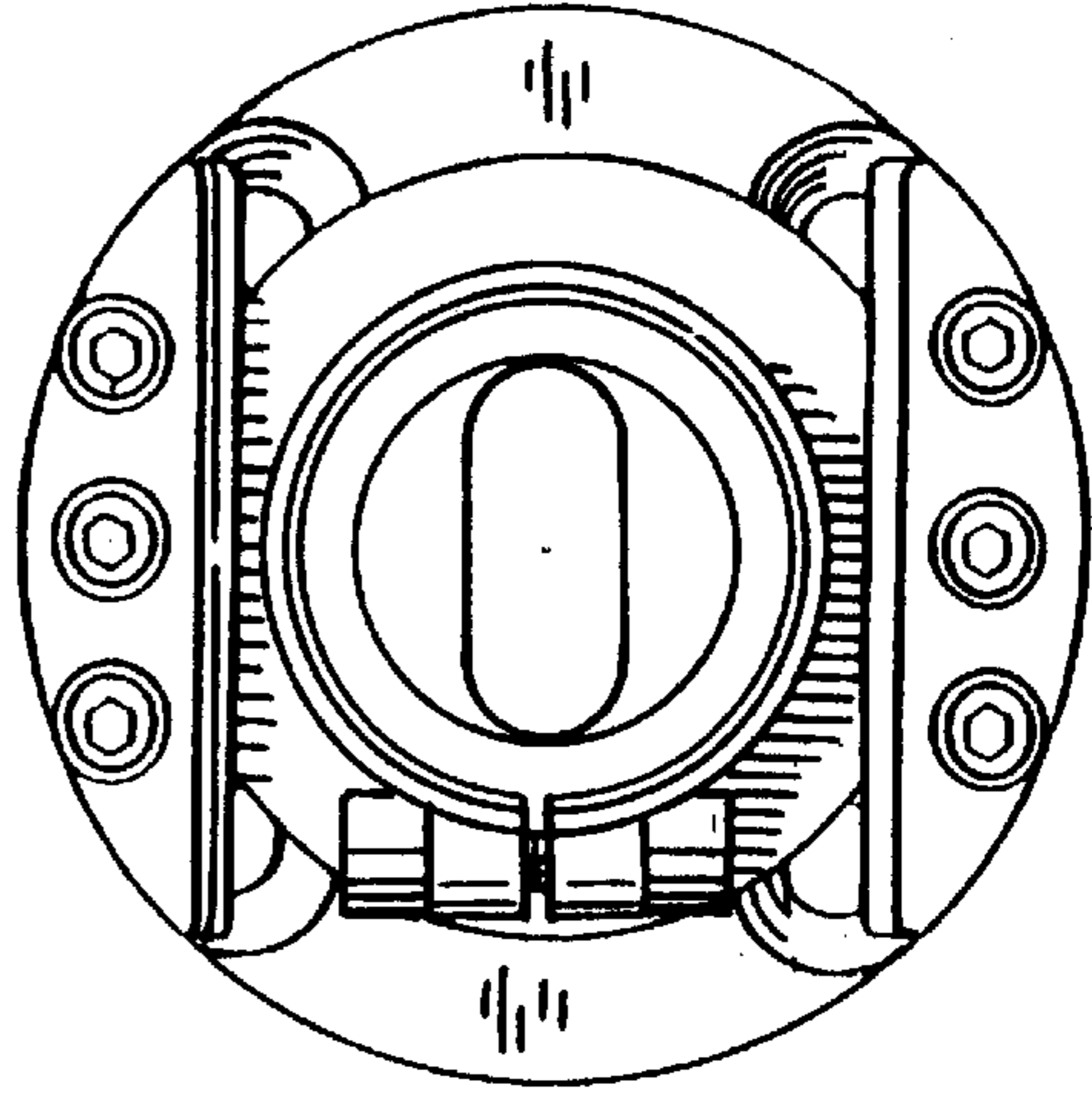


FIG-3

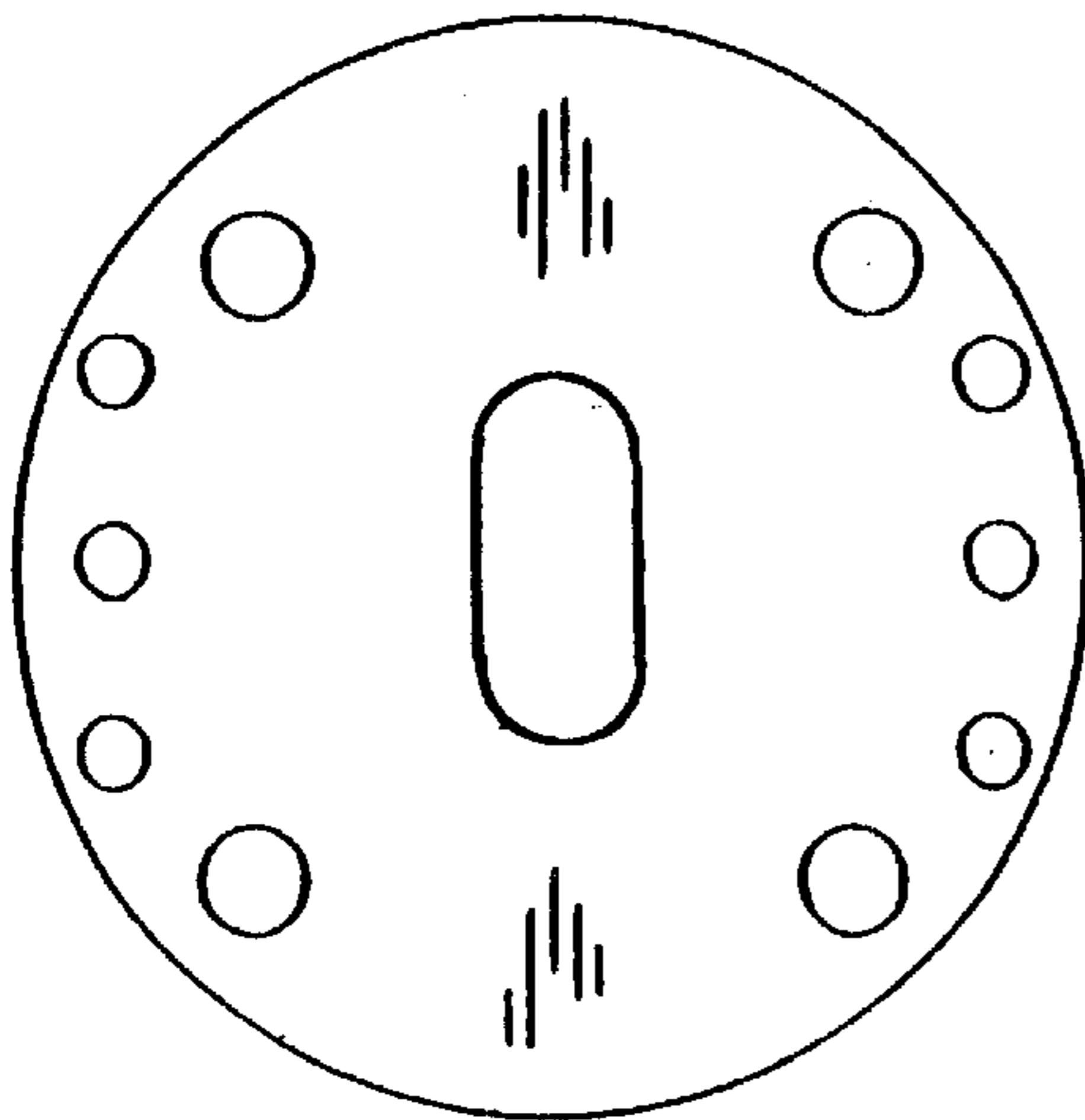


FIG-4

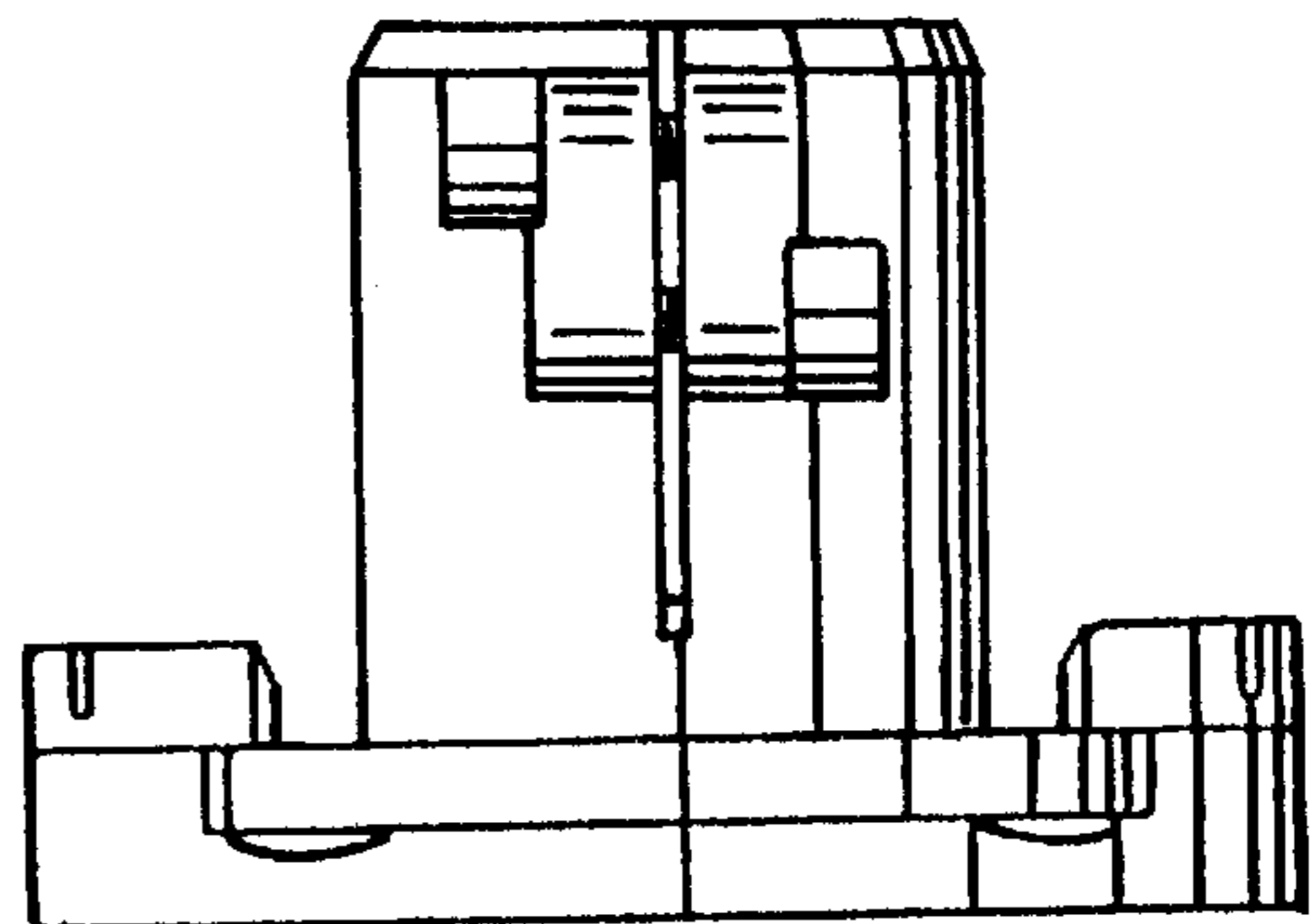


FIG-5

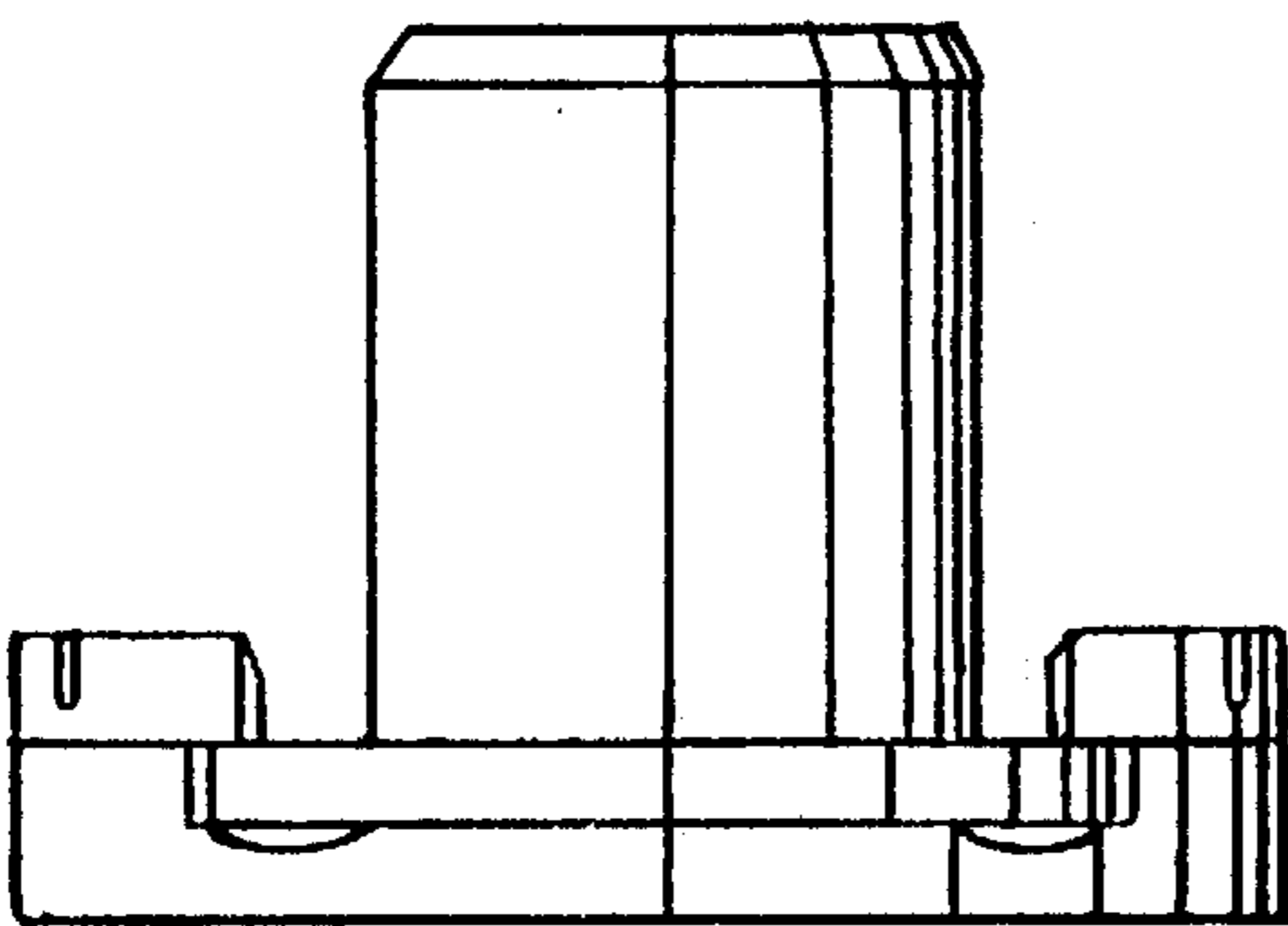


FIG-6

