



US00D477873S

(12) **United States Design Patent**
Borash et al.

(10) **Patent No.:** **US D477,873 S**

(45) **Date of Patent:** **** Jul. 29, 2003**

(54) **GASTRONOMY TUBE POUCH**

(76) Inventors: **Donald J. Borash**, 47 Sunrise Trail,
Wurtsboro, NY (US) 12790; **Alicemarie**
E. Borash, 47 Sunrise Trail, Wurtsboro,
NY (US) 12790

(**) Term: **14 Years**

(21) Appl. No.: **29/147,721**

(22) Filed: **Sep. 6, 2001**

(51) **LOC (7) Cl.** **24-02**

(52) **U.S. Cl.** **D24/128**

(58) **Field of Search** D24/128, 127;
D3/203; 128/DIG. 26, DIG. 6; 604/327,
322, 179, 353, 174

(56) **References Cited**

U.S. PATENT DOCUMENTS

- 3,160,158 A * 12/1964 Rayhart 604/179
- D292,127 S * 9/1987 Aiello D24/128
- 5,048,512 A * 9/1991 Turner et al. 128/DIG. 26
- D328,953 S * 8/1992 Garcia D24/127

- 5,304,145 A * 4/1994 Blair 604/179
- 5,643,233 A * 7/1997 Turner 604/332
- D393,310 S * 4/1998 Russo D24/128
- D437,410 S * 2/2001 Watson et al. D24/128

* cited by examiner

Primary Examiner—Ian Simmons

(74) *Attorney, Agent, or Firm*—Lilling & Lilling P.C.

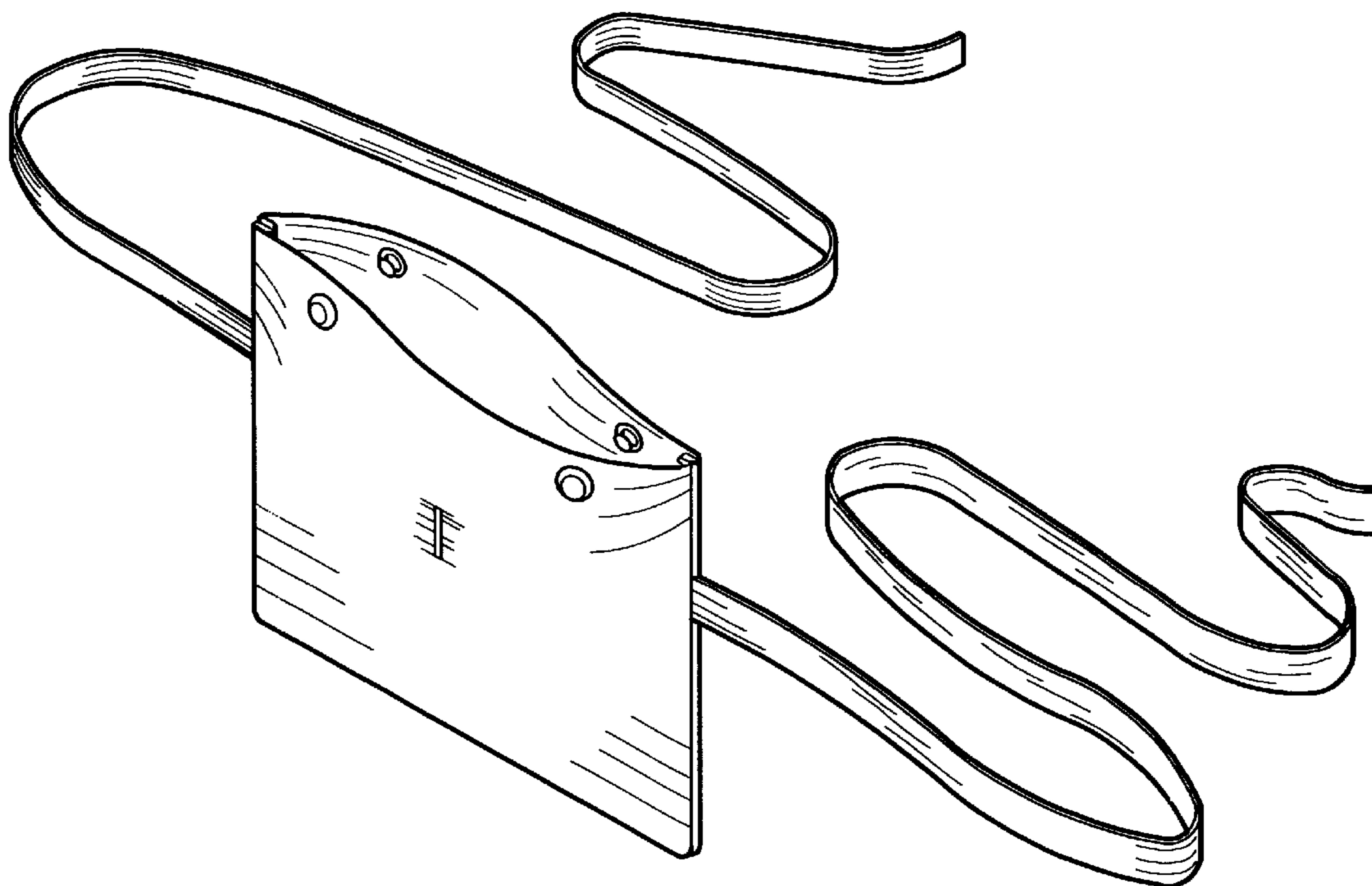
(57) **CLAIM**

The ornamental design for a gastronomy tube pouch, as shown.

DESCRIPTION

FIG. 1 is a perspective view of a gastronomy tube pouch with our new and novel design;
 FIG. 2 is a top view of our new and novel design;
 FIG. 3 is a bottom view of our new and novel design;
 FIG. 4 is a front view of our new and novel design;
 FIG. 5 is a rear view of our new and novel design;
 FIG. 6 is a left side view of our new and novel design; and,
 FIG. 7 is a right side view of our new and novel design.

1 Claim, 3 Drawing Sheets



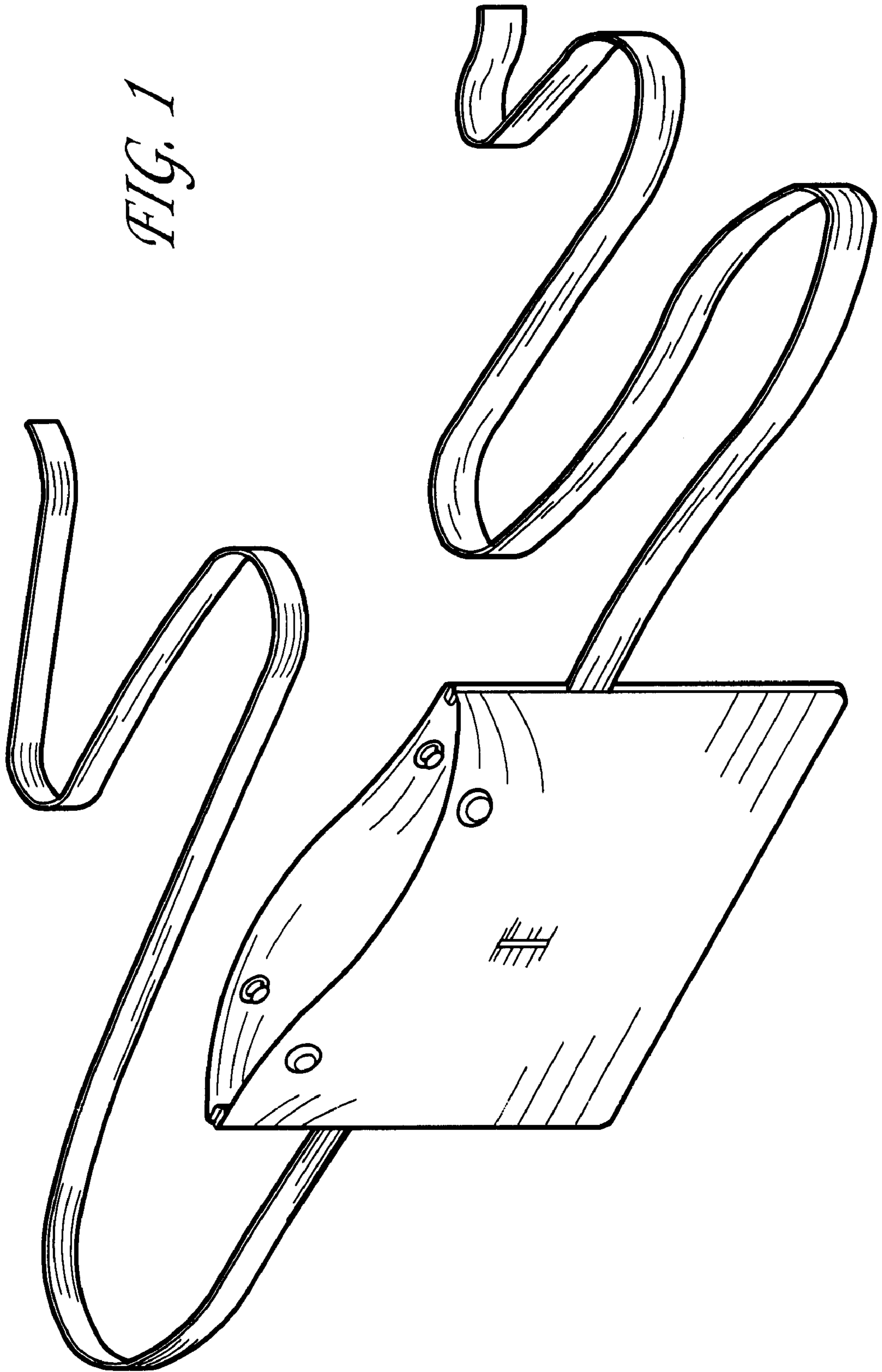


FIG. 1

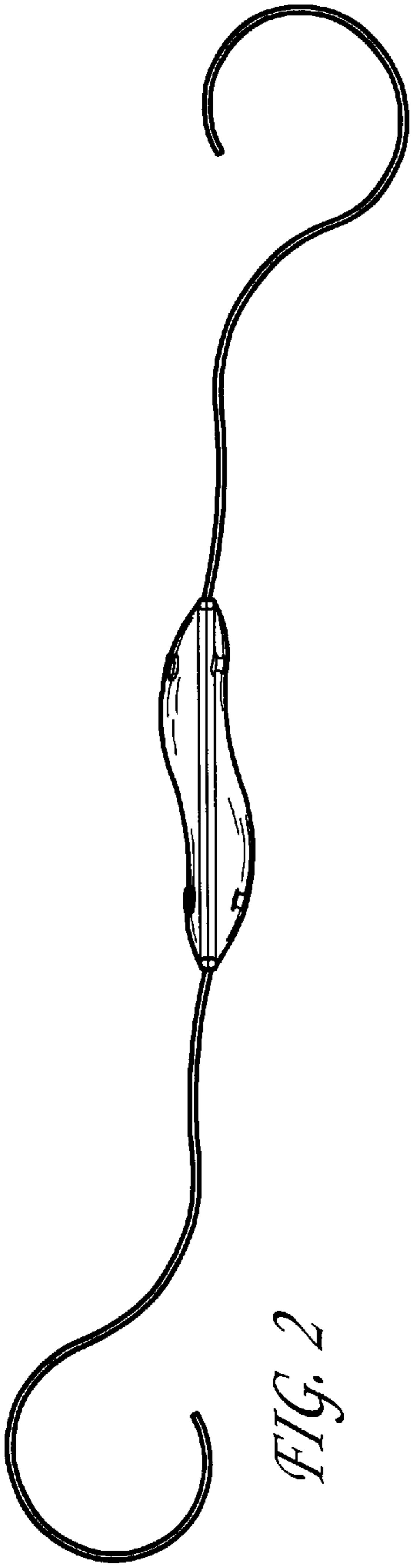


FIG. 2

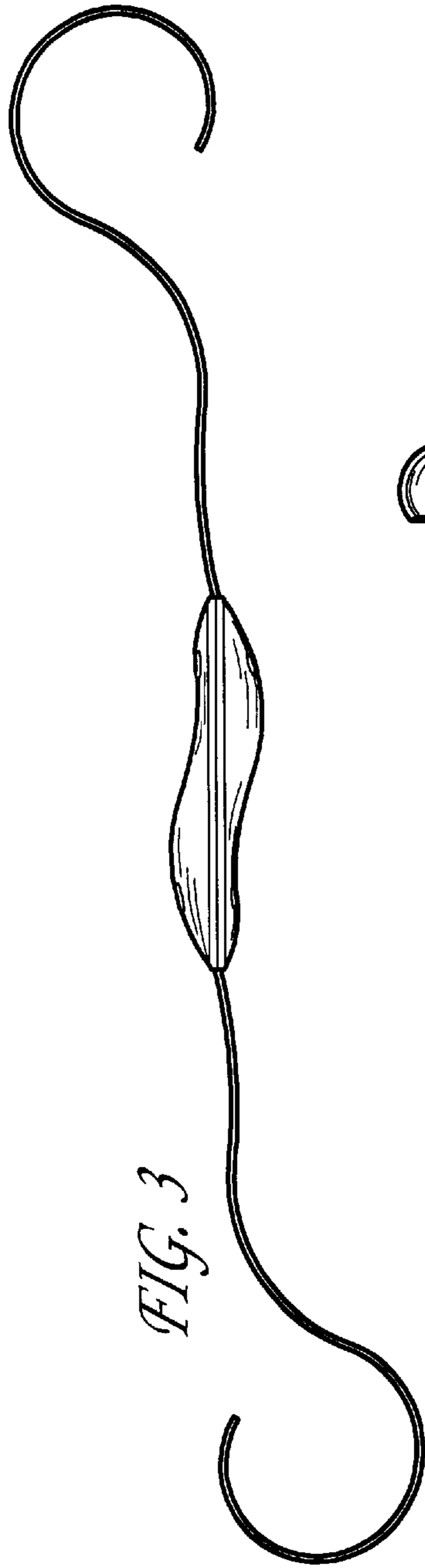


FIG. 3

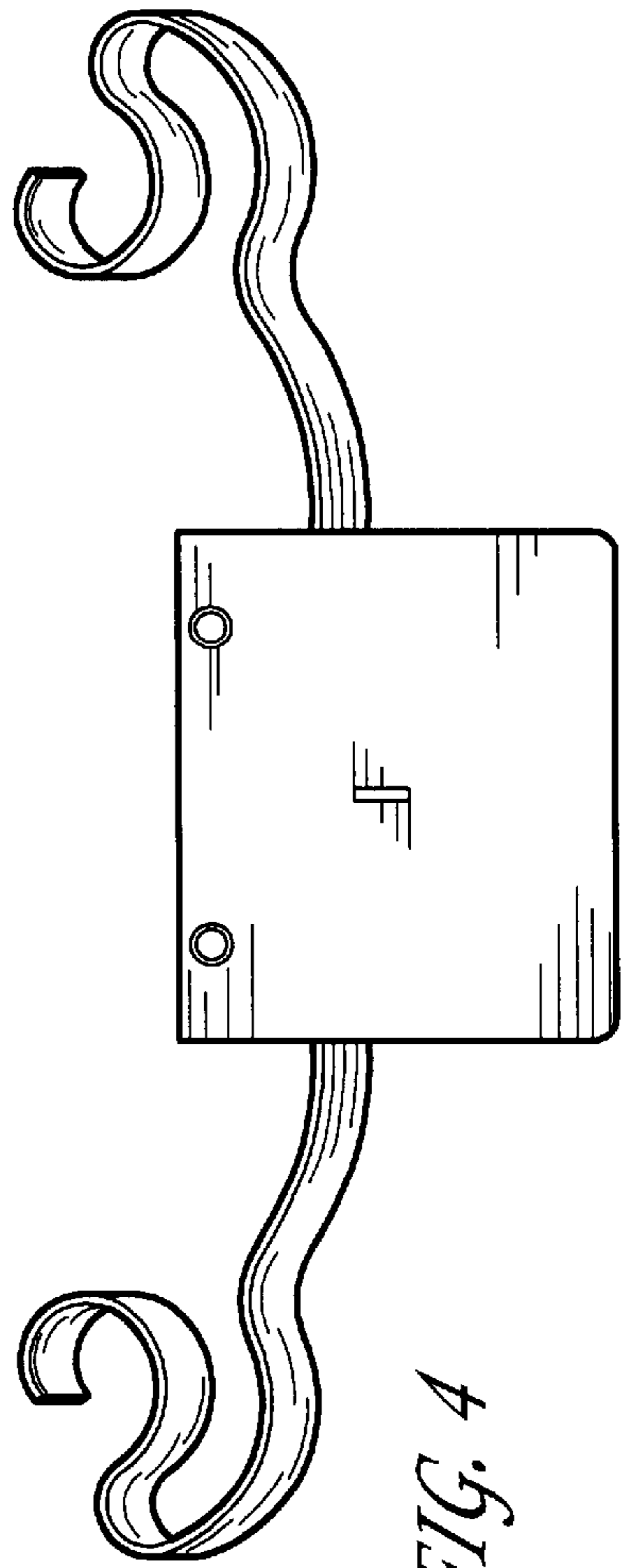


FIG. 4

