



US00D477863S

(12) **United States Design Patent**
Singtoroj

(10) **Patent No.:** **US D477,863 S**

(45) **Date of Patent:** **** Jul. 29, 2003**

(54) **SHOWER SLIDE BAR**

(75) Inventor: **Yos Singtoroj**, Anaheim, CA (US)

(73) Assignee: **Newfrey LLC**, Newark, DE (US)

(**) Term: **14 Years**

(21) Appl. No.: **29/158,395**

(22) Filed: **Apr. 3, 2002**

(51) **LOC (7) Cl.** **23-02**

(52) **U.S. Cl.** **D23/304**

(58) **Field of Search** D23/213, 223,
D23/229, 273, 275, 283, 303, 304; 4/552,
555, 567-568, 596-605, 615, 616, 617,
618, 900, 903

(56) **References Cited**

U.S. PATENT DOCUMENTS

3,837,013 A	9/1974	Davis et al.
4,174,822 A	11/1979	Larsson
D266,212 S	9/1982	Haug
D291,912 S	9/1987	Fabian
D294,286 S	2/1988	Fabian
D333,339 S	2/1993	Klose
D339,492 S	9/1993	Klose
5,481,765 A	1/1996	Wang
D370,250 S	5/1996	Fawcett et al.
D378,401 S	3/1997	Neufeld et al.
5,632,049 A	5/1997	Chen
D385,333 S	10/1997	Caroen et al.
D387,420 S	12/1997	Kühne
D391,629 S	3/1998	Gottwald
5,749,552 A	5/1998	Fan

D425,608 S	5/2000	Haug et al.
D428,123 S	7/2000	Mahlmann
D428,124 S	7/2000	Starck
D429,322 S	8/2000	Haug et al.
D433,589 S	11/2000	Haug et al.
D439,961 S	4/2001	Fiegl et al.
D442,680 S	5/2001	Chan
D443,685 S	6/2001	Gottwald
D457,943 S	5/2002	Crawford et al.

Primary Examiner—Louis S. Zarfaz

Assistant Examiner—Robert A. Delehanty

(74) *Attorney, Agent, or Firm*—Richard J. Veltman; John D. Del Ponti

(57) **CLAIM**

The ornamental design for a shower slide bar, as shown.

DESCRIPTION

FIG. 1 is a perspective view of the new design for a shower slide bar;

FIG. 2 is a front elevational view of the new design for a shower slide bar;

FIG. 3 is a rear elevational view of the new design for a shower slide bar;

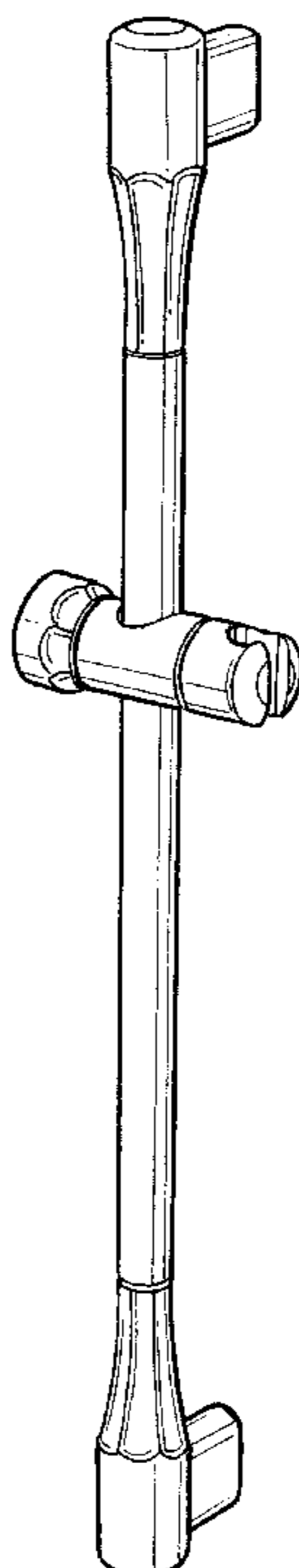
FIG. 4 is a top plan view of the new design for a shower slide bar;

FIG. 5 is a bottom plan view of the new design for a shower slide bar;

FIG. 6 is a right side elevational view of the new design for a shower slide bar; and,

FIG. 7 is a left side elevational view of the new design for a shower slide bar.

1 Claim, 2 Drawing Sheets



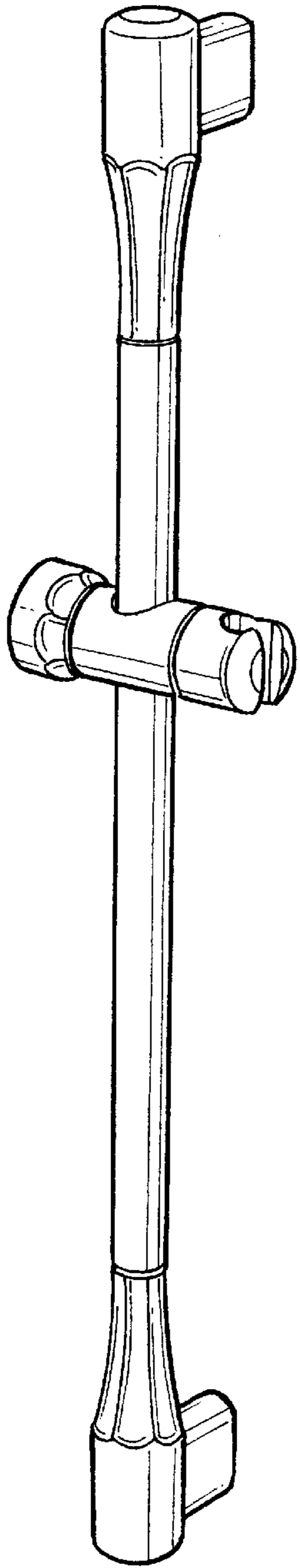


FIG. 1

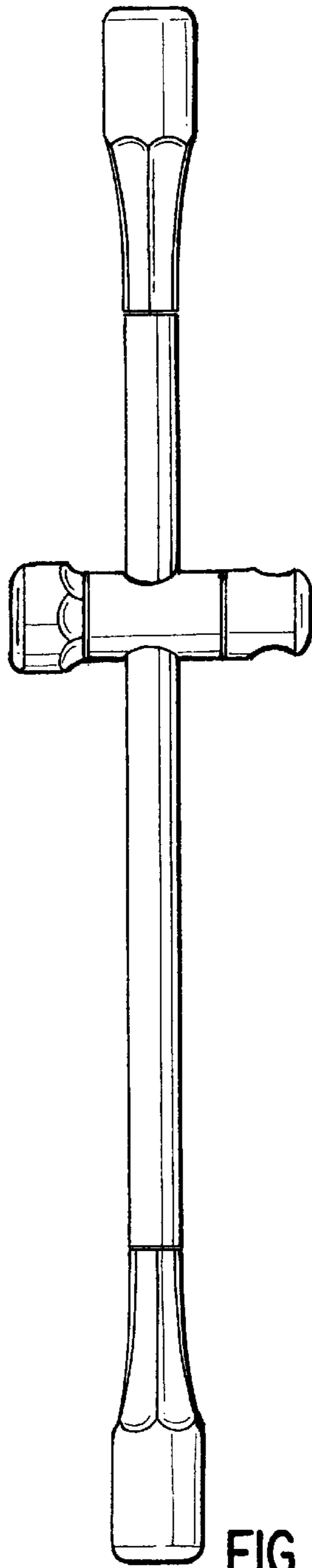


FIG. 2

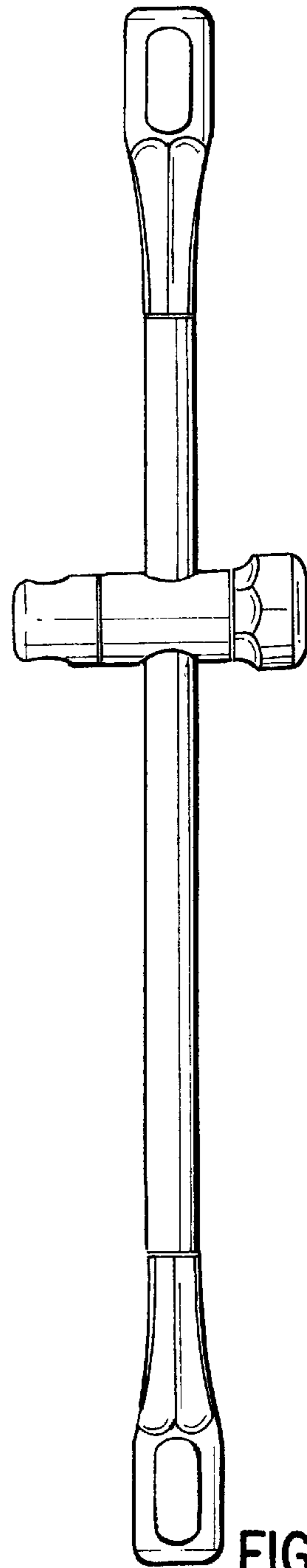


FIG. 3

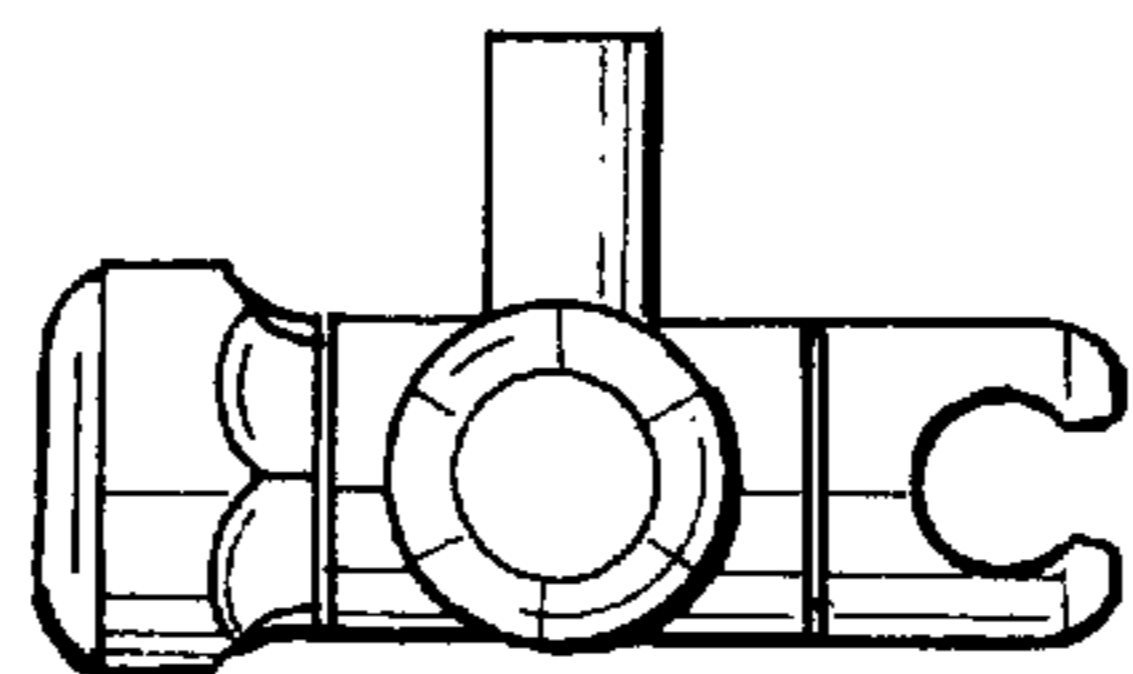


FIG. 4

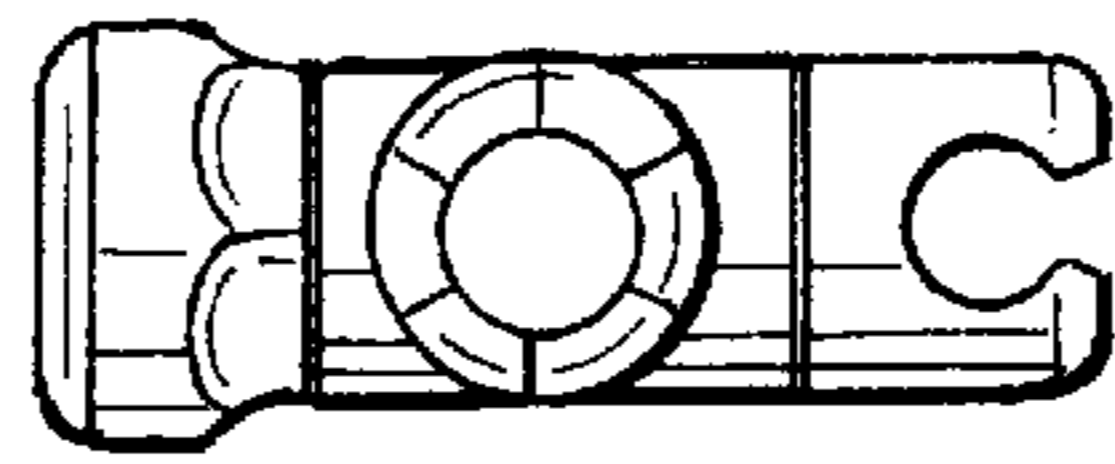


FIG. 5

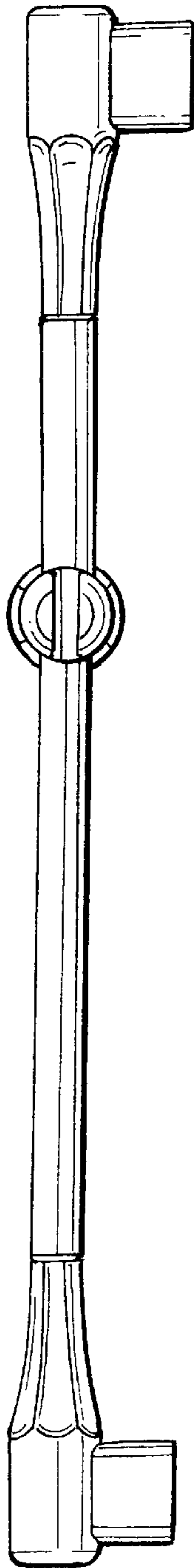


FIG. 6

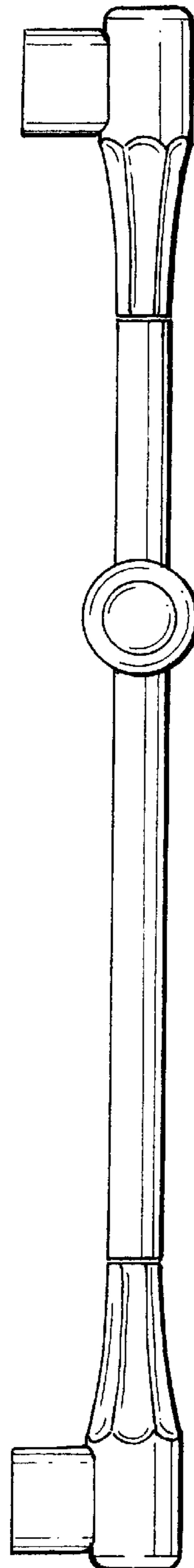


FIG. 7