



US00D477859S

(12) **United States Design Patent**  
**Citterio**

(10) **Patent No.:** **US D477,859 S**

(45) **Date of Patent:** **\*\* Jul. 29, 2003**

(54) **SANITARY FAUCET**

(75) Inventor: **Antonio Citterio**, Milan (IT)

(73) Assignee: **Hansgrohe AG**, Schiltach (DE)

(\*\*) Term: **14 Years**

(21) Appl. No.: **29/166,717**

(22) Filed: **Sep. 3, 2002**

(30) **Foreign Application Priority Data**

Mar. 5, 2002 (DE) ..... 4 02 01 868

(51) **LOC (7) Cl.** ..... **23-01**

(52) **U.S. Cl.** ..... **D23/241**

(58) **Field of Search** ..... D23/238-243,  
D23/250-257; 4/675-678; 137/801

(56) **References Cited**

**U.S. PATENT DOCUMENTS**

D86,672 S	*	4/1932	Ferguson	.....	D23/250
D87,758 S	*	9/1932	Pope	.....	D23/241
D106,319 S	*	10/1937	Morgan	.....	D23/241
D265,229 S	*	6/1982	Paul	.....	D23/242
D267,110 S	*	11/1982	Arnolds	.....	D23/242
D297,756 S	*	9/1988	Paul	.....	D23/242
D297,758 S	*	9/1988	Paul	.....	D23/252
D461,539 S	*	8/2002	Gottwald	.....	D23/255

**OTHER PUBLICATIONS**

RubINETTERIE Bandini, brochure "The Collections," two pages, Mar. 2002.

RubINETTERIE Alpi, brochure "Balamoral Collection," two pages, 1999.

Renata Piralla, catalog "Sign Collection 2001-2002," Mar. 2002.

RubINETTERIE Cristina, catalog "Collection 2000/2," pp. 18, 19, 2000.

RubINETTERIE Cristina, catalog "disegno," on page, Jan., 2001.

\* cited by examiner

*Primary Examiner*—Louis S. Zarfes

*Assistant Examiner*—Gregory Andoll

(74) *Attorney, Agent, or Firm*—Daune Morris LLP

(57) **CLAIM**

The ornamental design for a sanitary faucet, as shown and described.

**DESCRIPTION**

FIG. 1: is a side perspective view of the sanitary faucet showing my new design;

FIG. 2: is a side elevation view thereof, the opposite side being a mirror image;

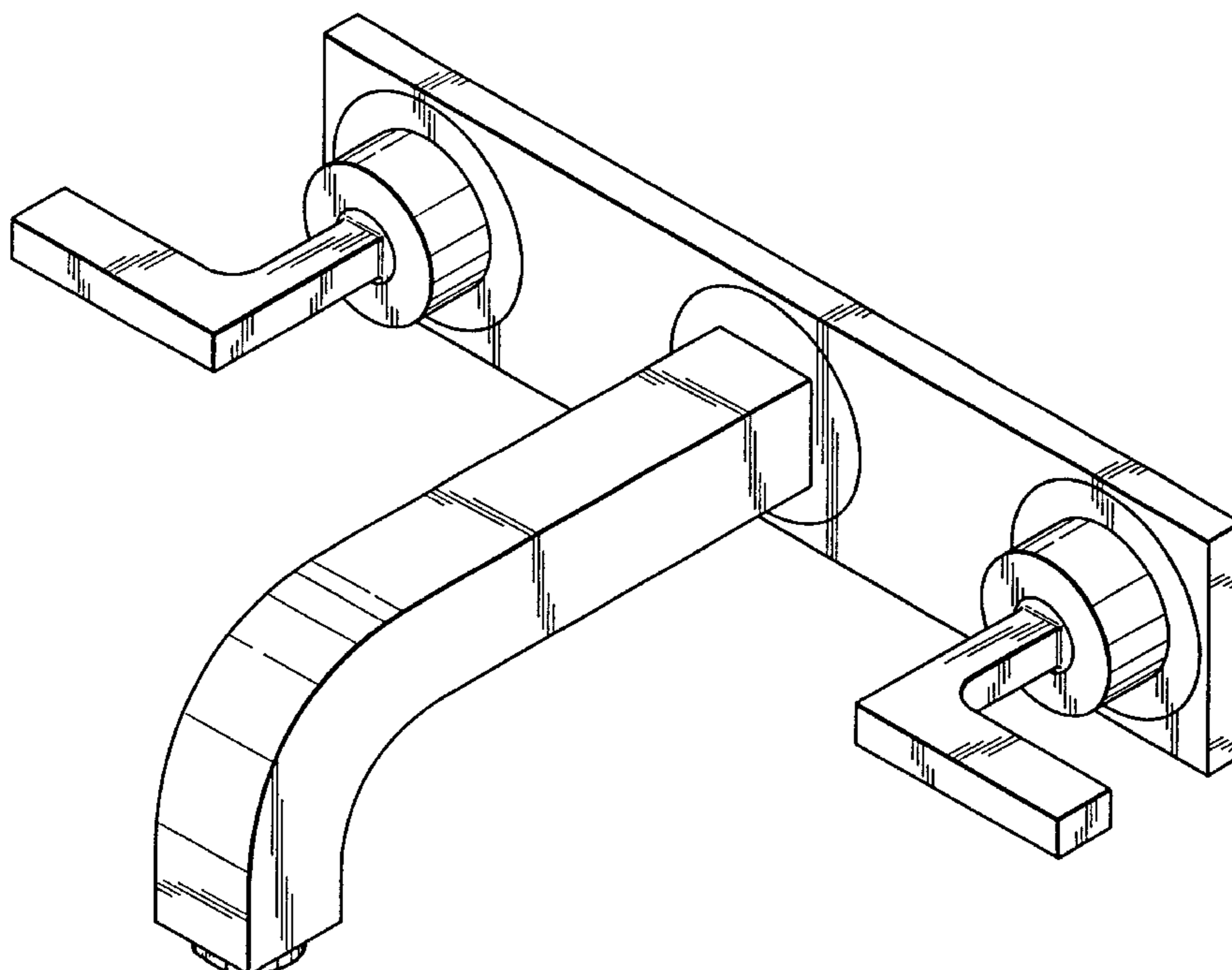
FIG. 3: is a top plan view thereof;

FIG. 4: is a front elevation view thereof;

FIG. 5: is a rear elevation view thereof; and,

FIG. 6: is a bottom plan view thereof.

**1 Claim, 3 Drawing Sheets**



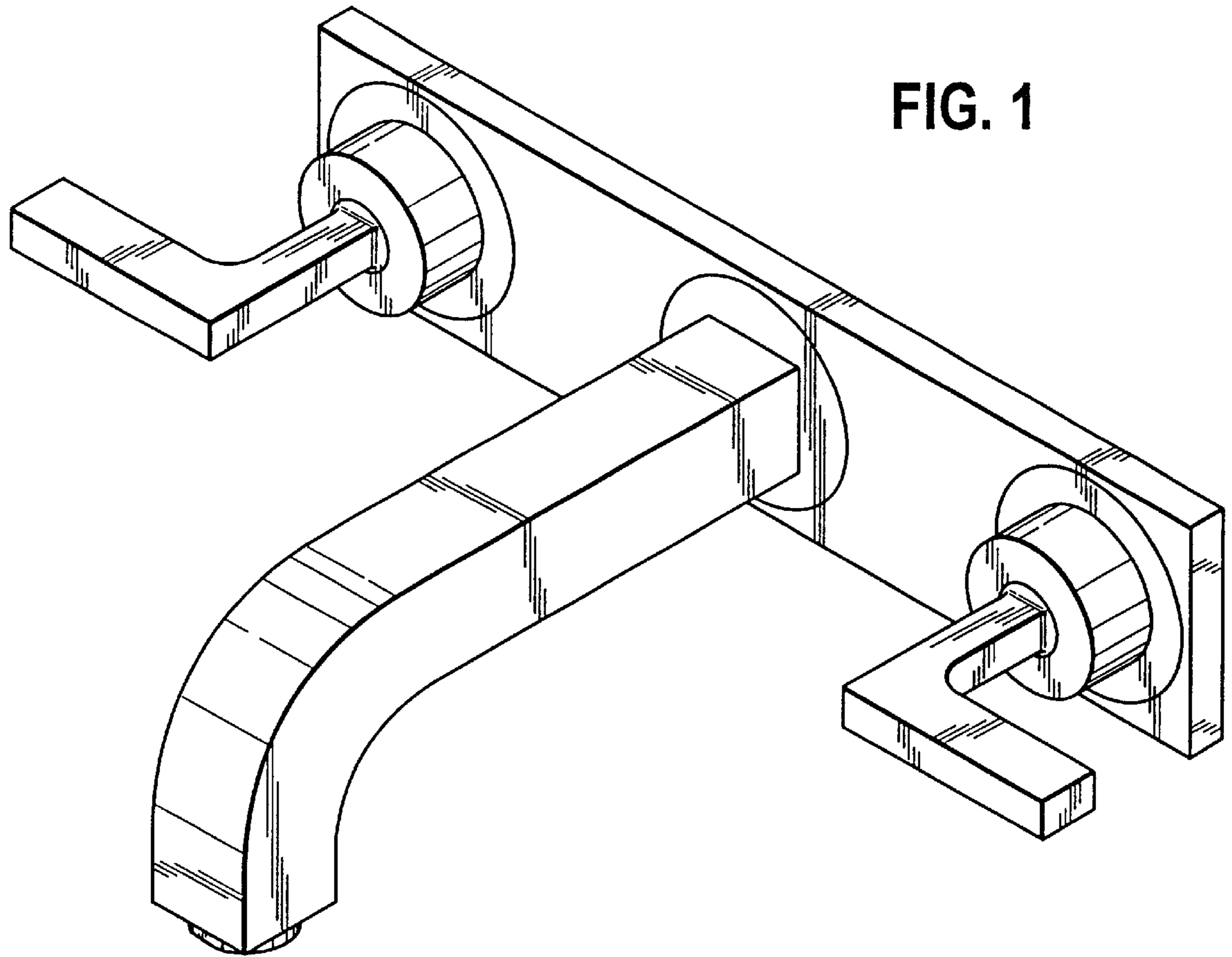


FIG. 1

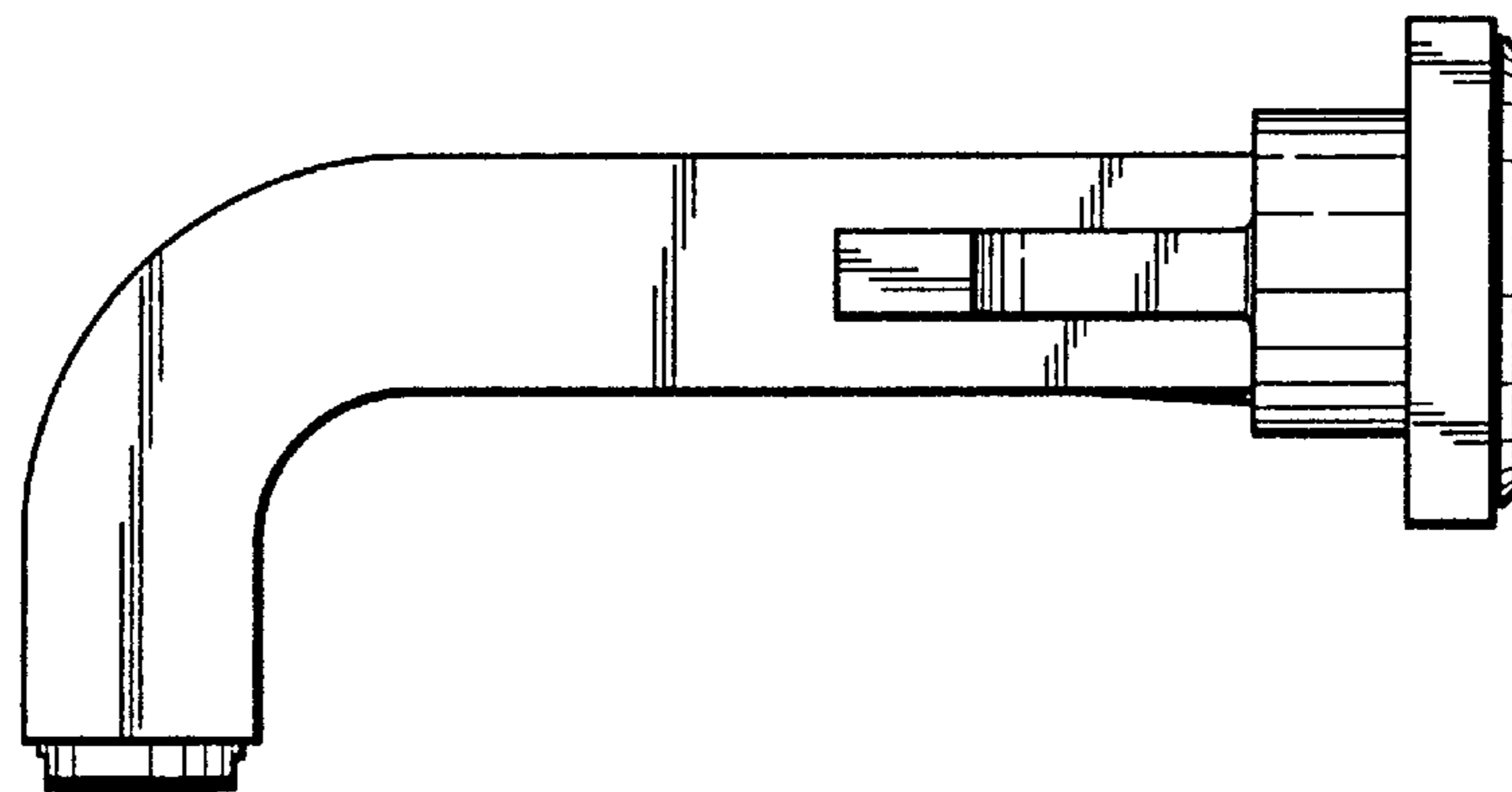


FIG. 2

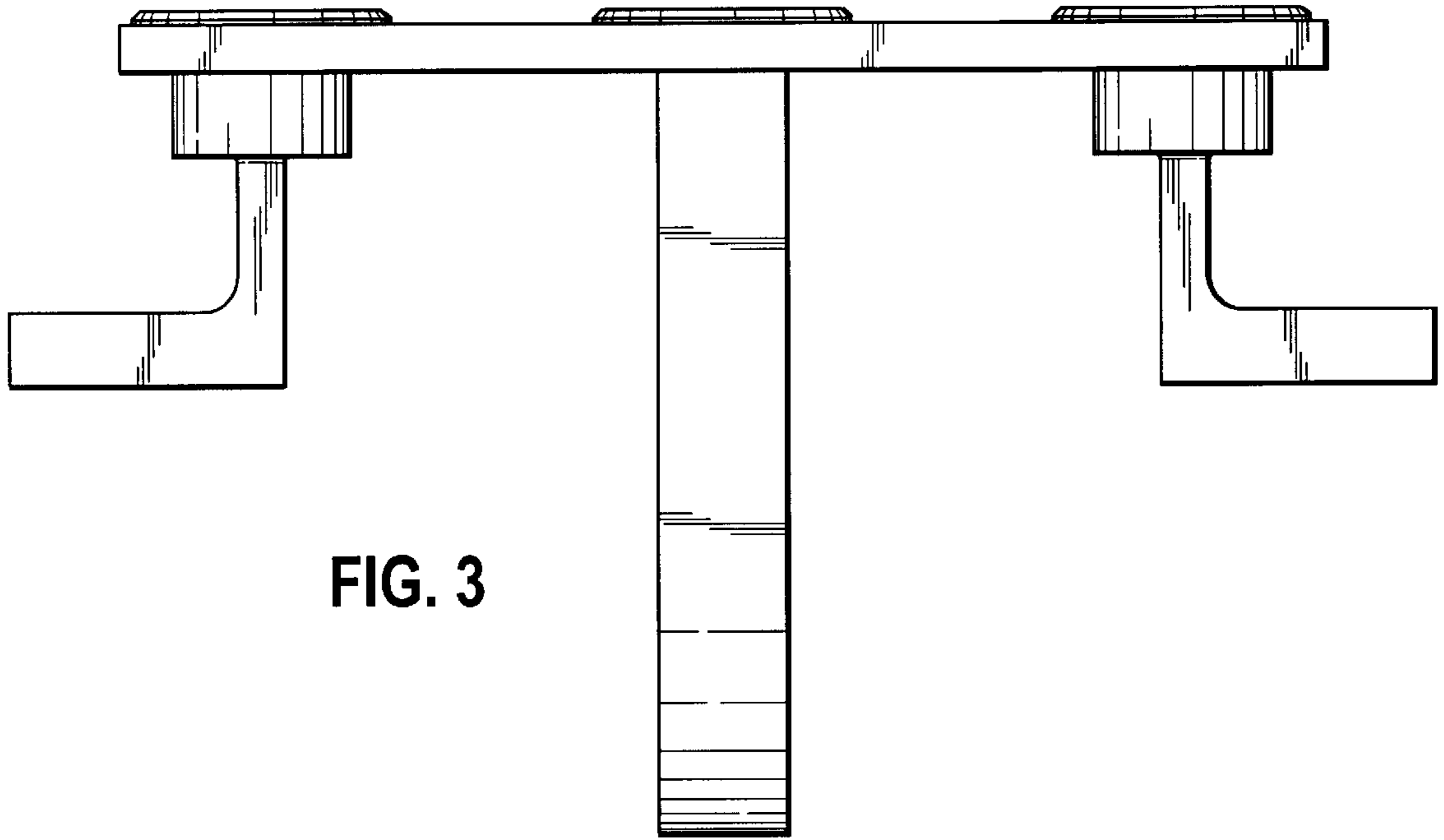


FIG. 3

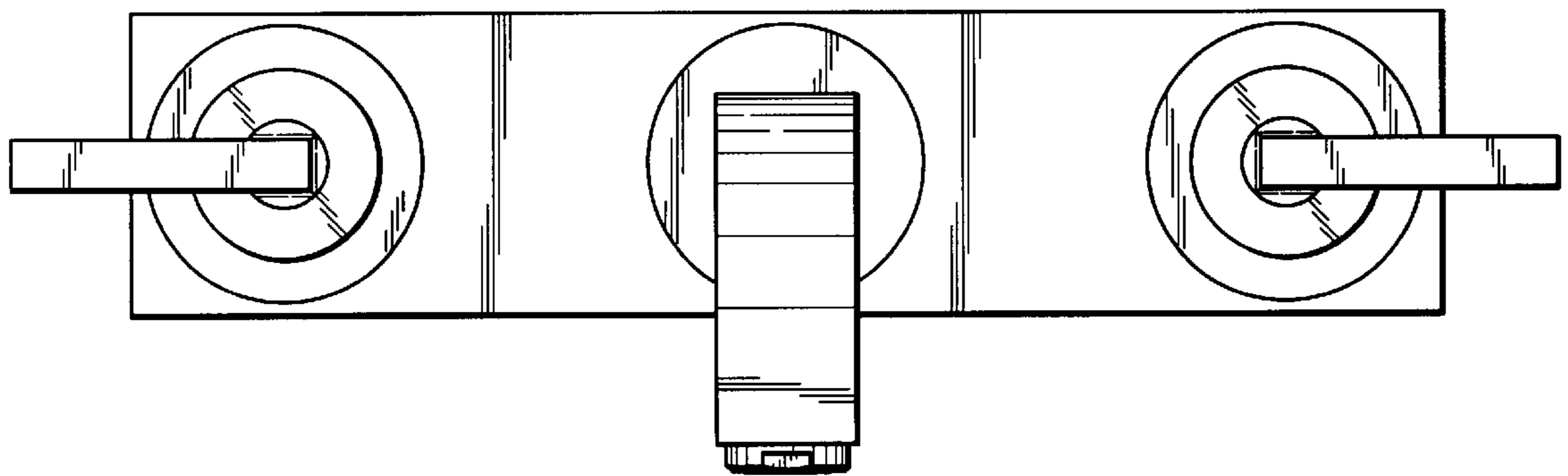


FIG. 4

FIG. 5

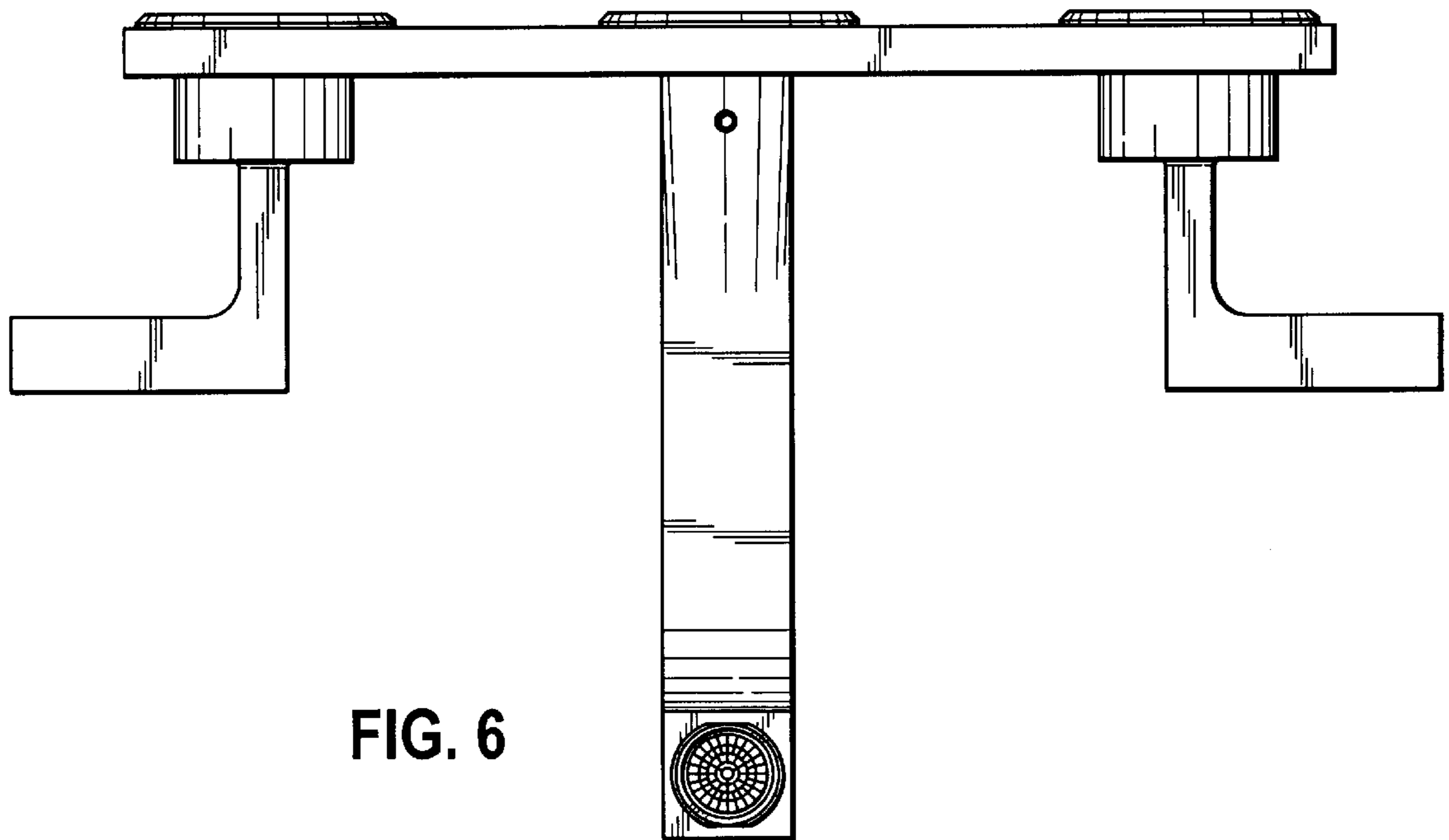
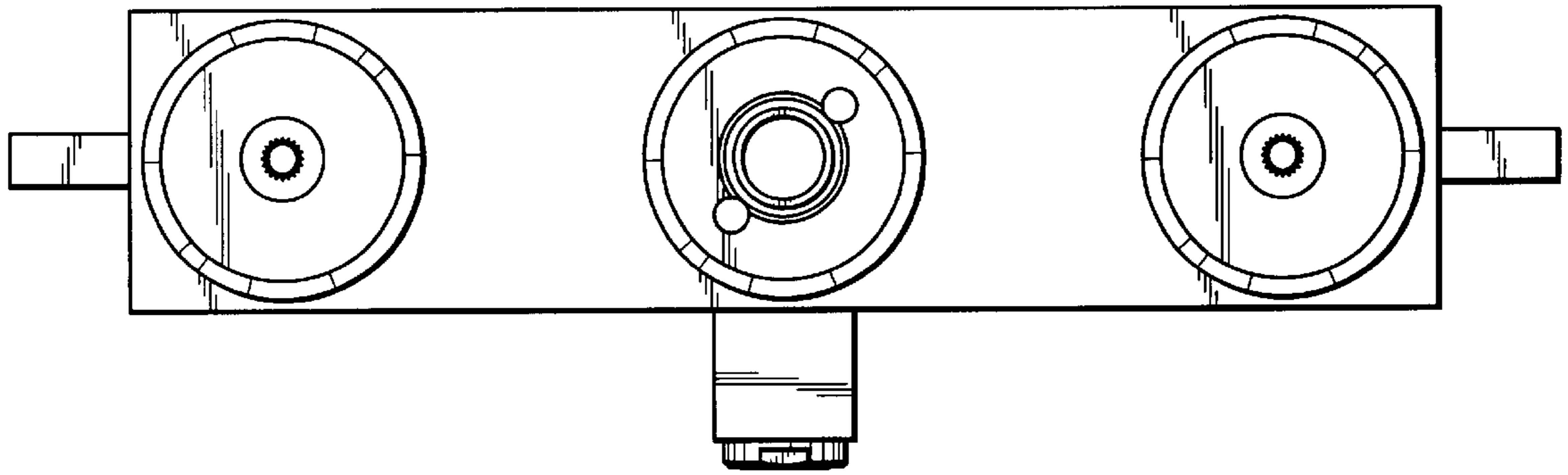


FIG. 6