



US00D477847S

(12) **United States Design Patent**
Gosse

(10) **Patent No.:** **US D477,847 S**

(45) **Date of Patent:** **** Jul. 29, 2003**

(54) **PENCIL SHARPENER**

(75) **Inventor:** **Eric Gosse, Cruseilles (FR)**

(73) **Assignee:** **Manufacture d'Articles de Precision et de Dessin—M.A.P.E.D. (FR)**

(**) **Term:** **14 Years**

(21) **Appl. No.:** **29/167,396**

(22) **Filed:** **Sep. 12, 2002**

(30) **Foreign Application Priority Data**

Jun. 3, 2002 (WO) DM/060 238

(51) **LOC (7) Cl.** **19-06**

(52) **U.S. Cl.** **D19/73**

(58) **Field of Search** D19/35, 36, 65,
D19/73, 74, 75, 95, 99, 100; 144/28.1,
28.11, 28.2–28.7, 28.72, 28.8, 28.9, 30;
30/451–458, 459

(56) **References Cited**

U.S. PATENT DOCUMENTS

2,708,905 A * 5/1955 Randall 30/454
D193,457 S * 8/1962 Fleming D19/73

3,097,629 A * 7/1963 Fleming et al. 30/454
D241,743 S * 10/1976 Lemieux D19/73
4,513,798 A * 4/1985 Luttgens 144/28.11
D420,390 S * 2/2000 Donaldson D19/73

* cited by examiner

Primary Examiner—Martie K. Holtje

(74) *Attorney, Agent, or Firm*—Cantor Colburn LLP

(57) **CLAIM**

The ornamental design for a pencil sharpener, as shown and described.

DESCRIPTION

FIG. 1 is a front perspective view of a pencil sharpener, showing my new design;
FIG. 2 is a rear perspective view thereof;
FIG. 3 is a front elevational view thereof;
FIG. 4 is a rear elevational view thereof;
FIG. 5 is a side elevational view thereof;
FIG. 6 is another side elevational view thereof taken opposite to that shown in FIG. 5;
FIG. 7 is a top plan view thereof; and,
FIG. 8 is a bottom plan view thereof.

1 Claim, 4 Drawing Sheets

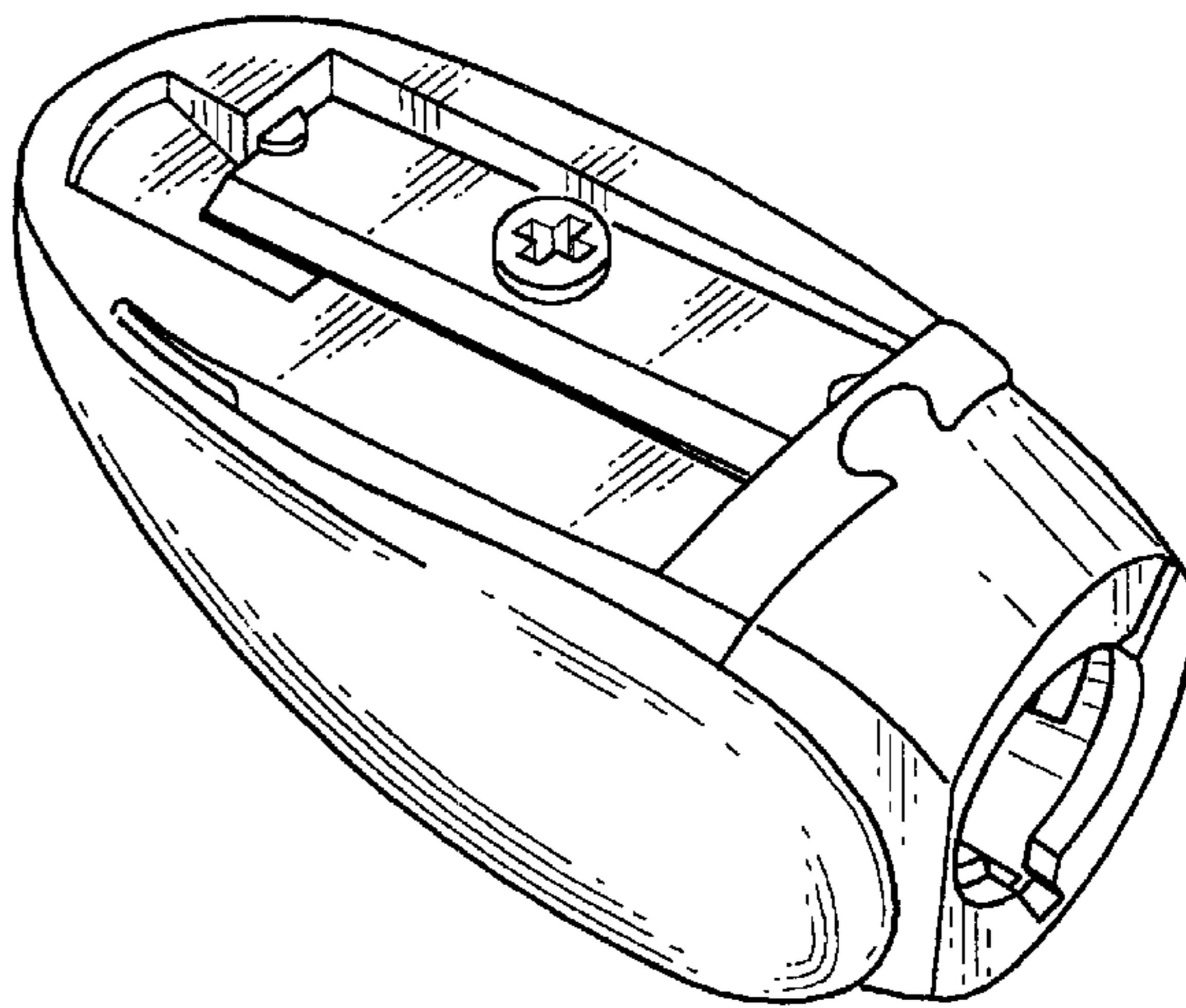
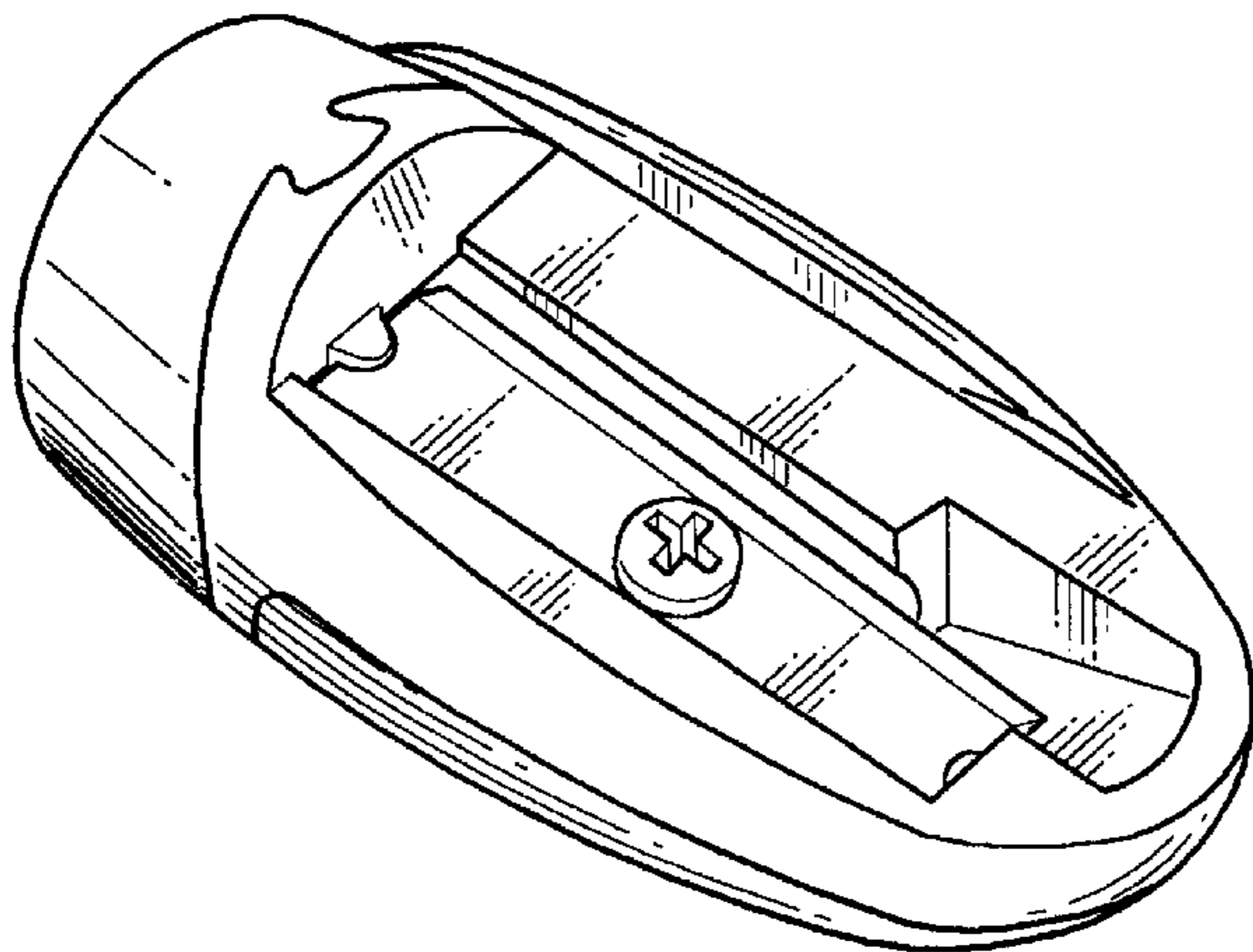


FIG. 1

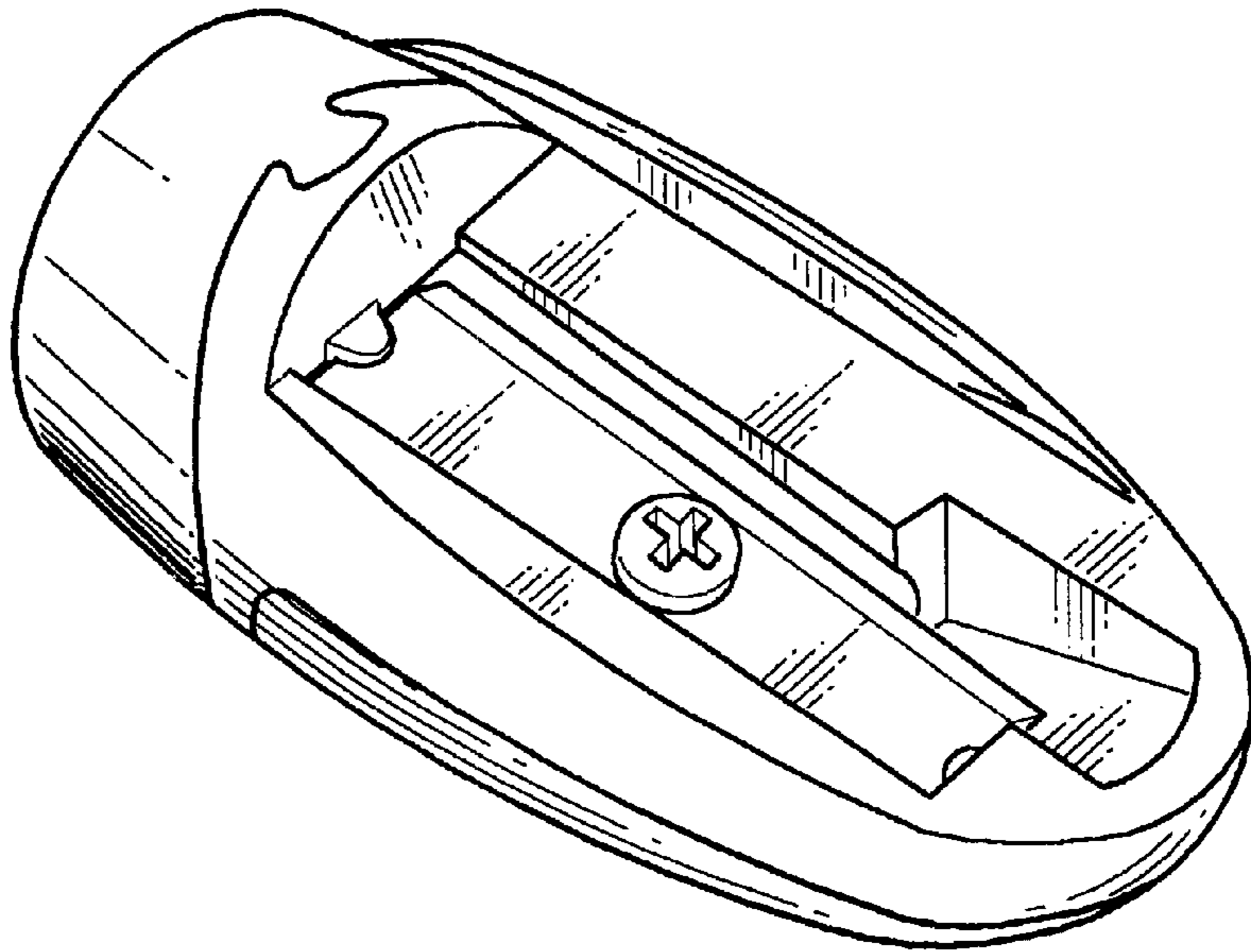


FIG. 2

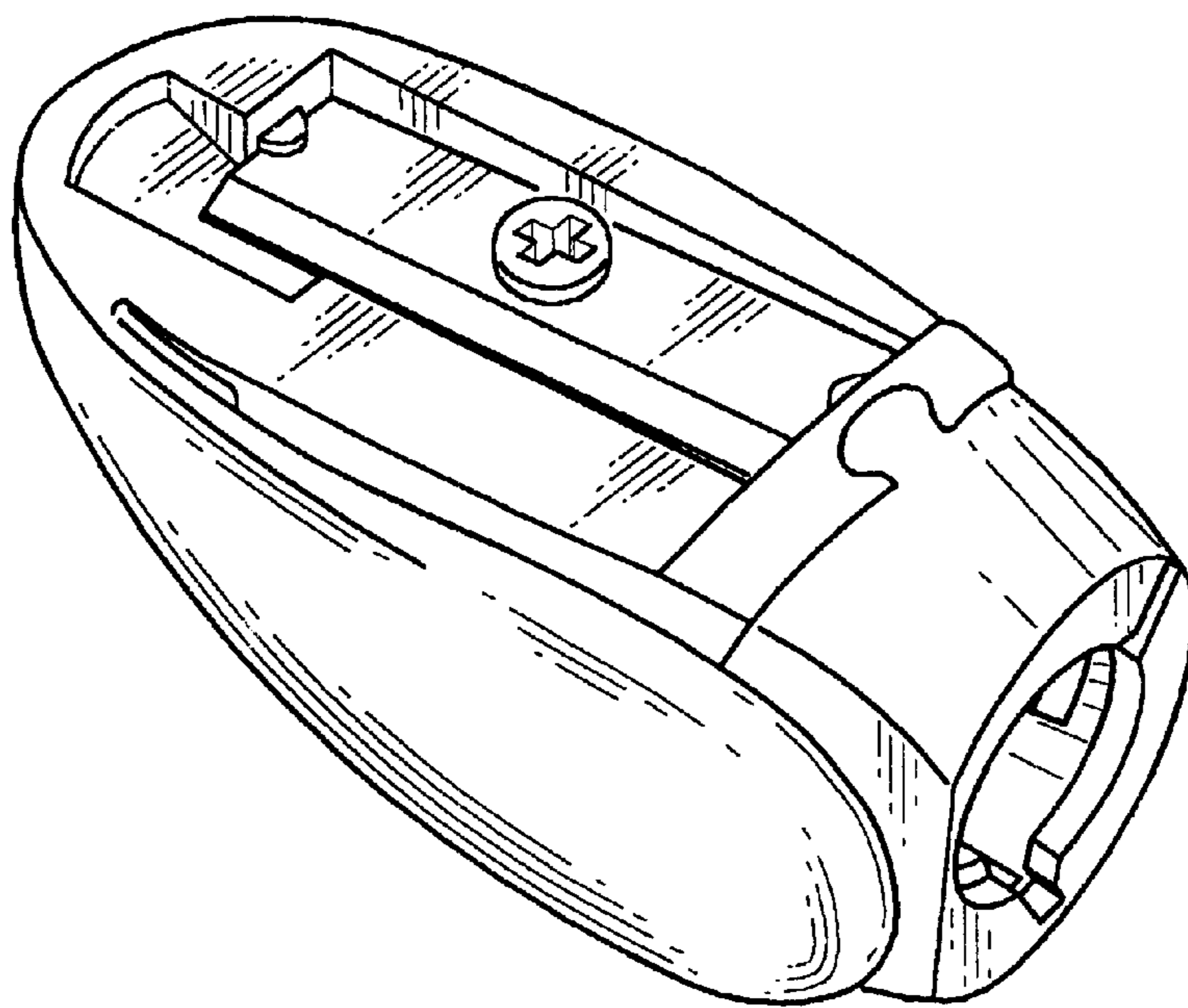


FIG. 3

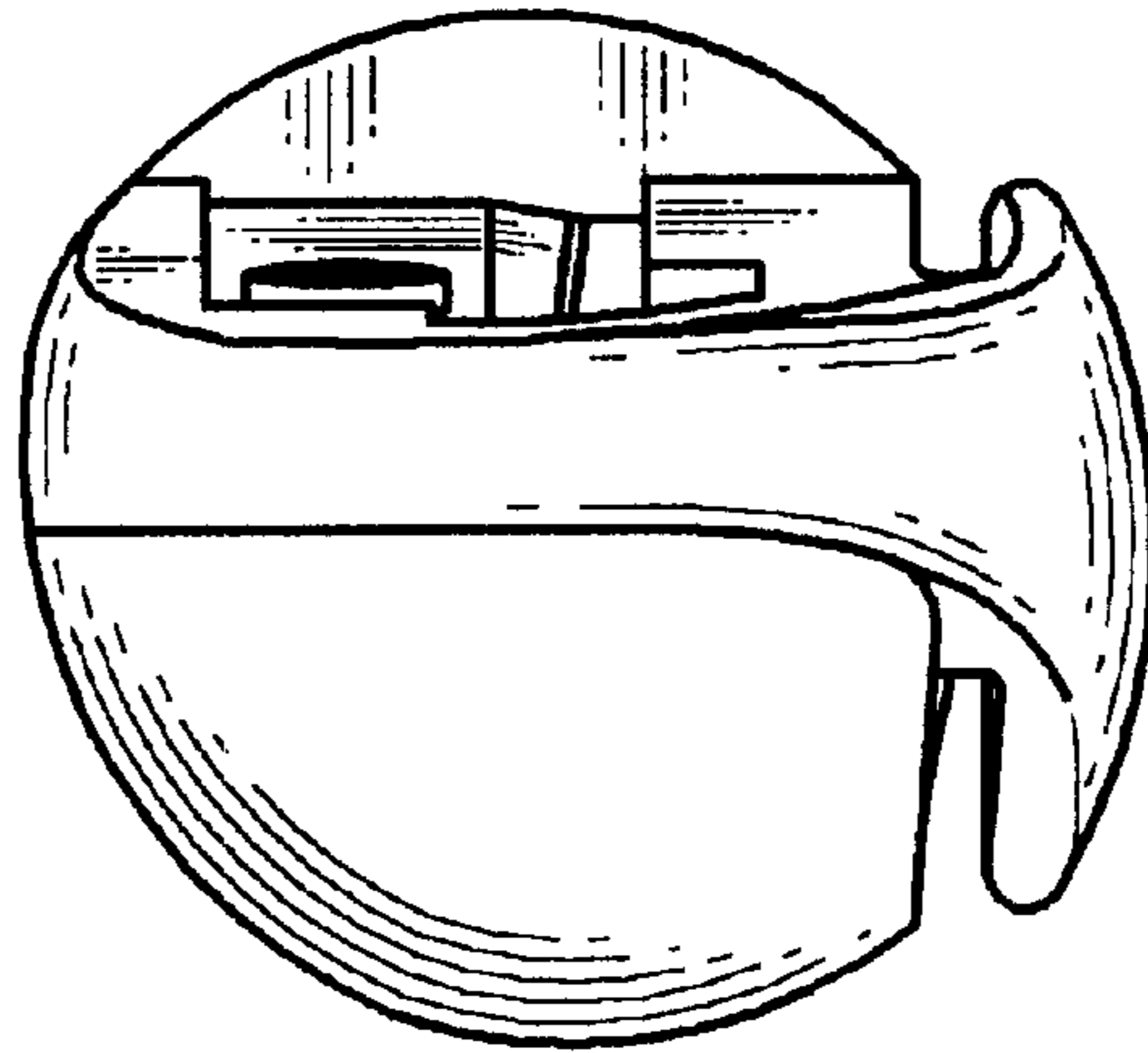


FIG. 4

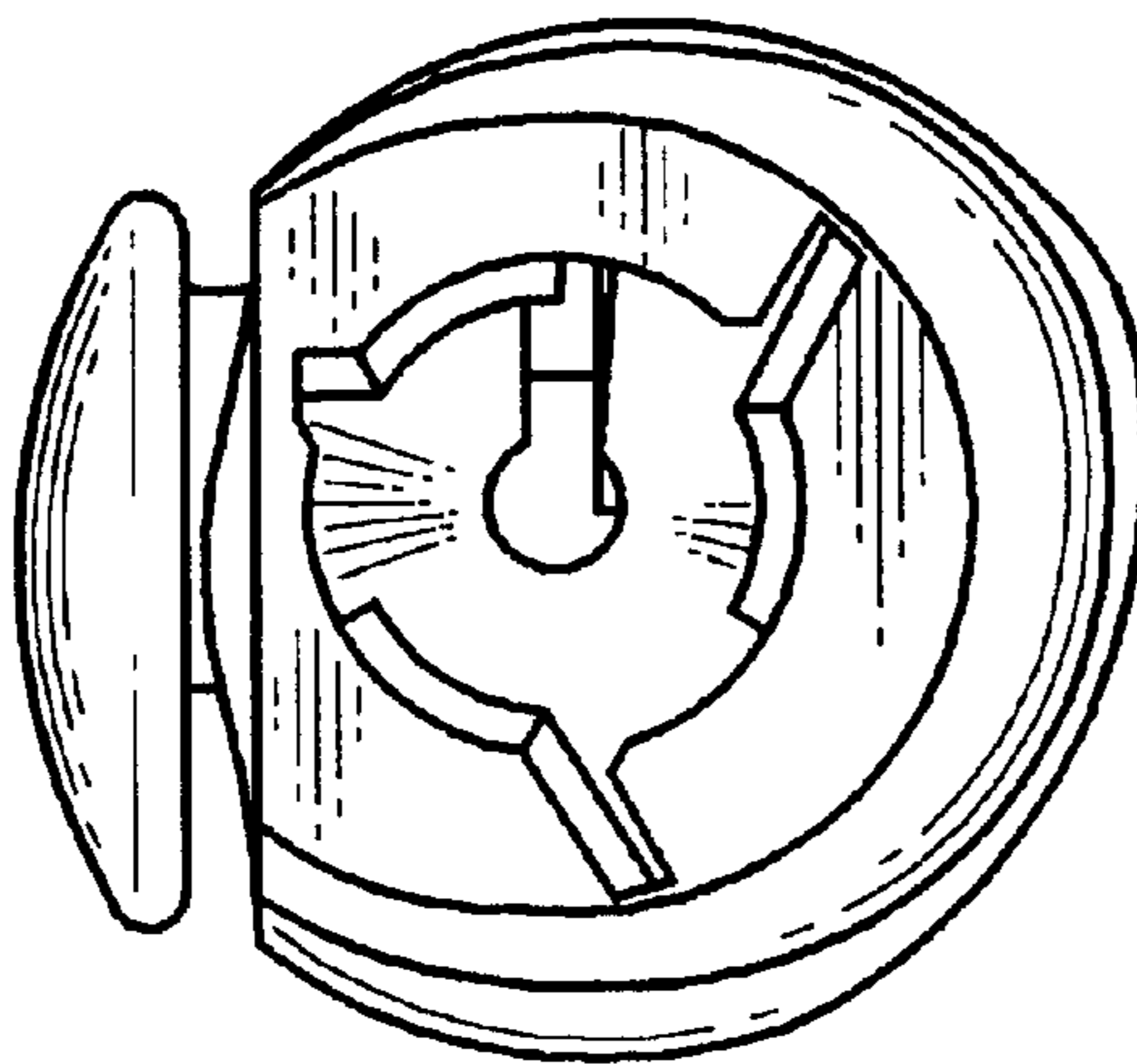


FIG. 5

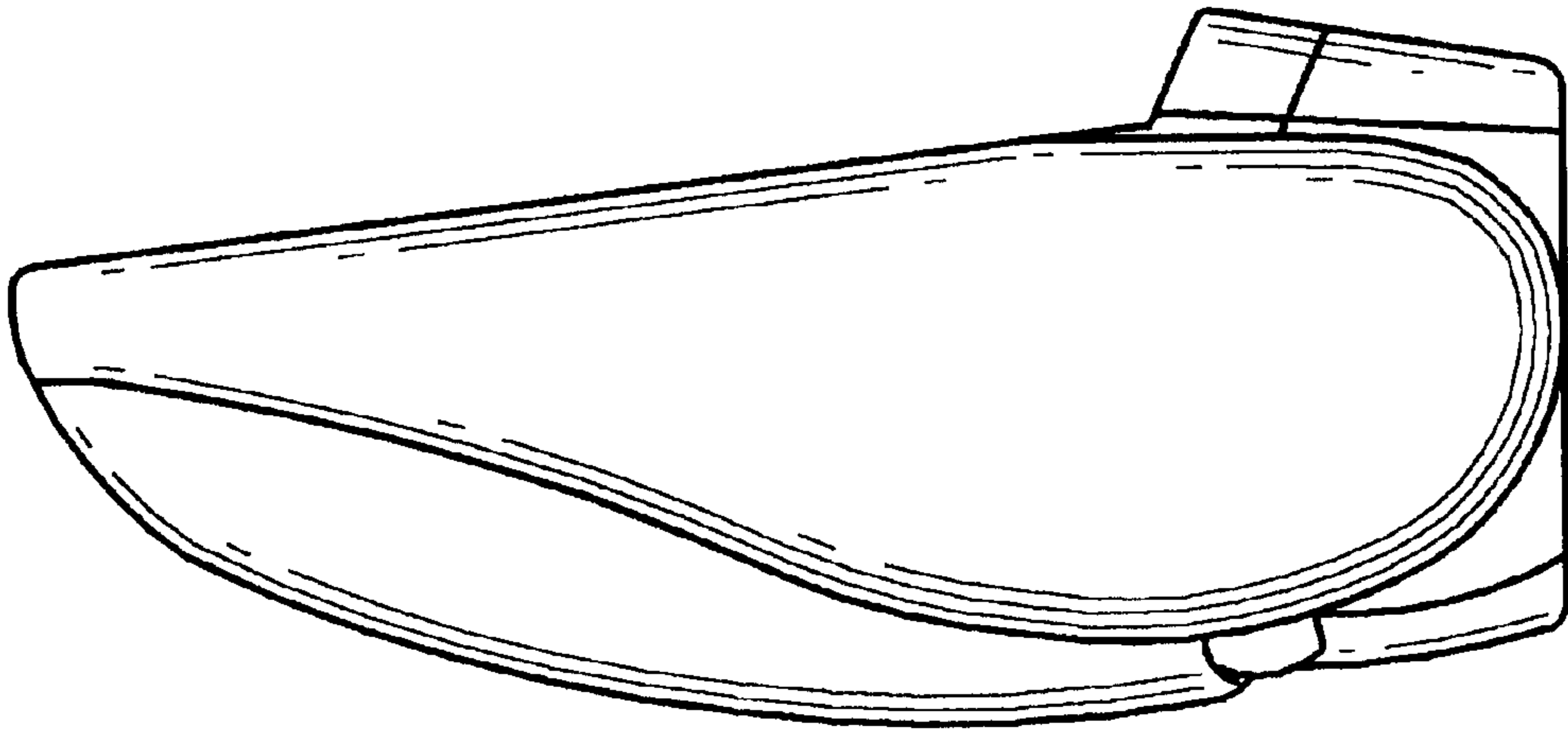


FIG. 6

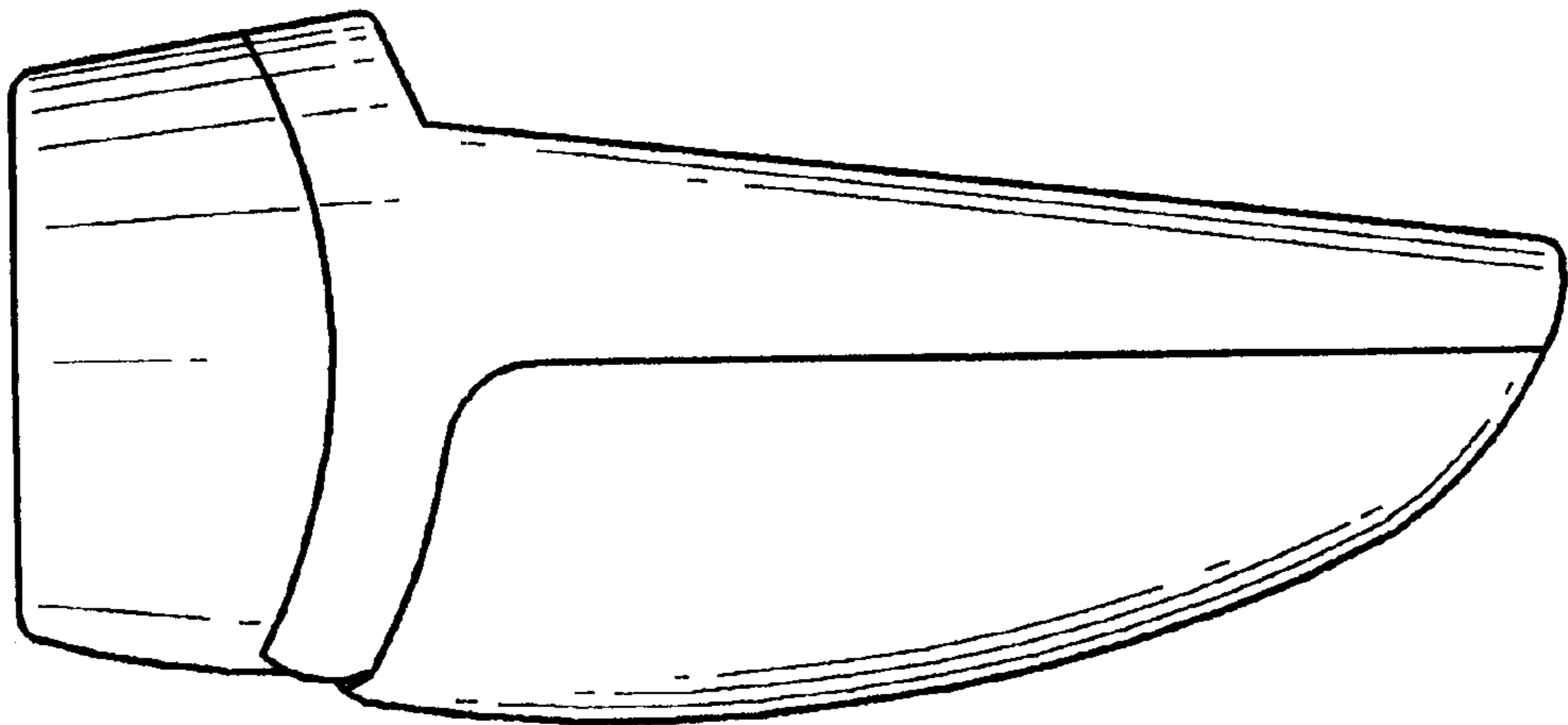


FIG. 7

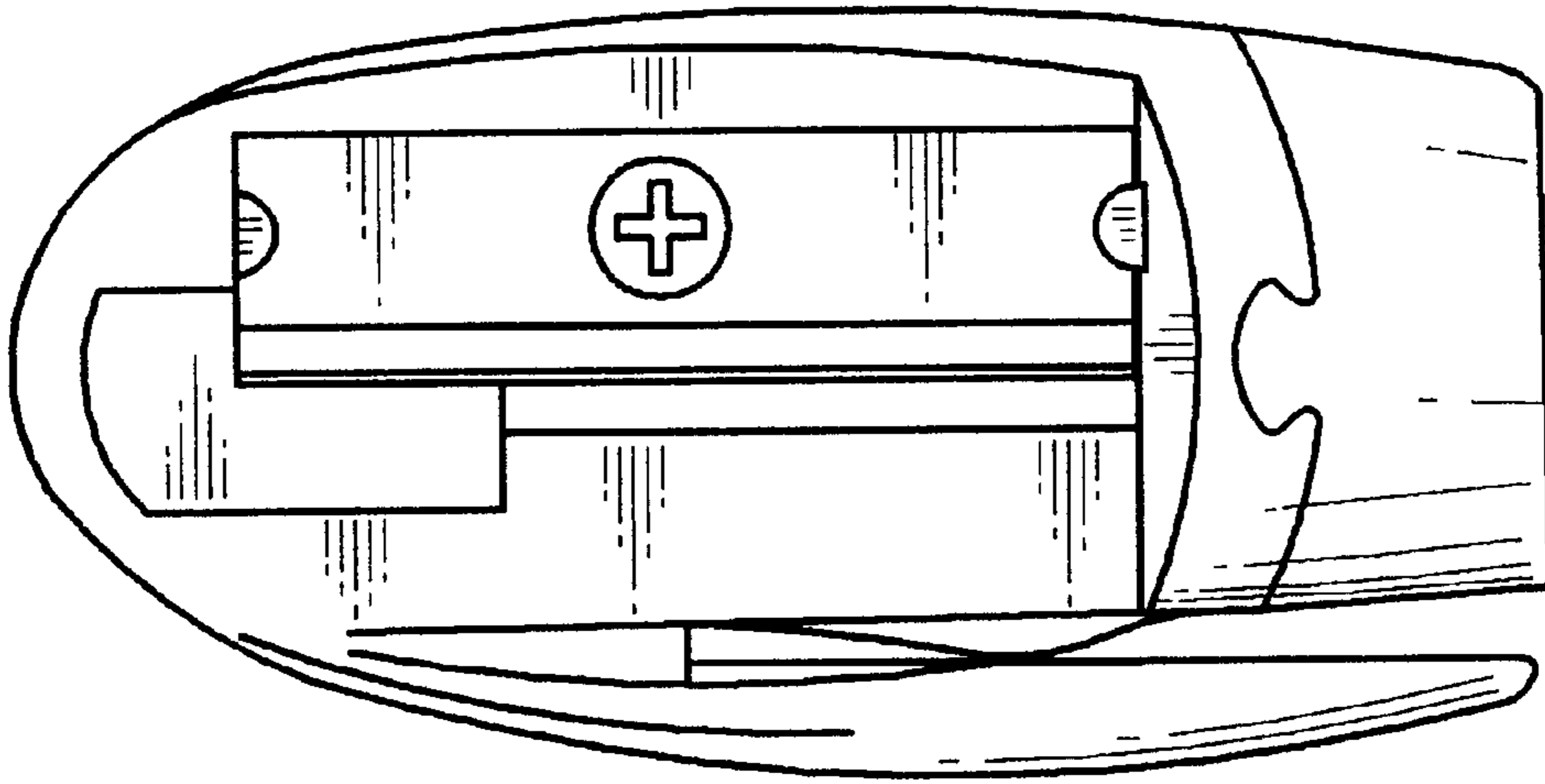


FIG. 8

