



US00D477846S

(12) **United States Design Patent**
Racamier

(10) **Patent No.:** **US D477,846 S**

(45) **Date of Patent:** **** Jul. 29, 2003**

(54) **OFFICE PERFORATOR**

(75) Inventor: **Daniel Racamier**, La Balme de Sillingy (FR)

(73) Assignee: **Manufacture d'Articles de Precision et de Dessin - M.A.P.E.D.** (FR)

(**) Term: **14 Years**

(21) Appl. No.: **29/167,384**

(22) Filed: **Sep. 12, 2002**

(30) **Foreign Application Priority Data**

Apr. 23, 2002 (WO) DM/060 033

(51) **LOC (7) Cl.** **19-02**

(52) **U.S. Cl.** **D19/72**

(58) **Field of Search** D19/65, 72, 95, D19/99, 100; D8/49-51, 98; 30/358, 363; 83/167, 588, 618, 628, 632, 633, 571, 549, 625-627, 667, 669, 684

(56) **References Cited**

U.S. PATENT DOCUMENTS

2,474,344 A * 6/1949 Carsenter 83/167
3,073,199 A * 1/1963 Yerkes 30/358 X

3,392,913 A * 7/1968 Neilesen 83/549 X
4,036,088 A * 7/1977 Ruskin 83/167
4,656,907 A * 4/1987 Hymmen 83/571
D295,192 S * 4/1988 Lucey D19/72
5,632,188 A * 5/1997 Karlis 83/167
D445,832 S * 7/2001 Chan D19/72

* cited by examiner

Primary Examiner—Martie K. Holtje

(74) *Attorney, Agent, or Firm*—Cantor Colburn LLP

(57) **CLAIM**

The ornamental design for an office perforator, as shown and described.

DESCRIPTION

FIG. 1 is a top, front and side perspective view of an office perforator, showing my new design;
FIG. 2 is a top, rear and side perspective view thereof;
FIG. 3 is a side elevational view thereof;
FIG. 4 is a side elevational view thereof, taken from a side opposite to that shown in FIG. 3;
FIG. 5 is a top plan view thereof;
FIG. 6 is a front elevational view thereof; and,
FIG. 7 is a rear elevational view.

1 Claim, 3 Drawing Sheets

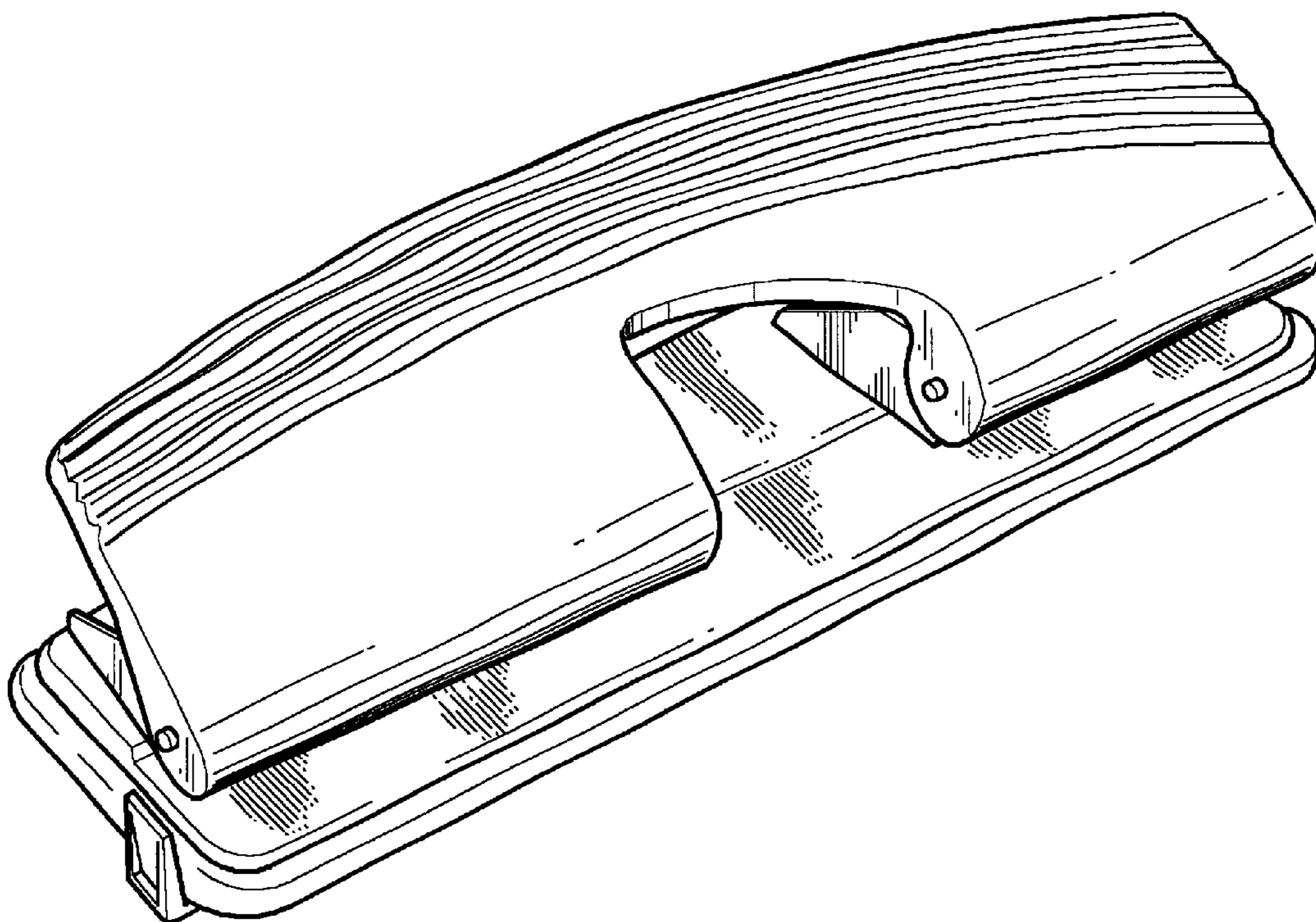


FIGURE 1

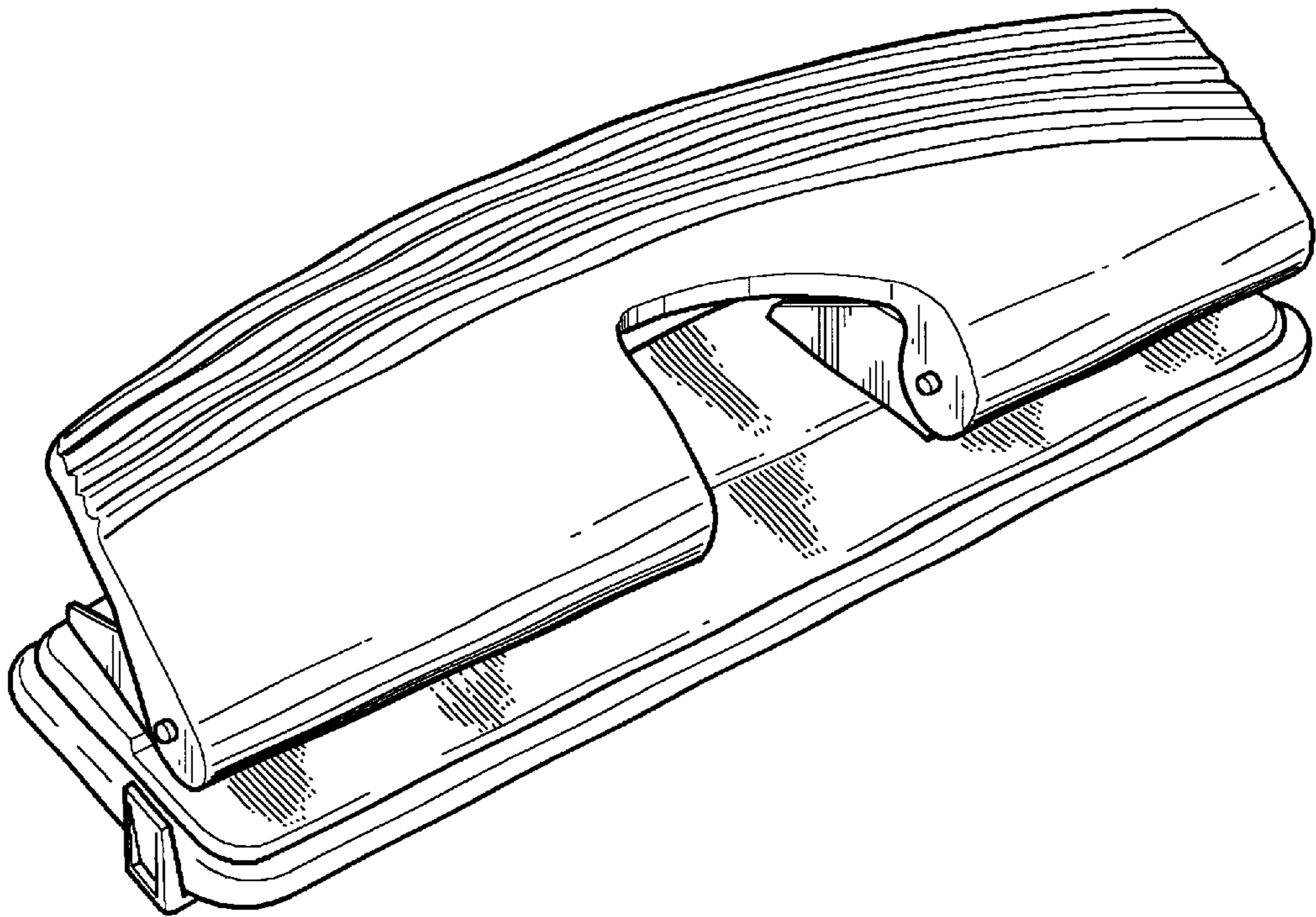


FIGURE 2

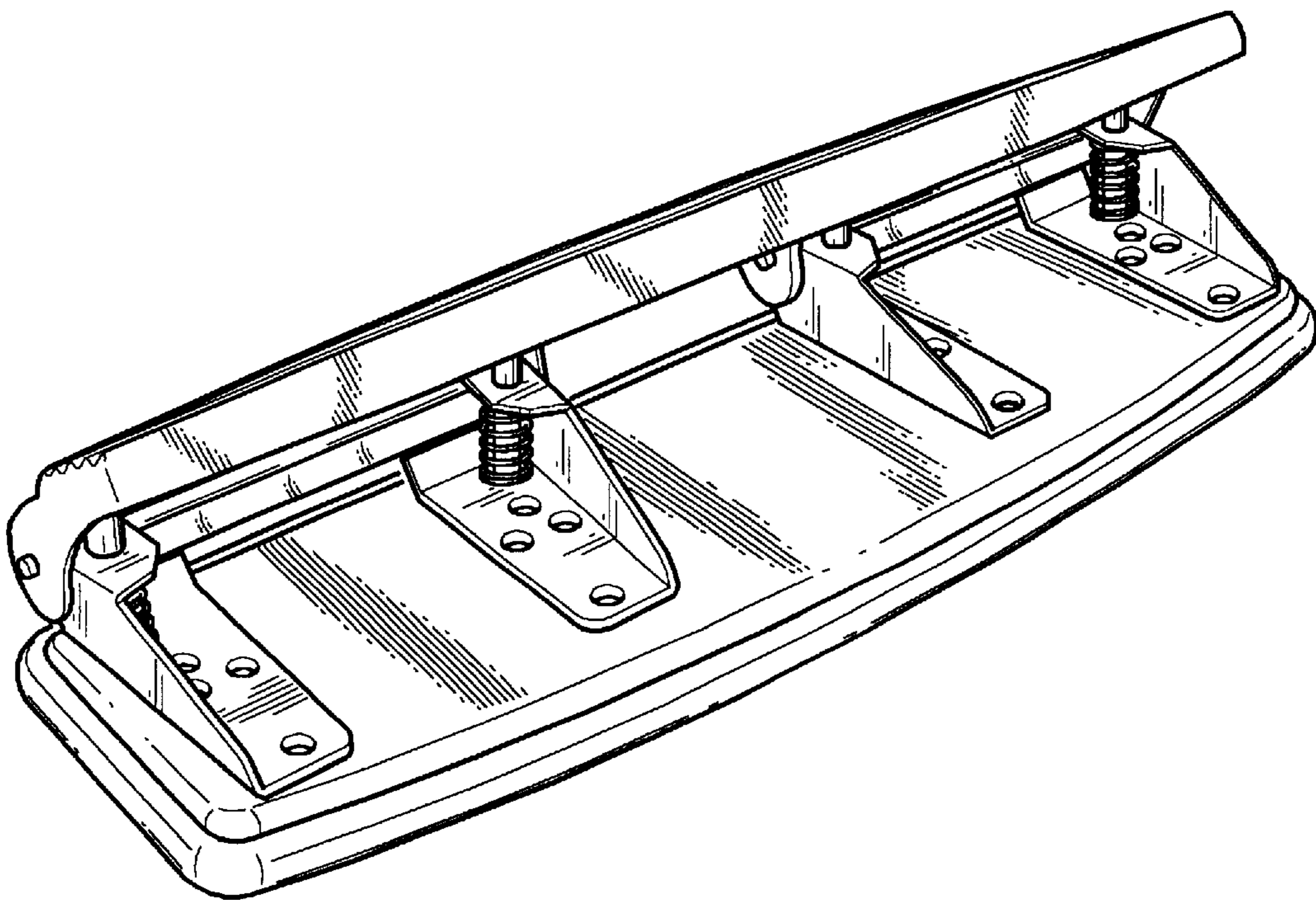


FIGURE 3

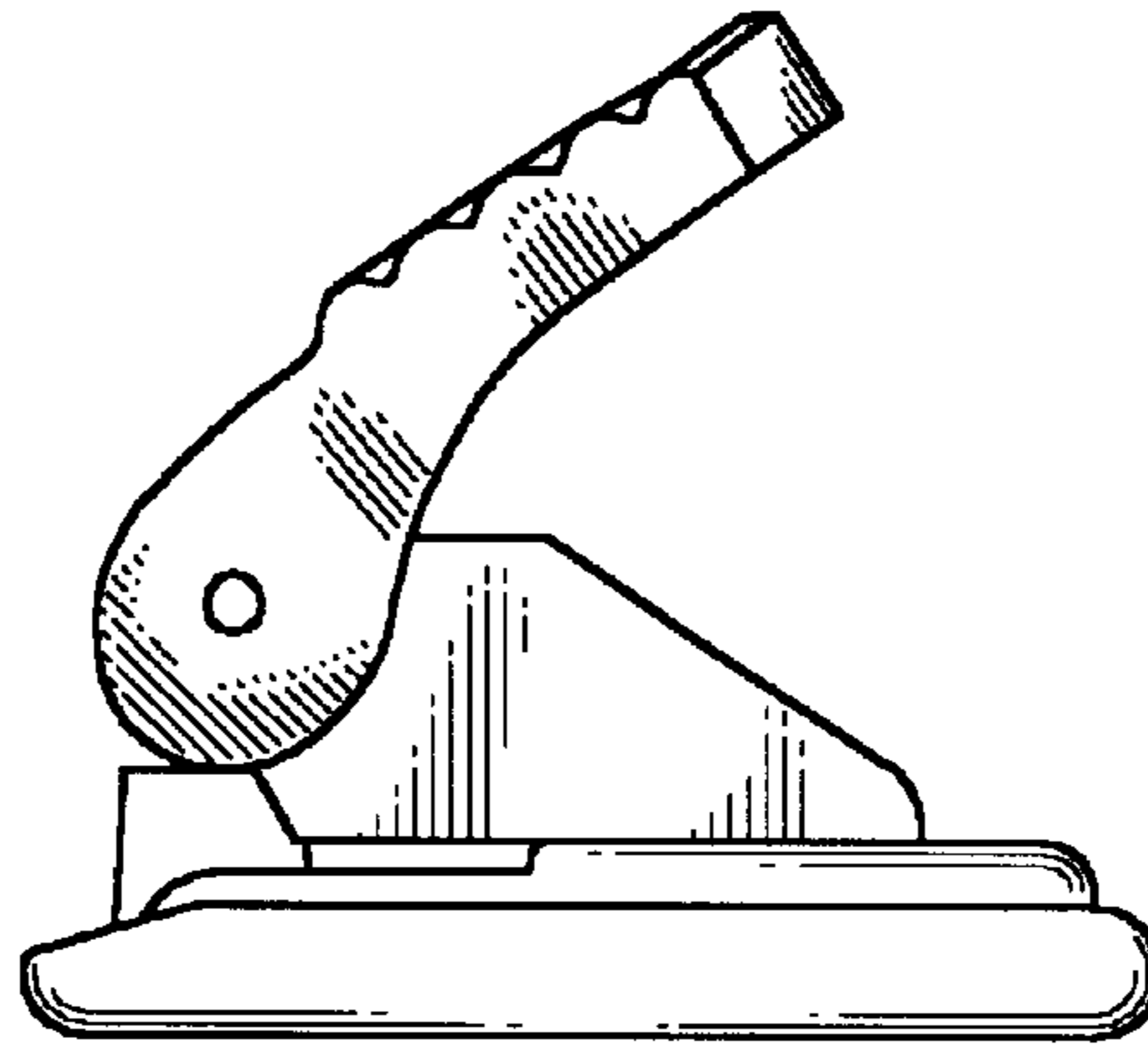


FIGURE 4

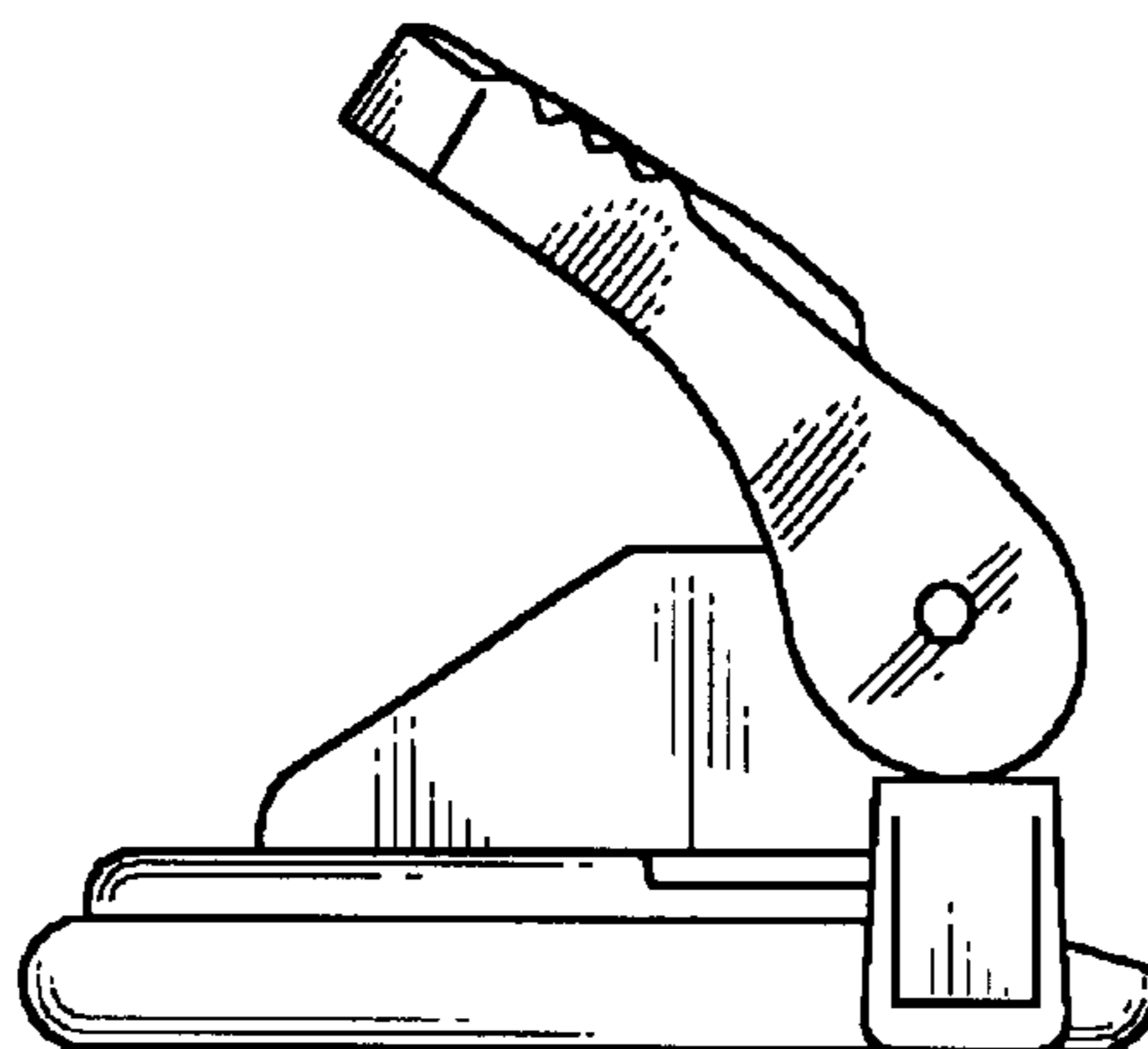


FIGURE 5

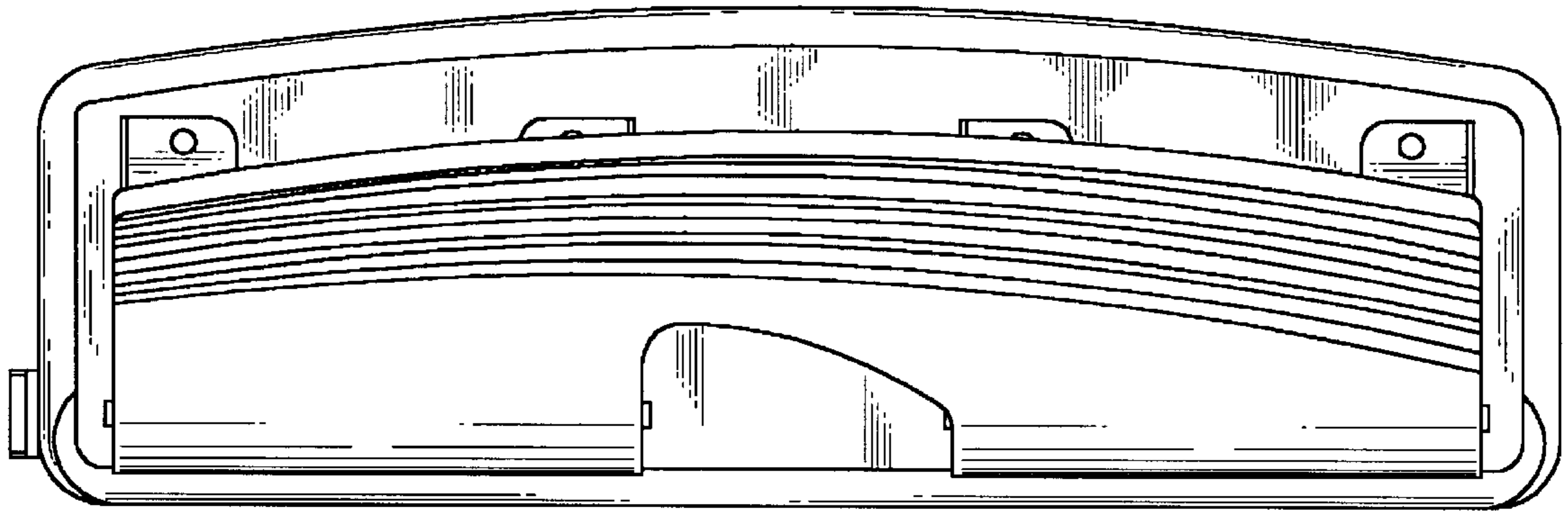


FIGURE 6

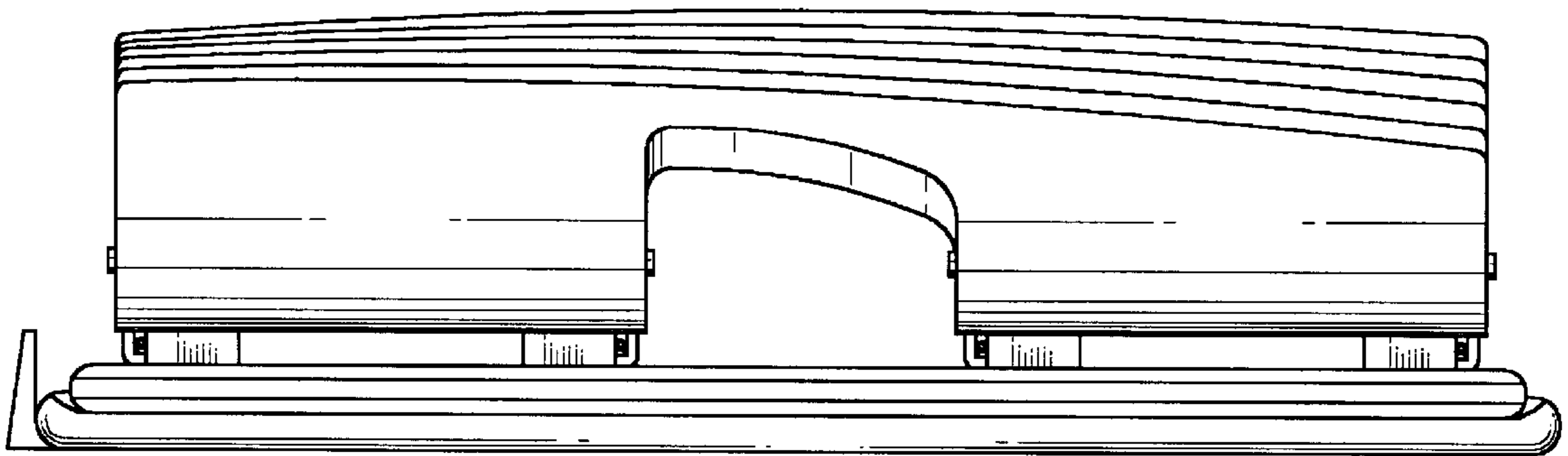


FIGURE 7

