



US00D477845S

(12) **United States Design Patent**
Lord et al.

(10) **Patent No.:** **US D477,845 S**

(45) **Date of Patent:** **** Jul. 29, 2003**

(54) **PEN FOR DISPENSING A CURABLE LIQUID**

(75) Inventors: **Steven F. Lord**, Rumford, RI (US);
Warren N. Strong, Coventry, RI (US)

(73) Assignee: **Nordson Corporation**, Westlake, OH (US)

(**) Term: **14 Years**

(21) Appl. No.: **29/152,612**

(22) Filed: **Dec. 20, 2001**

(51) **LOC (7) Cl.** **19-02**

(52) **U.S. Cl.** **D19/66; D19/51; D19/55**

(58) **Field of Search** 604/47; D9/337,
D9/338; D19/35, 36, 41-51, 53-58, 66,
70, 71, 95, 99, 100; 401/184, 198, 199,
6, 7, 88, 171, 172, 180, 186, 206, 260,
264, 266, 273, 279, 283; 222/325-327,
386-391, 207, 213, 553

(56) **References Cited**

U.S. PATENT DOCUMENTS

4,543,005 A * 9/1985 Kuboshima 401/260
4,798,582 A * 1/1989 Sarath et al. 604/47
4,813,870 A * 3/1989 Pitzen et al. 222/207 X
4,913,175 A * 4/1990 Yokosuka et al. 401/199 X
4,960,340 A * 10/1990 Tamiya et al. 401/186
5,022,563 A 6/1991 Marchitto et al. 222/327

D333,838 S * 3/1993 Gabel D19/66
5,358,349 A * 10/1994 Burroughs et al. 401/184
D353,397 S * 12/1994 Banik D19/66
D380,046 S * 6/1997 Domanowski D19/55 X

OTHER PUBLICATIONS

EFD, *Ultra™ Dispense Components*, www.efd-inc.com website, 5 pgs., Nov., 2001.

* cited by examiner

Primary Examiner—Martie K. Holtje

(74) *Attorney, Agent, or Firm*—Wood, Herron & Evans, L.L.P.

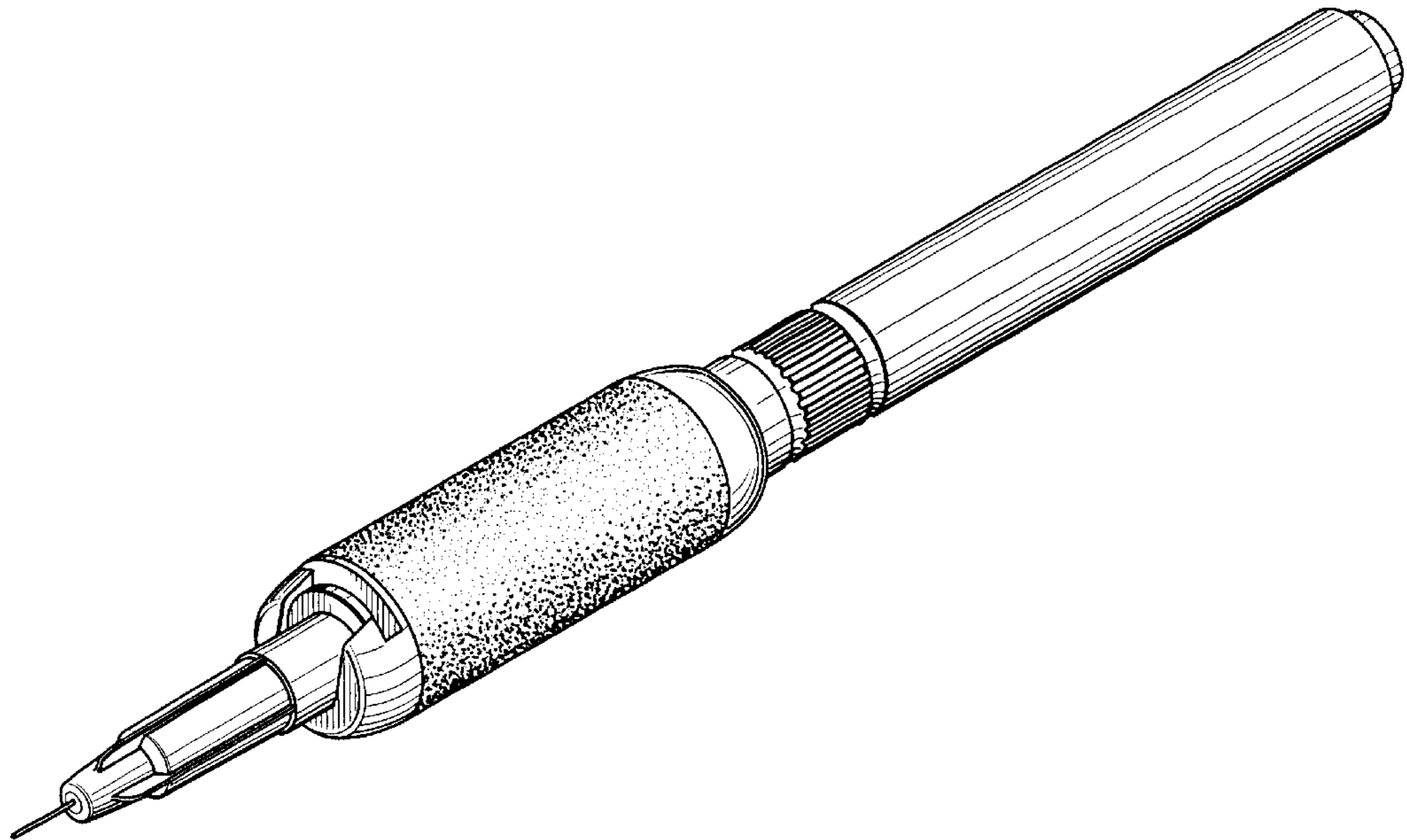
(57) **CLAIM**

The ornamental design for a pen for dispensing a curable liquid, as shown and described.

DESCRIPTION

FIG. 1 is a perspective view of a pen for dispensing a curable liquid showing our new design;
FIG. 2 is a front view of FIG. 1, the rear view being a mirror image of the front view;
FIG. 3 is a top view of FIG. 1;
FIG. 4 is a bottom view of FIG. 1;
FIG. 5 is a left side view of FIG. 1; and,
FIG. 6 is a right side view of FIG. 1.

1 Claim, 2 Drawing Sheets



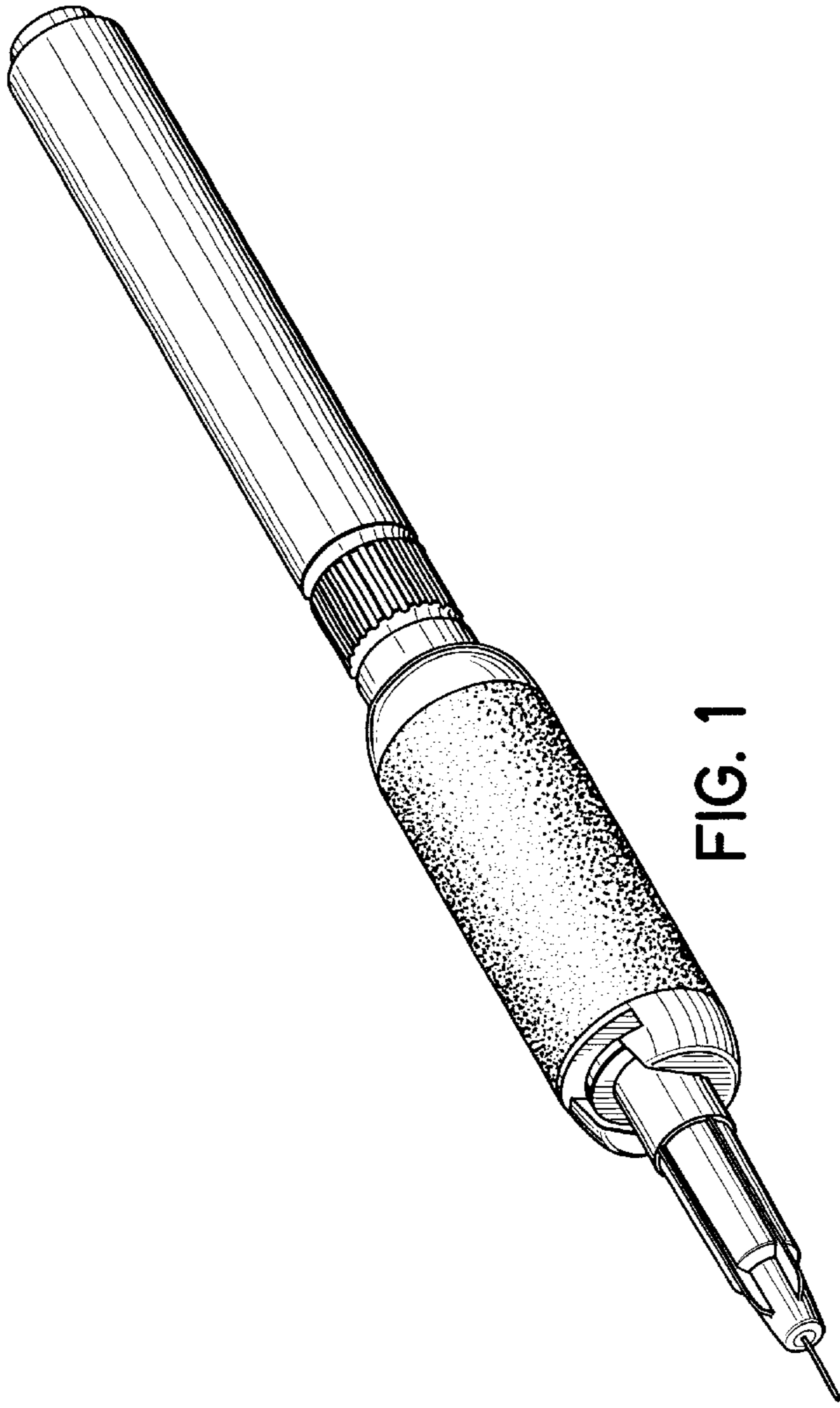


FIG. 1

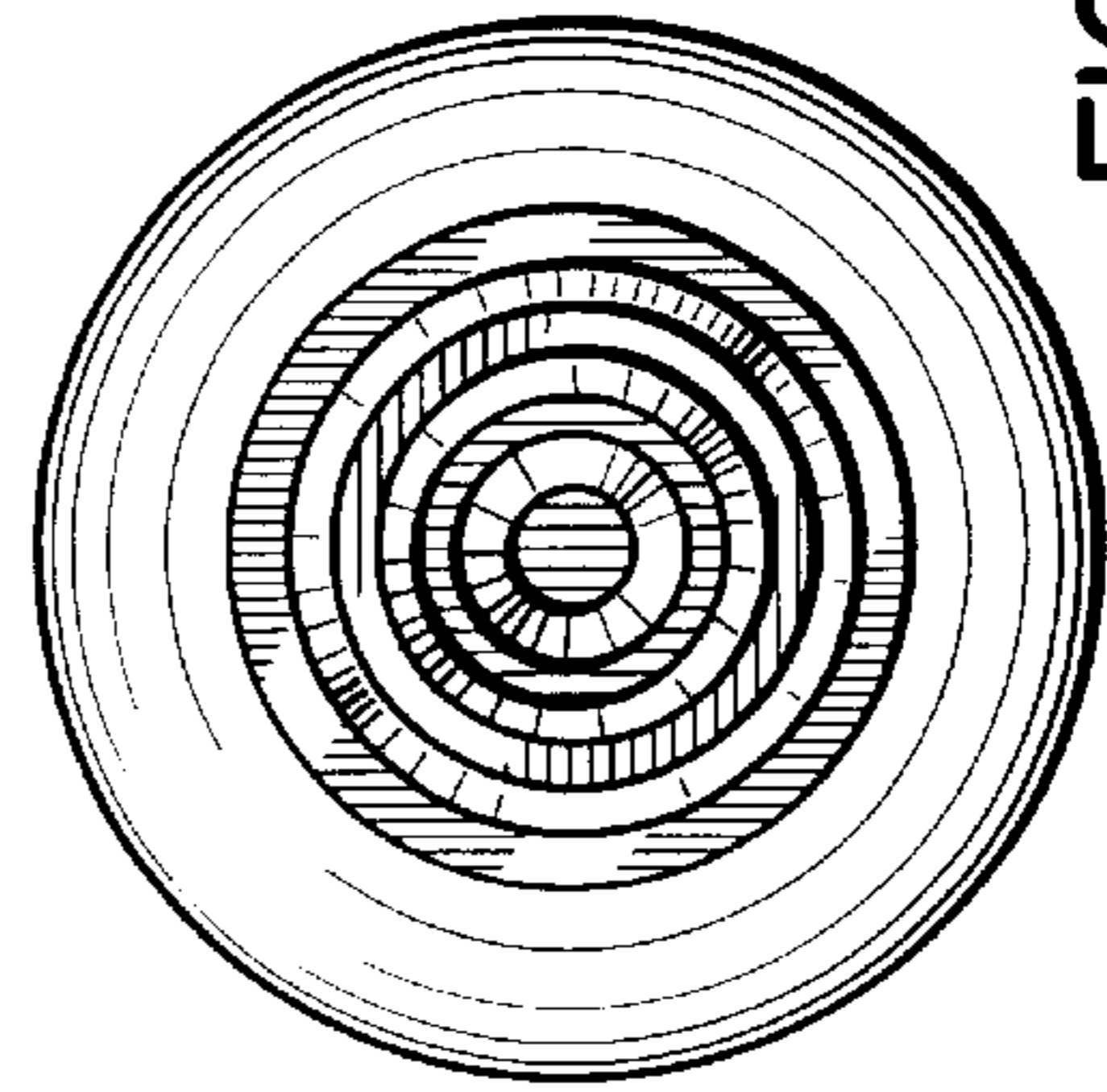


FIG. 6

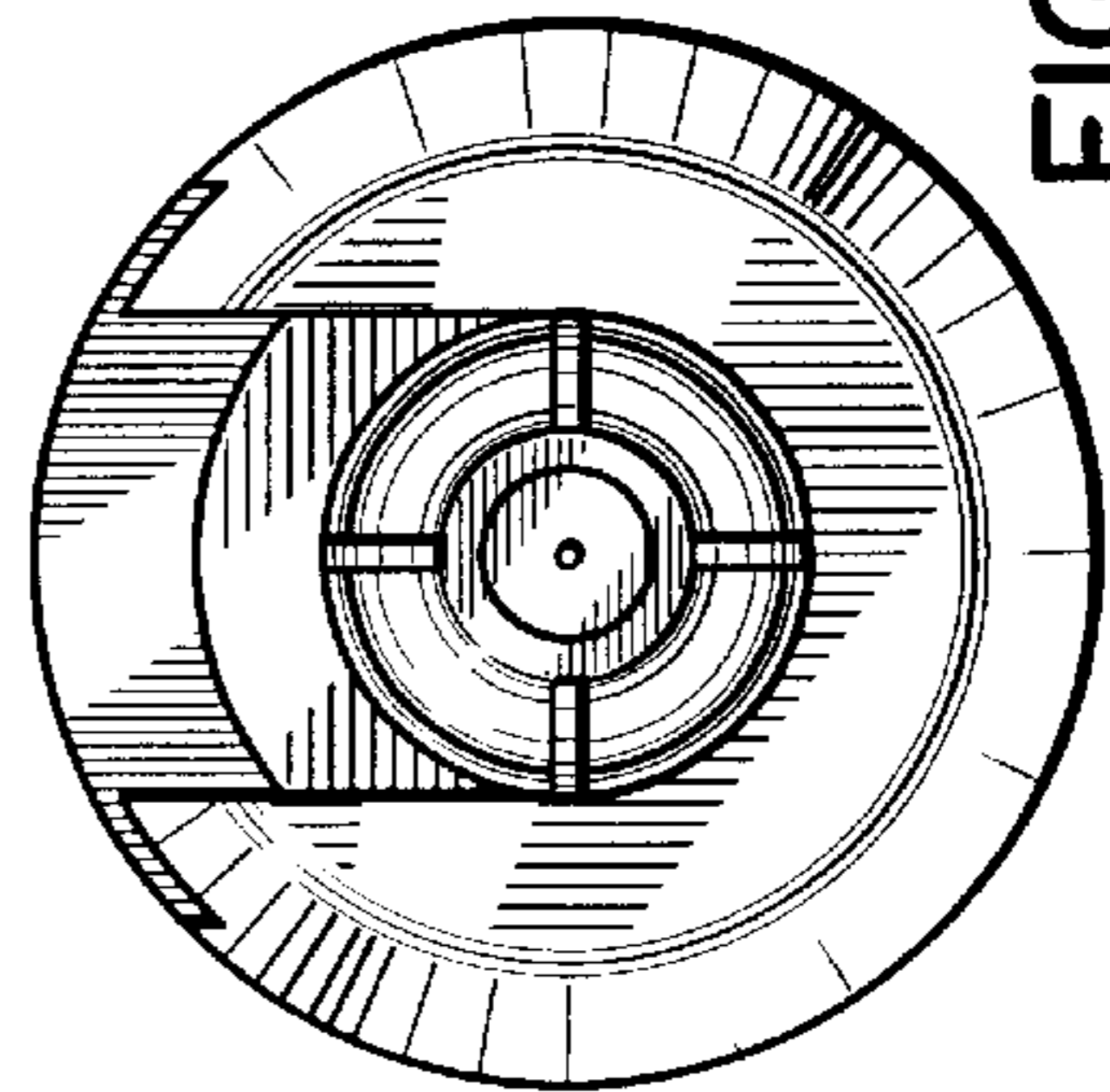


FIG. 5

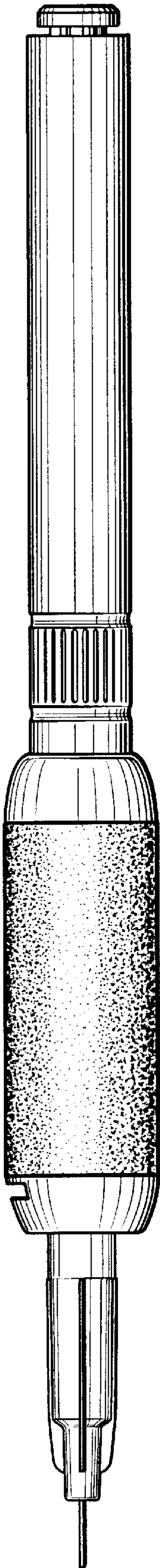


FIG. 2



FIG. 3

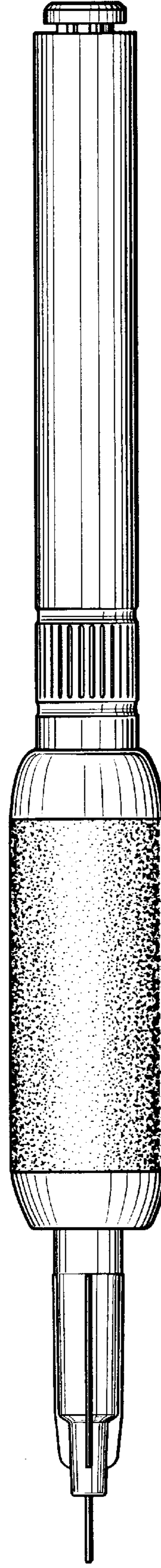


FIG. 4