



US00D477843S

(12) **United States Design Patent**
Sieling

(10) **Patent No.:** **US D477,843 S**

(45) **Date of Patent:** **** Jul. 29, 2003**

(54) **WATER COLOR PAINTING APPARATUS**

(75) **Inventor:** **Dayne Sieling**, Agoura Hills, CA (US)

(73) **Assignee:** **Overbreak LLC**, Sun Valley, CA (US)

(**) **Term:** **14 Years**

(21) **Appl. No.:** **29/165,318**

(22) **Filed:** **Aug. 8, 2002**

(51) **LOC (7) Cl.** **19-06**

(52) **U.S. Cl.** **D19/36; D19/35**

(58) **Field of Search** **D19/35, 36, 65,**
D19/77, 78, 81-85, 86, 99, 100; 200/1.7-1.9,
214, 224, 371; 402/4; 401/52, 195

(56) **References Cited**

U.S. PATENT DOCUMENTS

D90,769 S	*	9/1933	Kamen	D19/36
3,454,344 A	*	7/1969	Ryan	401/195 X
D251,213 S	*	2/1979	Rodin et al.	D19/36 X
4,318,471 A	*	3/1982	Hutton	206/214
4,515,493 A	*	5/1985	Radovich	402/4
D332,466 S	*	1/1993	Logan	D19/36

5,388,689 A	*	2/1995	Kroop et al.	206/214
D356,334 S	*	3/1995	Kroop et al.	D19/36
D356,823 S	*	3/1995	Tarozzi	D19/36
6,193,118 B1	*	2/2001	Kearl	206/1.7 X

* cited by examiner

Primary Examiner—Martie K. Holtje

(74) *Attorney, Agent, or Firm*—Blakely, Sokoloff, Taylor & Zafman LLP

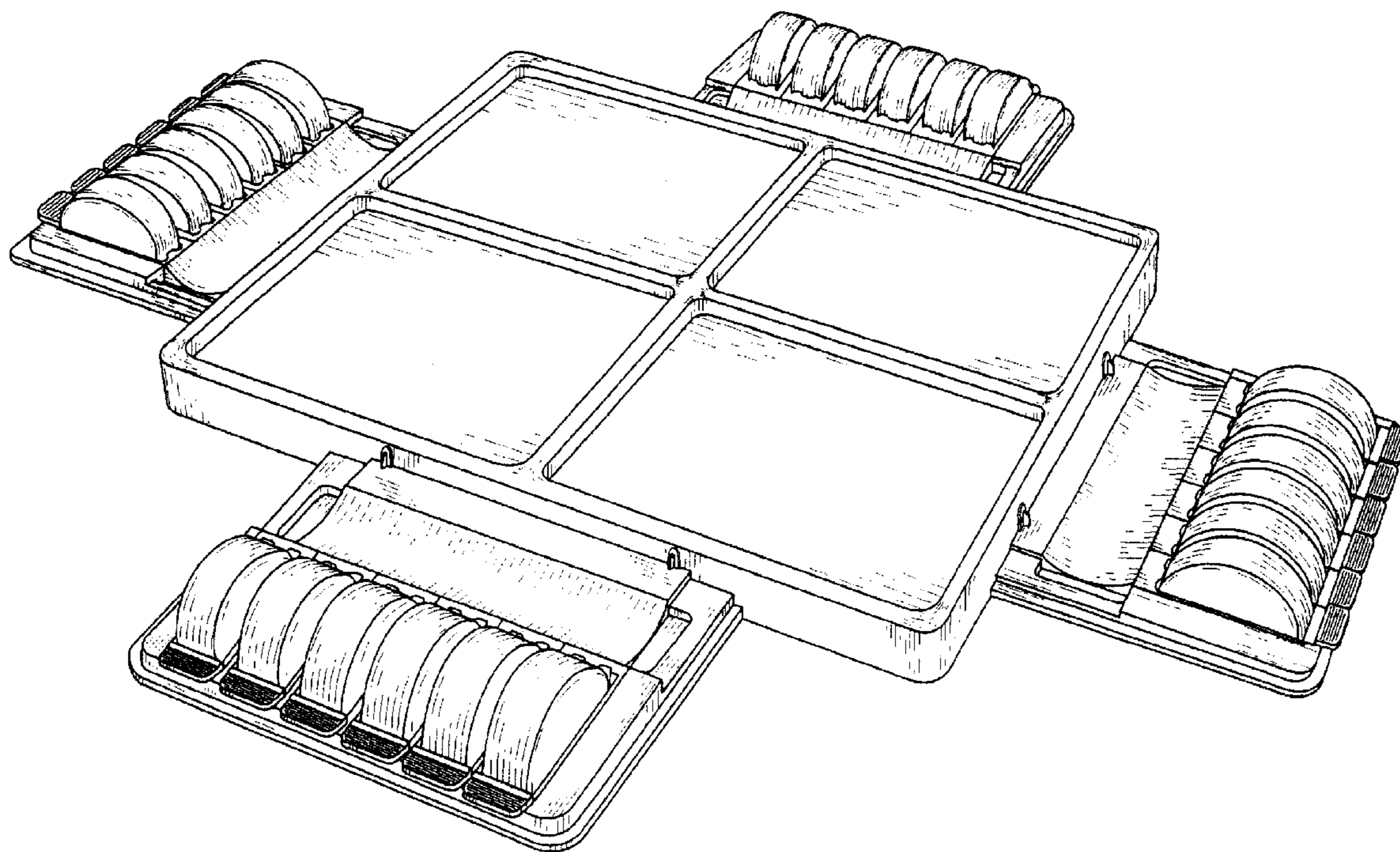
(57) **CLAIM**

The ornamental design for a water color painting apparatus, as shown and described.

DESCRIPTION

FIG. 1 is a perspective view of a preferred embodiment of the water color painting apparatus of the present invention; FIG. 2 is a right side elevational view of the embodiment of FIG. 1; FIG. 3 is a left side elevational view of the embodiment of FIG. 1; FIG. 4 is a top plan view of the embodiment of FIG. 1; and, FIG. 5 is a bottom plan view of the embodiment of FIG. 1.

1 Claim, 4 Drawing Sheets



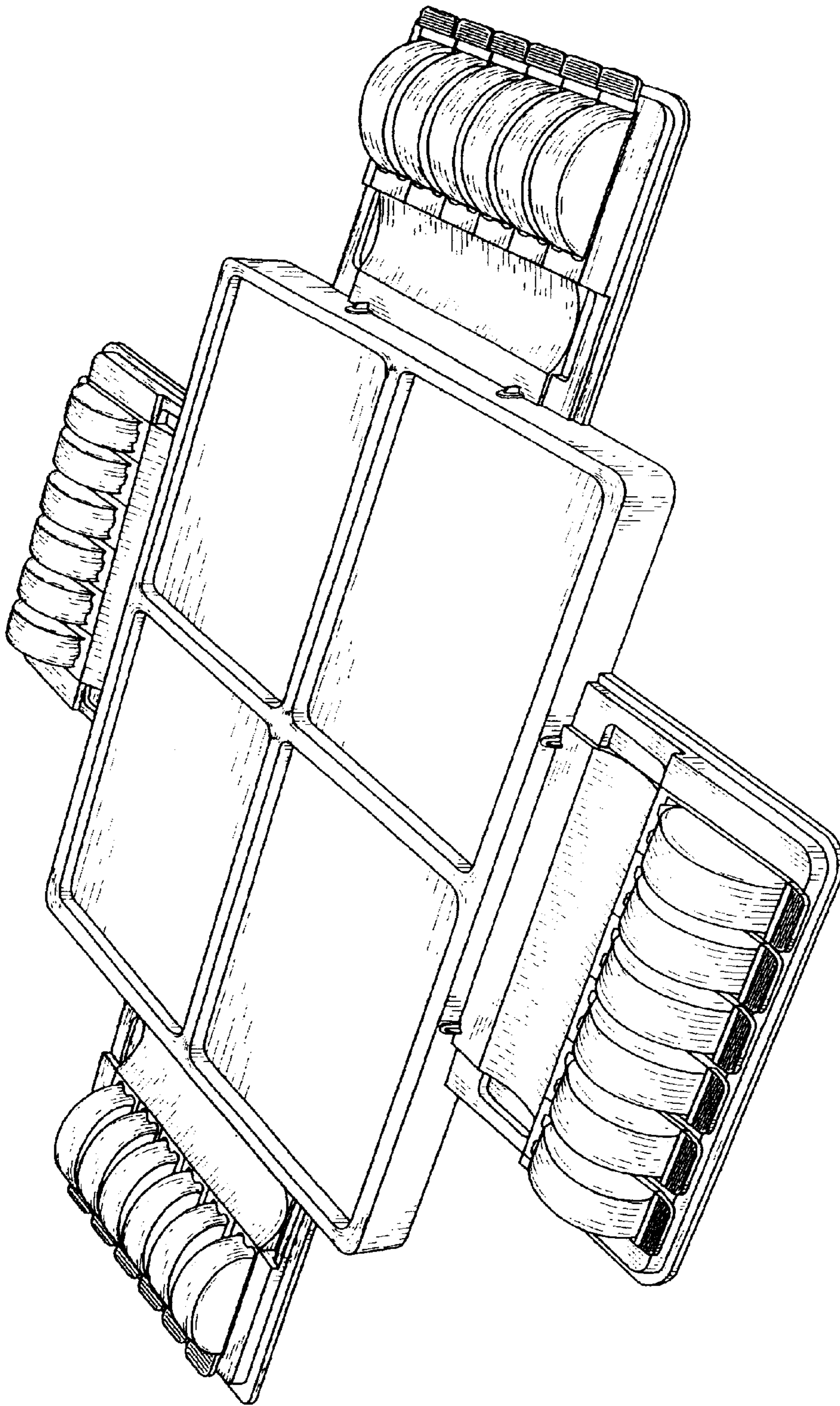


FIG. 1

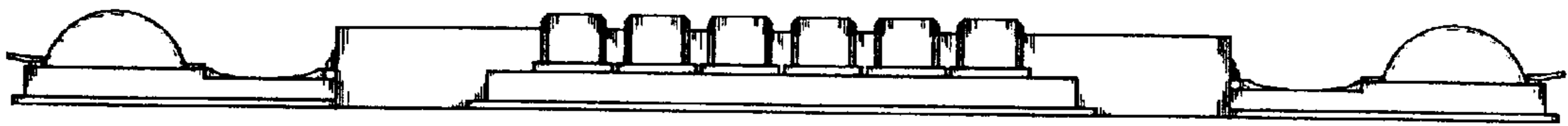


FIG. 2

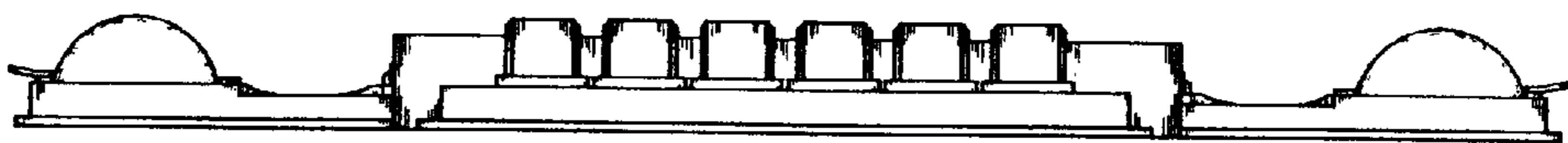


FIG. 3

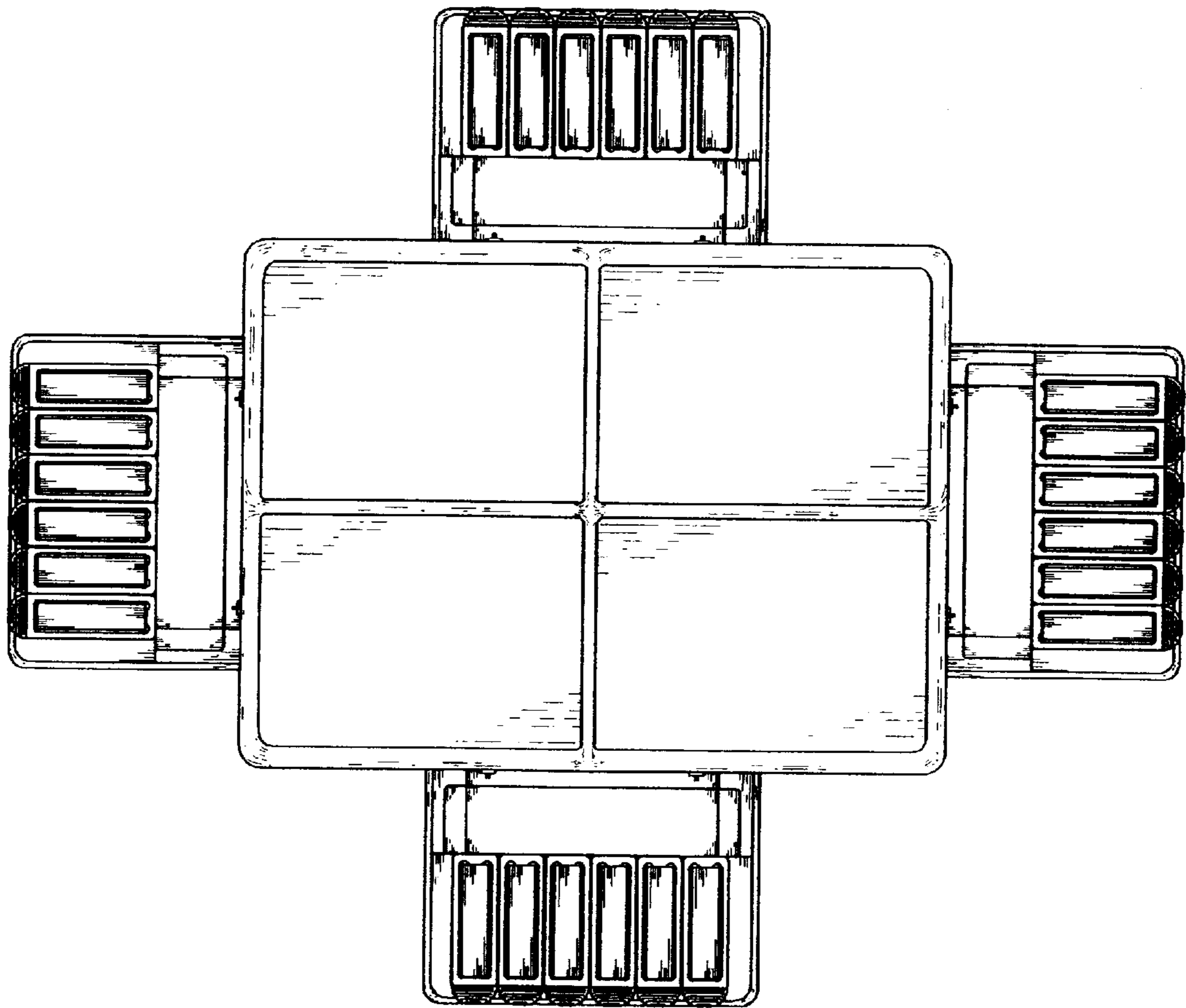


FIG. 4

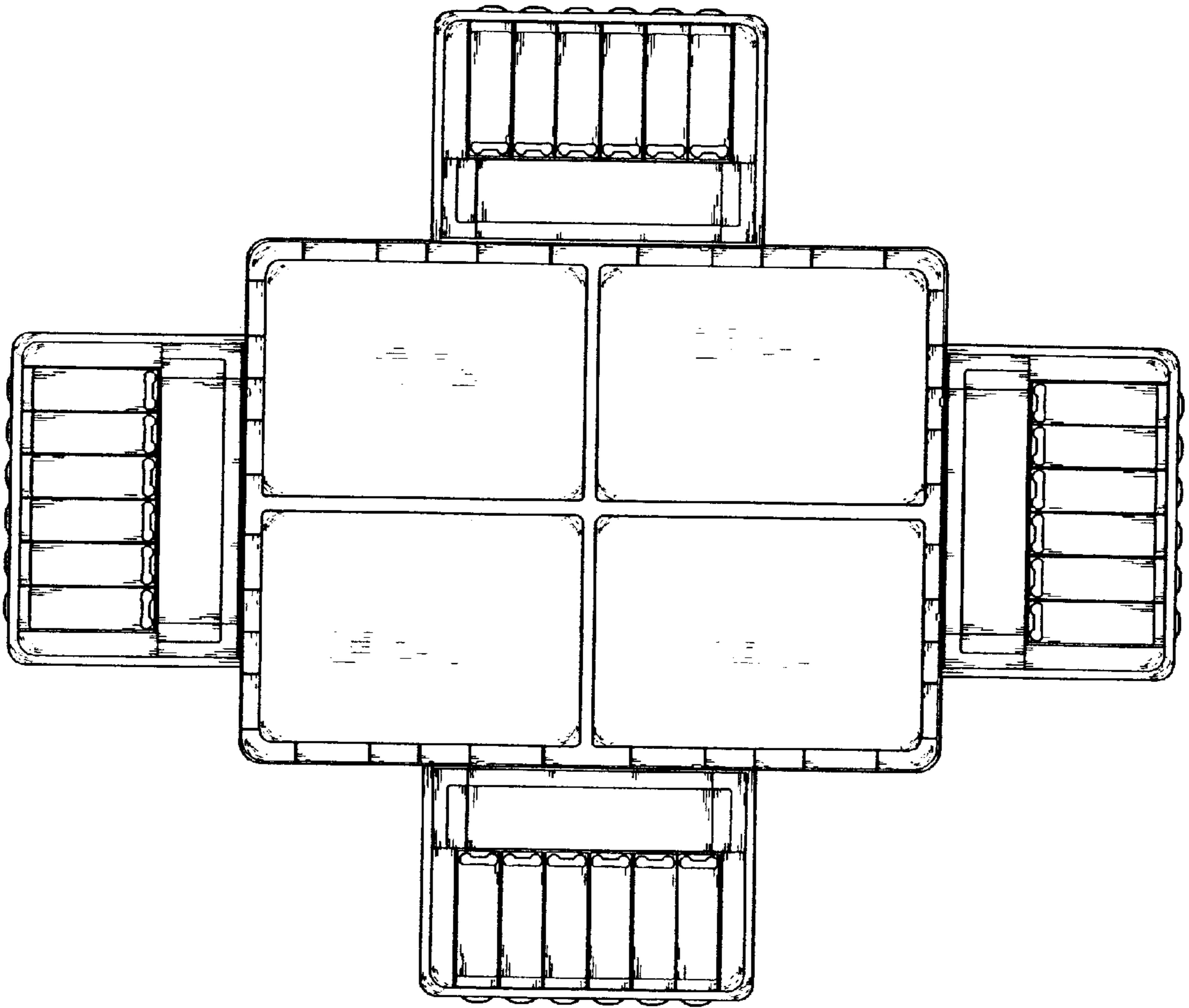


FIG. 5