



US00D477842S

(12) **United States Design Patent**
Morris

(10) **Patent No.:** **US D477,842 S**

(45) **Date of Patent:** **** Jul. 29, 2003**

(54) **PLANNING ORGANIZER**

(75) **Inventor:** **John M. Morris**, 260 W. 13th St., Ship Bottom, NJ (US) 08008

(73) **Assignee:** **John M. Morris**, Medford, NJ (US)

(**) **Term:** **14 Years**

(21) **Appl. No.:** **29/161,048**

(22) **Filed:** **May 10, 2002**

(51) **LOC (7) Cl.** **19-04**

(52) **U.S. Cl.** **D19/26; D19/86; D3/303**

(58) **Field of Search** D3/249, 303, 900; D19/26, 27, 32, 33, 75, 86, 90, 65; 206/425; 281/15.1, 19.1, 21.1, 29, 30, 31, 32, 35, 34, 45, 51; 283/36, 37, 42, 48.1, 52.1, 55, 63.1, 64, 117; 402/4, 73, 79, 80 R, 70

(56) **References Cited**

U.S. PATENT DOCUMENTS

- 4,932,520 A * 6/1990 Ciarcia et al. 206/425 X
- 4,973,184 A * 11/1990 Salle 402/70
- 5,275,438 A * 1/1994 Struhl 281/31

- D344,181 S * 2/1994 Guzman-Rosario D3/249
- 5,294,208 A * 3/1994 Tremmel, Jr. et al. 402/70
- D359,310 S * 6/1995 Su D19/90
- 6,017,062 A * 1/2000 White 281/29

* cited by examiner

Primary Examiner—Martie K. Holtje

(74) *Attorney, Agent, or Firm*—Stuart M. Goldstein

(57) **CLAIM**

The ornamental design for a planning organizer, as shown and described.

DESCRIPTION

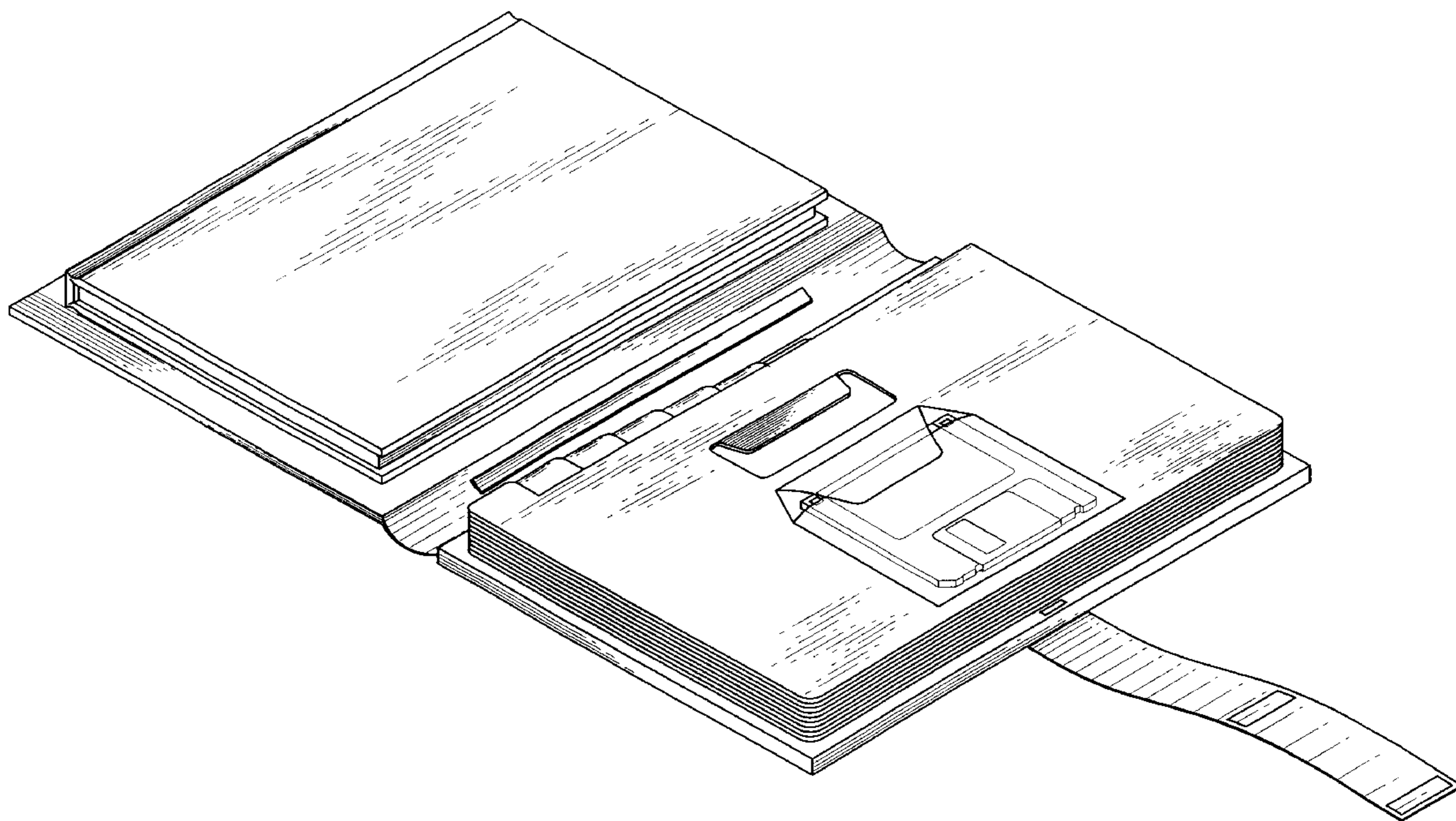
FIG. 1 is a perspective view showing the planning organizer of the present invention in an open position.

FIG. 2 is of a perspective view showing the planning organizer of the present invention in an expanded position.

FIG. 3 is of a perspective view showing the planning organizer of the present invention in a closed position; and,

FIG. 4 is of a perspective view showing the planning organizer of the present invention in a closed, expanded position.

1 Claim, 3 Drawing Sheets



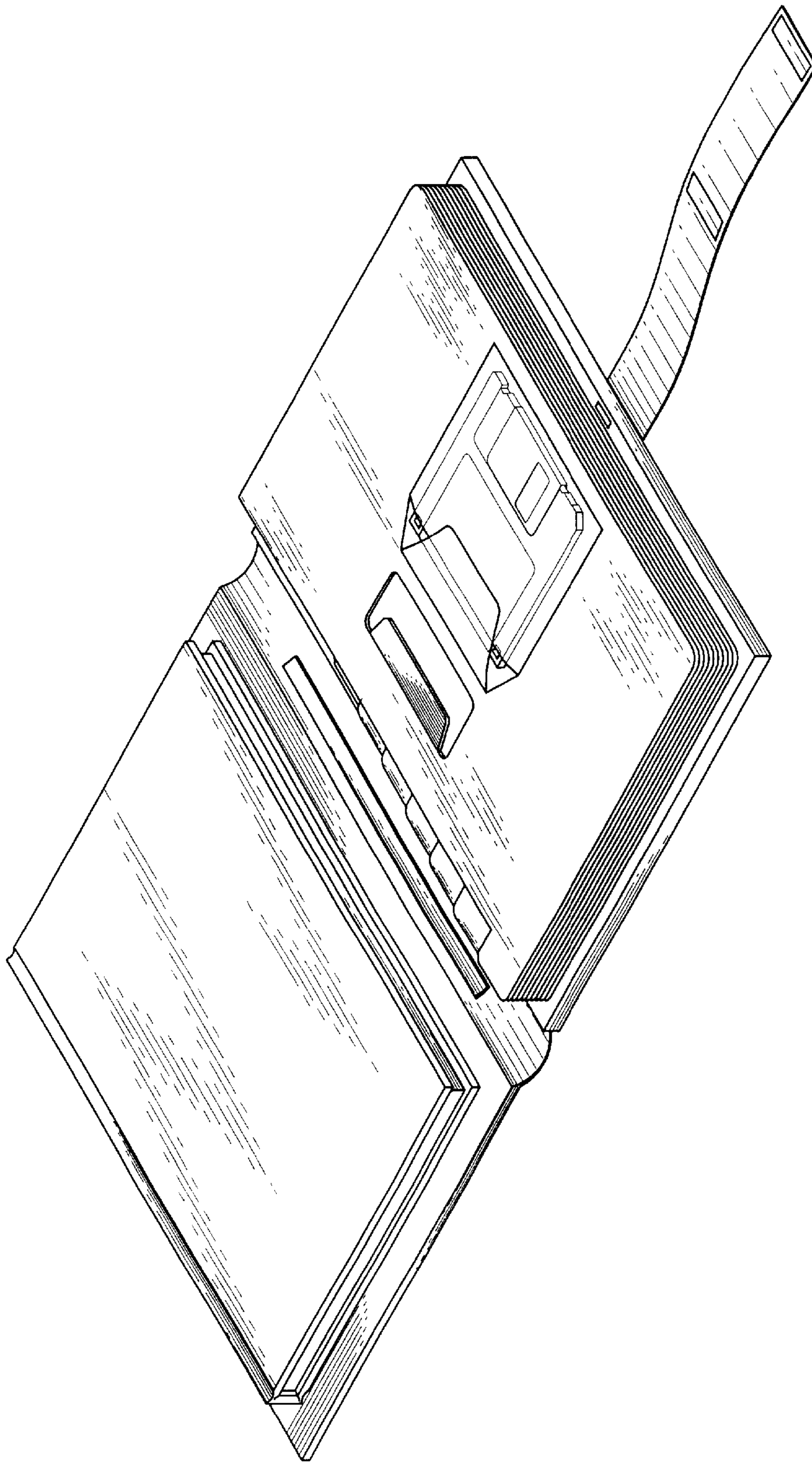


FIG. 1

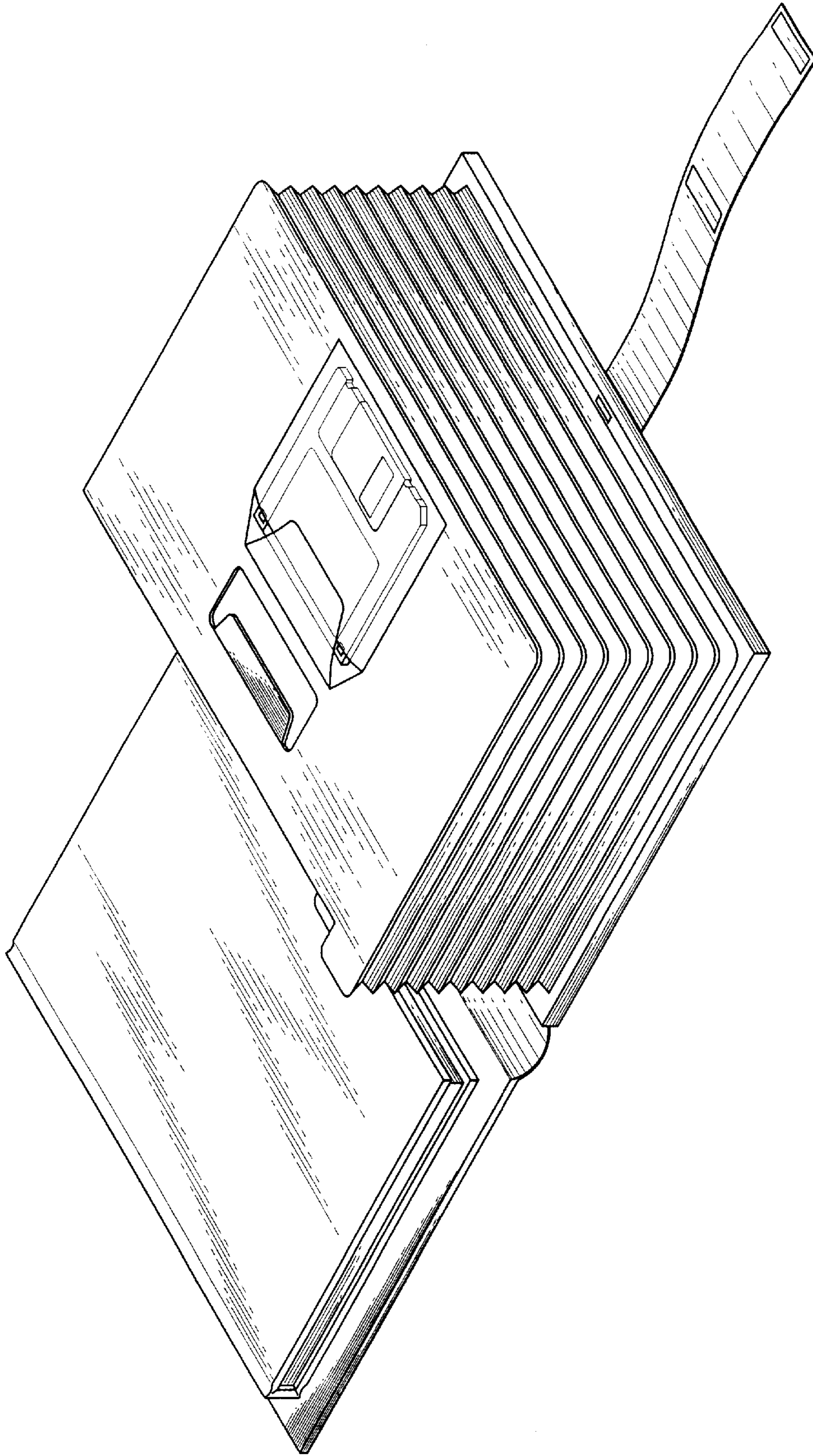


FIG. 2

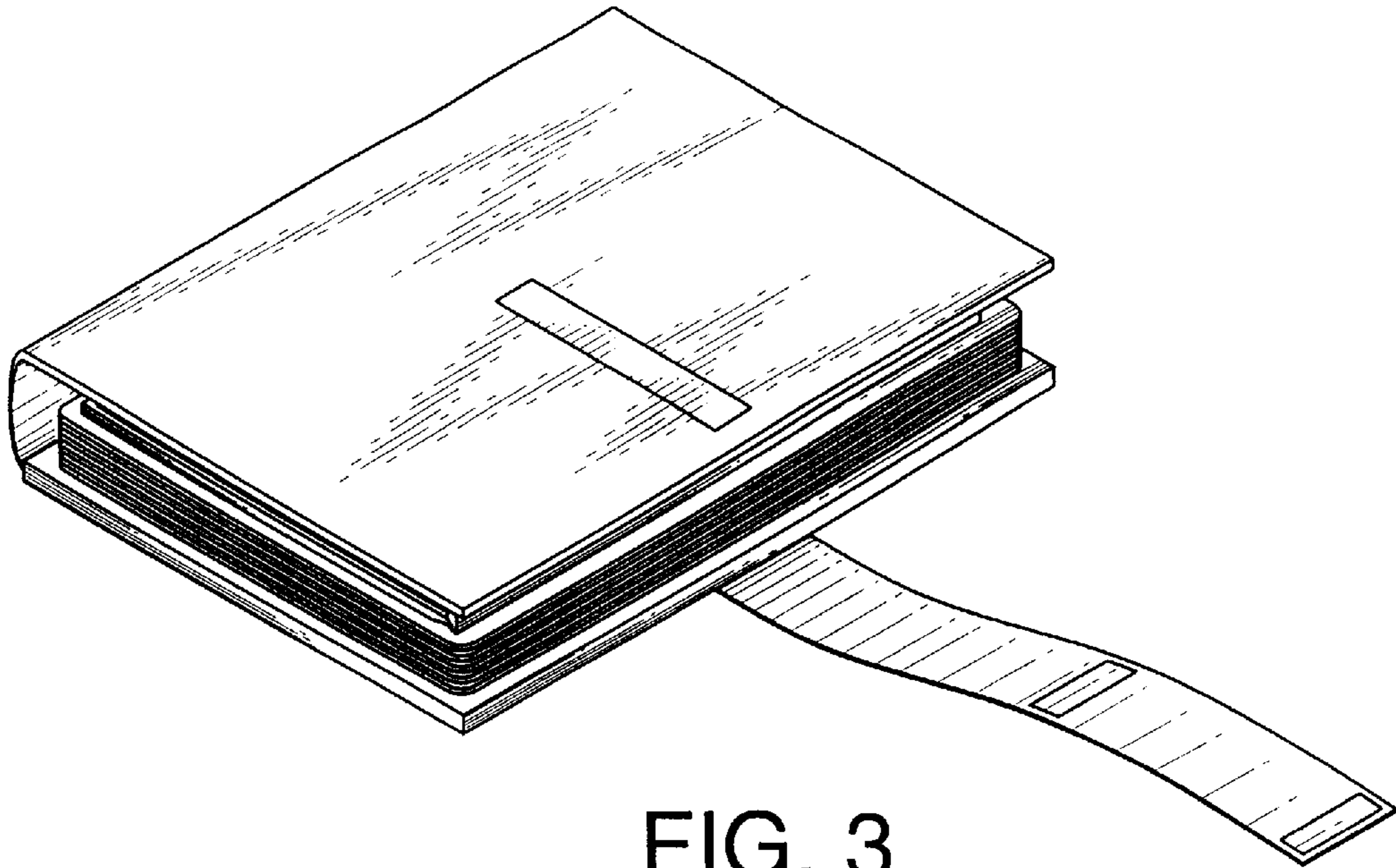


FIG. 3

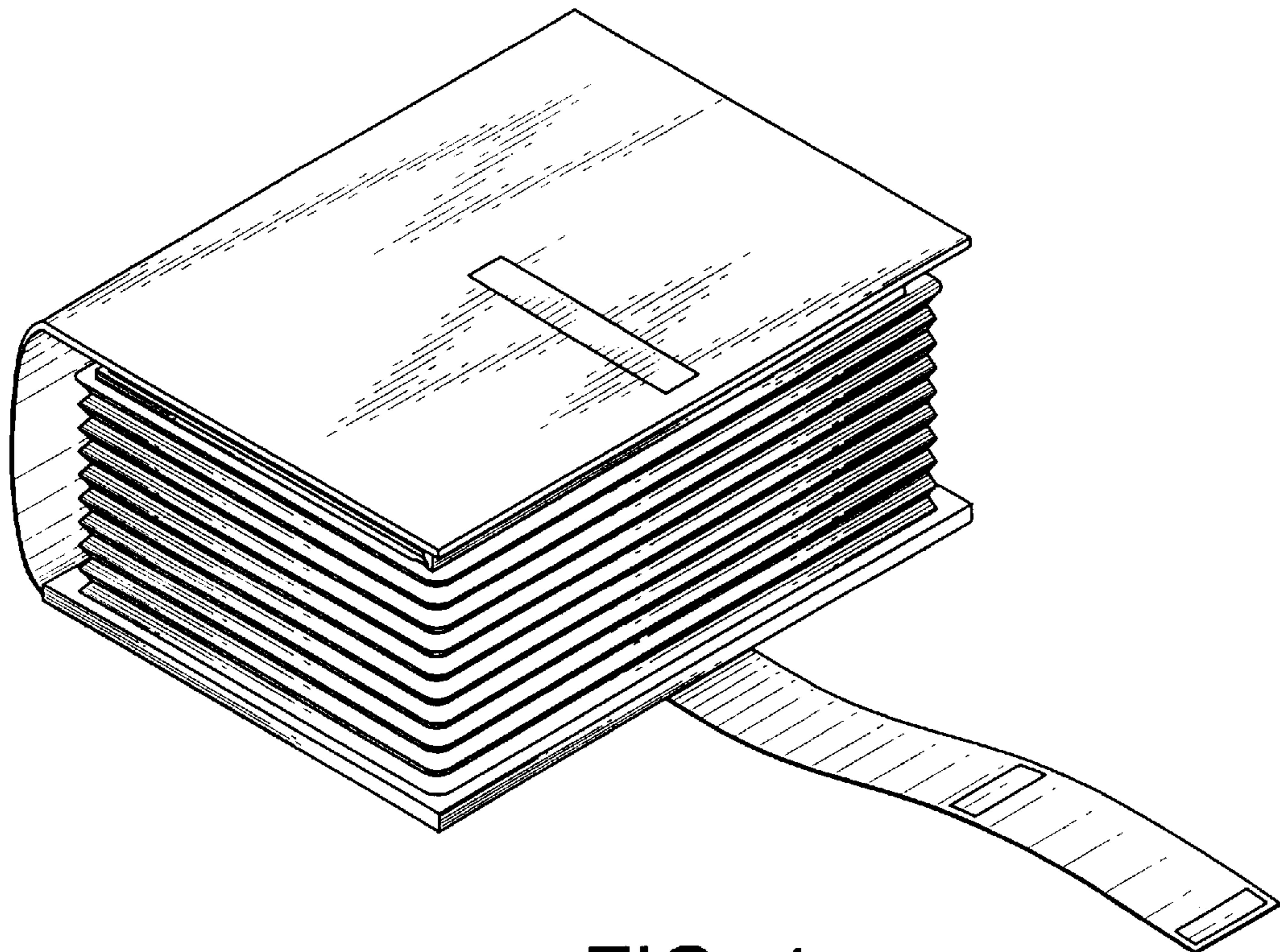


FIG. 4