



US00D477840S

(12) **United States Design Patent**  
**Dwyer et al.**

(10) **Patent No.:** **US D477,840 S**

(45) **Date of Patent:** **\*\* Jul. 29, 2003**

(54) **PRINTER ACCESS DOOR**

(75) Inventors: **Daniel R. Dwyer**, Battle Ground, WA (US); **Jeffrey G. Bingham**, Vancouver, WA (US); **Michael M. Leon**, Washougal, WA (US); **Melissa S. Gedraitis**, Camas, WA (US); **Donald R. McClelland**, Brush Prairie, WA (US); **Michael K. Bowen**, Vancouver, WA (US); **Howard G. Wong**, Portland, OR (US); **Michael J. Allison**, Brush Prairie, WA (US); **Mark D. Zinser**, Santa Rosa, CA (US); **Peter G. Hwang**, Vancouver, WA (US); **Maaike L. Evers**, San Francisco, CA (US)

(73) Assignee: **Hewlett-Packard Development Company, L.P.**, Houston, TX (US)

(\*\*) Term: **14 Years**

(21) Appl. No.: **29/147,341**

(22) Filed: **Aug. 27, 2001**

(51) **LOC (7) Cl.** ..... **18-02**

(52) **U.S. Cl.** ..... **D18/50**

(58) **Field of Search** ..... D18/36-37, 50,  
D18/54-55, 56; 400/613, 613.1-613.4,  
690.1-690.4, 691-694

(56) **References Cited**

**U.S. PATENT DOCUMENTS**

D280,900 S	*	10/1985	Tsumura et al. ....	D18/54
D281,247 S	*	11/1985	Lahey et al. ....	D18/55
D379,827 S	*	6/1997	Andre .....	D18/54
D400,571 S	*	11/1998	Shimizu .....	D18/54
D429,277 S	*	8/2000	Bishop et al. ....	D18/50
D442,625 S	*	5/2001	Chiba et al. ....	D18/56
D450,754 S	*	11/2001	Tatara et al. ....	D18/50

\* cited by examiner

*Primary Examiner*—Cathy Anne MacCormac  
(74) *Attorney, Agent, or Firm*—Christopher B. Miller

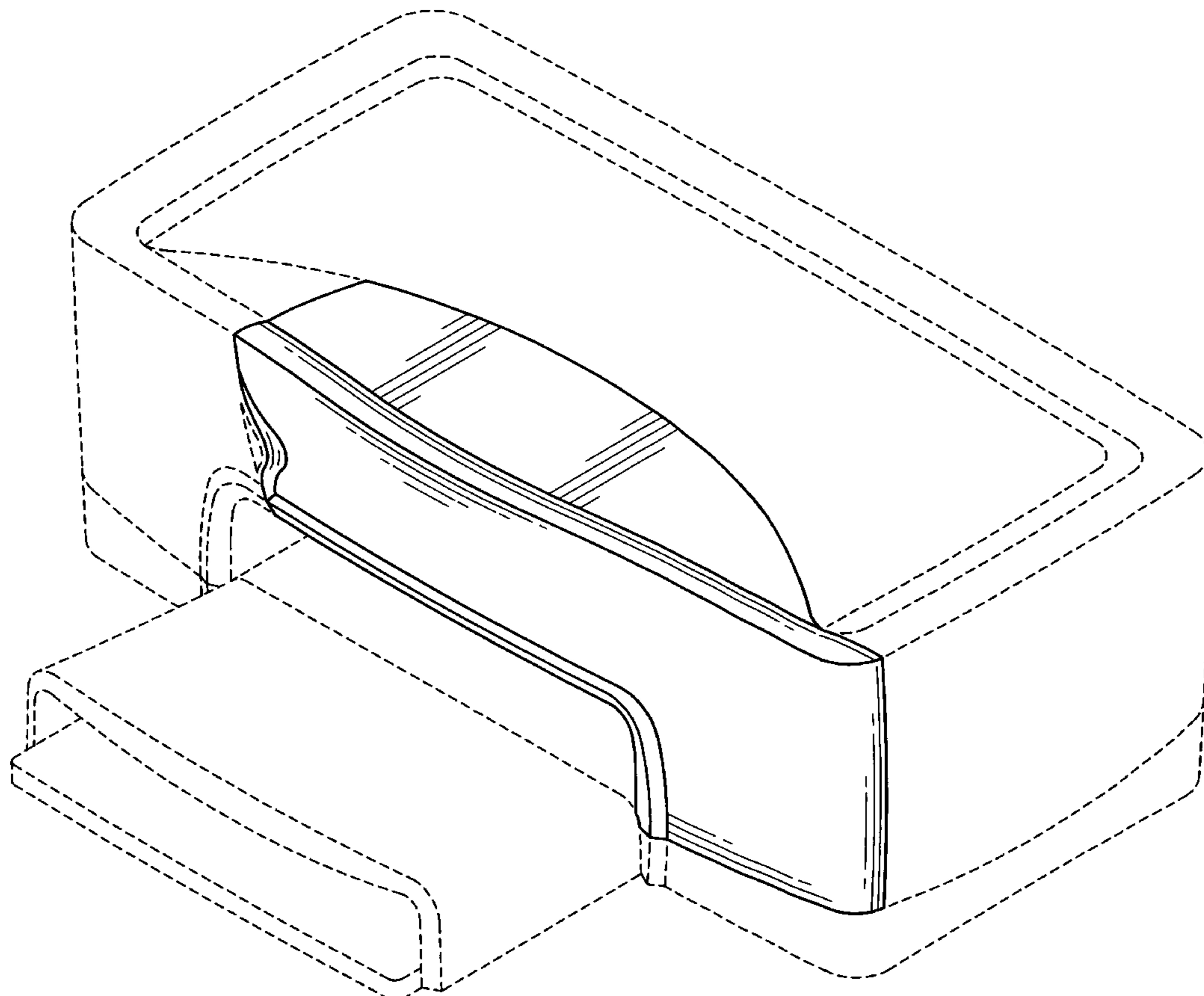
(57) **CLAIM**

The ornamental design for a printer access door, substantially as shown and described.

**DESCRIPTION**

FIG. 1 is a perspective view of a printer access door in accordance with the present invention;  
FIG. 2 is a front elevational view thereof;  
FIG. 3 is a top plan view thereof;  
FIG. 4 is a right side elevational view thereof; and,  
FIG. 5 is a left side elevational view thereof.  
The broken lines in FIGS. 1-5 are for illustrative purposes only and form no part of the claimed design.

**1 Claim, 4 Drawing Sheets**



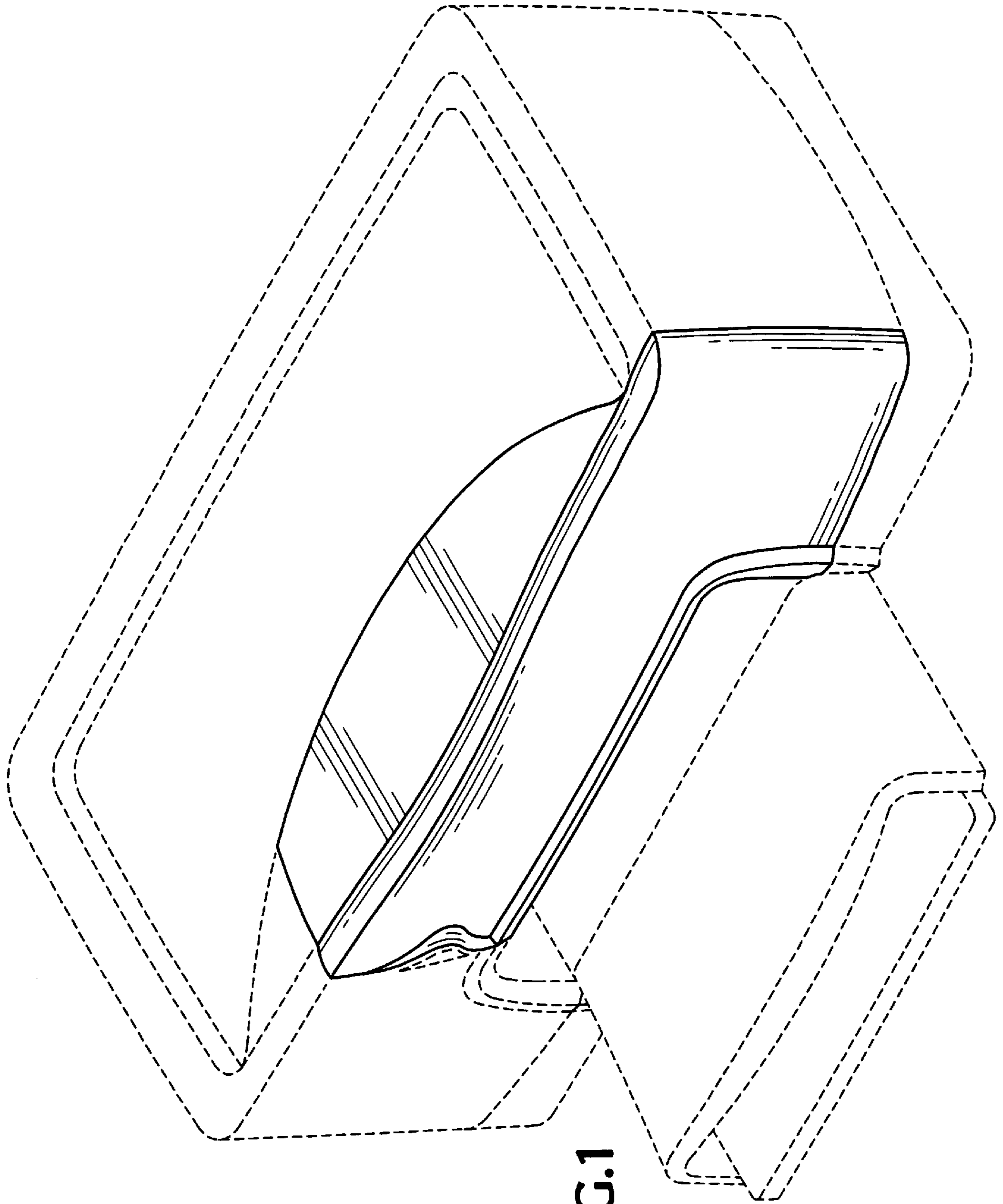


FIG.1

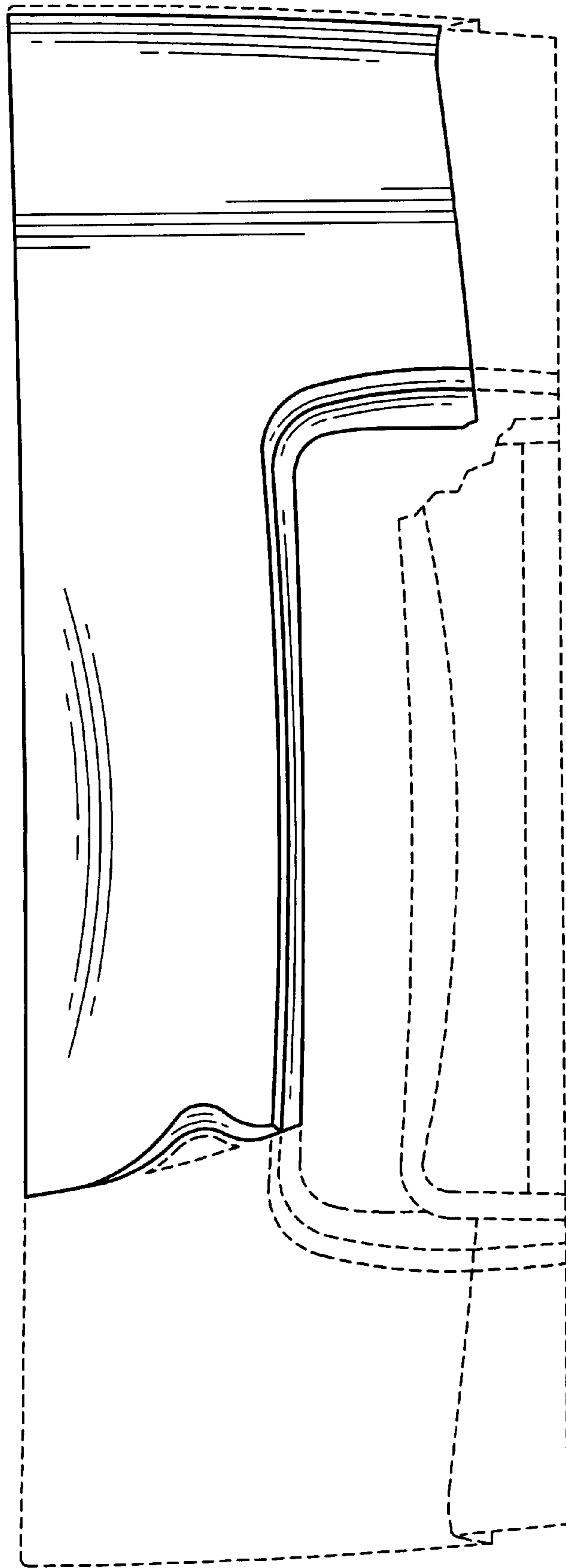


FIG. 2

