



US00D477838S

(12) **United States Design Patent**
Huang

(10) **Patent No.:** **US D477,838 S**

(45) **Date of Patent:** **** Jul. 29, 2003**

(54) **DIGITAL COPIER KIOSK**

(75) **Inventor:** **Philip C. Huang**, City of Industry, CA (US)

(73) **Assignee:** **Max Group Corporation, a California Corporation**, City of Industry, CA (US)

(**) **Term:** **14 Years**

(21) **Appl. No.:** **29/153,288**

(22) **Filed:** **Jan. 8, 2002**

(51) **LOC (7) Cl.** **16-03**

(52) **U.S. Cl.** **D18/39**

(58) **Field of Search** D18/36-39, 53, D18/54; D6/436, 454, 474; D10/91; D14/300-303, 307, 388, 389, 463; D20/10, 40; D25/1, 7, 16, 18, 4; D99/28, 29, 43; 235/379, 380; 399/1-7, 75, 81, 107, 151, 158, 411

(56) **References Cited**

U.S. PATENT DOCUMENTS

D302,798 S * 8/1989 Wolff, Jr. D10/91

D389,522 S * 1/1998 Hesselbach et al. D20/10
D417,893 S * 12/1999 Hunter et al. D20/10
D429,401 S * 8/2000 Sato et al. D99/28
D438,257 S * 2/2001 Mellgren, III D20/10

* cited by examiner

Primary Examiner—Caron D. Veynar
(74) *Attorney, Agent, or Firm*—Boniard I. Brown

(57) **CLAIM**

The ornamental design for a digital copier kiosk, as shown and described.

DESCRIPTION

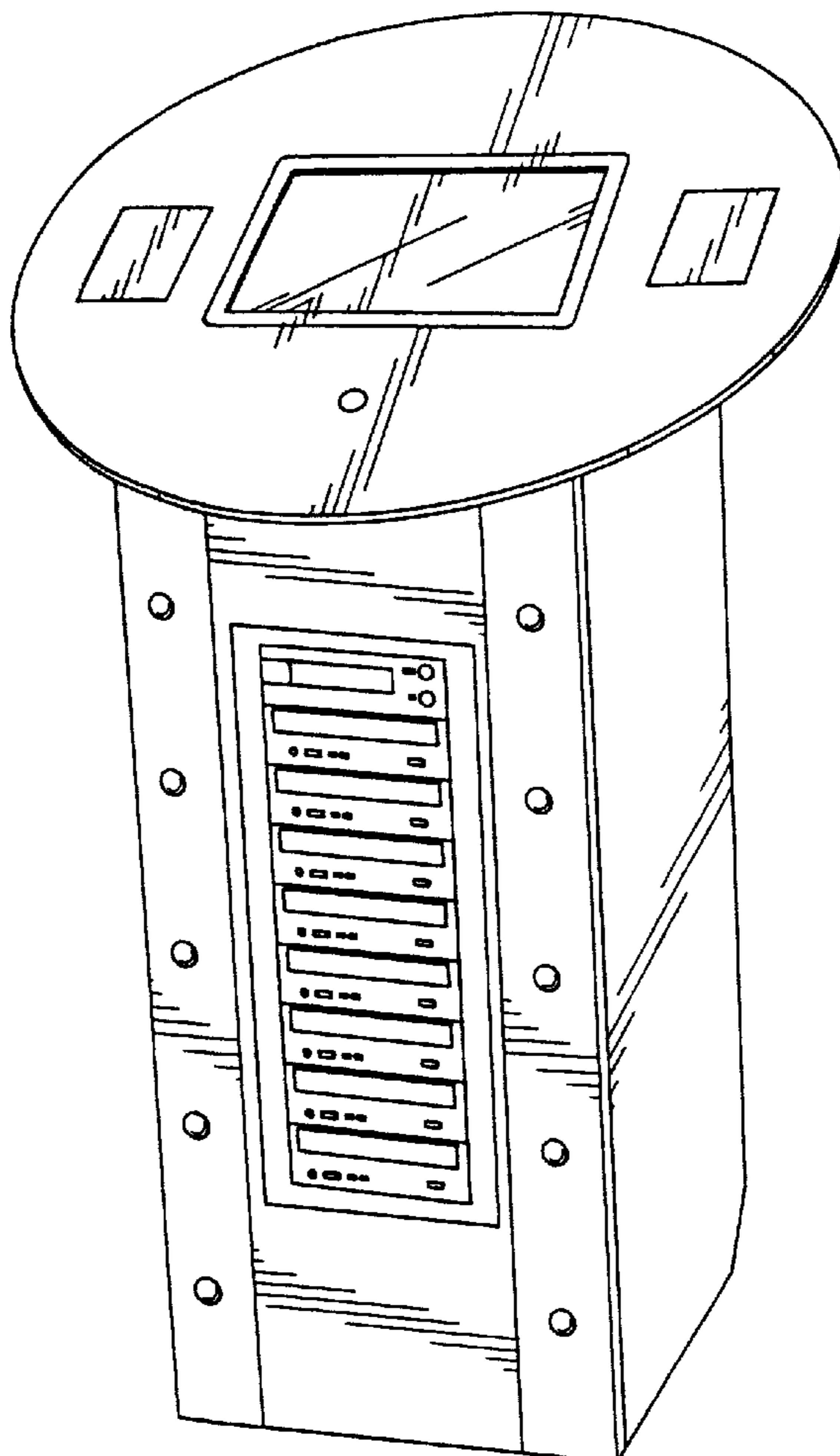
FIG. 1 is a perspective view of a digital copier kiosk, showing my new design;

FIG. 2 is a rear elevational view thereof; and,

FIG. 3 is a side elevational view thereof, the opposite side being a mirror image.

The bottom view is specifically disclaimed.

1 Claim, 1 Drawing Sheet



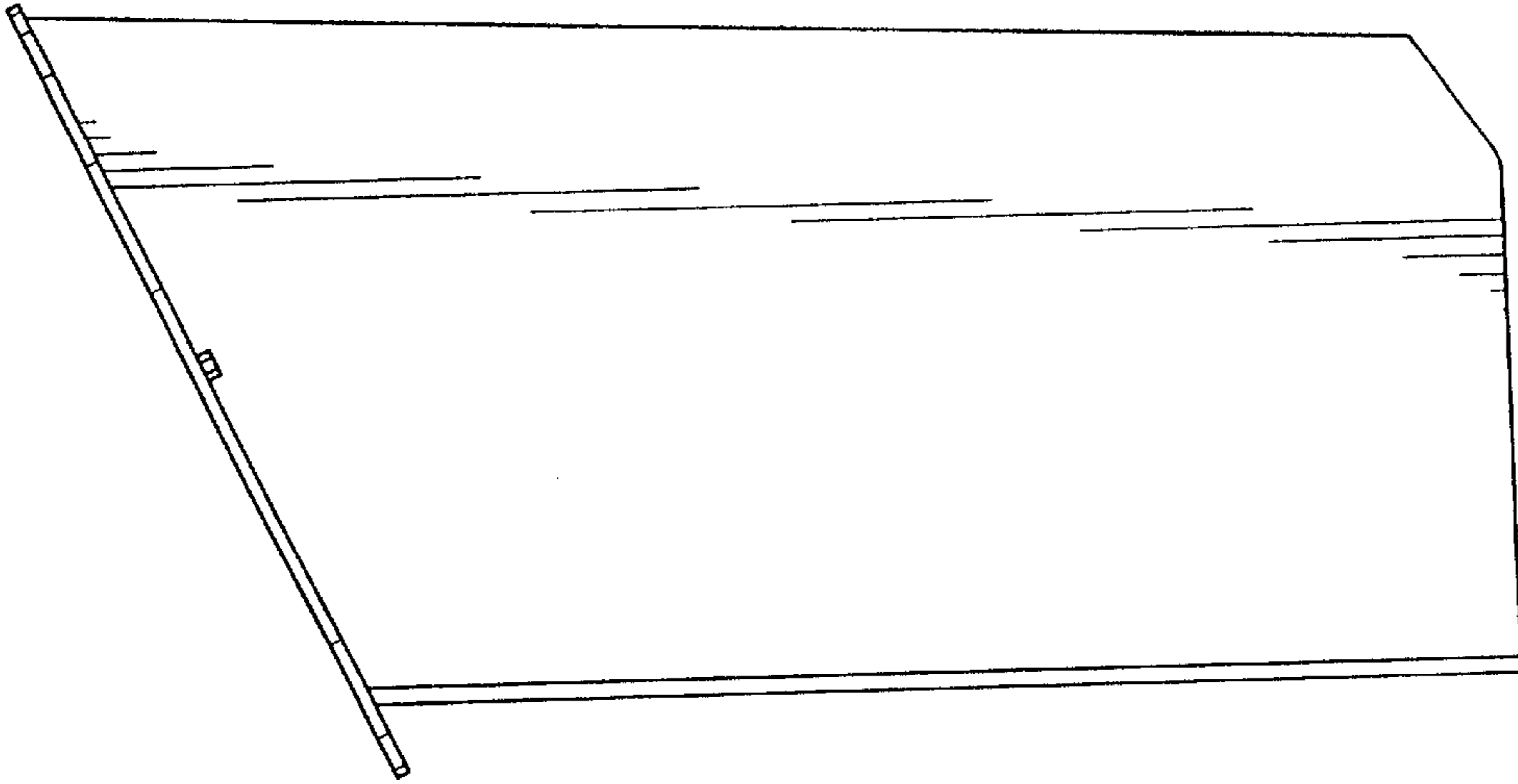


FIG. 3

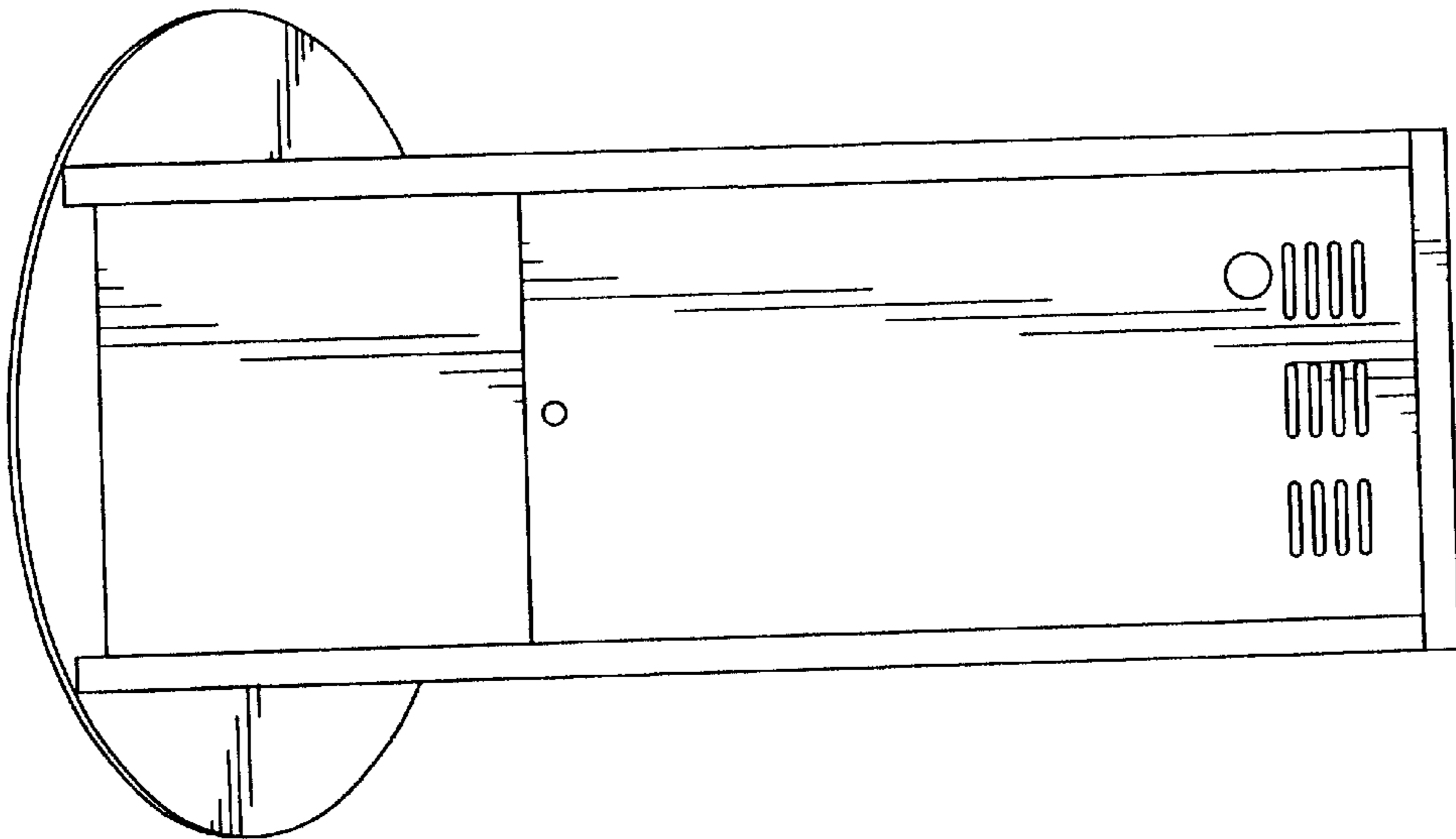


FIG. 2

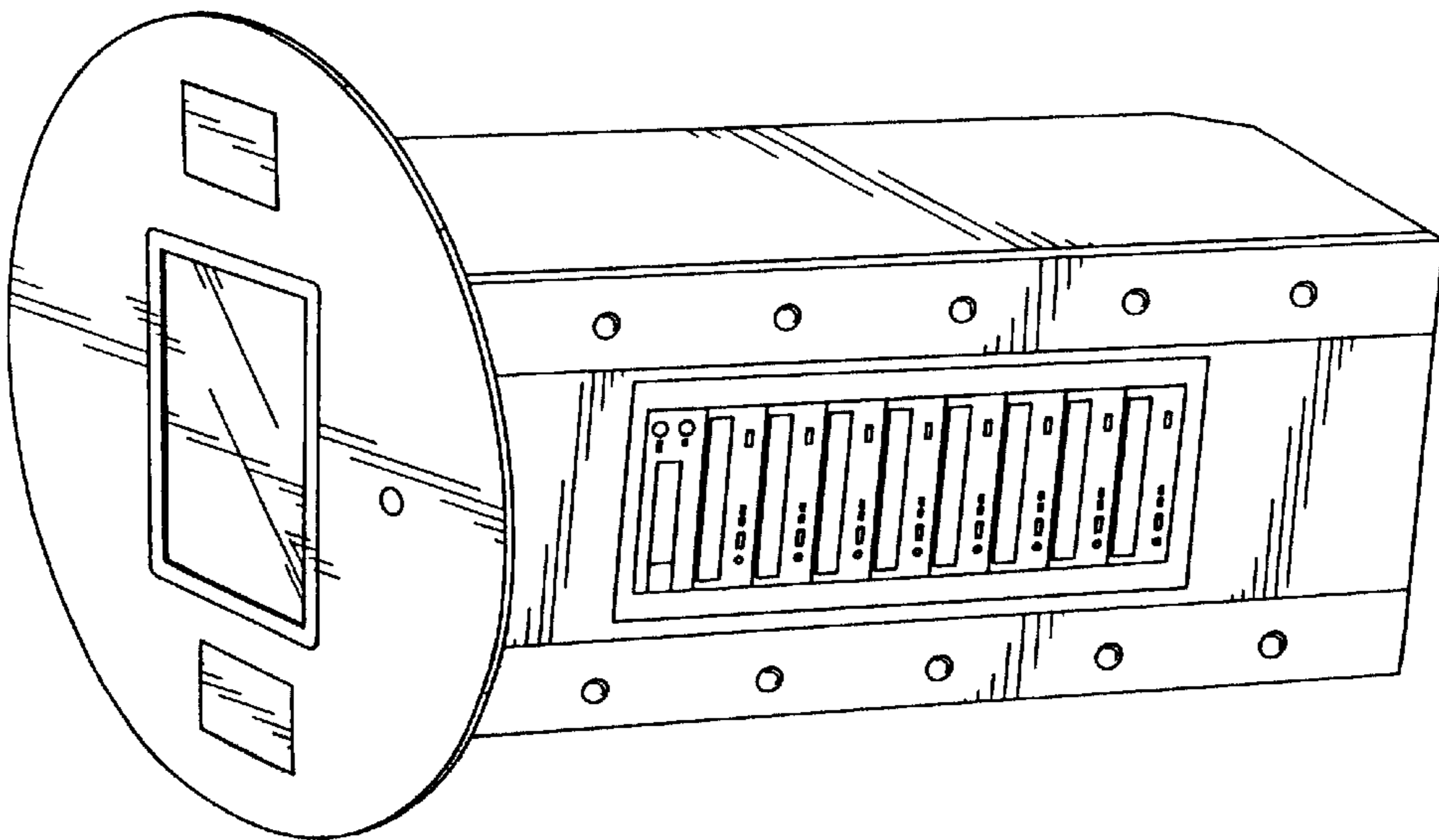


FIG. 1