



US00D477836S

(12) **United States Design Patent**  
**Balog et al.**

(10) **Patent No.:** **US D477,836 S**

(45) **Date of Patent:** **\*\* Jul. 29, 2003**

(54) **COUNTERFEIT DETECTION CASH REGISTER**

(75) Inventors: **James R. Balog**, Somerset, NJ (US);  
**Timothy C. Repp**, Pleasant Valley, CT (US)

(73) Assignee: **Royal Consumer Information Products, Inc.**, Somerset, NJ (US)

(\*\*) Term: **14 Years**

(21) Appl. No.: **29/169,840**

(22) Filed: **Oct. 24, 2002**

(51) **LOC (7) Cl.** ..... **18-01**

(52) **U.S. Cl.** ..... **D18/4.5**

(58) **Field of Search** ..... D18/4.1-4.6, 7,  
D18/11, 12.3; 235/7 R, 61 R; 364/706-710;  
705/15, 16, 18; 250/461.1, 556

(56) **References Cited**

**U.S. PATENT DOCUMENTS**

3,618,765 A	11/1971	Cooper	209/122
D306,310 S	* 2/1990	Kobayashi et al.	D18/4.1
4,980,569 A	12/1990	Crane et al.	250/556
5,260,582 A	11/1993	Danek et al.	250/556
5,308,992 A	5/1994	Crane et al.	250/556
5,399,874 A	3/1995	Gonsalves et al.	250/556
5,434,427 A	7/1995	Crane et al.	250/556
5,468,971 A	11/1995	Ebstein et al.	250/556
D394,667 S	5/1998	Romano	D16/135

D397,719 S	* 9/1998	Masuda	D18/4.1
D403,006 S	12/1998	Romano	D16/135
5,874,742 A	2/1999	Romano	250/461.1
5,877,852 A	3/1999	Schilbach et al.	356/71
5,942,759 A	8/1999	Romano	250/461.1
D454,150 S	3/2002	Shigemura et al.	D18/4.1

**FOREIGN PATENT DOCUMENTS**

DE	4404871	8/1995
DE	4407601	9/1995
GB	2354624	9/1999
JP	2000172952	6/2000

\* cited by examiner

*Primary Examiner*—Caron D. Veynar

(74) *Attorney, Agent, or Firm*—Roberts & Mercanti, LLP

(57) **CLAIM**

The ornamental design for a counterfeit detection cash register, as shown and described.

**DESCRIPTION**

FIG. 1 is a front perspective view of a counterfeit detection cash register, showing our new design.

FIG. 2 is a front elevational view thereof.

FIG. 3 is a left side elevational view thereof.

FIG. 4 is a right side view thereof.

FIG. 5 is a top plan view thereof.

FIG. 6 is a rear elevational view thereof; and,

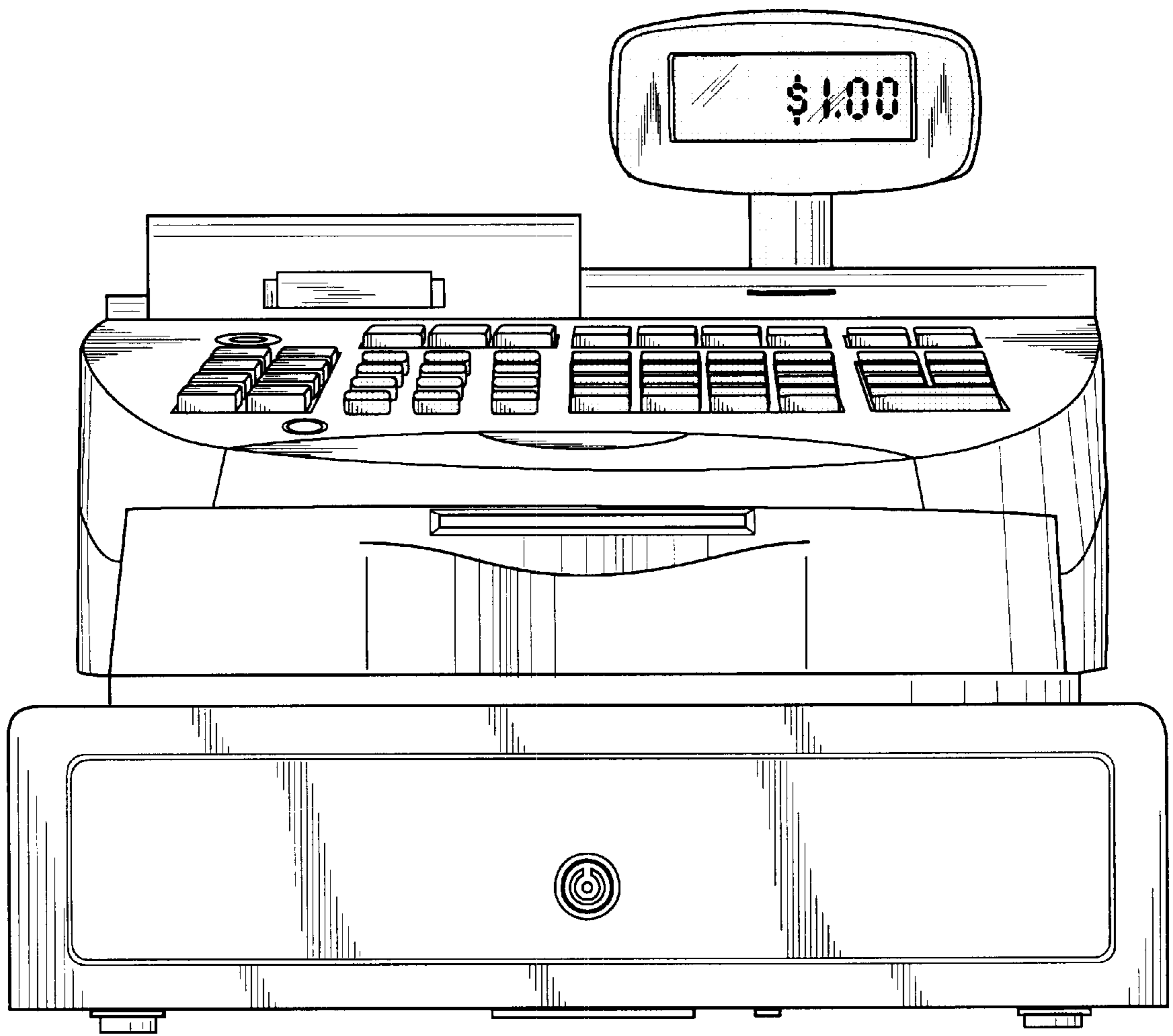
FIG. 7 is a bottom view thereof.

**1 Claim, 7 Drawing Sheets**

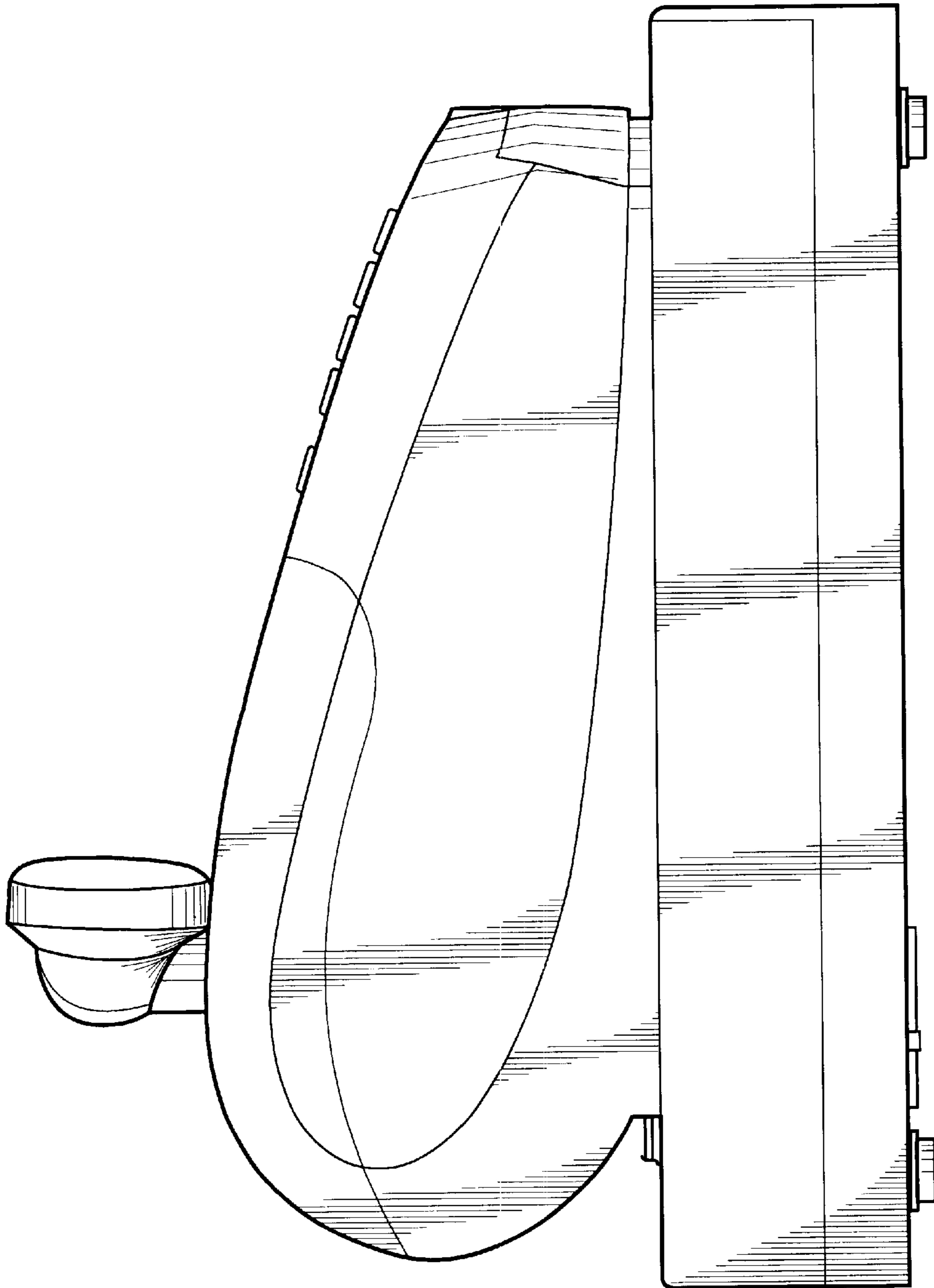




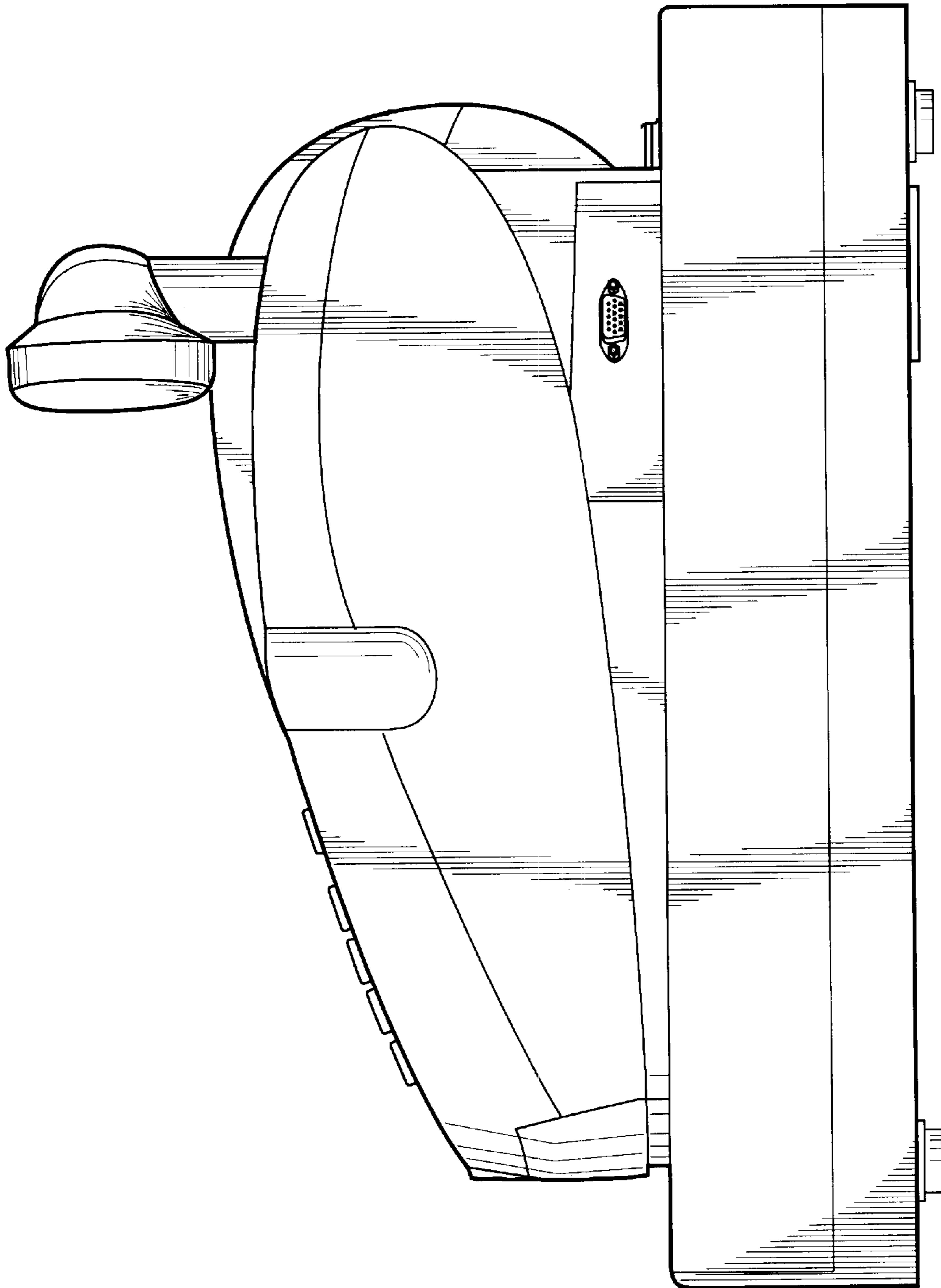
**FIG. 1**



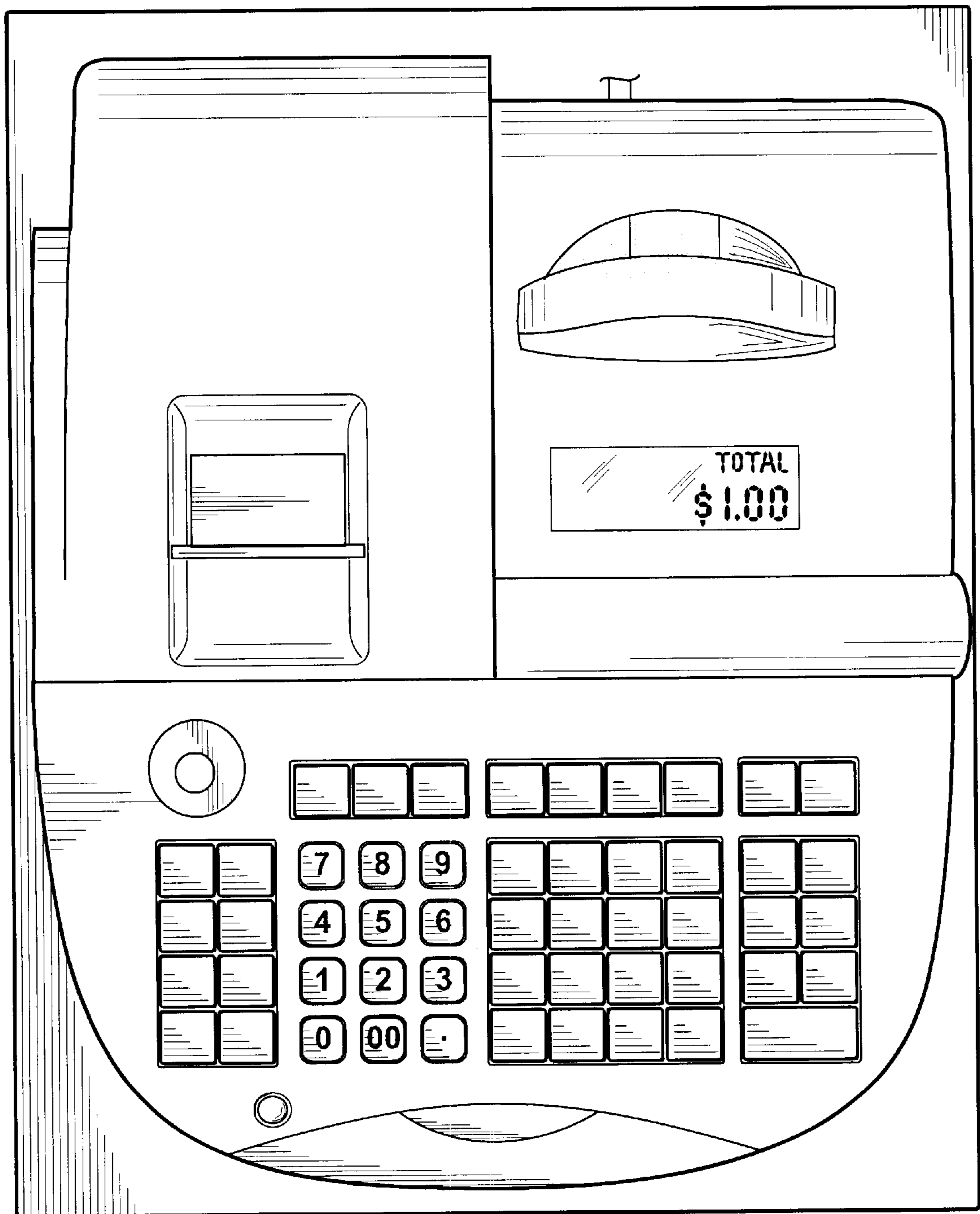
**FIG. 2**



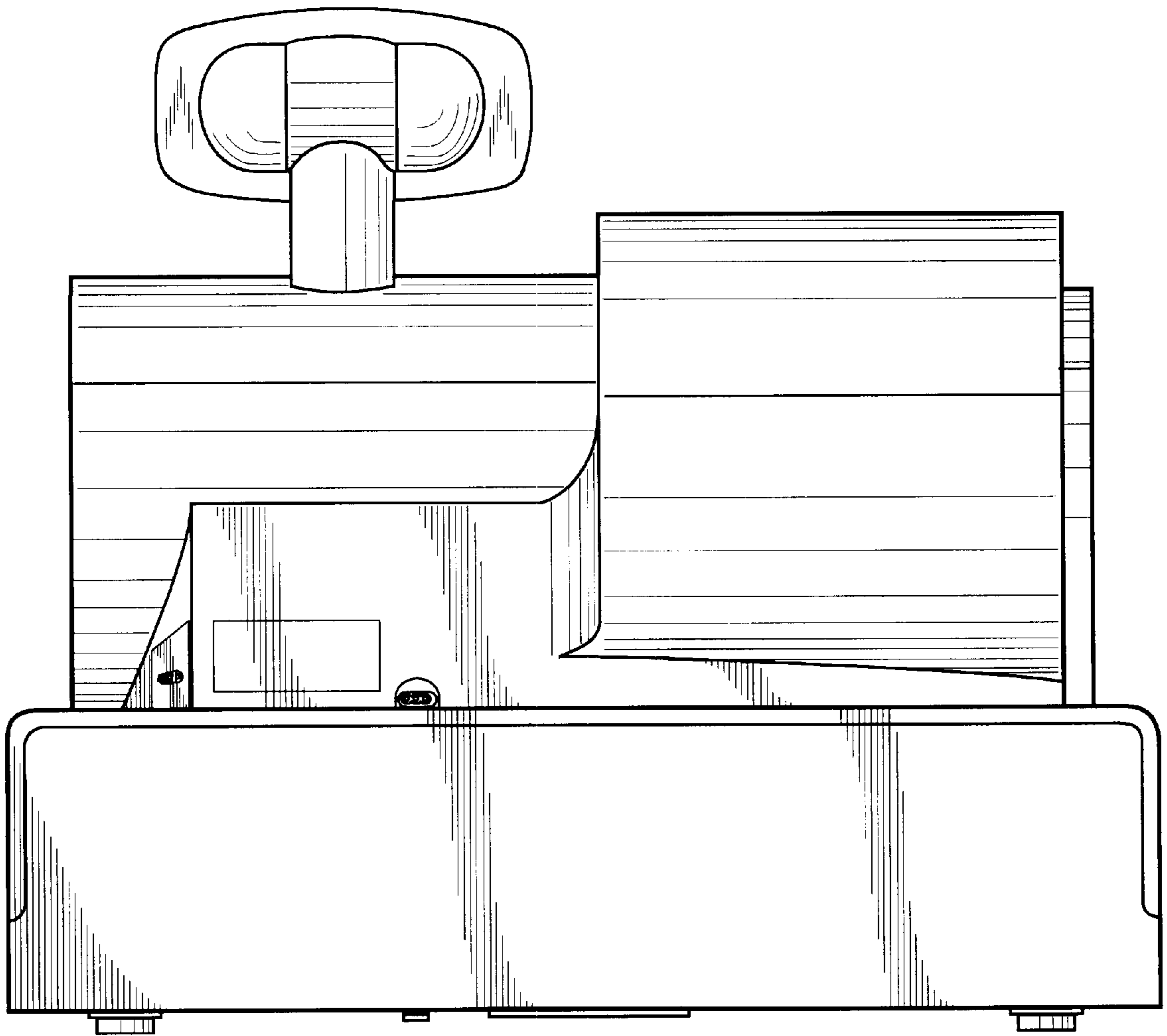
**FIG. 3**



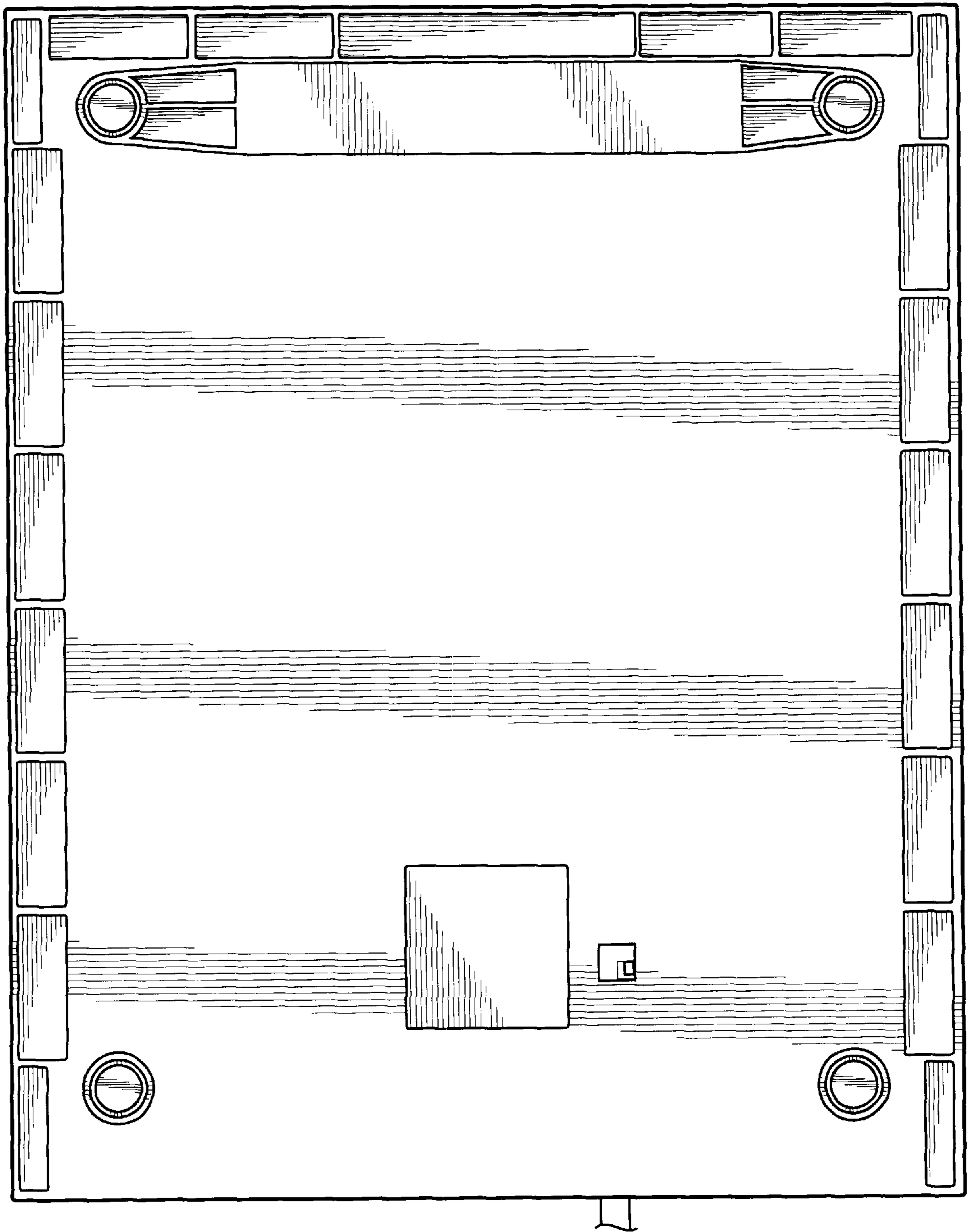
**FIG. 4**



**FIG. 5**



**FIG. 6**



**FIG. 7**