



US00D477832S

(12) **United States Design Patent**
Suzuki

(10) **Patent No.:** **US D477,832 S**

(45) **Date of Patent:** **** Jul. 29, 2003**

(54) **CAMERA**

(75) Inventor: **Akio Suzuki**, Tokyo (JP)

(73) Assignee: **Sony Corporation**, Tokyo (JP)

(**) Term: **14 Years**

(21) Appl. No.: **29/167,657**

(22) Filed: **Sep. 19, 2002**

(51) **LOC (7) Cl.** **16-01**

(52) **U.S. Cl.** **D16/218; D16/202**

(58) **Field of Search** **D16/200-206,**
D16/208, 209, 212, 218; 348/373-376;
396/348, 439, 535-541

(56) **References Cited**

U.S. PATENT DOCUMENTS

3,418,809 A	*	12/1968	Kopp	D16/218
D416,270 S		11/1999	Harata	D16/202
D430,186 S	*	8/2000	Suzuki et al.	D16/218
D449,628 S	*	10/2001	Obata et al.	D16/202
D450,073 S	*	11/2001	Sumita	D16/202
D450,737 S		11/2001	Suzuki	D16/202
D451,115 S	*	11/2001	Sumita	D16/202
6,347,893 B1	*	2/2002	Shiono et al.	396/448
D456,431 S	*	4/2002	Kim	D16/202

OTHER PUBLICATIONS

Web page "Canon Autobody IXY," <http://www.canon-sales.co.jp/camera/ixy/i/index.html>, 1 sheet, CANON (Jun. 2002).

Web page "Yodobashi.com: PowerShot S40," <http://www7.yodobashi.com/shopping/i.jsp?oid=1502548>, 1 sheet, YODOBASHI CAMERA CO., LTD. (Jun. 2002).

* cited by examiner

Primary Examiner—Adir Aronovich

(74) *Attorney, Agent, or Firm*—Rader, Fishman & Grauer PLLC

(57) **CLAIM**

The ornamental design for a camera, as shown.

DESCRIPTION

FIG. 1 is a perspective view of a camera showing my new design;

FIG. 2 is a front elevational view thereof;

FIG. 3 is a rear elevational view thereof;

FIG. 4 is a left side elevational view thereof;

FIG. 5 is a right side elevational view thereof;

FIG. 6 is a top plan view thereof; and,

FIG. 7 is a bottom plan view thereof.

1 Claim, 6 Drawing Sheets

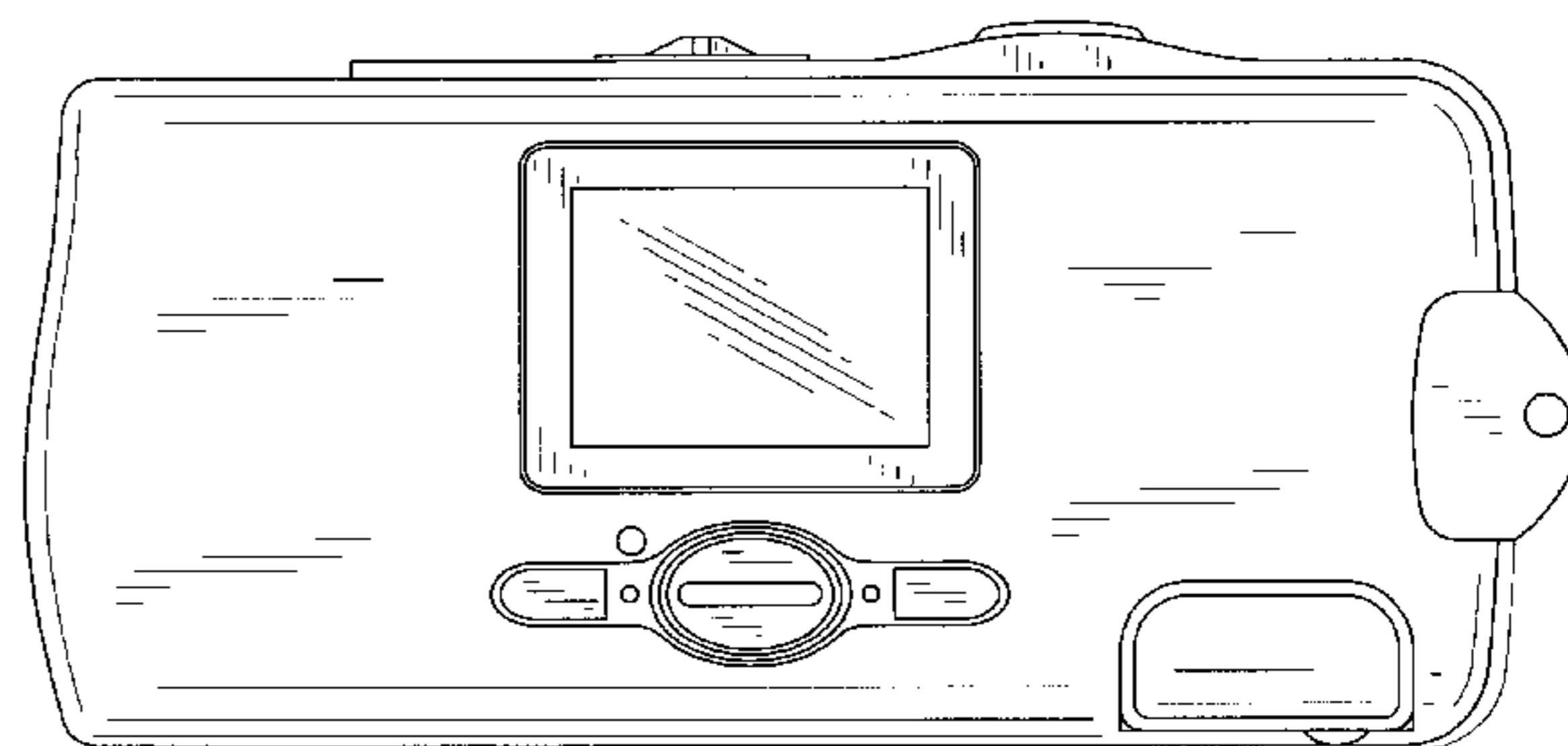
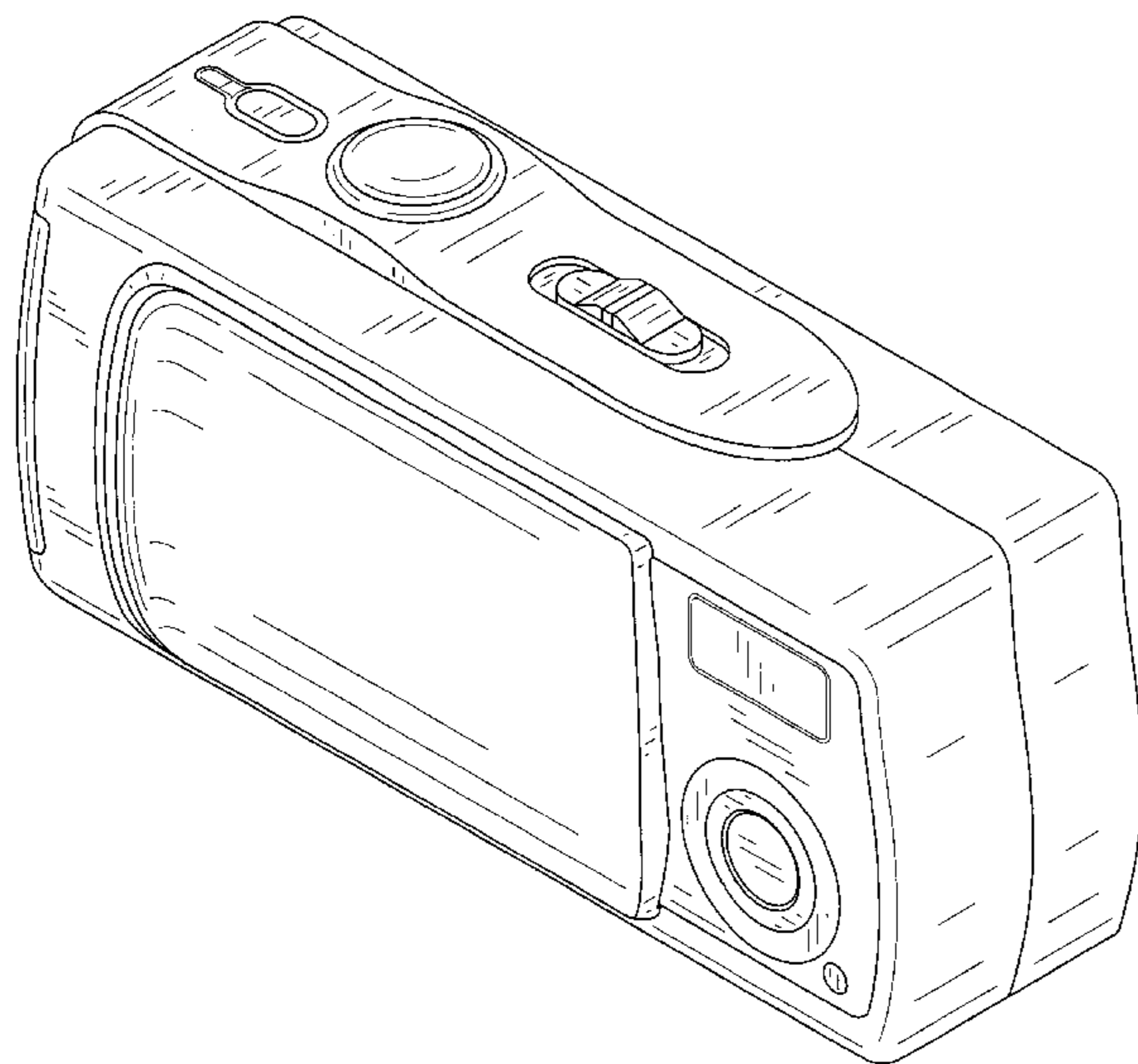


FIG. 1

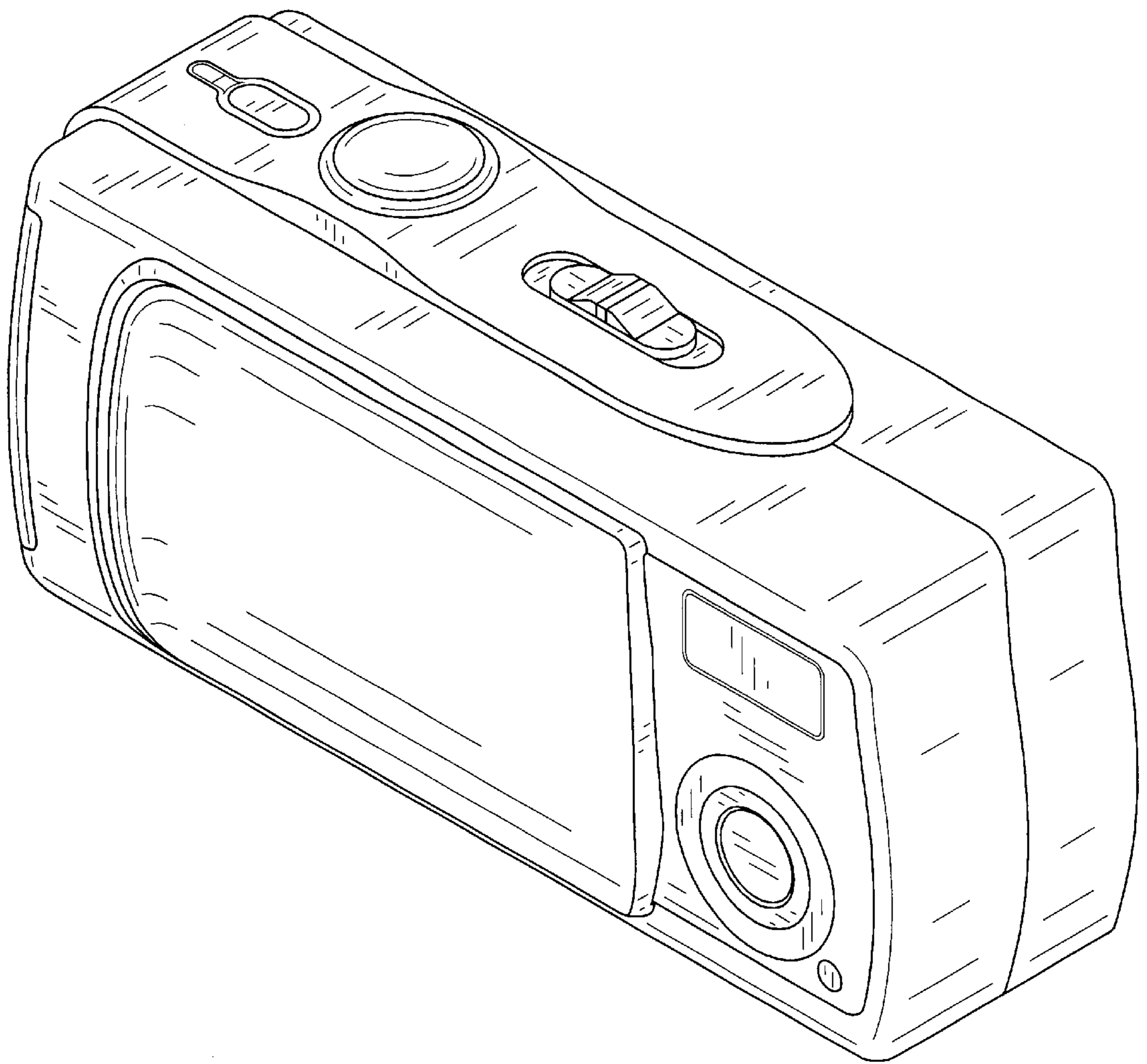


FIG. 2

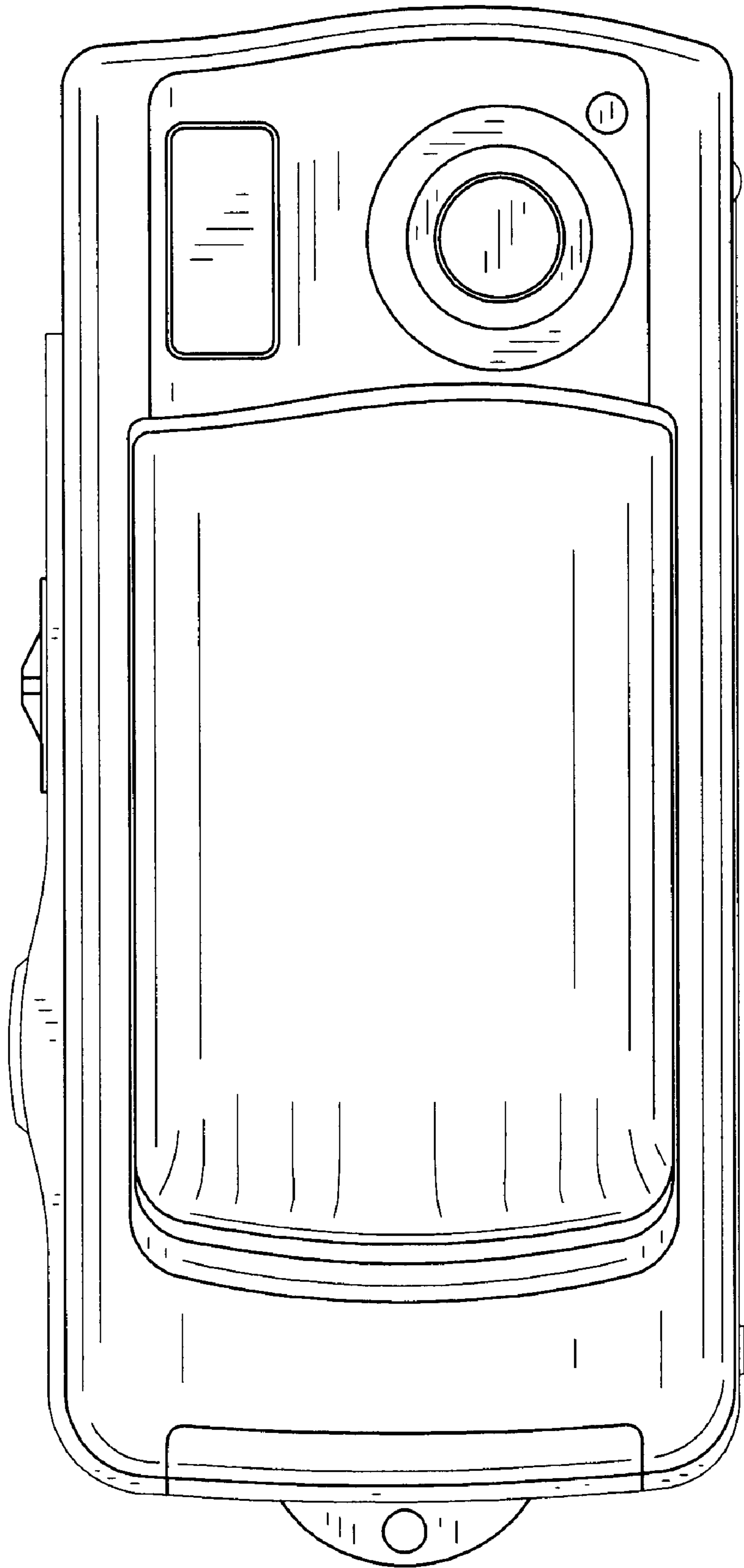


FIG. 3

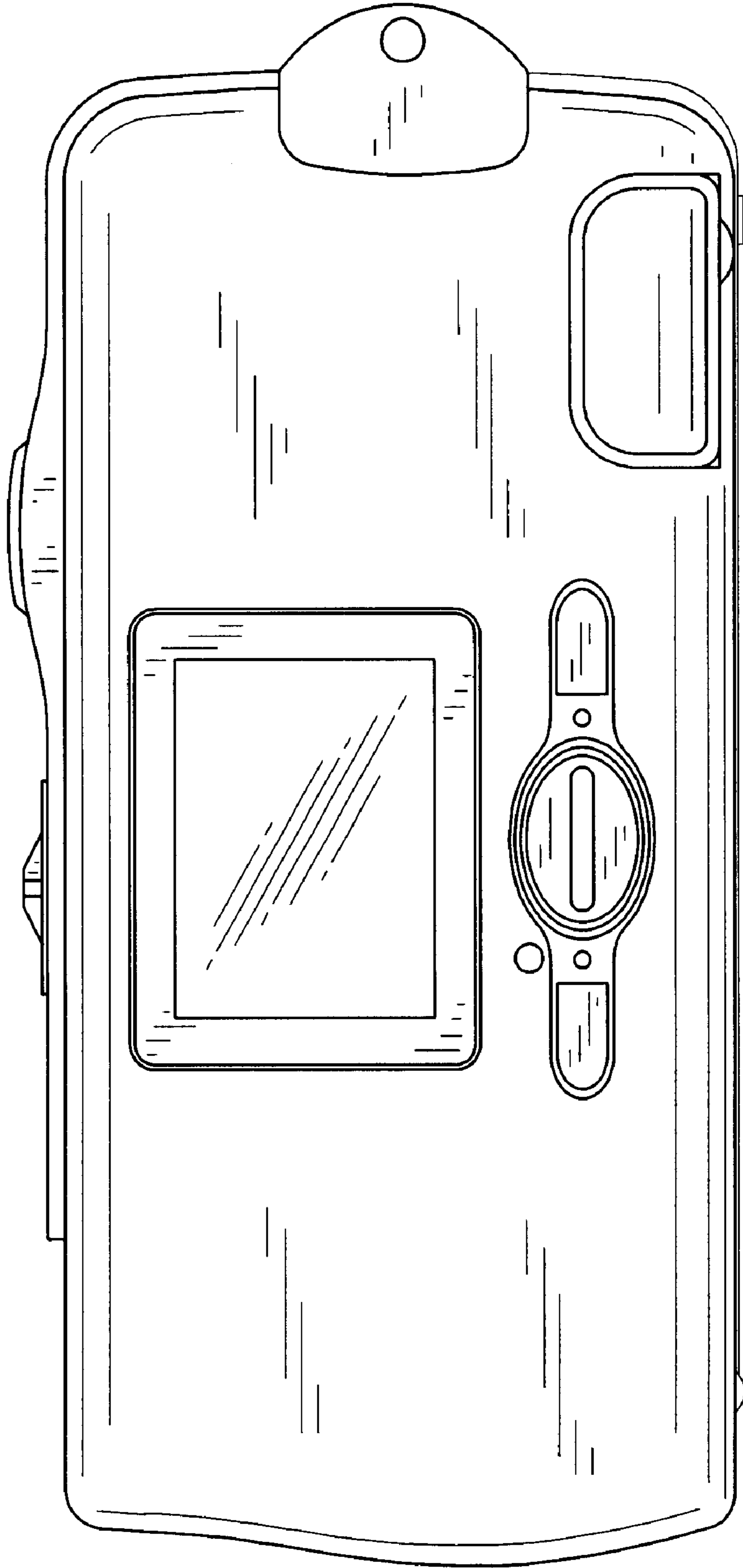


FIG. 4

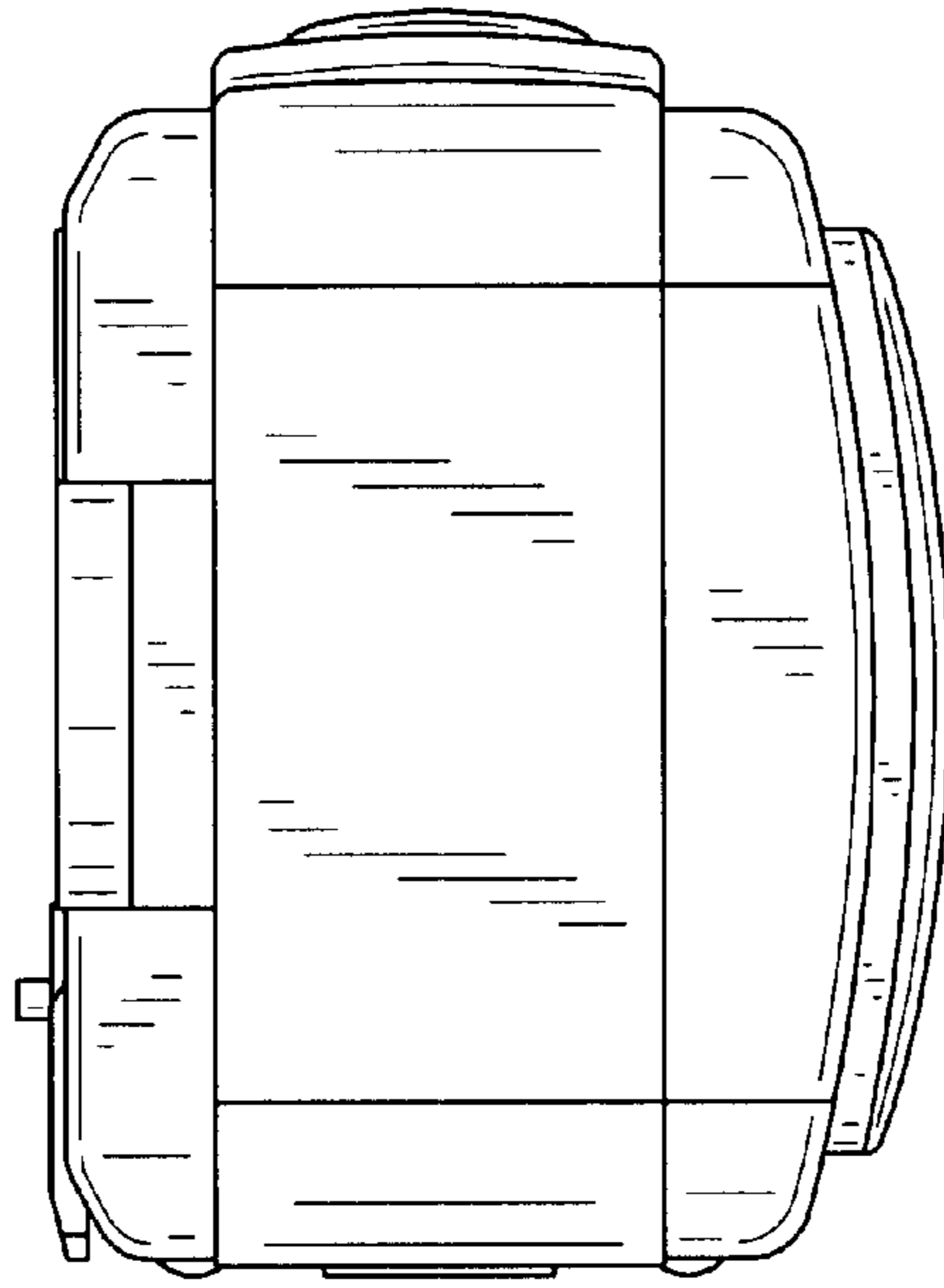


FIG. 5

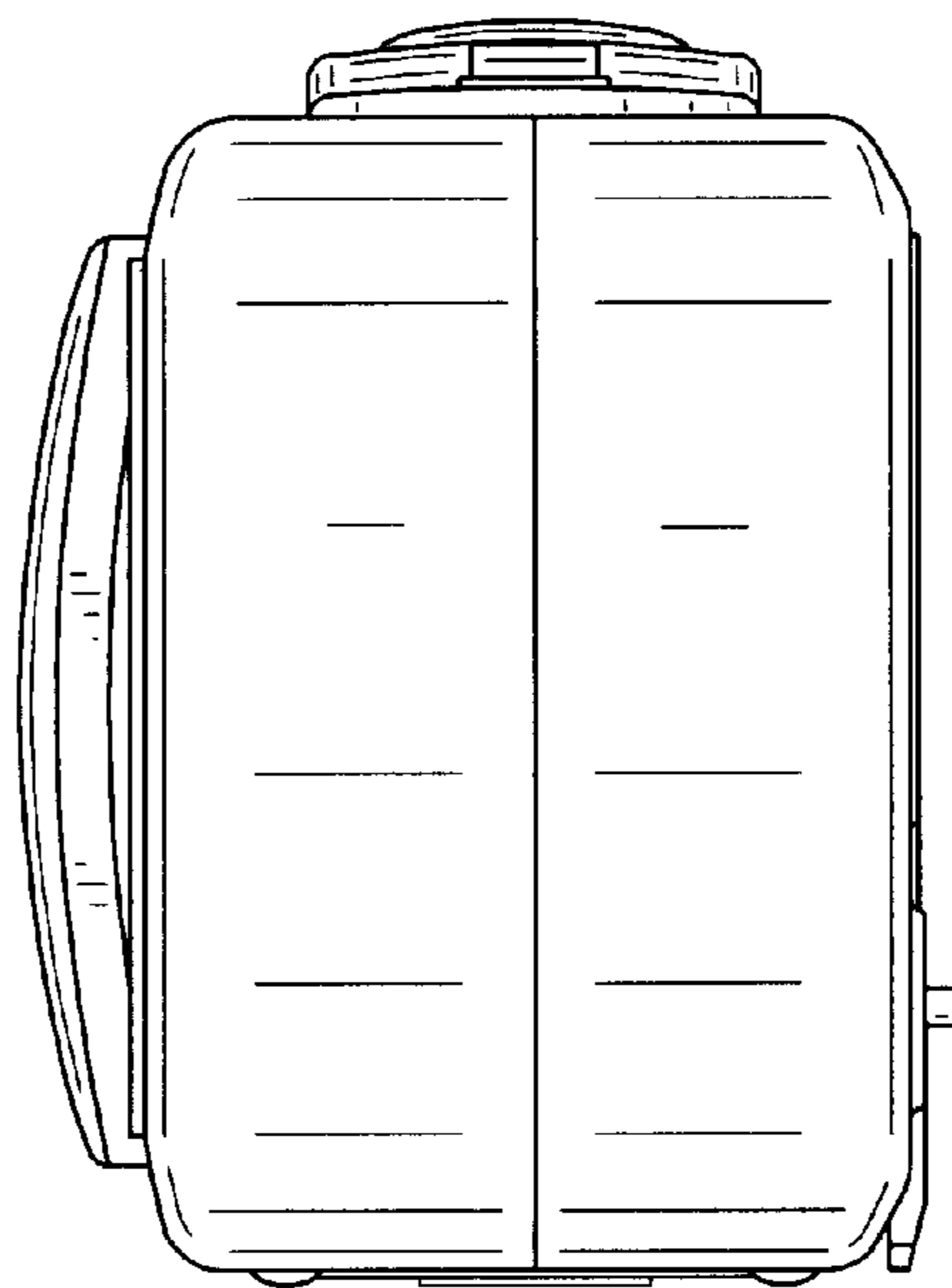


FIG. 6

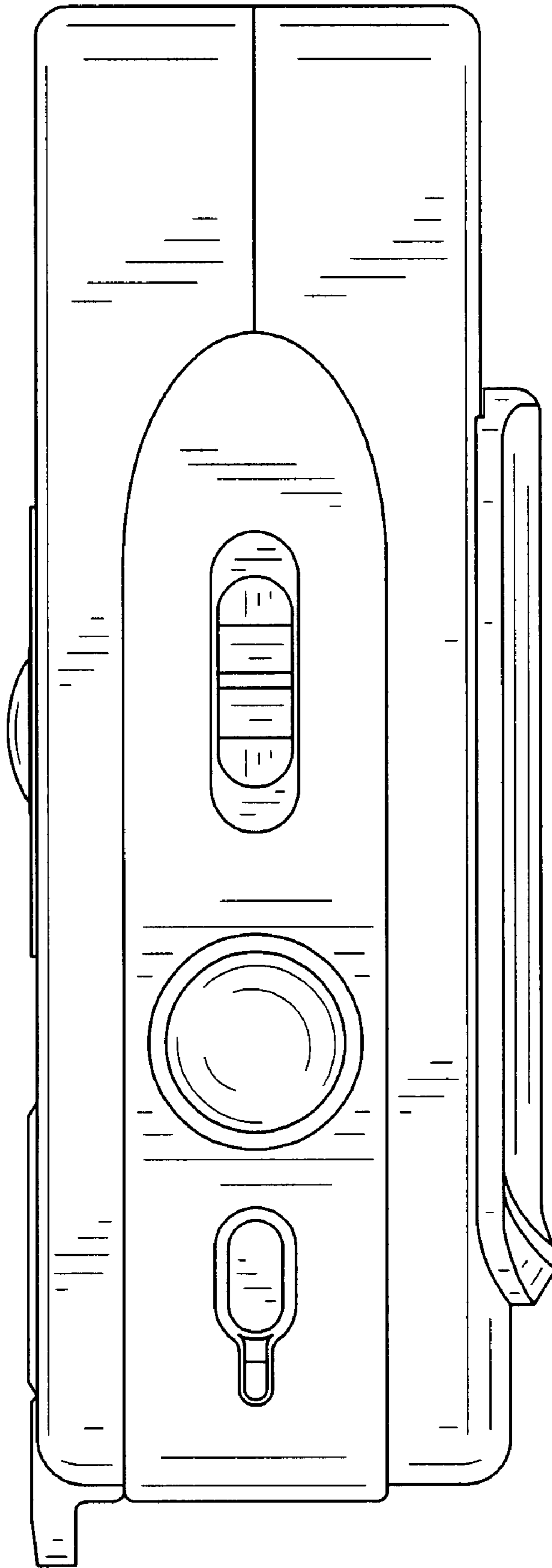


FIG. 7

