



US00D477829S

(12) **United States Design Patent**
Hussaini et al.

(10) **Patent No.:** **US D477,829 S**

(45) **Date of Patent:** **** Jul. 29, 2003**

(54) **AUDIO AND STAND ACCESSORY FOR AN ELECTRONIC DEVICE**

(75) Inventors: **Saied Hussaini**, Miami, FL (US); **Marc Iacovelli**, Miami, FL (US)

(73) Assignee: **Intec, Inc.**, Miami, FL (US)

(**) Term: **14 Years**

(21) Appl. No.: **29/156,552**

(22) Filed: **Mar. 5, 2002**

(51) **LOC (7) Cl.** **14-03**

(52) **U.S. Cl.** **D14/496; D14/172**

(58) **Field of Search** D21/324, 333;
D14/172, 496, 125, 129, 204, 210-217,
219, 193-198; 273/148 B; 463/46, 47;
381/182, 300, 307, 359, 361, 386; 181/144-148

(56) **References Cited**

U.S. PATENT DOCUMENTS

D71,054 S	*	9/1926	Dennis	D14/172
D347,837 S	*	6/1994	Gerlach	D14/496
5,324,036 A	*	6/1994	Morrow	463/47
D379,454 S	*	5/1997	Kruse et al.	D14/496
D387,036 S	*	12/1997	Harden	D14/308
D432,518 S	*	10/2000	Muto	D14/172
D446,218 S	*	8/2001	Nosrat et al.	D14/496
6,290,229 B1	*	9/2001	Perez	273/148 B
6,396,462 B1	*	5/2002	Mead, Jr. et al.	345/156
D462,398 S	*	9/2002	Hussaini et al.	D21/333

* cited by examiner

Primary Examiner—Prabhakar Deshmukh

(74) *Attorney, Agent, or Firm*—Liniak, Berenato & White

(57) **CLAIM**

The ornamental design for an audio and stand accessory for an electronic device, as shown and described.

DESCRIPTION

FIG. 1 is a front perspective view of the audio and stand accessory for an electronic device according to the present invention.

FIG. 2 is an exploded front perspective view of the audio and stand accessory for an electronic device of FIG. 1.

FIG. 3 is a front view of the audio and stand accessory for an electronic device of FIG. 1.

FIG. 4 is a left side view of the audio and stand accessory for an electronic device of FIG. 1.

FIG. 5 is a right side view of the audio and stand accessory for an electronic device of FIG. 1.

FIG. 6 is a rear view of the audio and stand accessory for an electronic device of FIG. 1.

FIG. 7 is a top view of the audio and stand accessory for an electronic device of FIG. 1.

FIG. 8 is a bottom view of the audio and stand accessory for an electronic device of FIG. 1.

FIG. 9 is a front perspective view of the audio and stand accessory for an electronic device according to the present invention with an associated electronic device. The broken lines are for illustrative purpose only and form no part of the claimed design; and,

FIG. 10 is a front view of the audio and stand accessory for an electronic device of FIG. 1 with associated speakers in a raised position.

1 Claim, 9 Drawing Sheets

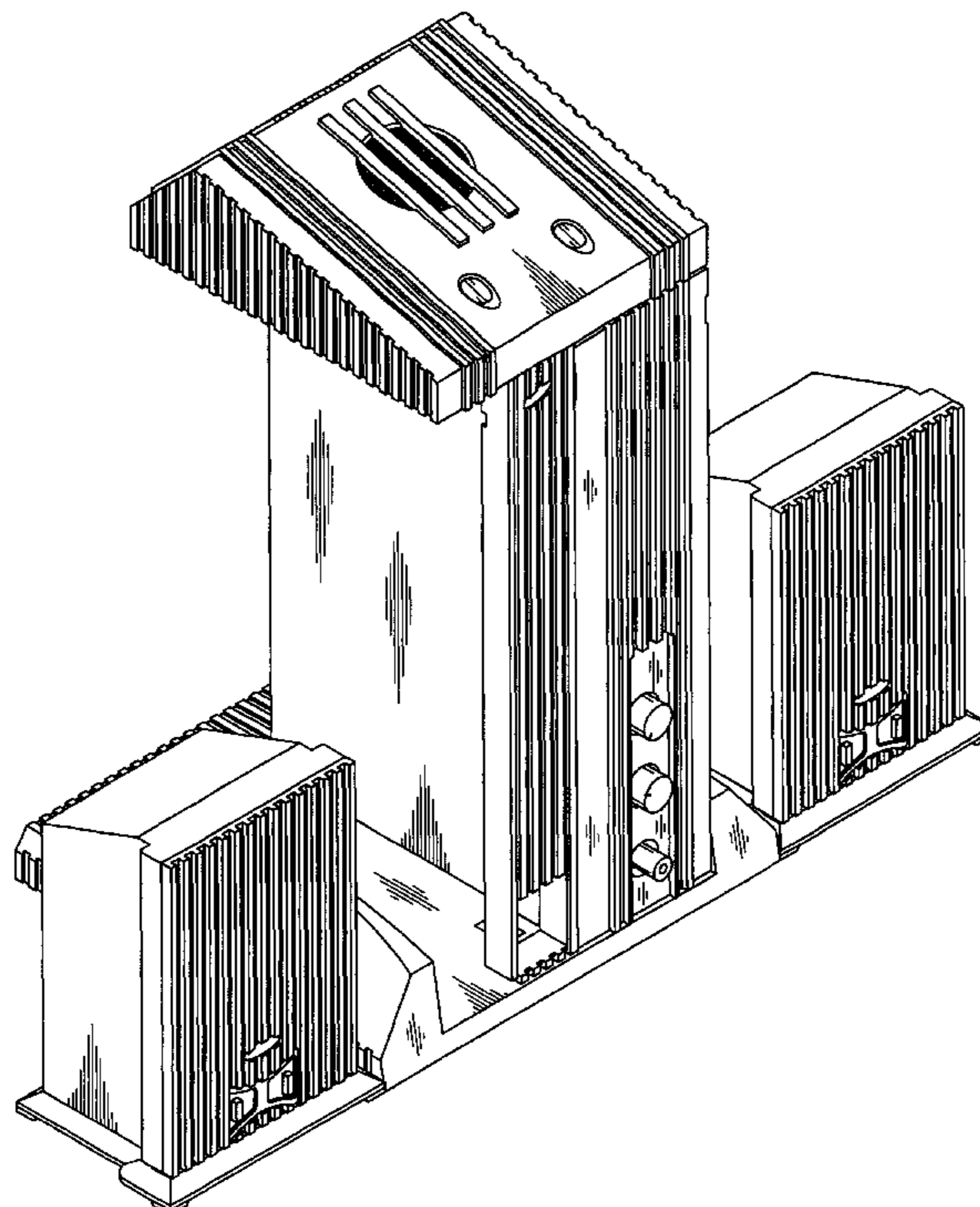


Fig. 1

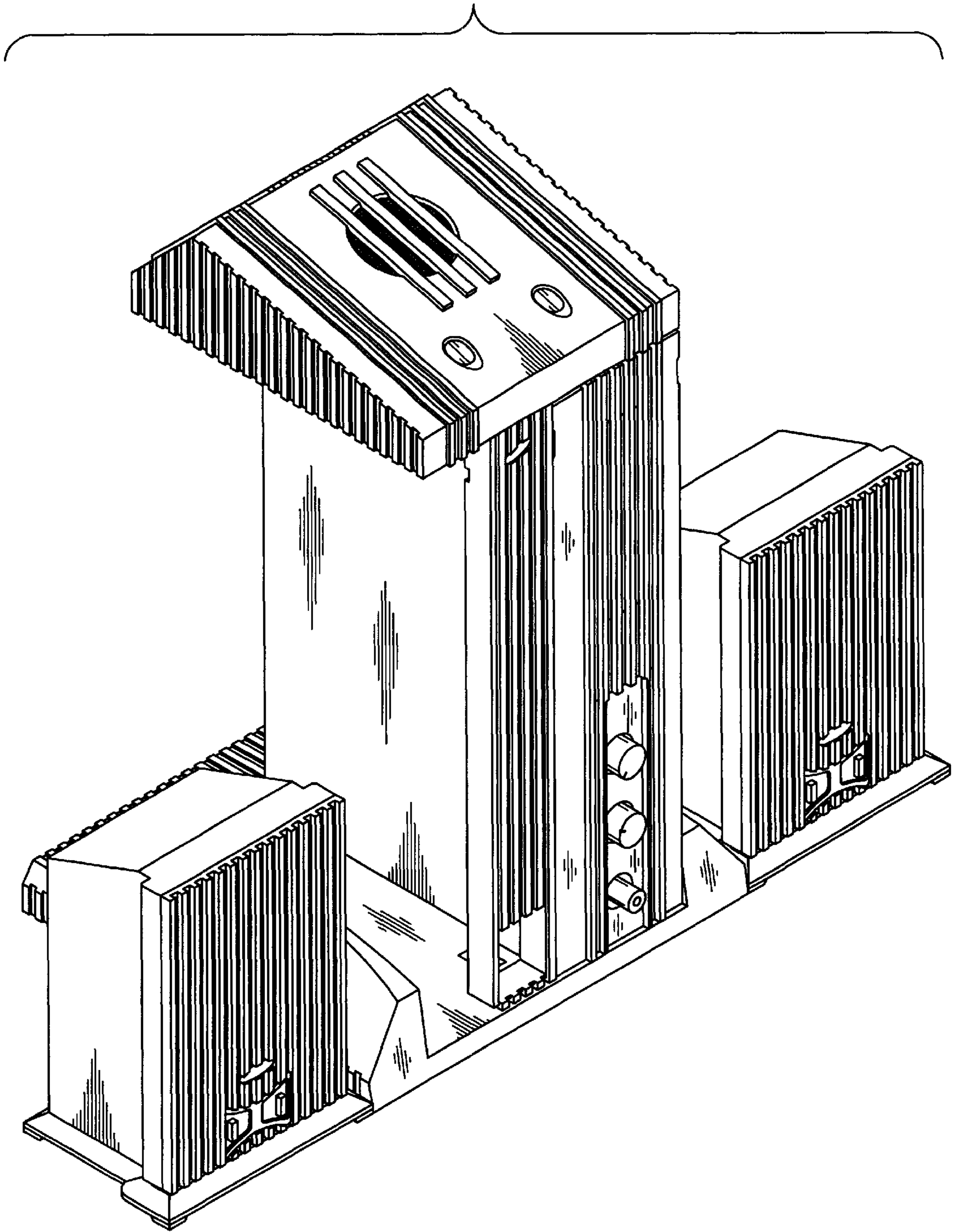
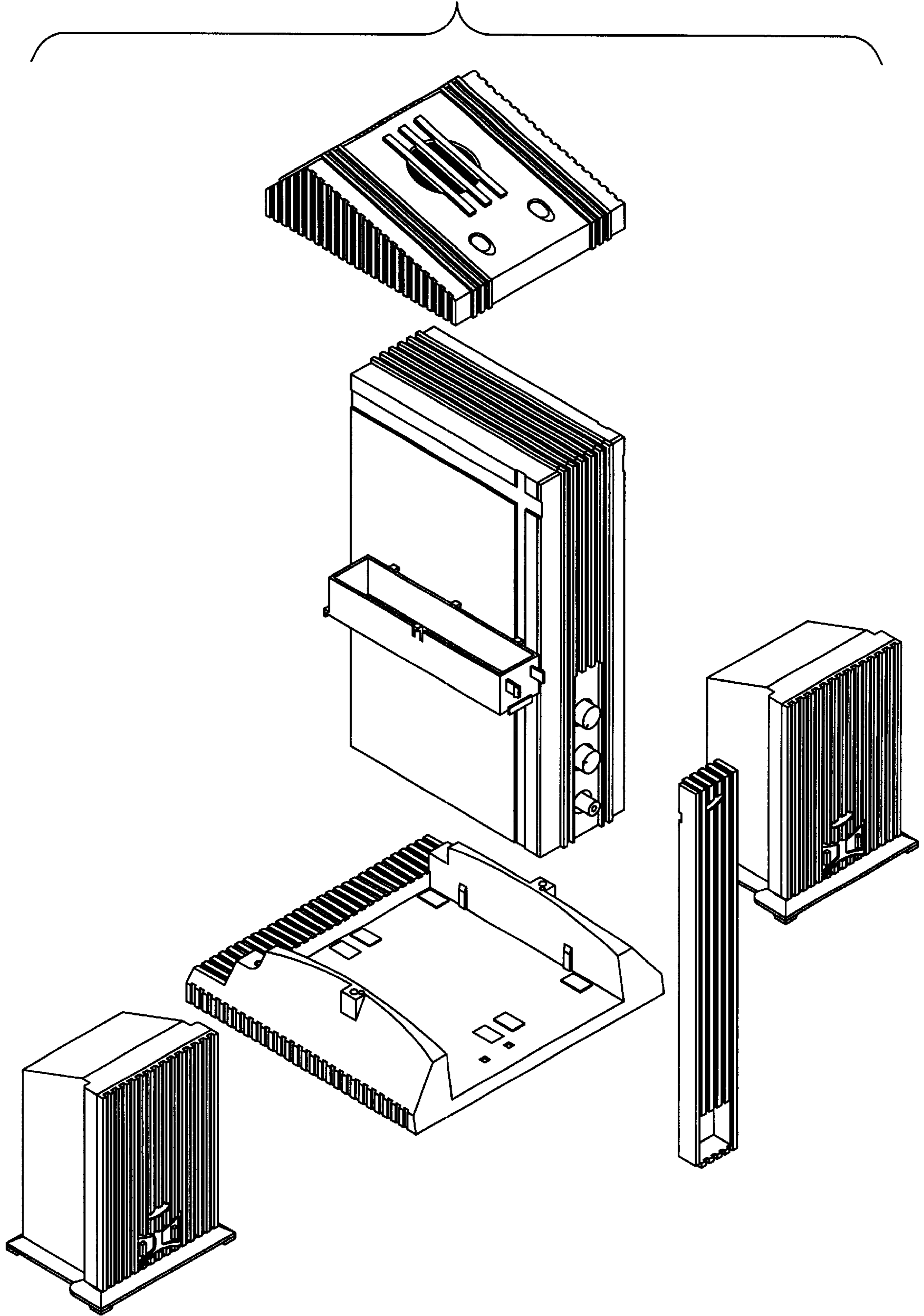


Fig. 2



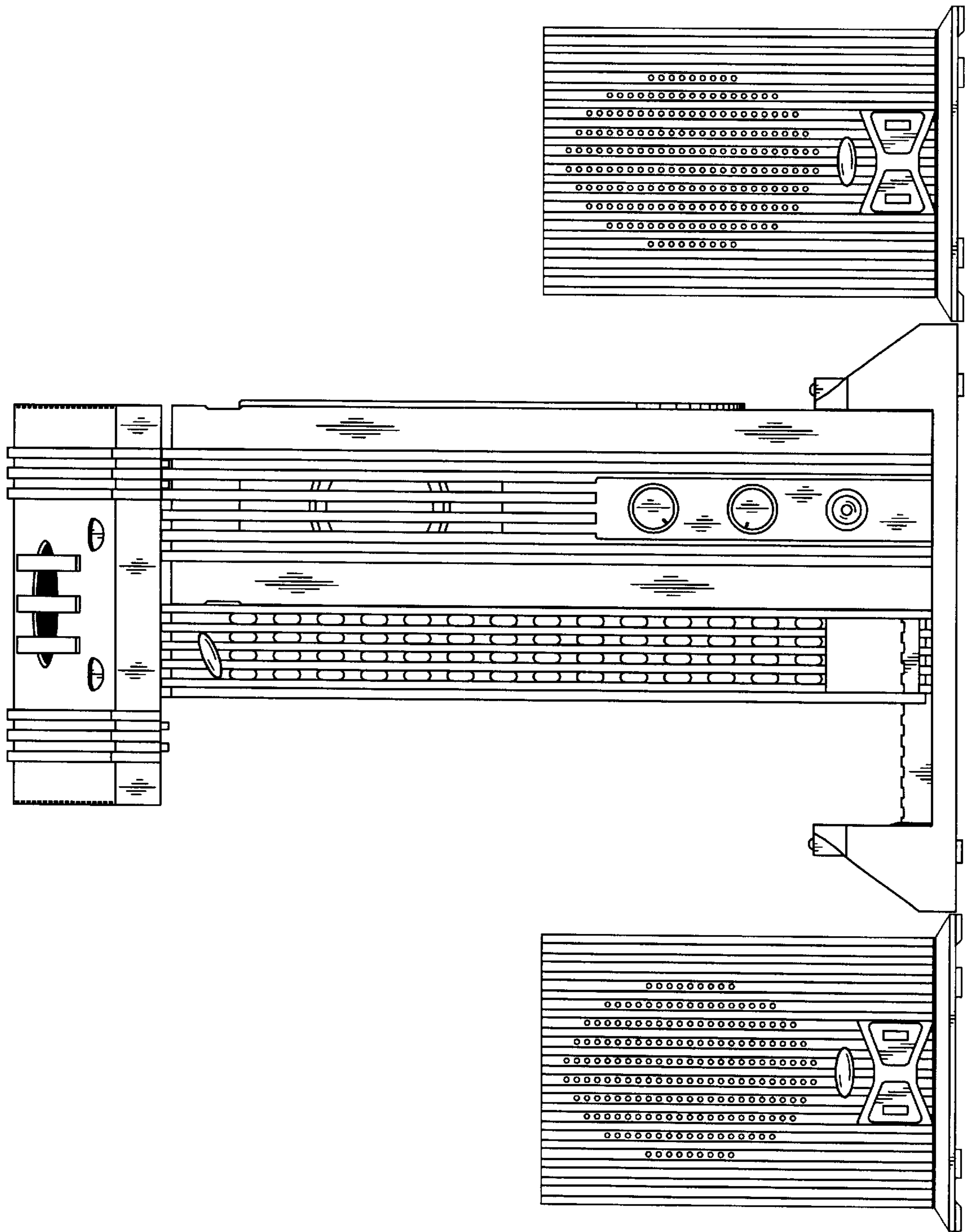


Fig. 3

Fig. 5

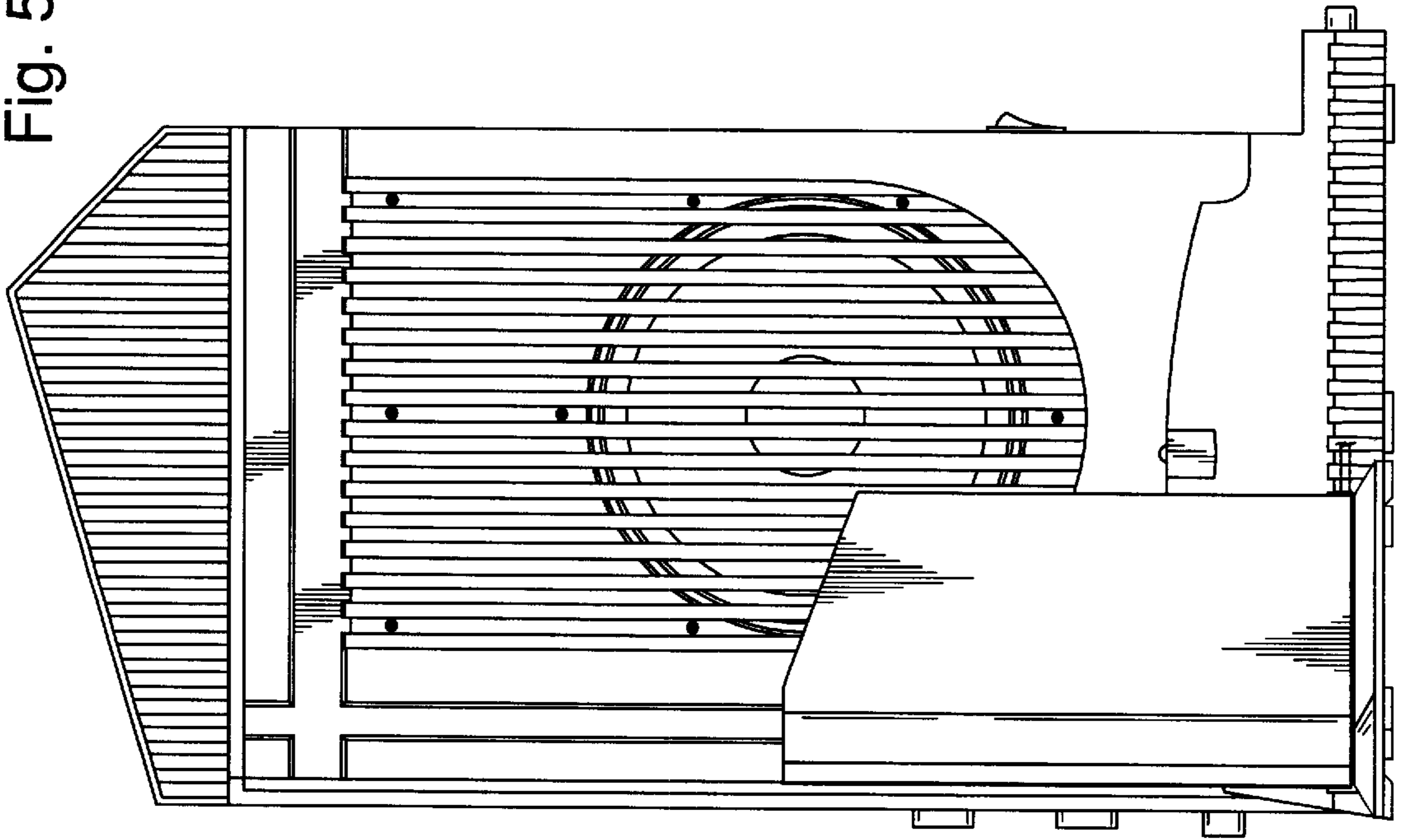
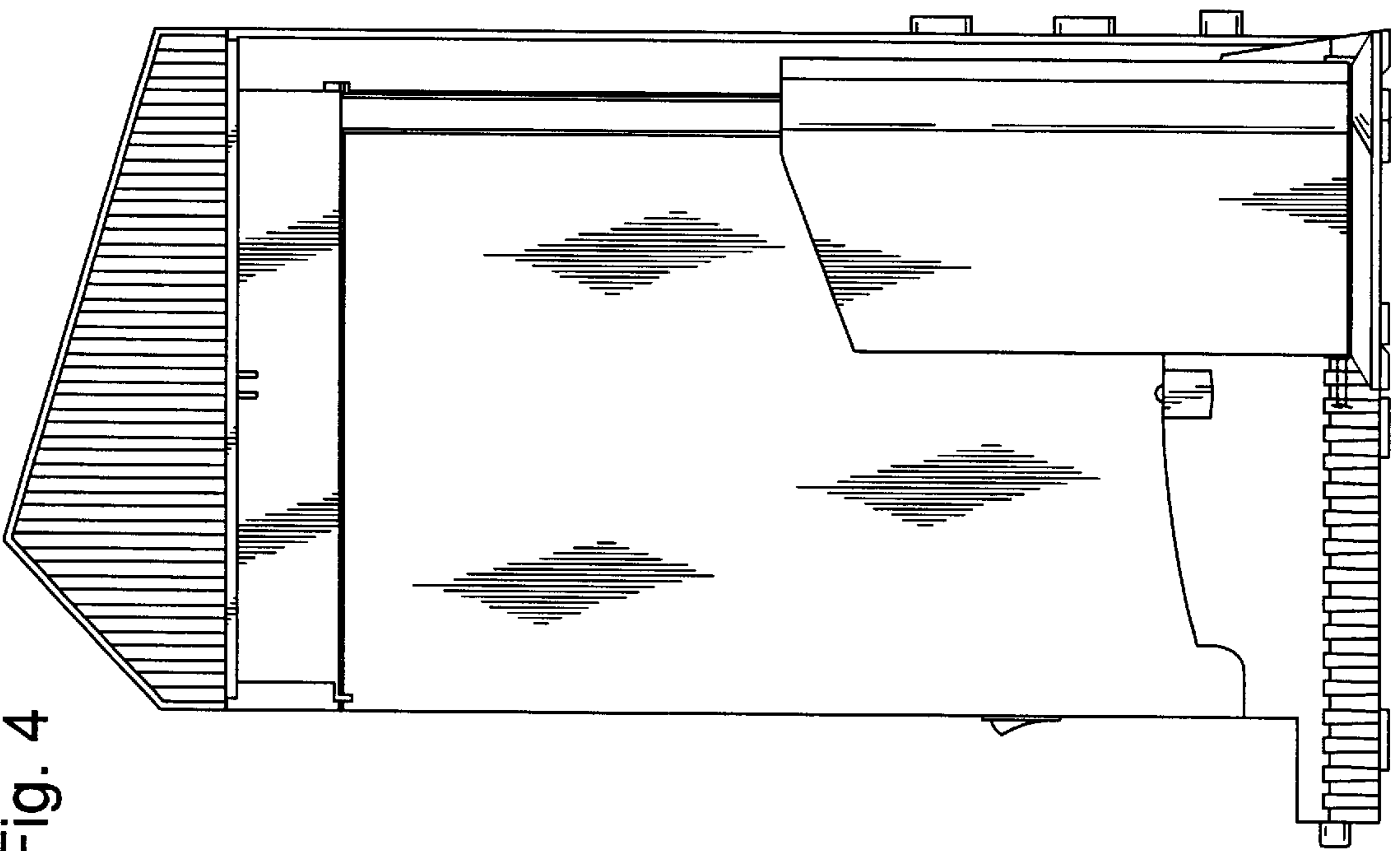


Fig. 4



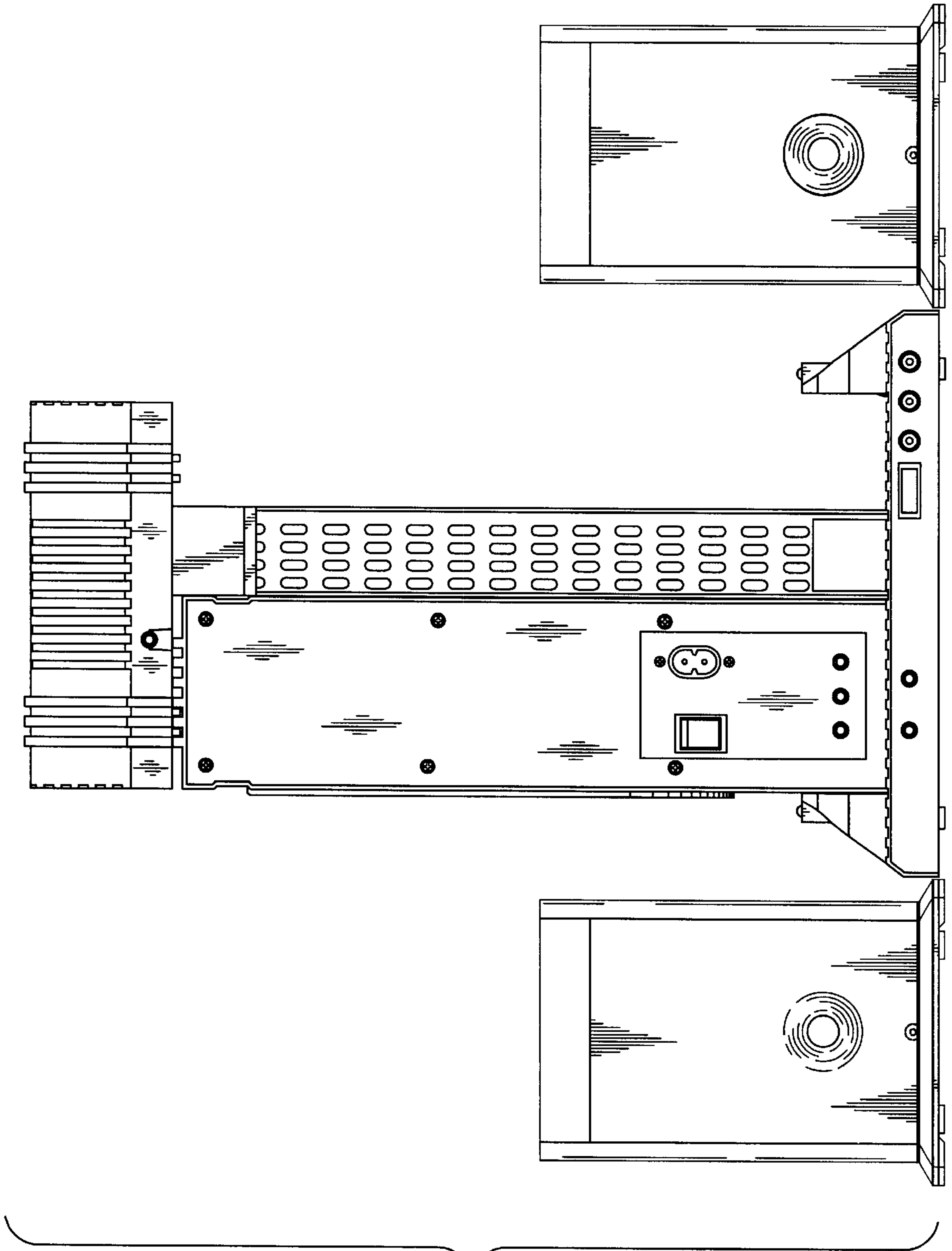


Fig. 6

Fig. 7

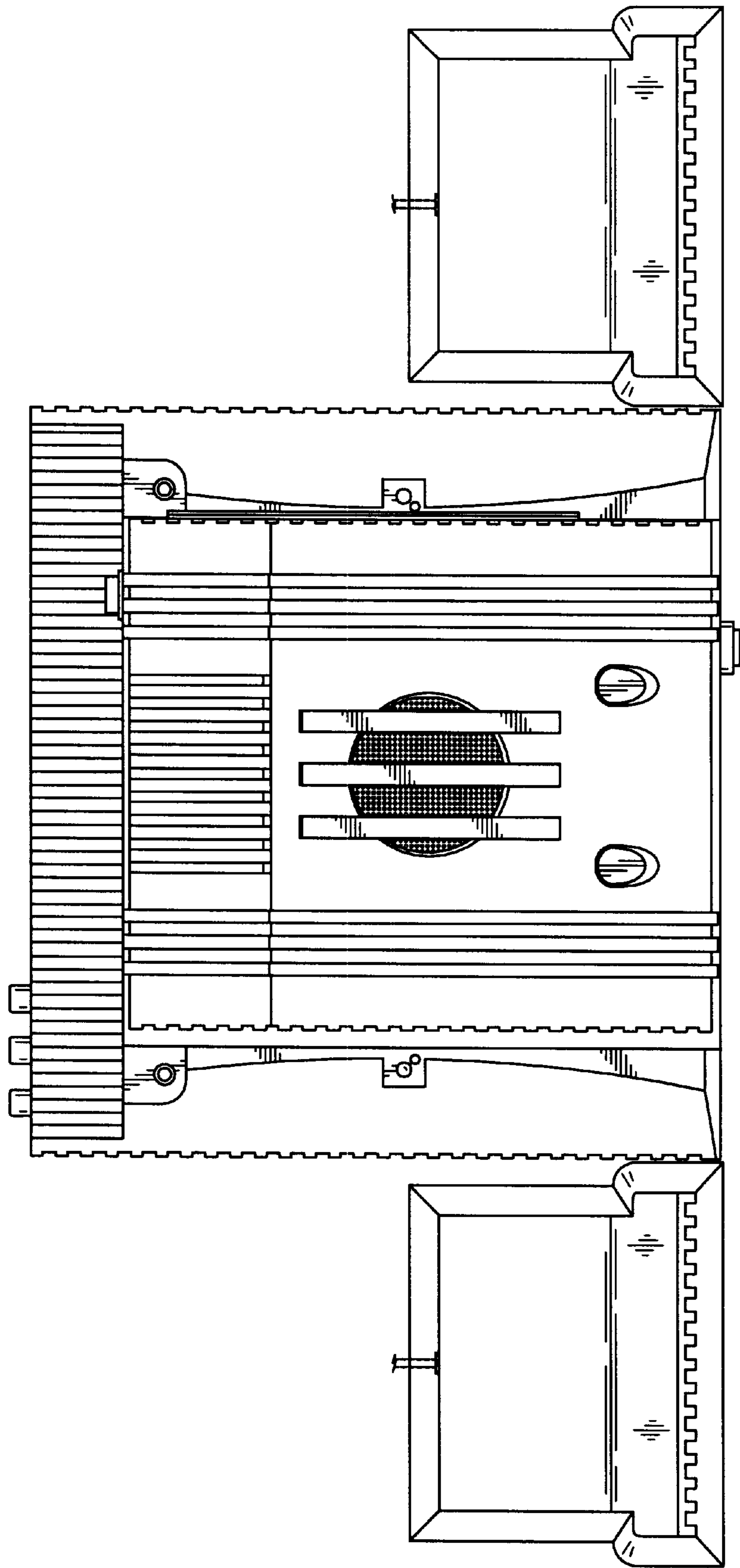


Fig. 8

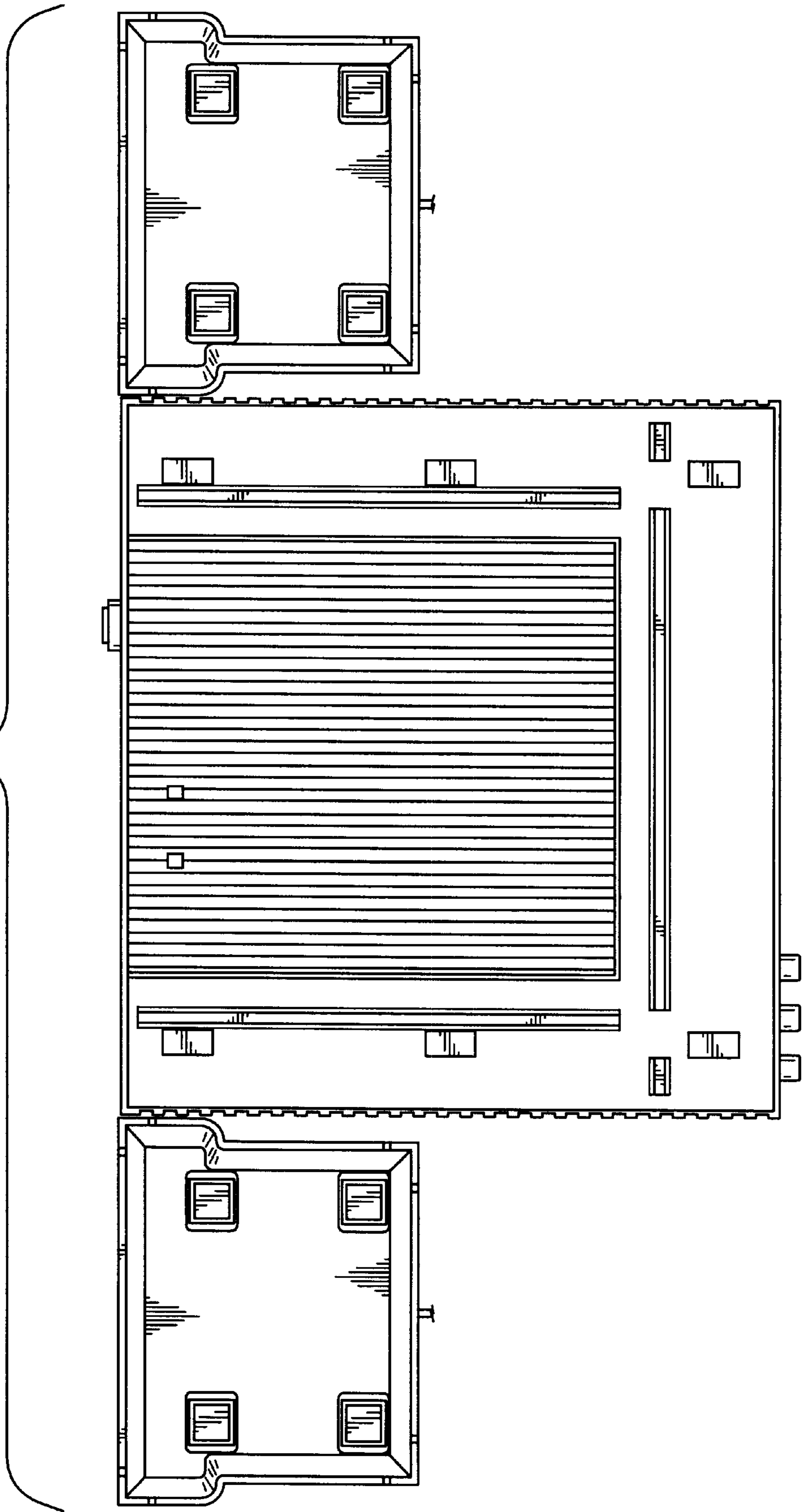
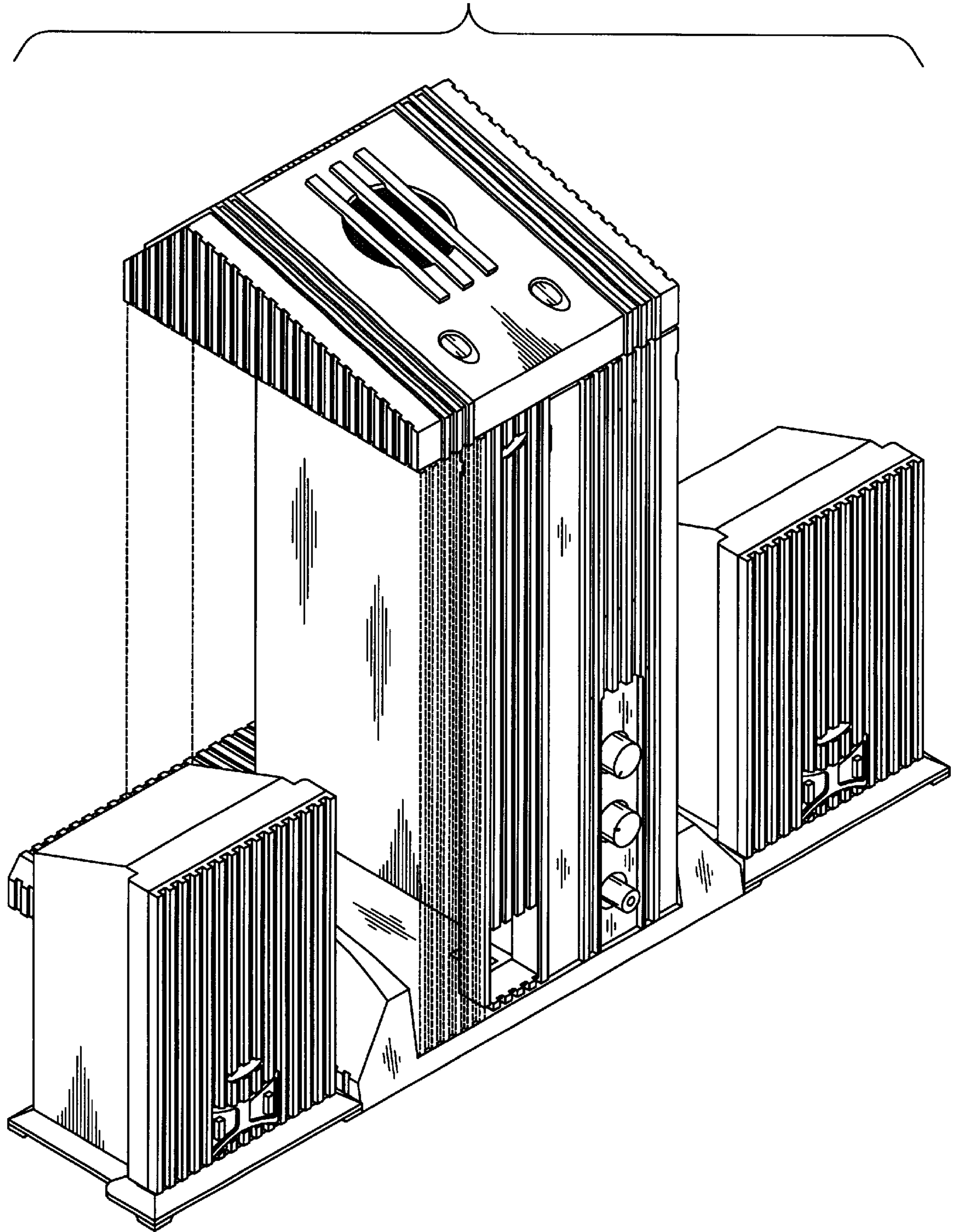


Fig. 9



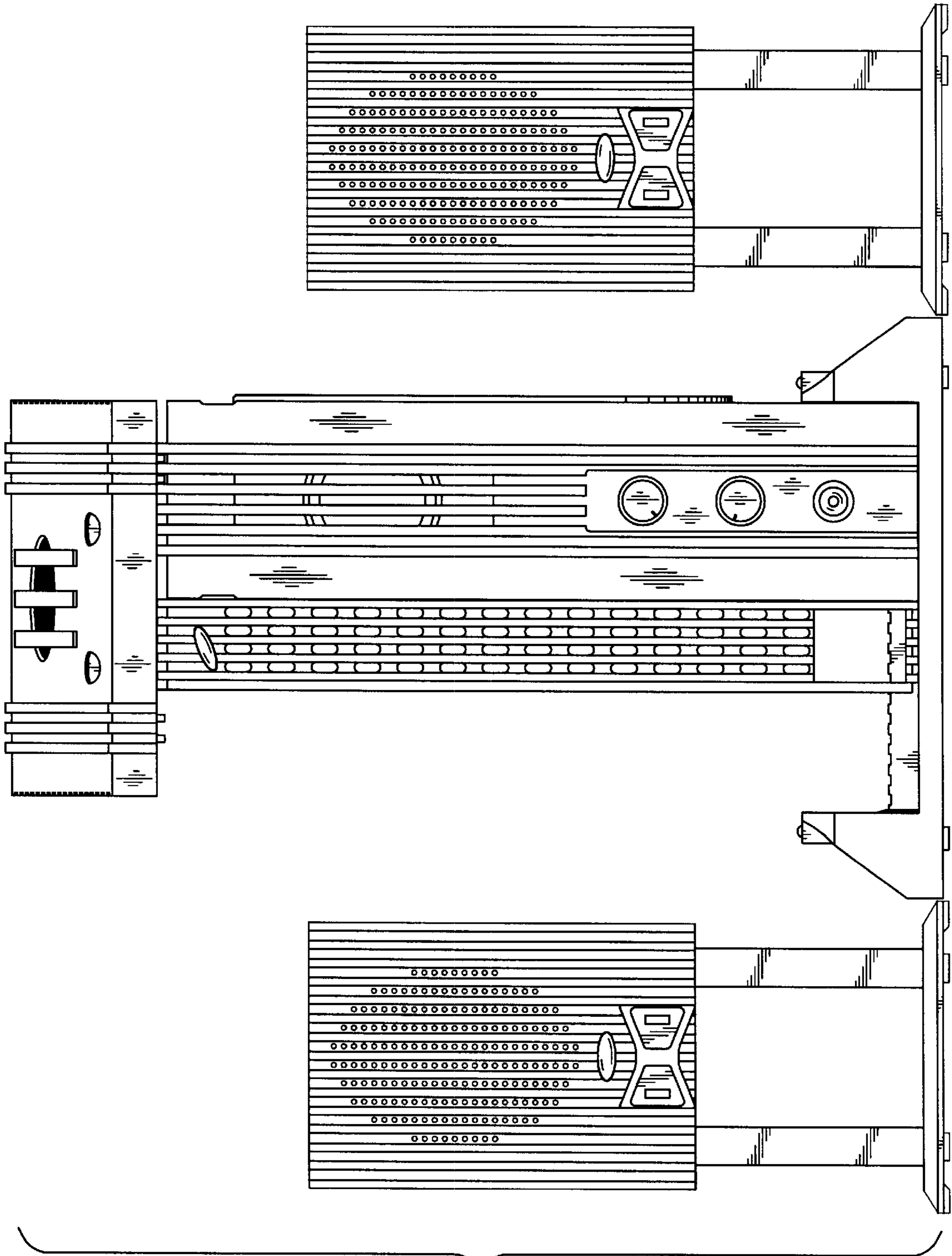


Fig. 10