



US00D477825S

(12) **United States Design Patent**
Nemoto et al.

(10) **Patent No.:** **US D477,825 S**

(45) **Date of Patent:** **** Jul. 29, 2003**

(54) **CONTROL PANEL OF A PORTABLE
ELECTRIC COMPUTER**

D380,212 S * 6/1997 Colby D14/443

FOREIGN PATENT DOCUMENTS

(75) Inventors: **Makoto Nemoto**, Tokyo (JP); **Atsuko Sugiura**, Tokyo (JP)

CA 2297975 * 12/1999

* cited by examiner

(73) Assignee: **NEC Corporation**, Tokyo (JP)

Primary Examiner—Freda Nunn

(**) Term: **14 Years**

(74) *Attorney, Agent, or Firm*—Sughrue Mion, PLLC

(21) Appl. No.: **29/158,571**

(57) **CLAIM**

(22) Filed: **Apr. 8, 2002**

The ornamental design for a control panel of a portable electric computer, as shown and described.

(30) **Foreign Application Priority Data**

DESCRIPTION

Oct. 9, 2001 (JP) 2001-029630

FIG. 1 is a perspective view of the top, front and right side of the control panel for a portable electric computer showing our new design;

(51) **LOC (7) Cl.** **14-02**

(52) **U.S. Cl.** **D14/443**

(58) **Field of Search** D14/441-446,
D14/450, 399; D13/162, 184, 199; 312/223.2,
223.3; 361/690-696, 680-686, 724

FIG. 2 is a front elevational view thereof;

FIG. 3 is a rear elevational view thereof;

FIG. 4 is a left side elevational view thereof;

FIG. 5 is a right side elevational view thereof;

FIG. 6 is a top plan view thereof; and,

FIG. 7 is a bottom plan view thereof.

(56) **References Cited**

U.S. PATENT DOCUMENTS

The portions of the portable electric computer shown in broken lines are not part of the claimed design.

D221,951 S * 9/1971 Kindley D14/399

D275,105 S * 8/1984 Kuschewski et al. D14/443

D290,707 S * 7/1987 Allen et al. D14/443

1 Claim, 4 Drawing Sheets

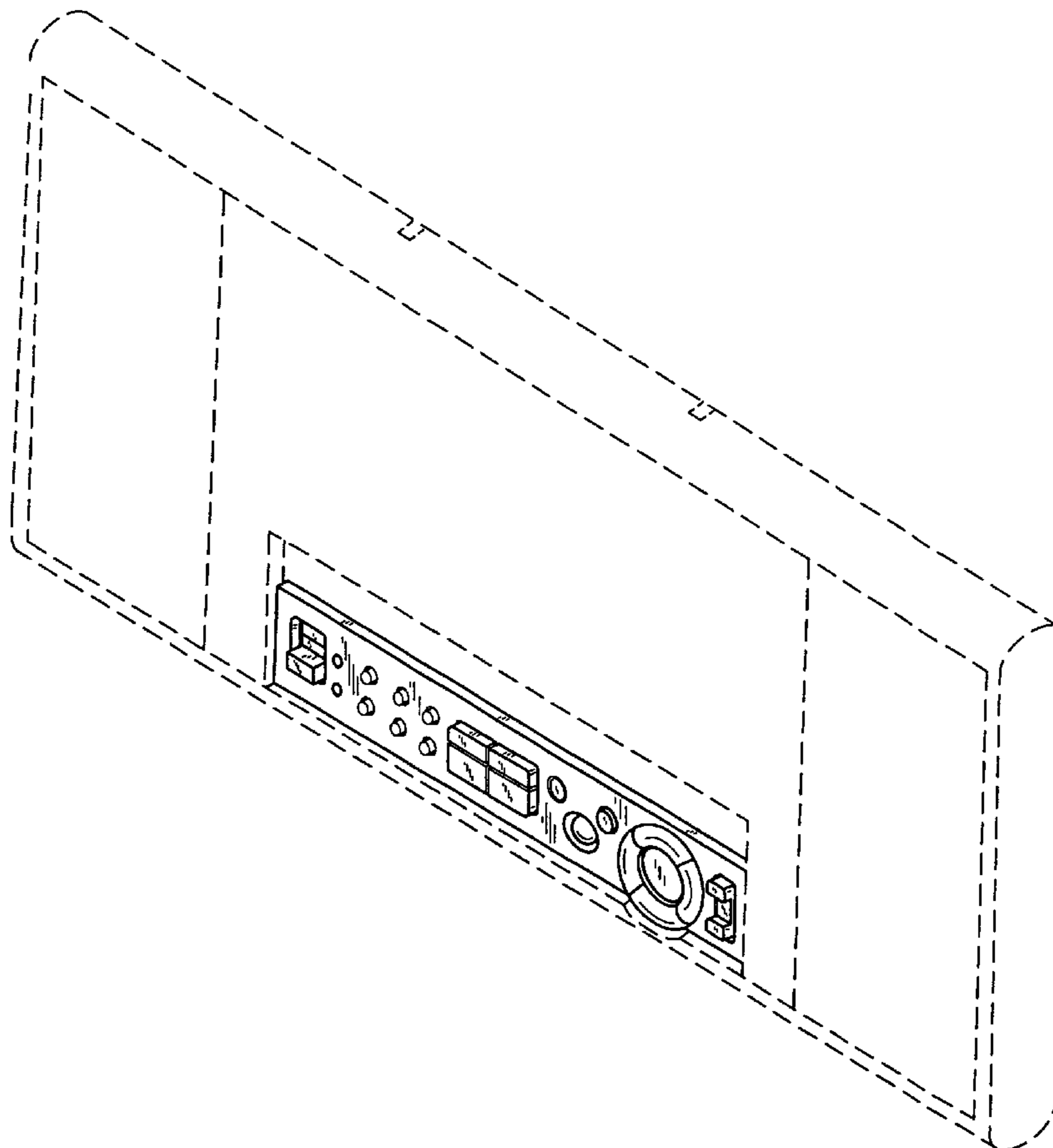


FIG. 1

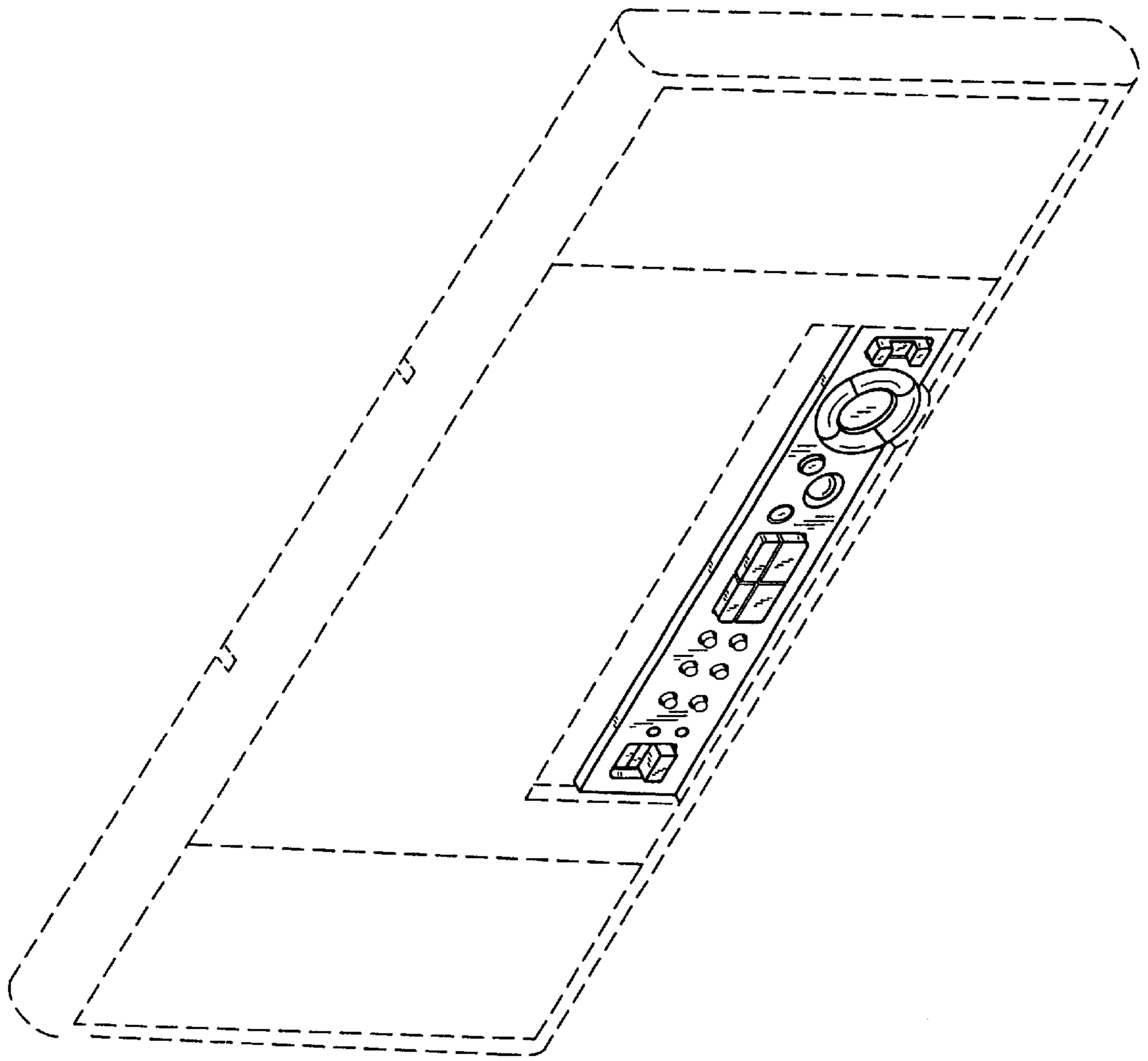


FIG. 2

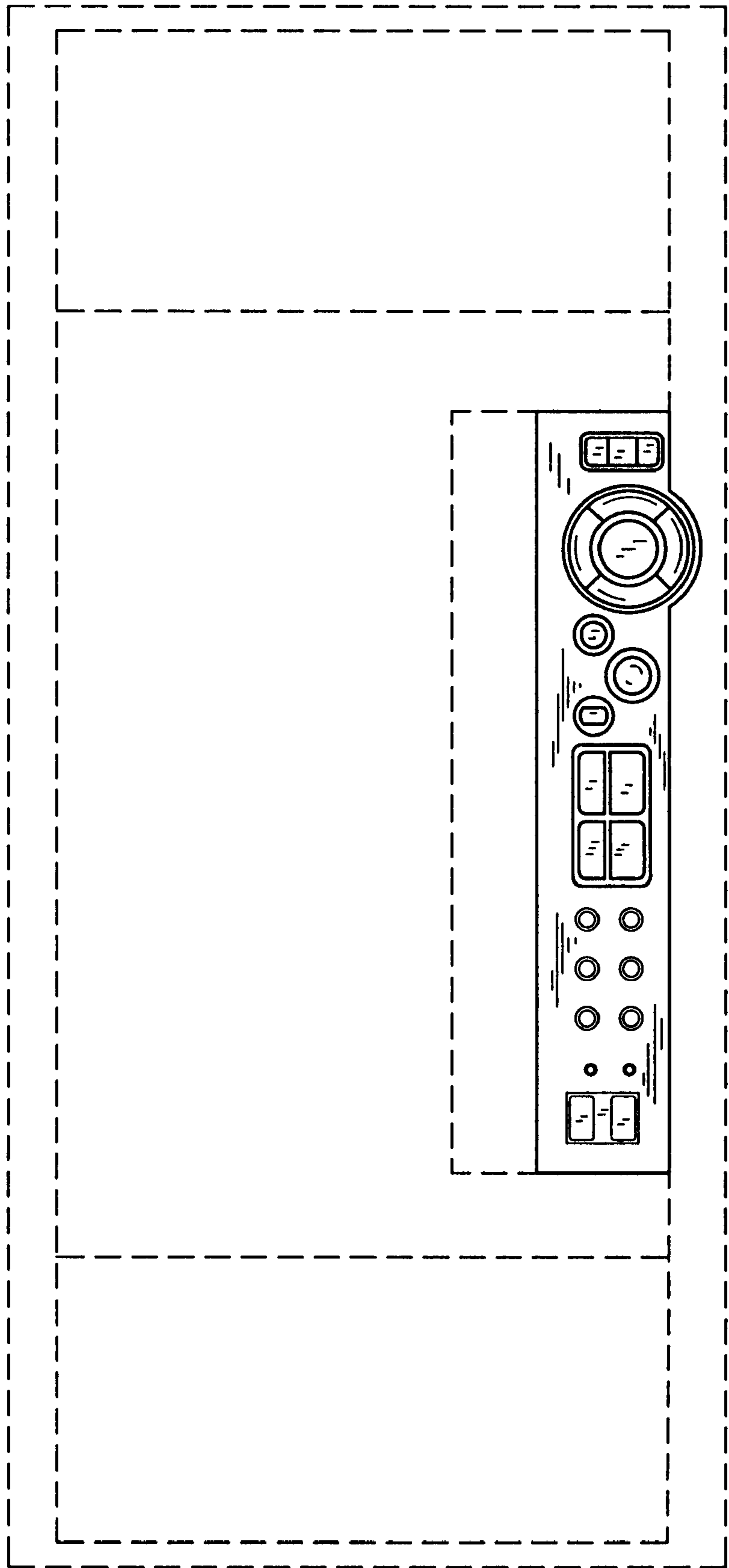


FIG. 3

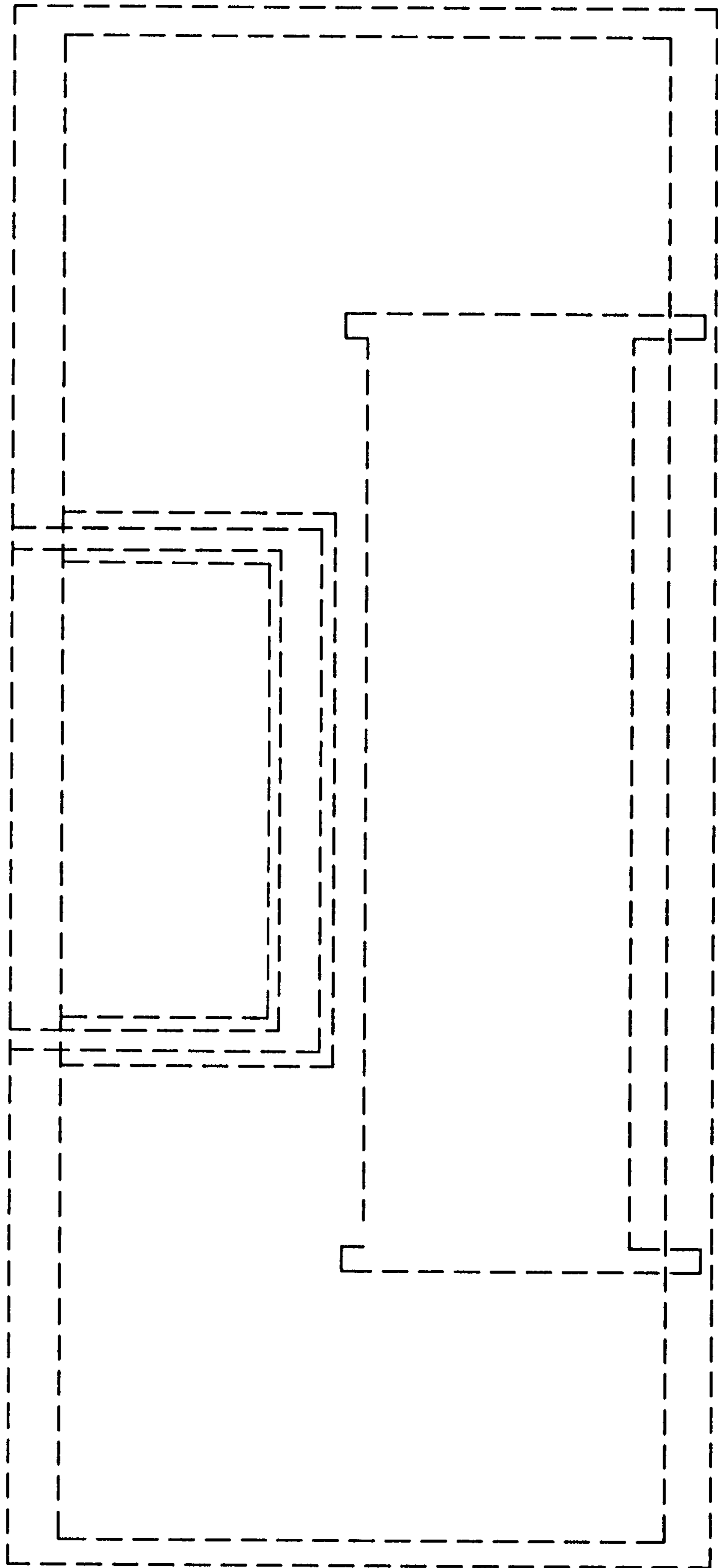


FIG. 4

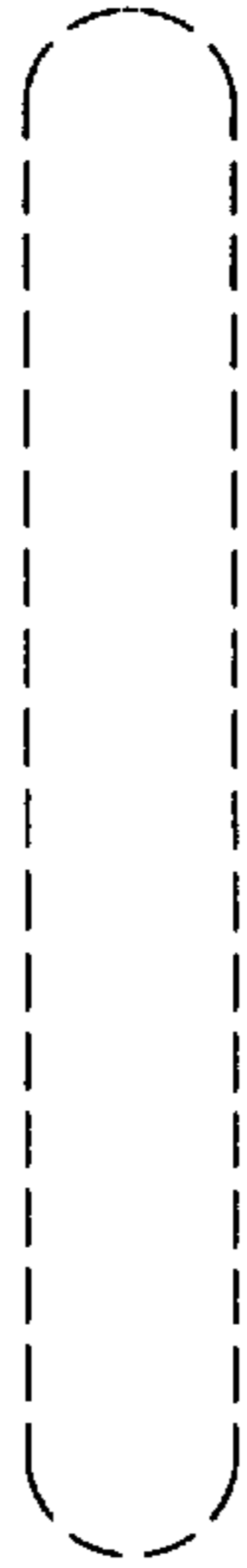


FIG. 5

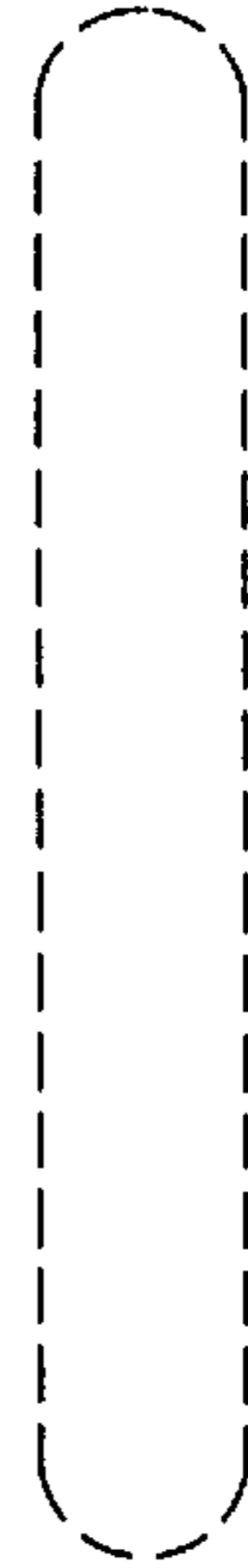


FIG. 6



FIG. 7

