



US00D477823S

(12) **United States Design Patent**
Lavello, Sr.

(10) **Patent No.:** **US D477,823 S**

(45) **Date of Patent:** **** Jul. 29, 2003**

- (54) **VOICE ACTIVATED CELLULAR TELEPHONE HOLDER**
- (76) Inventor: **Daniel Lavello, Sr.**, 21414 Seely Pl., Lakewood, CA (US) 90715
- (**) Term: **14 Years**
- (21) Appl. No.: **29/169,800**
- (22) Filed: **Oct. 25, 2002**
- (51) **LOC (7) Cl.** **14-03**
- (52) **U.S. Cl.** **D14/253; D14/149**
- (58) **Field of Search** D14/137, 434, D14/138, 447, 148, 147, 149-151, 140-142, 240, 241, 251-253, 451, 218; 379/426, 449, 419, 420.01-420.04, 428.01-428.04, 440, 454, 455, 446; 455/550-575, 90; D13/107, 108; 320/110-115; D3/218

D428,597 S	*	7/2000	Murata et al.	D13/108
D439,219 S	*	3/2001	Minagawa et al.	D13/108
6,198,947 B1		3/2001	Barber	455/563
D442,939 S	*	5/2001	Goldenburg	D14/191
6,226,532 B1		5/2001	Kim et al.	455/563
6,307,348 B1	*	10/2001	Green	320/111
D451,498 S	*	12/2001	Rossel	D14/218
6,329,787 B1	*	12/2001	Ito et al.	320/114
D454,332 S	*	3/2002	Yokoyama	D13/108
D463,361 S	*	9/2002	Ruohonen	D13/108
6,509,716 B2	*	1/2003	Yi	320/115

FOREIGN PATENT DOCUMENTS

DE	4332736	*	3/1995	H02B/1/04
JP	2000216859	*	8/2000		

* cited by examiner

Primary Examiner—Jeffrey Asch
(74) *Attorney, Agent, or Firm*—Goldstein & Lavas, P.C.

(57) **CLAIM**

The ornamental design for a voice activated cellular telephone holder, as shown and described.

DESCRIPTION

FIG. 1 is a perspective view of the voice activated cellular telephone holder in full lines with a charging plug shown in broken lines representing environmental association matter being for illustrative purposes only and forming no part of the claimed invention.

FIG. 2 is a front elevational view of the voice activated cellular telephone holder.

FIG. 3 is a rear elevational view thereof with broken lines as described in FIG. 1.

FIG. 4 is right side elevational view thereof with broken lines as described in FIG. 1.

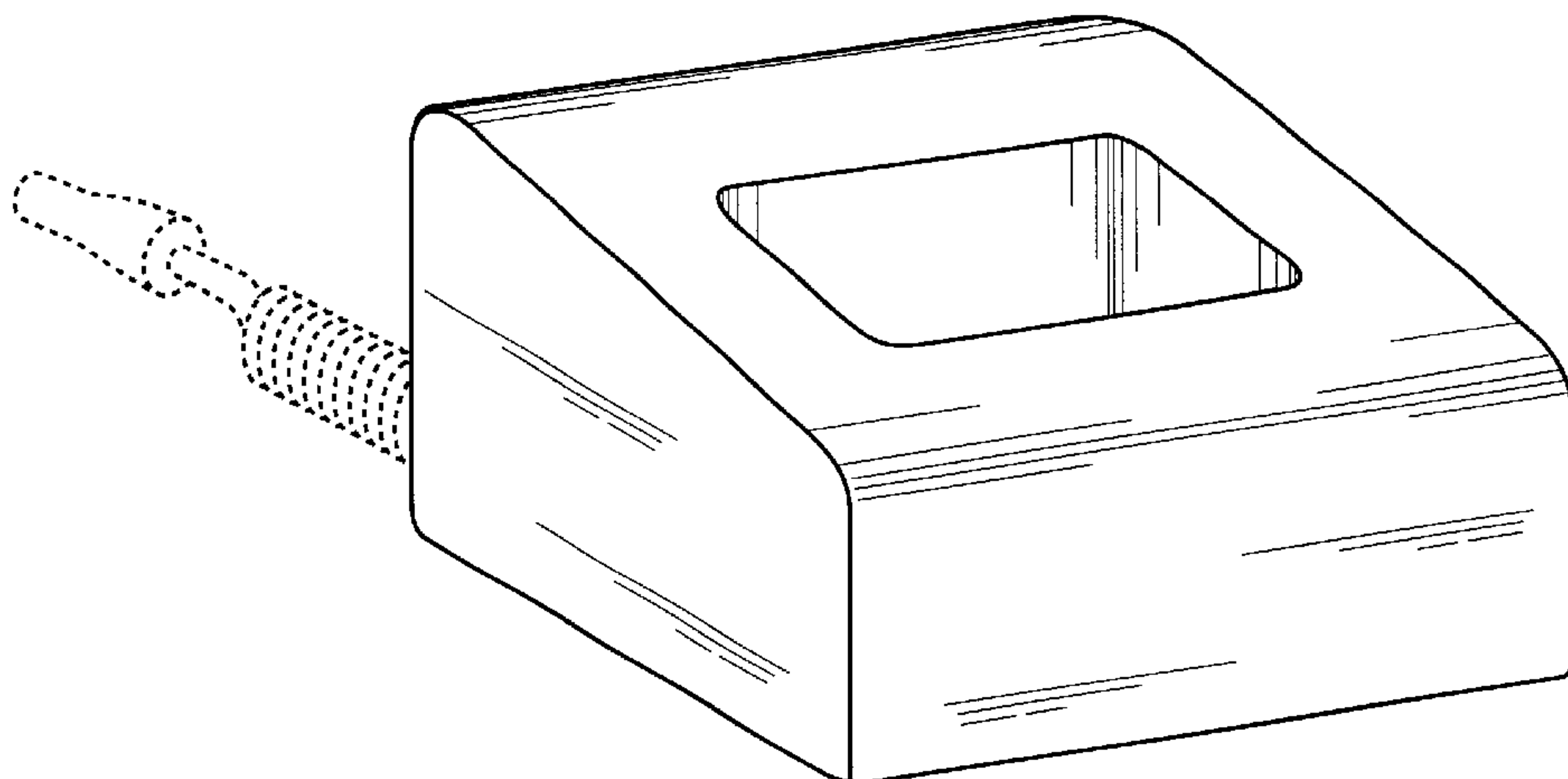
FIG. 5 is a left side elevational view thereof with broken lines as described in FIG. 1.

FIG. 6 is a top plan view of the voice activated cellular telephone holder with broken lines as described in FIG. 1; and,

FIG. 7 is a bottom plan view thereof with broken lines as described in FIG. 1.

1 Claim, 4 Drawing Sheets

- (56) **References Cited**
- U.S. PATENT DOCUMENTS**
- 3,644,873 A * 2/1972 Dalton et al. 439/299
- D274,903 S * 7/1984 Eckmann et al. D13/107
- D275,482 S * 9/1984 Coons et al. D14/253
- 4,741,034 A * 4/1988 Errichiello et al. 379/455
- D327,060 S * 6/1992 Wachob et al. D14/138
- D328,277 S * 7/1992 Lemman et al. D13/108
- D328,889 S * 8/1992 Seki D13/108
- 5,222,121 A 6/1993 Shimada 379/88
- D345,728 S * 4/1994 Tyneski et al. D13/108
- D349,097 S * 7/1994 Watanabe D13/108
- D350,540 S * 9/1994 Hyvonen D14/149
- D368,892 S * 4/1996 Tanaka D13/108
- 5,525,888 A * 6/1996 Toya 320/111
- 5,600,225 A * 2/1997 Goto 320/108
- D385,252 S * 10/1997 Snyder et al. D13/108
- 5,686,810 A * 11/1997 Yasui 320/113
- D388,764 S * 1/1998 Bartling et al. D13/107
- D395,280 S * 6/1998 Phelps D13/108
- D397,996 S * 9/1998 Smith D13/168
- 5,907,197 A * 5/1999 Faulk 307/119
- D411,166 S * 6/1999 Uemura et al. D13/107
- 5,952,814 A * 9/1999 Lerberghe 320/108
- D417,431 S * 12/1999 Okura et al. D13/108
- D422,556 S * 4/2000 Okura et al. D13/107



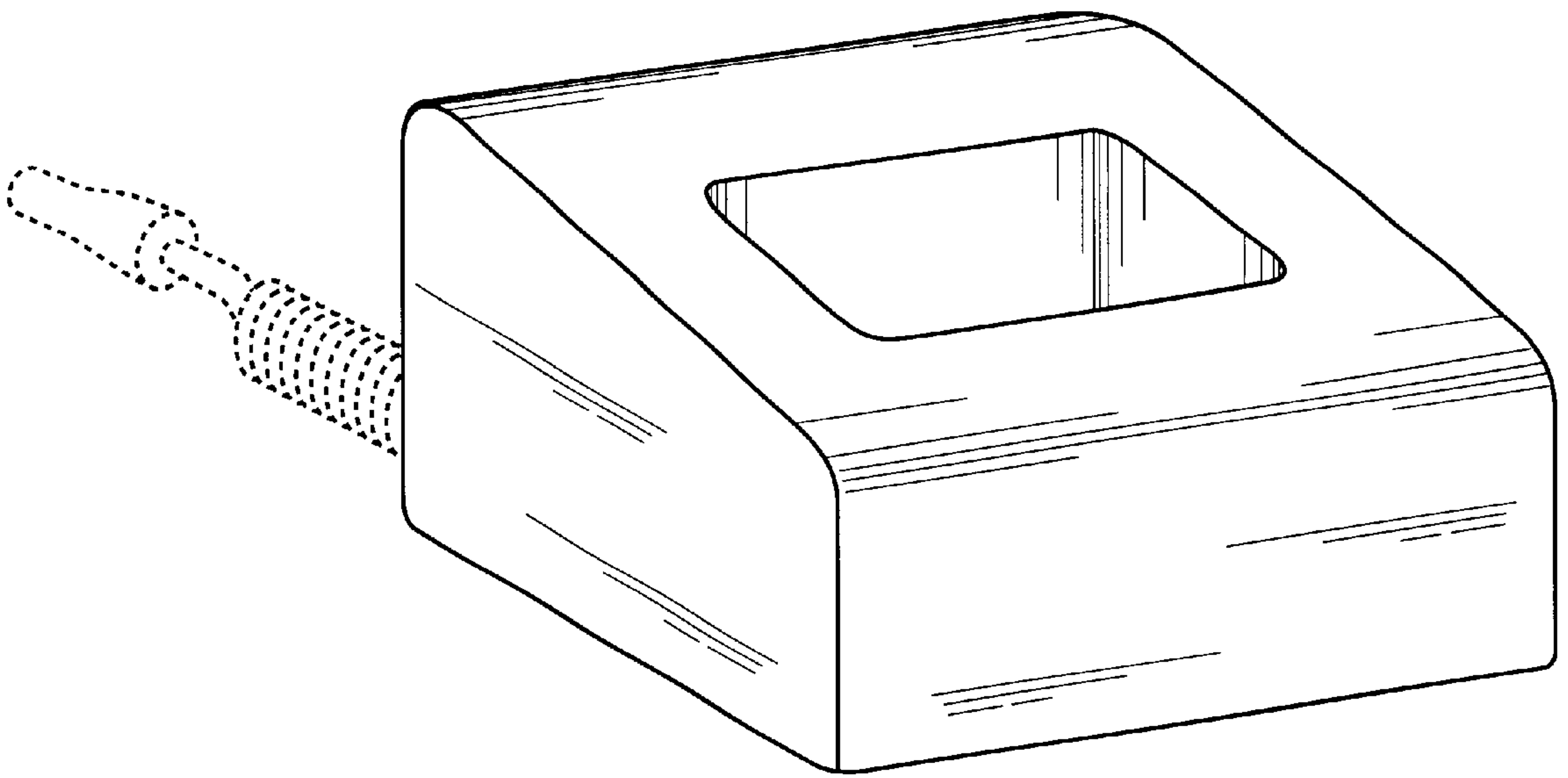


FIG. 1

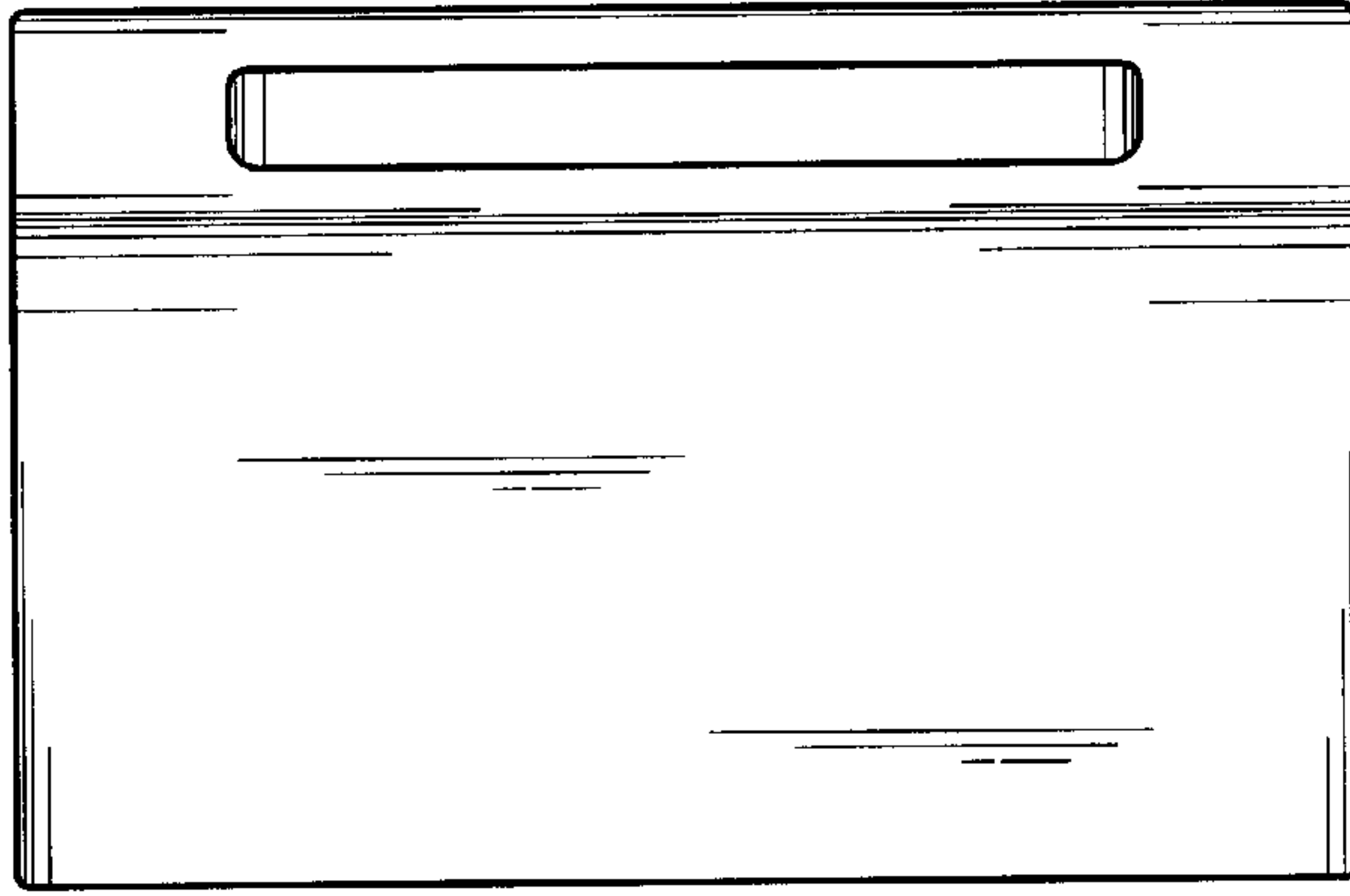


FIG. 2

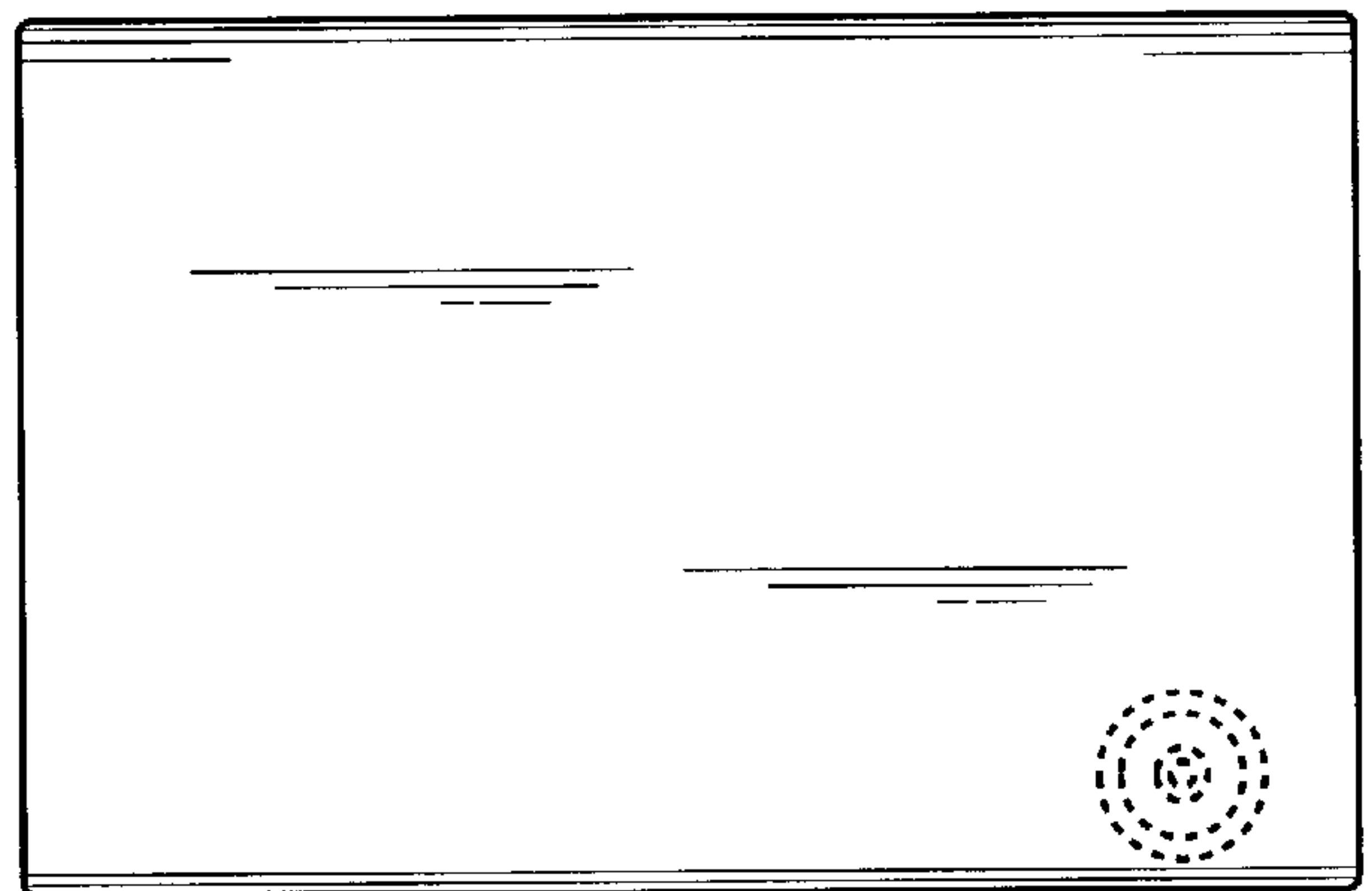


FIG. 3

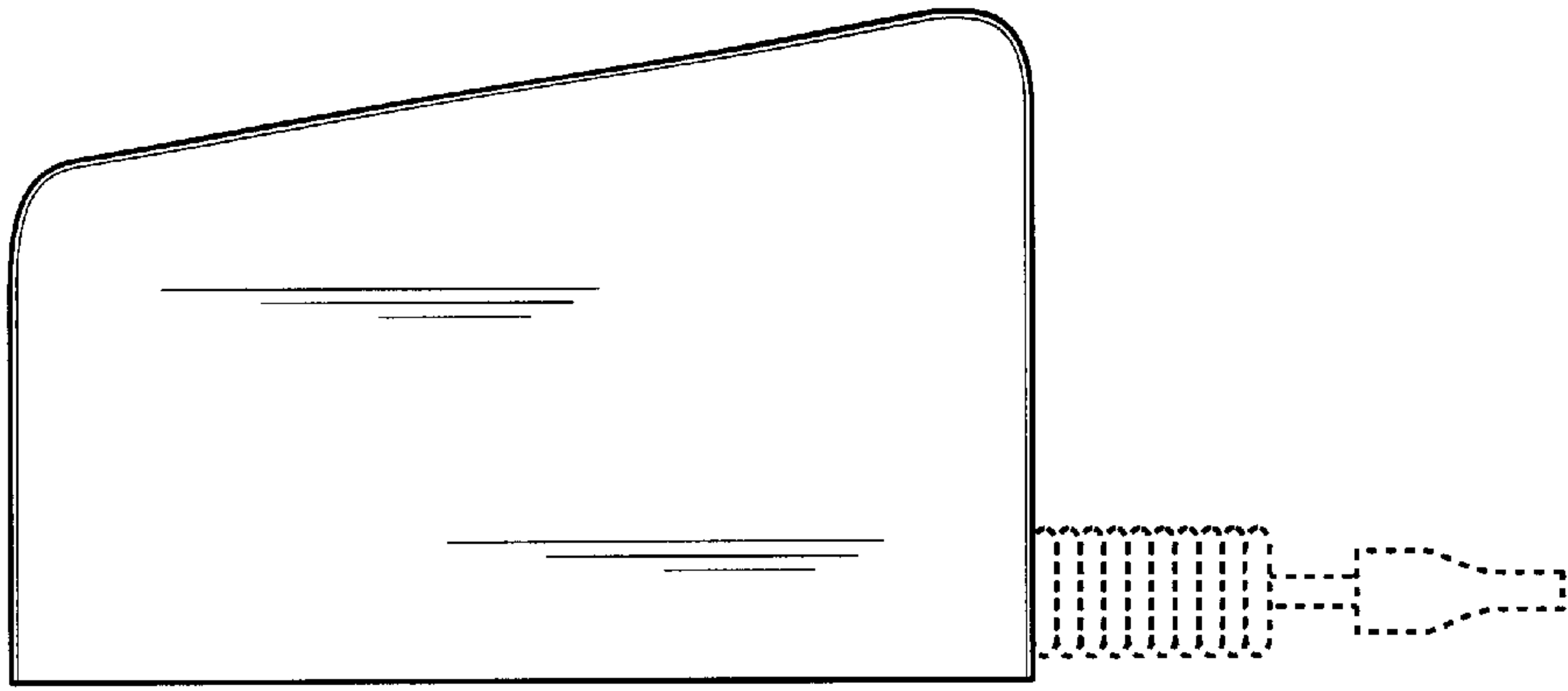


FIG. 4

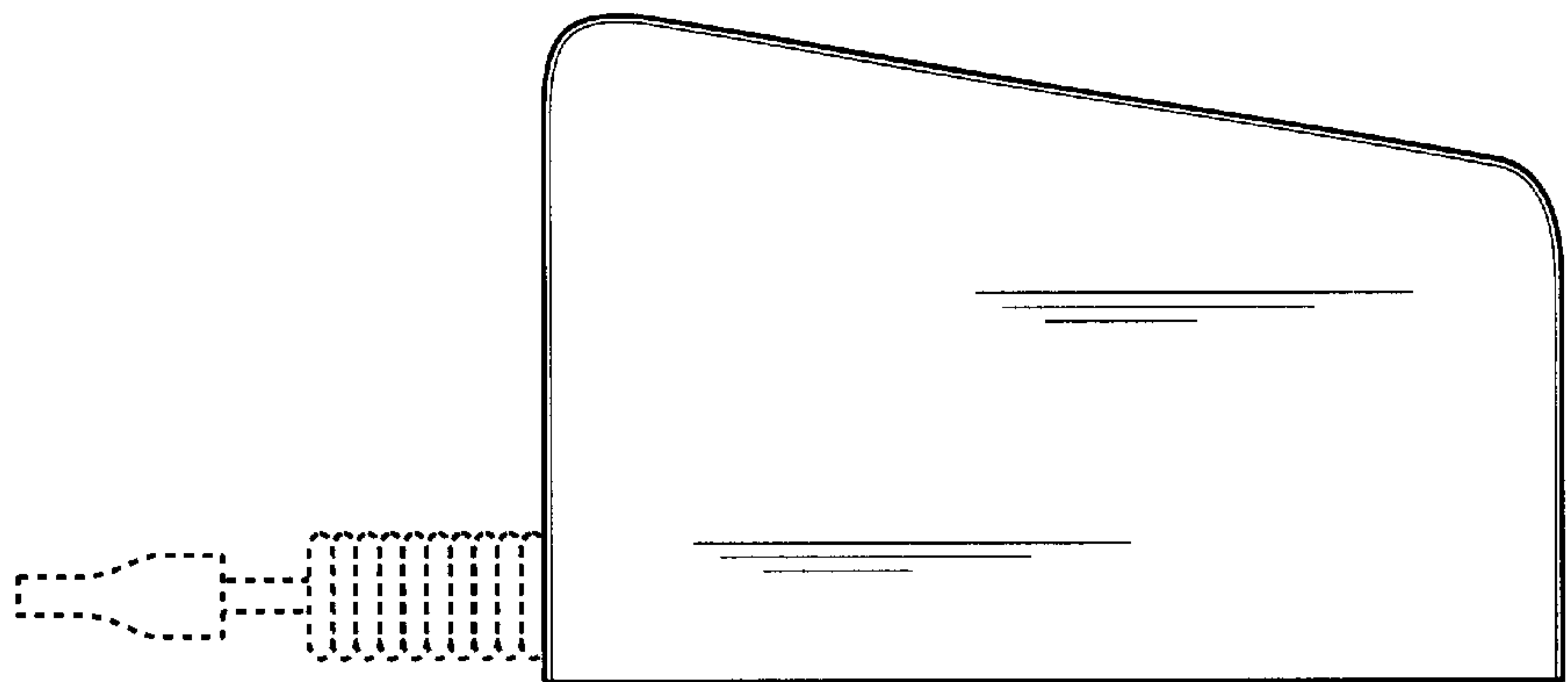


FIG. 5

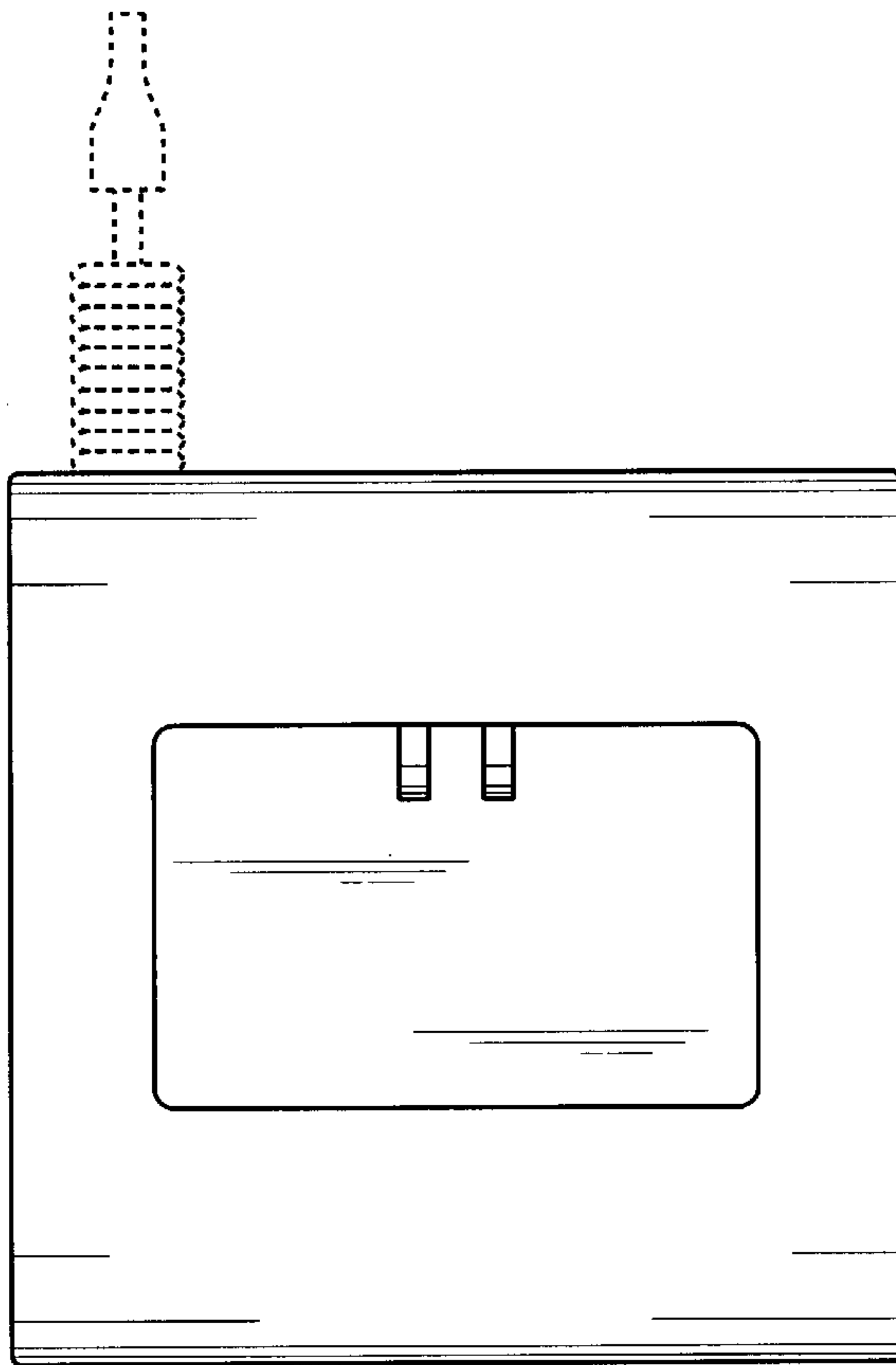


FIG. 6

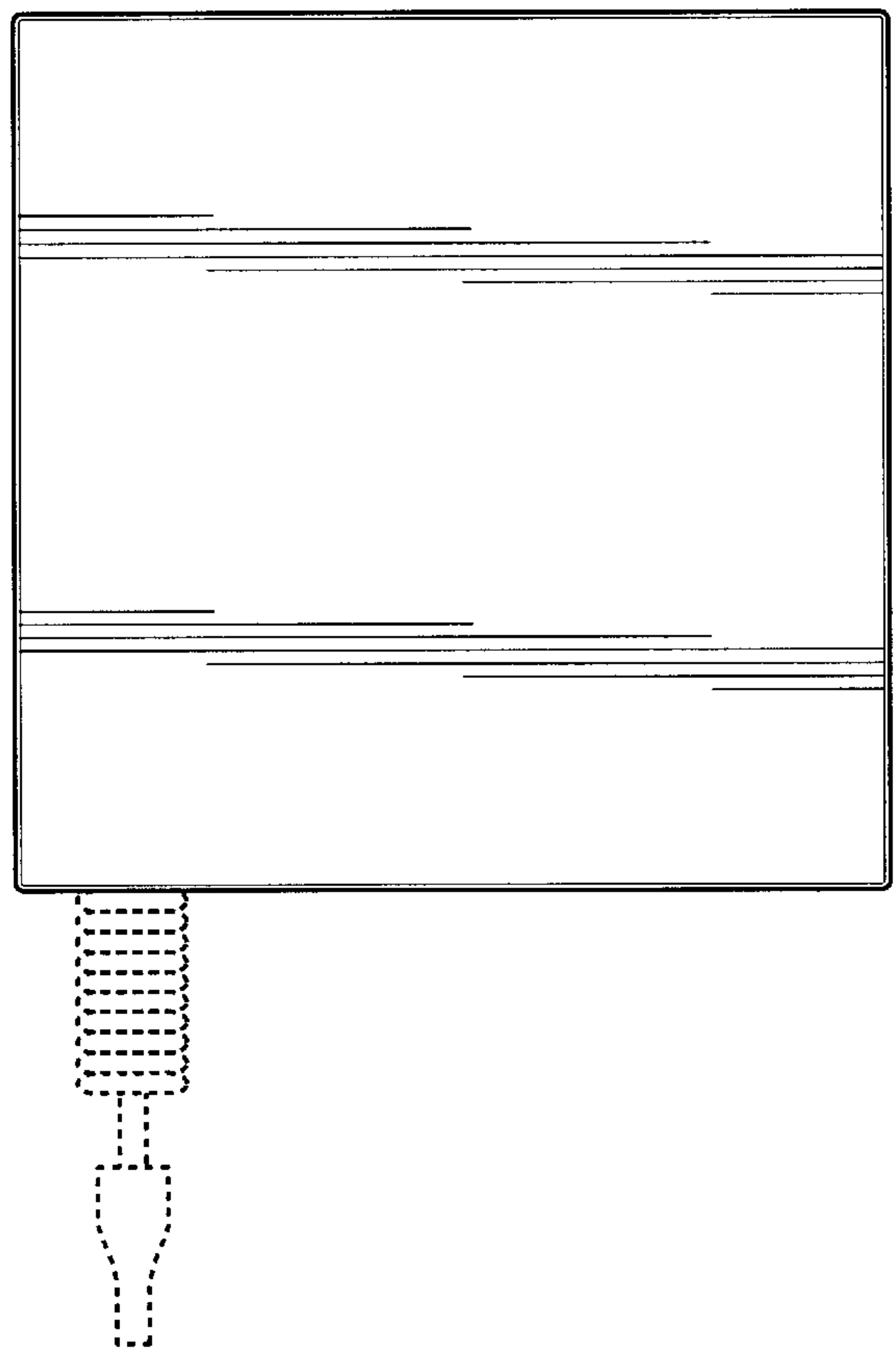


FIG. 7