



US00D477821S

(12) **United States Design Patent**
Bieltvedt et al.

(10) **Patent No.:** **US D477,821 S**

(45) **Date of Patent:** **** Jul. 29, 2003**

(54) **COMBINED EAR PIECE AND MICROPHONE WITH ON AND OFF SWITCH**

(75) Inventors: **Oli Anton Bieltvedt**, Discovery Bay (HK); **Sebastian Stroschein**, Berlin (DE)

(73) Assignee: **Strax, Inc.**, Miami, FL (US)

(**) Term: **14 Years**

(21) Appl. No.: **29/149,170**

(22) Filed: **Oct. 4, 2001**

(51) **LOC (7) Cl.** **14-01**

(52) **U.S. Cl.** **D14/206; D14/223**

(58) **Field of Search** D14/142, 205, D14/206, 223; D24/174; 379/430, 433; 381/380, 381, 183, 187; 181/129, 130, 135, 137

(56) **References Cited**

U.S. PATENT DOCUMENTS

- 5,212,811 A 5/1993 Kuge et al.
- D357,921 S * 5/1995 Ming-Chin D14/223
- 5,557,653 A 9/1996 Paterson et al.
- D375,500 S * 11/1996 Bungardt et al. D14/223
- 5,596,638 A 1/1997 Paterson et al.

- 5,721,775 A 2/1998 Leifer
- D396,715 S * 8/1998 Konomi D14/142
- 5,793,865 A 8/1998 Leifer
- 5,794,163 A 8/1998 Paterson et al.
- D430,146 S * 8/2000 Lin D14/223
- D430,860 S * 9/2000 Yoon D14/142
- D431,030 S * 9/2000 Yoon D14/142

* cited by examiner

Primary Examiner—Paula A. Mortimer
(74) *Attorney, Agent, or Firm*—Malloy & Malloy, P.A.

(57) **CLAIM**

The ornamental design for a combined ear piece and microphone with on and off switch, as shown and described.

DESCRIPTION

FIG. 1 is a front perspective view of a combined ear piece and microphone with an on and off switch showing my new design, the cord is drawn broken away for purposes of illustration;

FIG. 2 is a rear view of my design;

FIG. 3 is a right side view of my design;

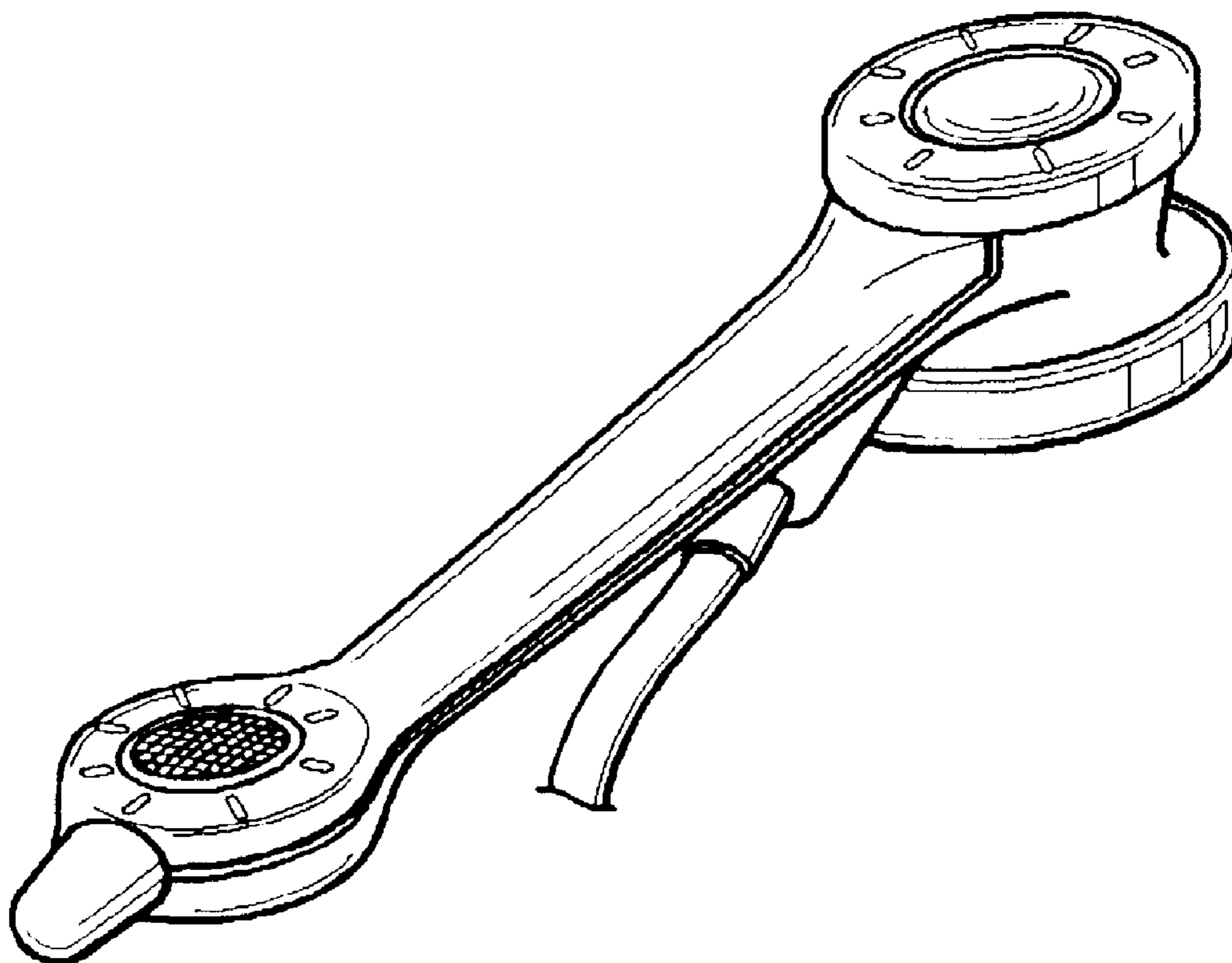
FIG. 4 is a top view of my design;

FIG. 5 is a left side view of my design;

FIG. 6 is a bottom view of my design; and,

FIG. 7 is a front view of my design.

1 Claim, 2 Drawing Sheets



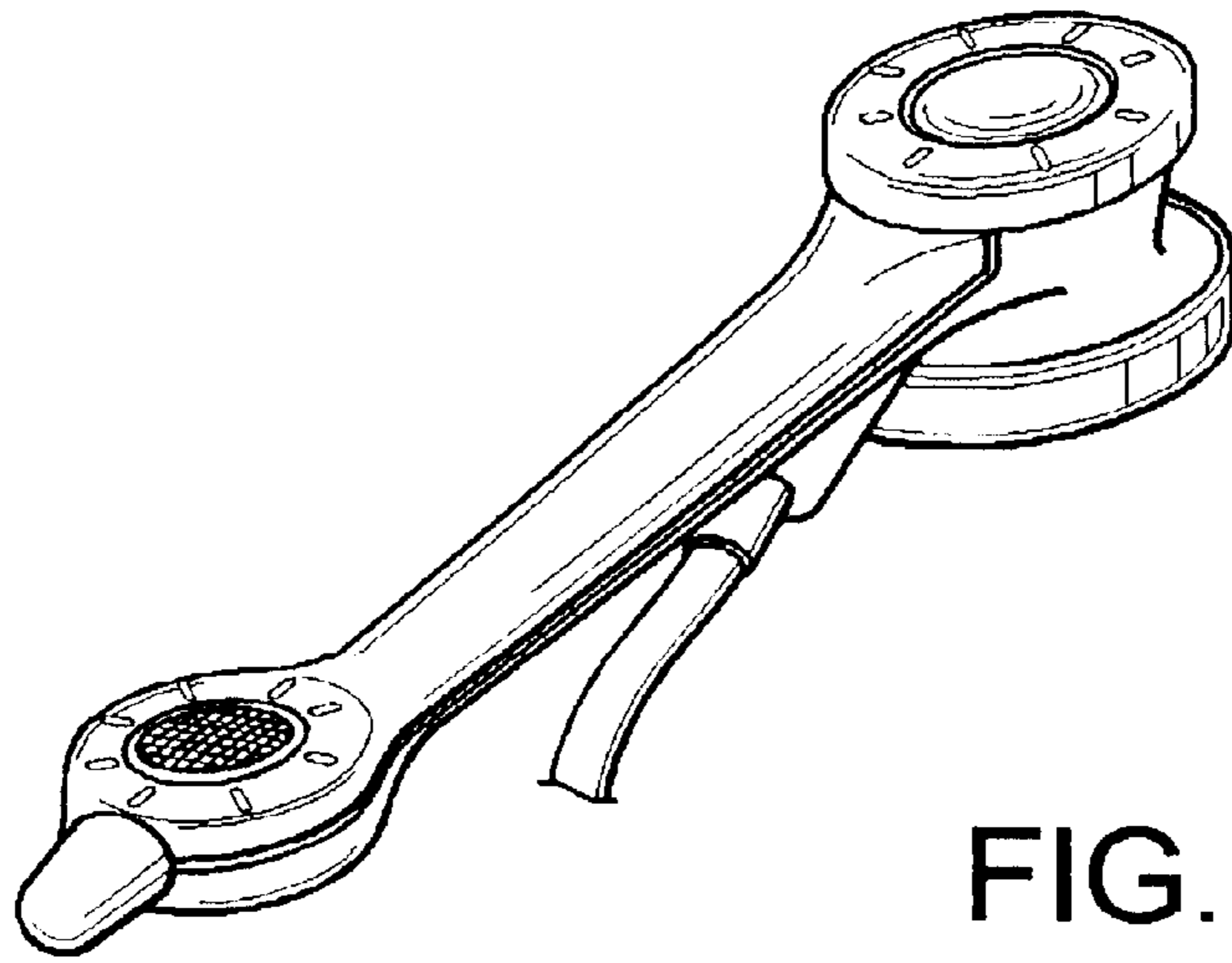


FIG. 1

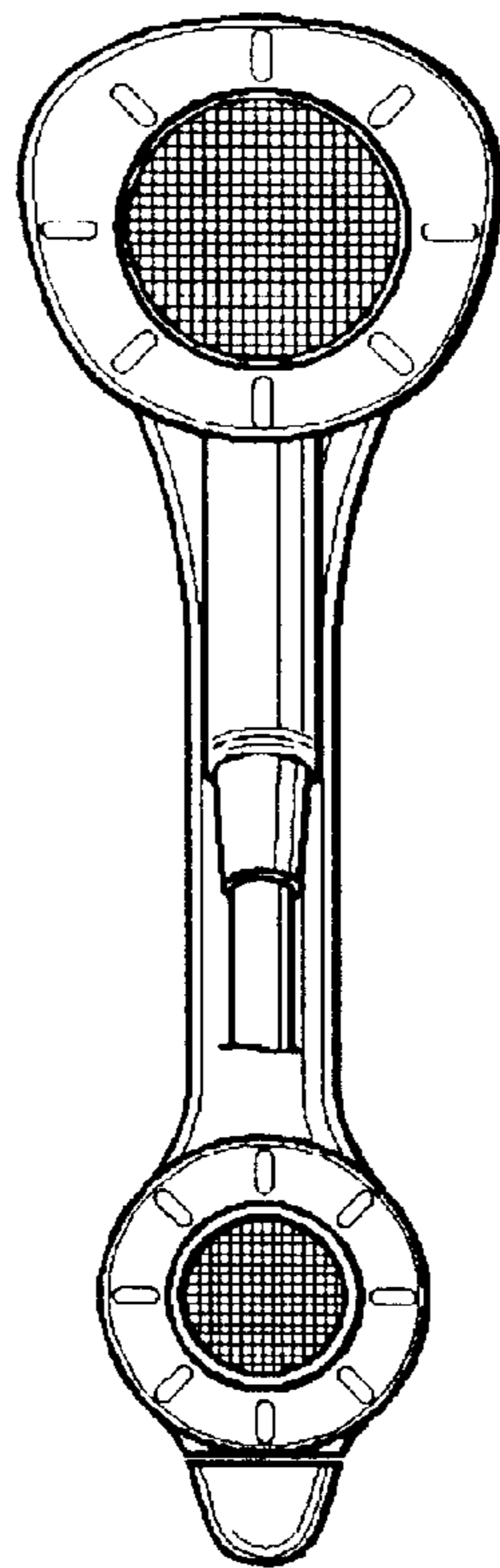


FIG. 7

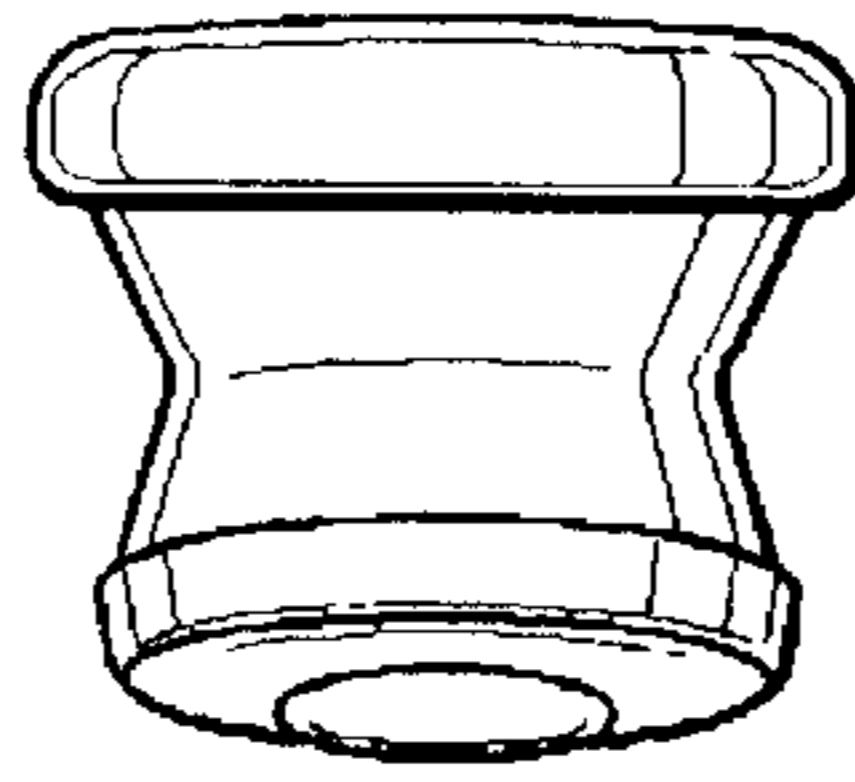


FIG. 4

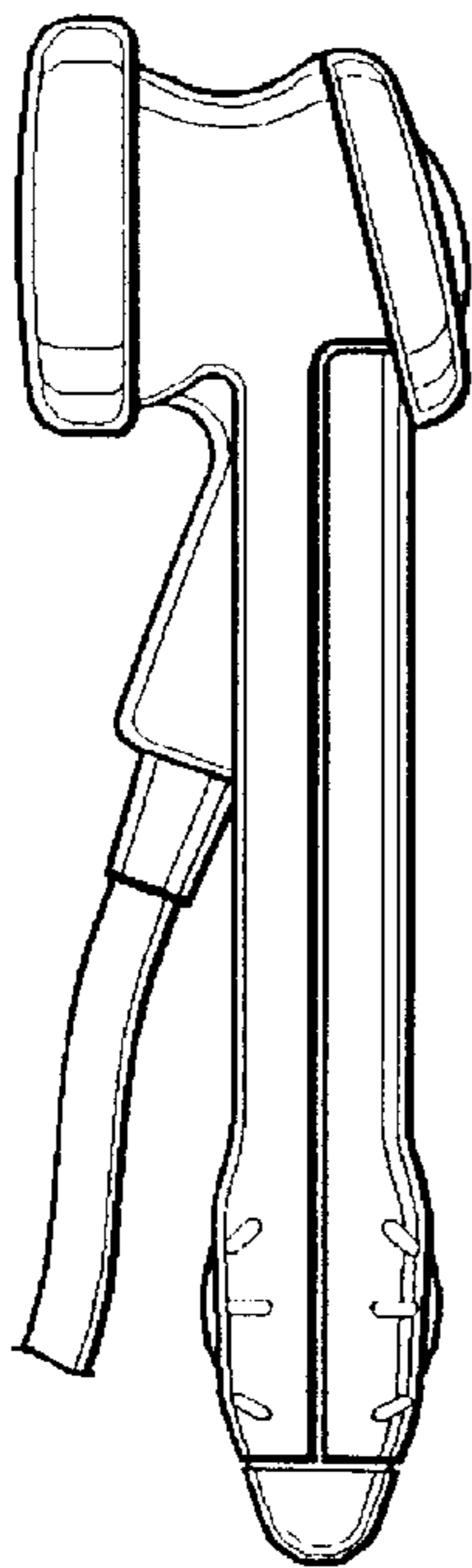


FIG. 3

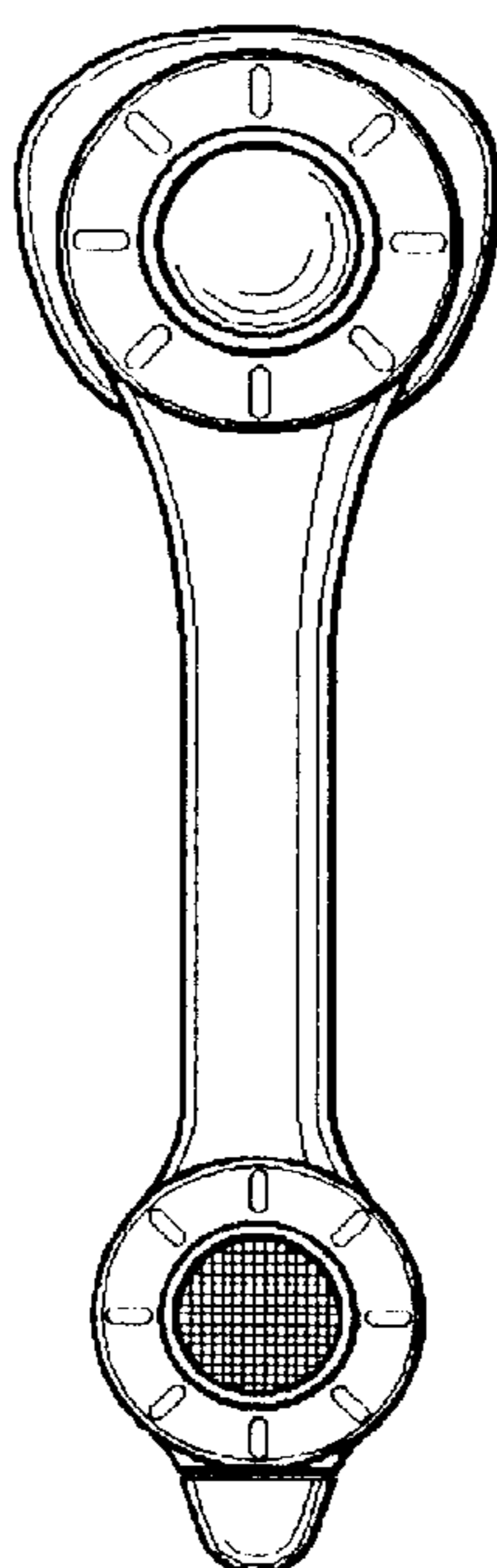


FIG. 2

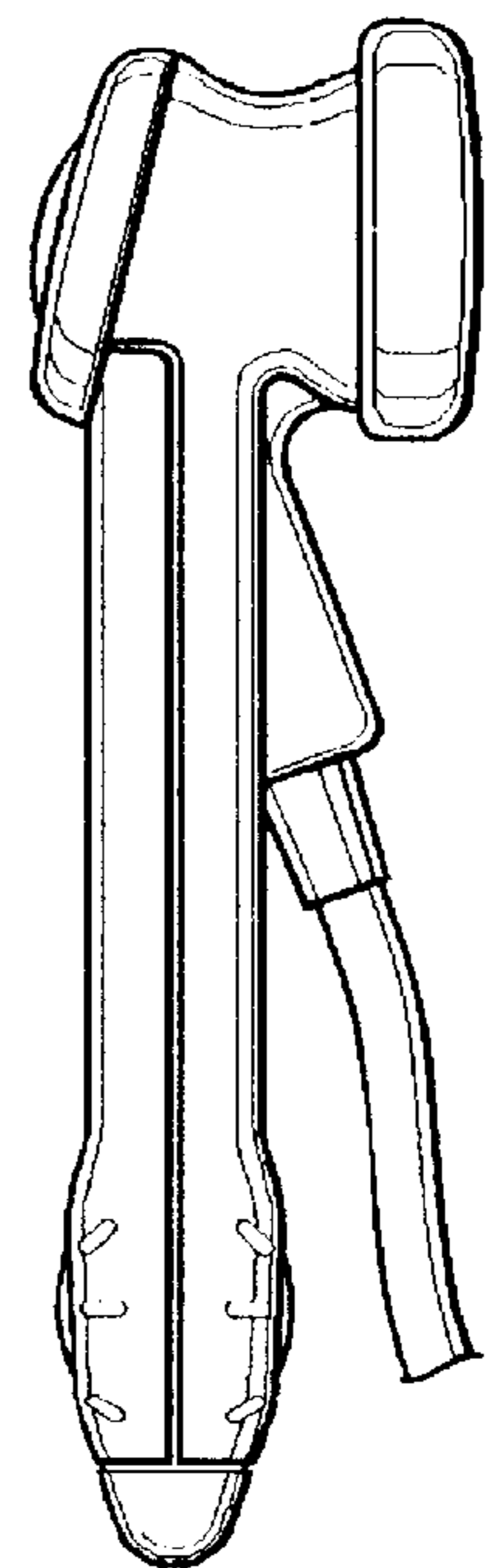


FIG. 5

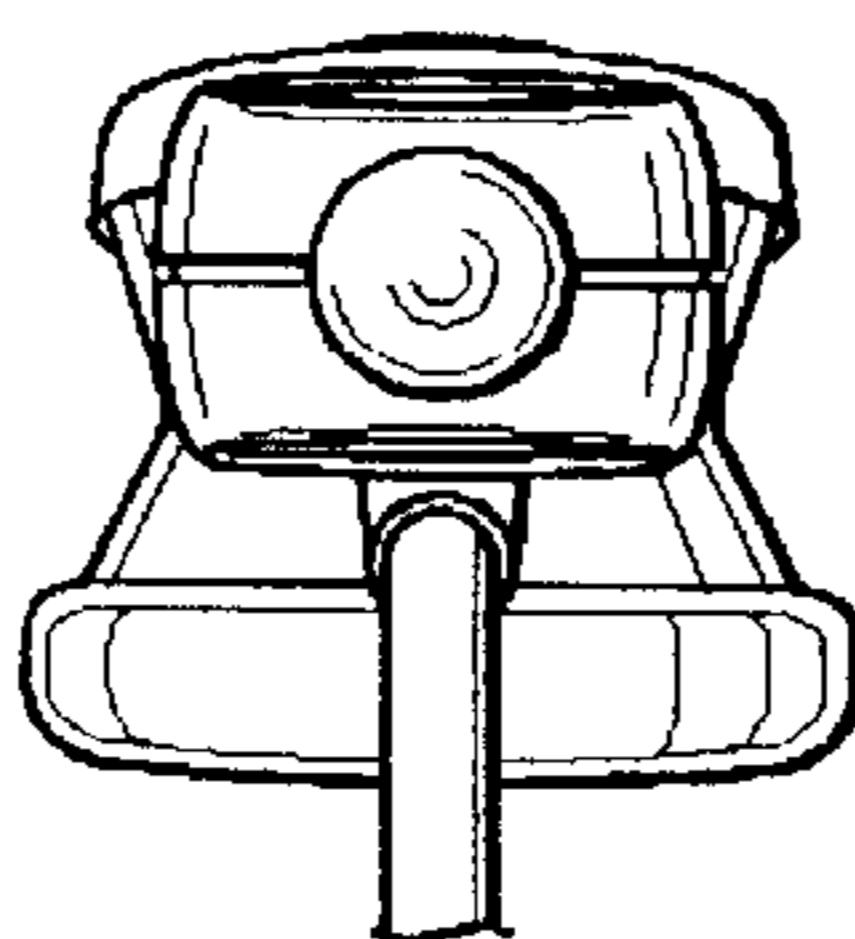


FIG. 6