



US00D477819S

(12) **United States Design Patent**  
**Zeitman**

(10) **Patent No.:** **US D477,819 S**

(45) **Date of Patent:** **\*\* Jul. 29, 2003**

(54) **COMBINED RADIO, CASSETTE AND CD  
PLAYER**

D425,062 S \* 5/2000 Kokkinis ..... D14/168  
D440,550 S \* 4/2001 Nakano ..... D14/168  
D452,963 S \* 1/2002 Suzuki ..... D14/168

(75) Inventor: **Josh Zeitman**, Brooklyn, NY (US)

\* cited by examiner

(73) Assignee: **Lenox Electronics Corp.**, Brooklyn,  
NY (US)

*Primary Examiner*—Nanda Bondade  
(74) *Attorney, Agent, or Firm*—Burns, Doane, Swecker &  
Mathis, L.L.P.

(\*\*) Term: **14 Years**

(21) Appl. No.: **29/152,245**

(22) Filed: **Dec. 19, 2001**

(51) **LOC (7) Cl.** ..... **14-01**

(52) **U.S. Cl.** ..... **D14/168**

(58) **Field of Search** ..... D14/135-136,  
D14/156-157, 167-168, 188, 193-198,  
257-258; 369/75.1, 75.2, 77.1, 77.2; 455/344,  
347, 350-351

(57) **CLAIM**

The ornamental design for a “combined radio, cassette and CD player”, as shown and described.

**DESCRIPTION**

FIG. 1 is a front view of a “combined radio, cassette and CD player” showing my design;  
FIG. 2 is a rear view thereof;  
FIG. 3 is a left side view thereof;  
FIG. 4 is a right side view thereof;  
FIG. 5 is a top plan view thereof; and,  
FIG. 6 is a bottom view thereof.

(56) **References Cited**

**U.S. PATENT DOCUMENTS**

D406,843 S \* 3/1999 Zeitman ..... D14/162

**1 Claim, 4 Drawing Sheets**

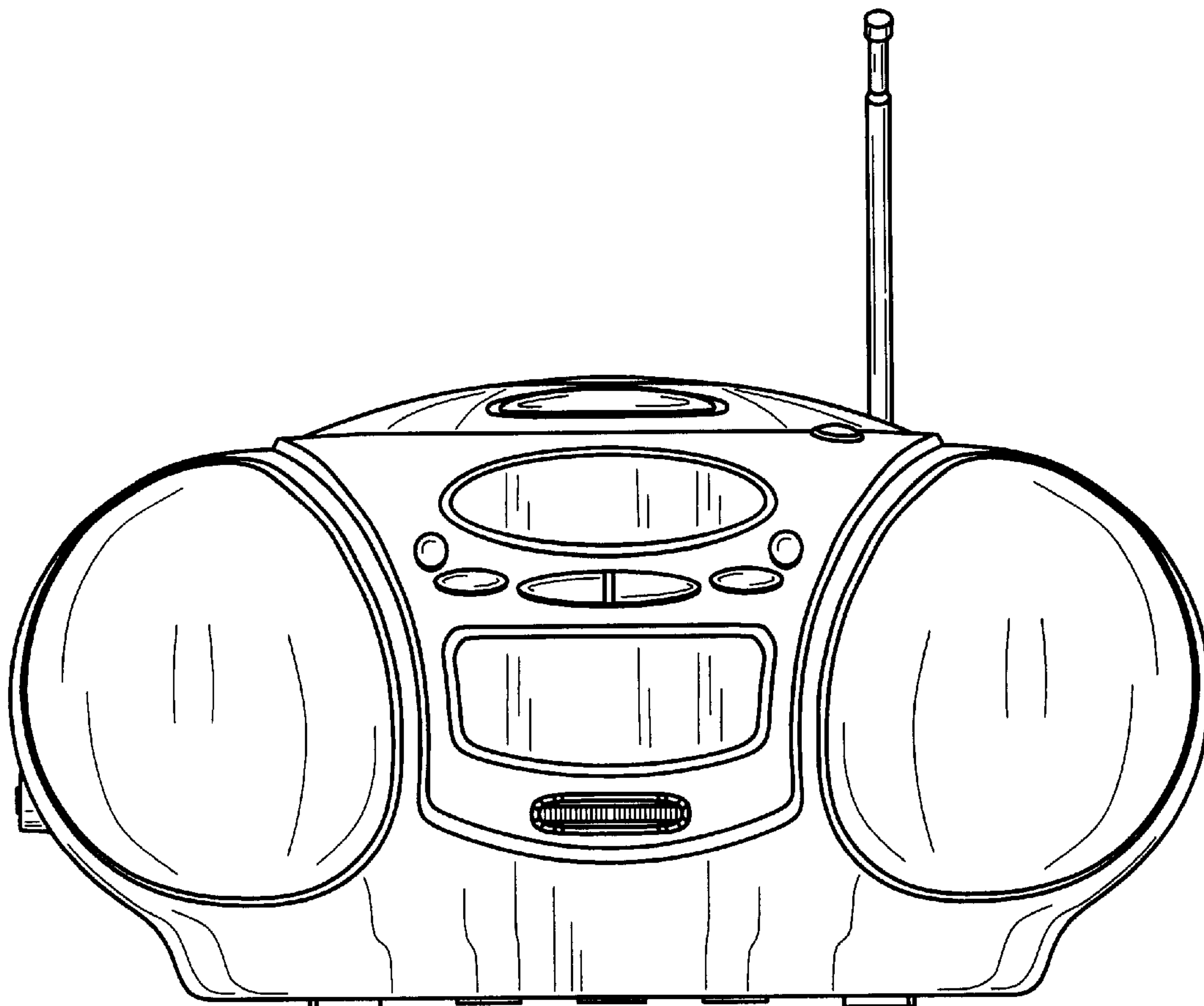


FIG. 1

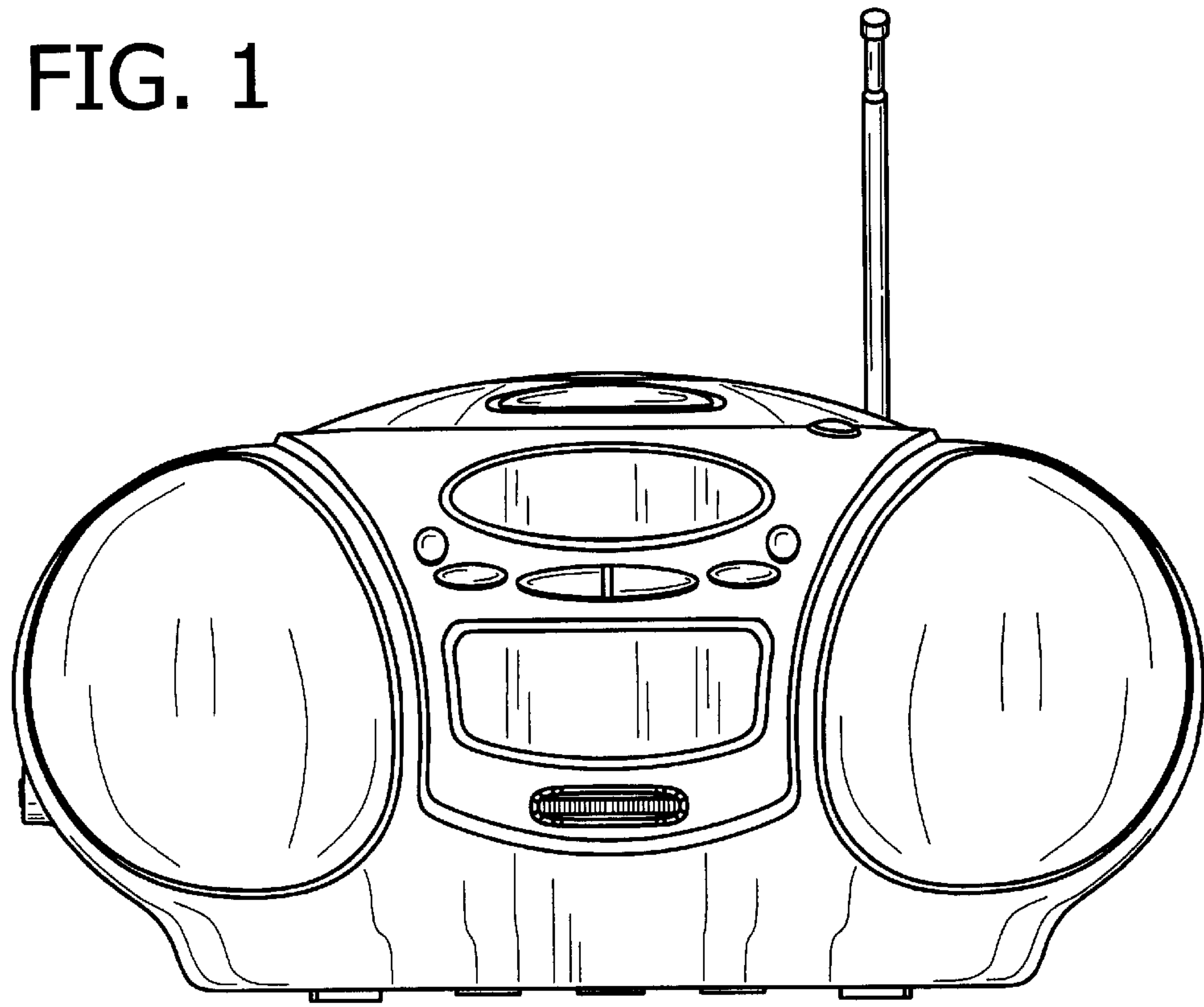


FIG. 2

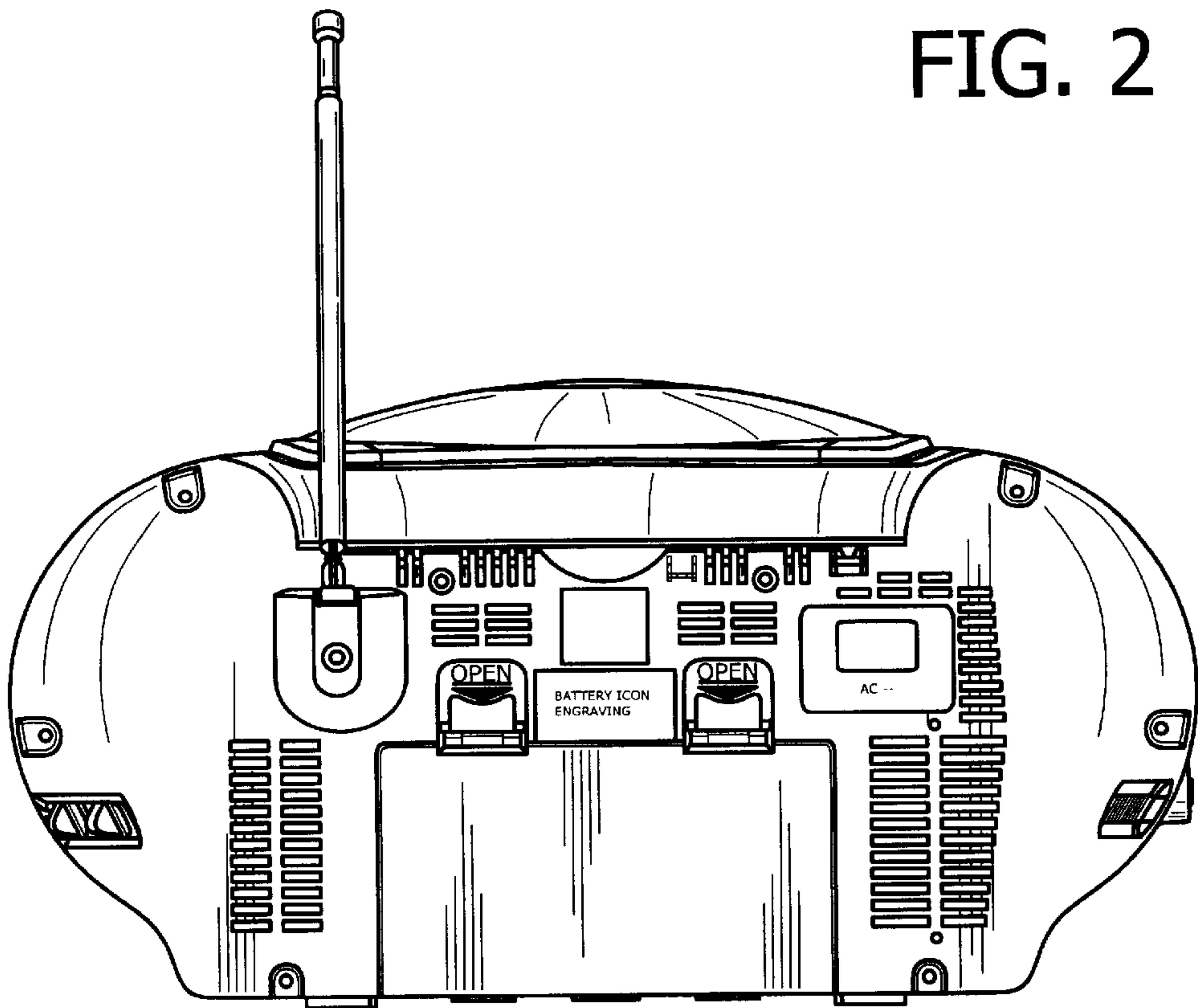


FIG. 3

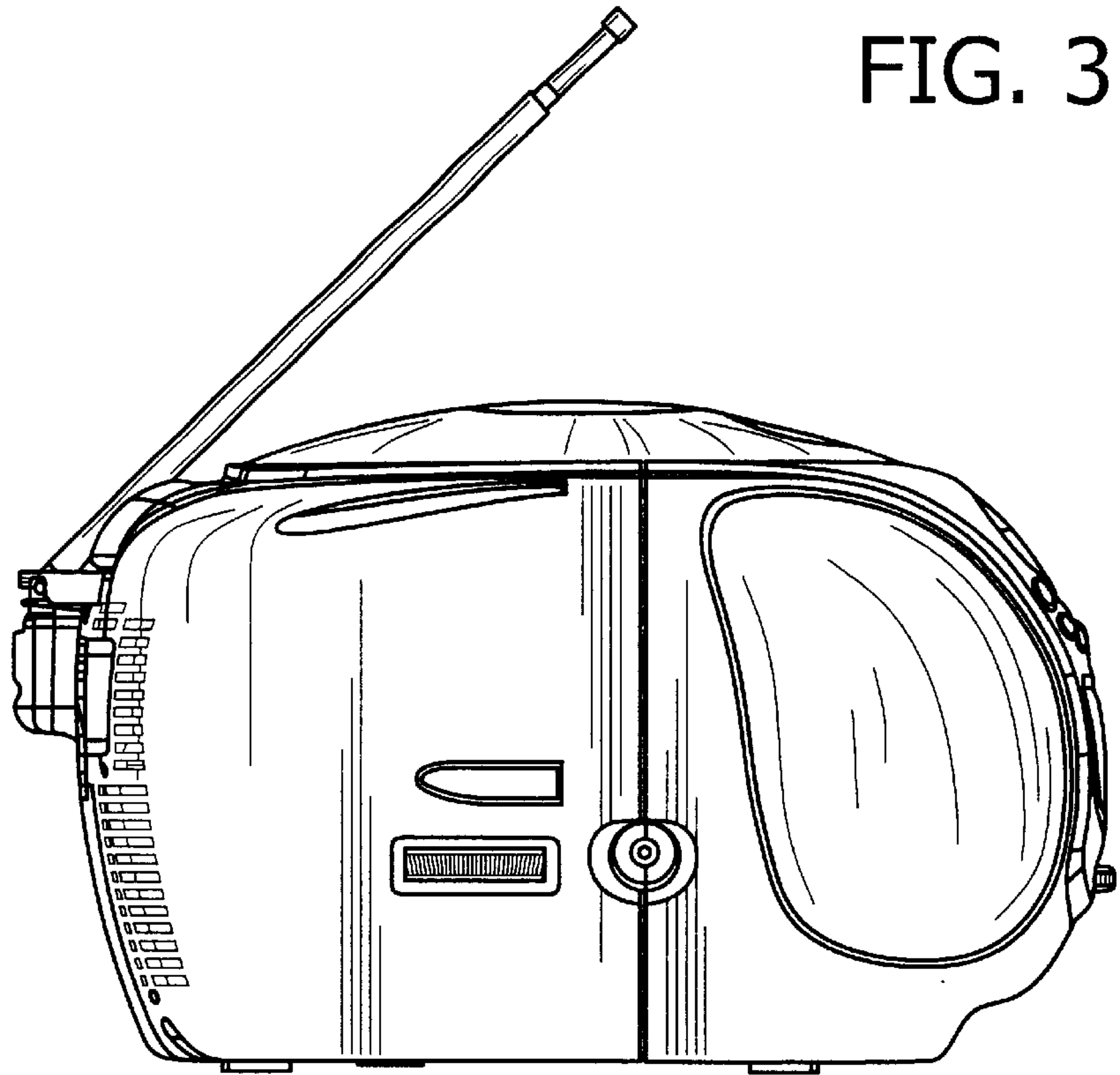
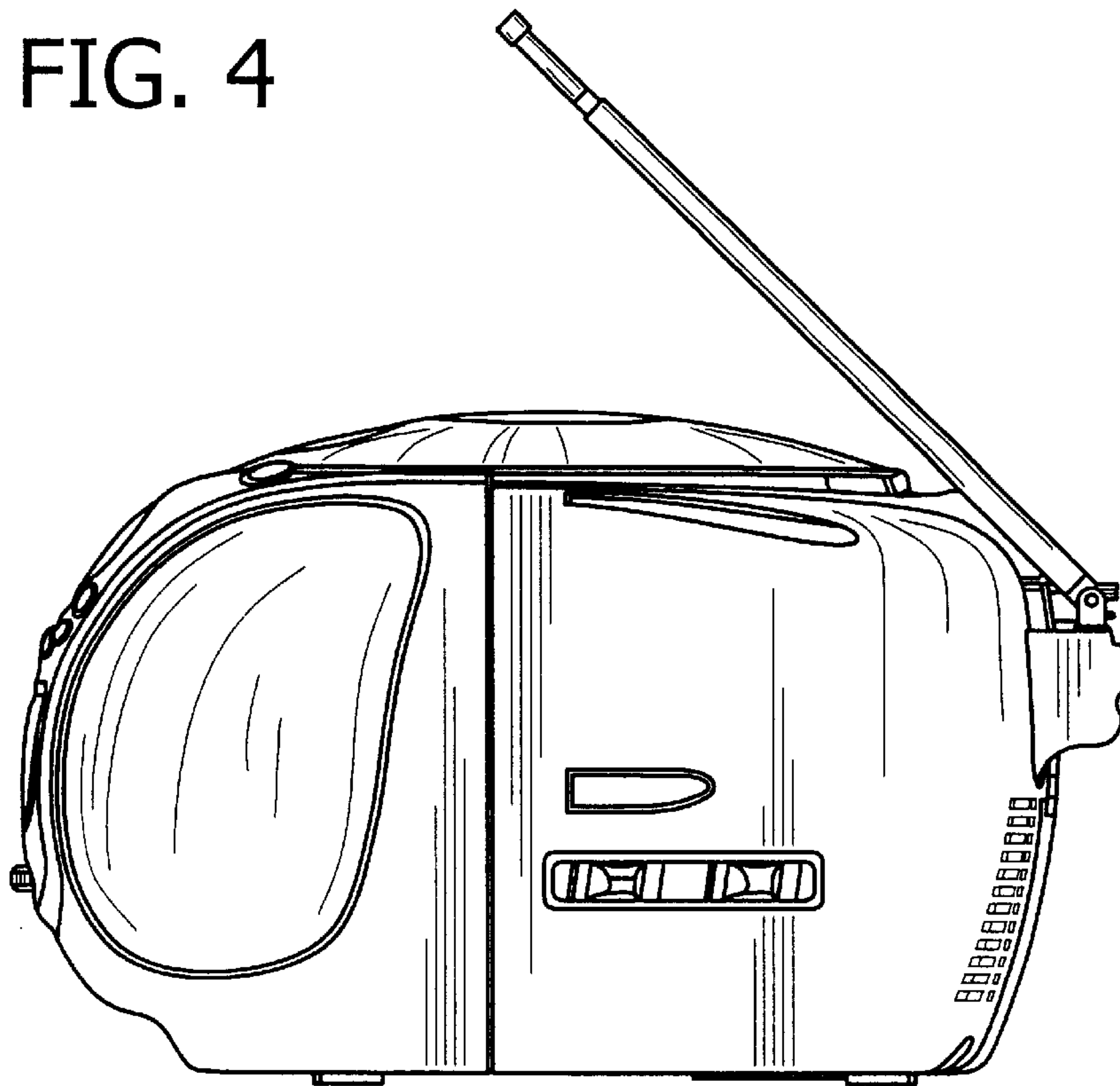


FIG. 4



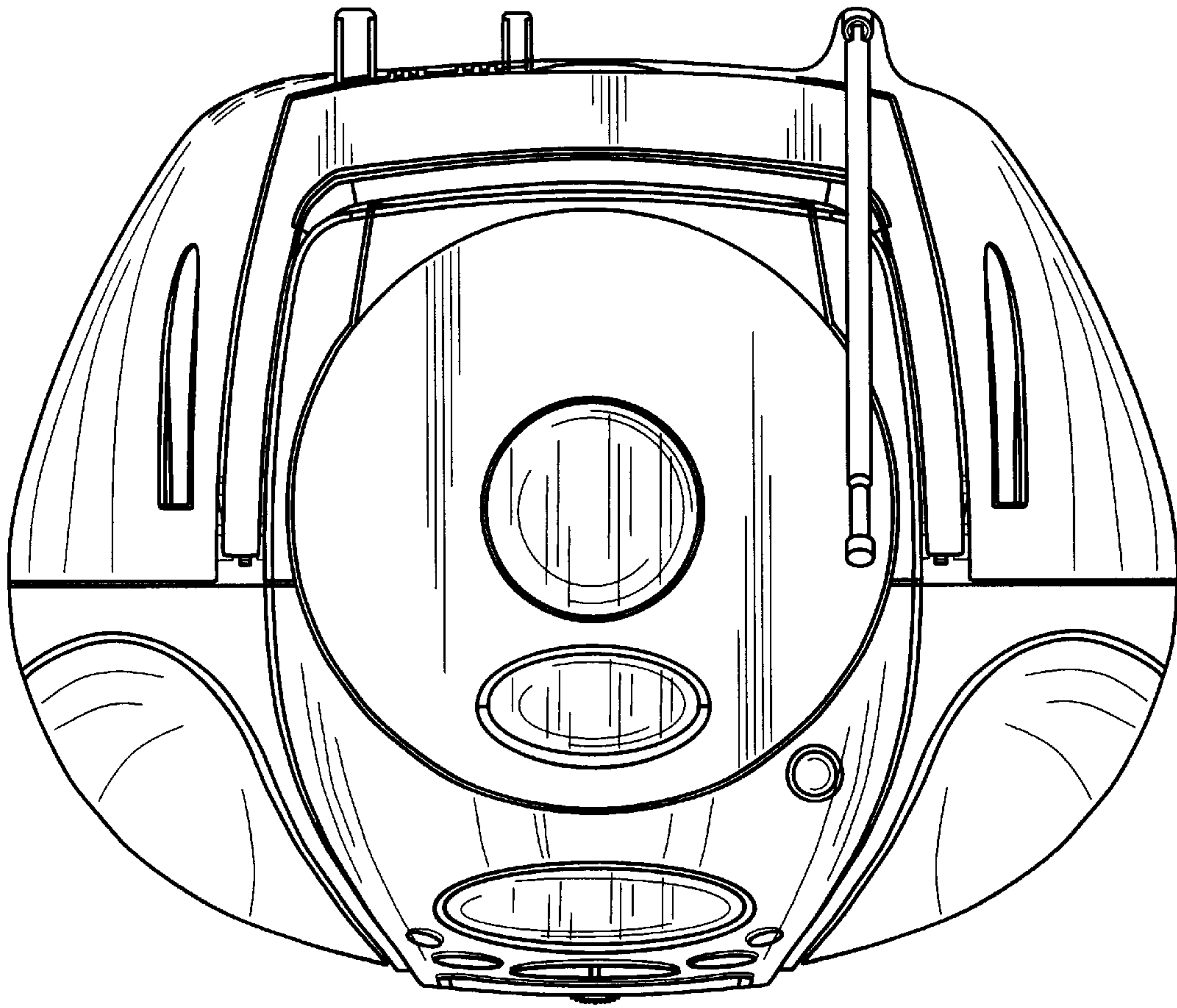


FIG. 5



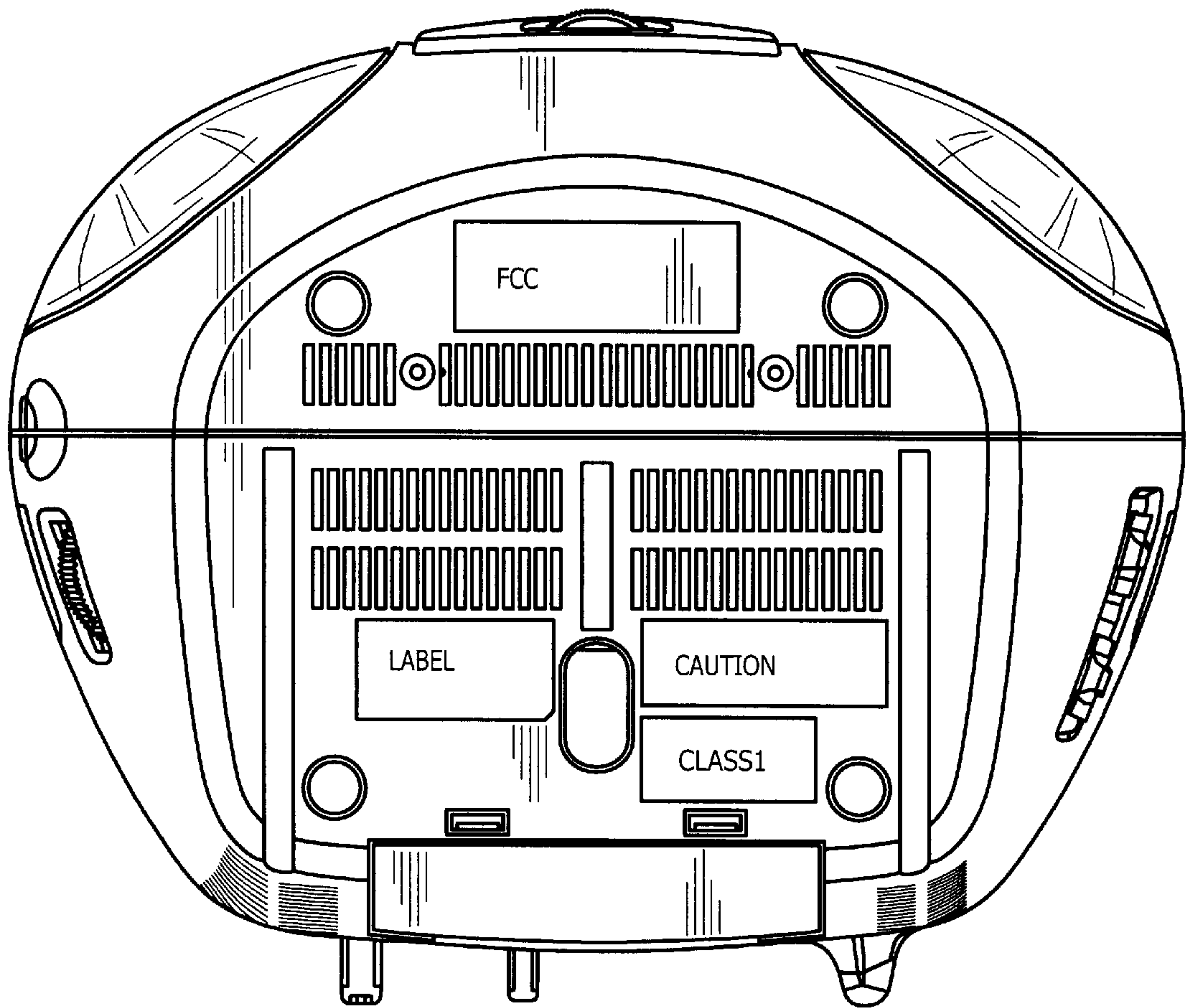


FIG. 6